

10 : 00

estimated
assembly time



2 or more

people required

Ok, let's
get started!



- Put on mood music!
- To prevent damage to product, use the clean side of package carton or rug as working surface.
- In the event of missing or damaged parts, delivery problems etc., please reach out to our team.
We will be happy to fix the problem!

care guide

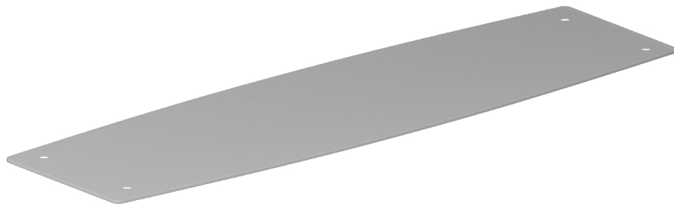
- Clean regularly with a soft and dry cloth.
- To protect finish, avoid use of abrasive cleaners.
- Wipe up spills immediately. Please!



ⓘ While assembling the product, tighten the bolts up to 50%. Once all parts are in place, only then fully tighten the bolts.



product parts



(A)
Table glass
x2



(B)
Metal Top
x4



(C)
Middle Metal Pipe
x4



(D)
Metal Leg
x4

what's included



(E)- Washer
x16

assembly instructions

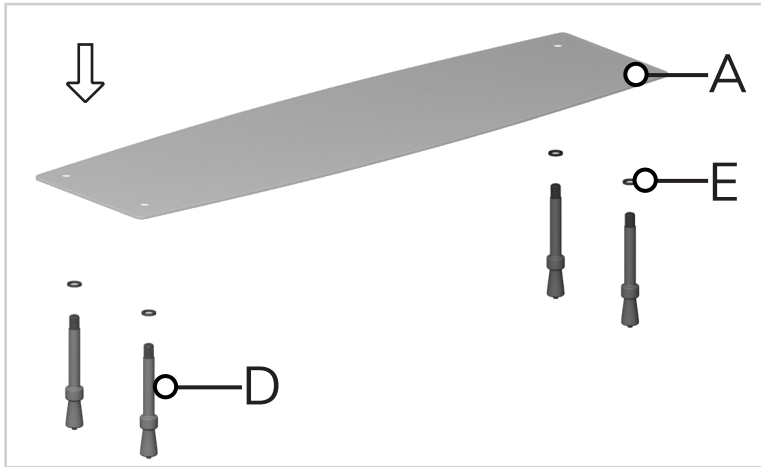
Friendly Tip: Take a deep breath going in. This may be a tricky part, but nothing too overwhelming. Just follow these steps to the T and the outcome will be worth it!



- ⓘ While assembling the product, tighten the bolts up to 50%. Once all parts are in place, only then fully tighten the bolts.

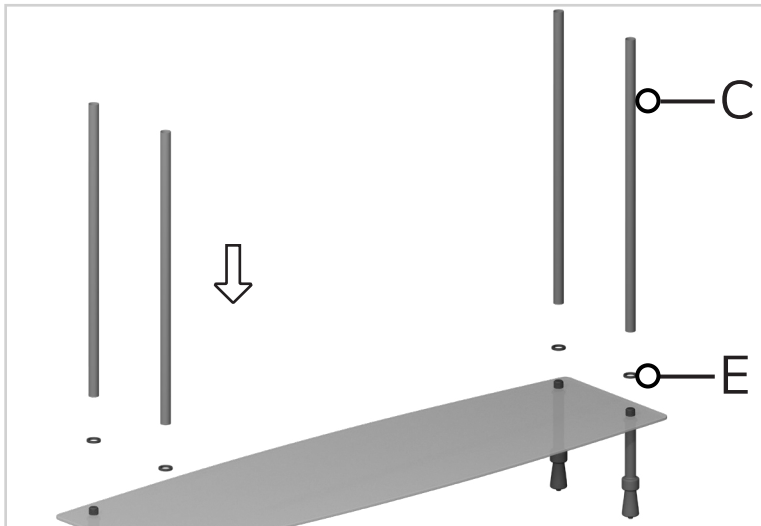
step 1:

Start by aligning the table glass (A) with Washer (E) and Metal Legs (D) as shown below.



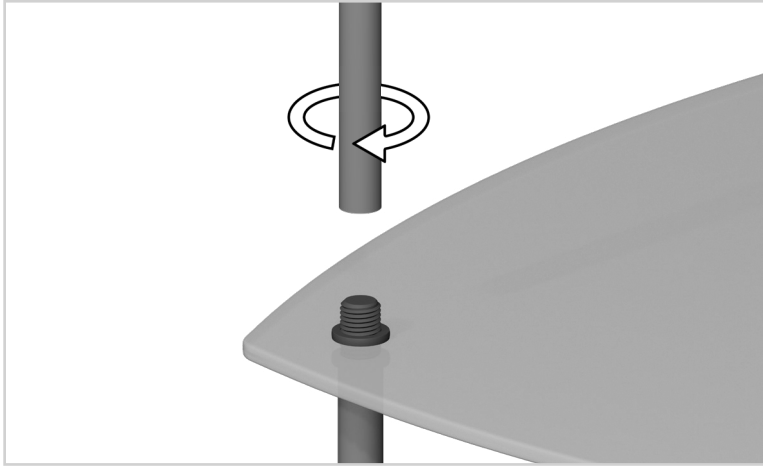
step 2:

Now, take the Middle metal pipes (C) and align with the other parts as shown in the image below.



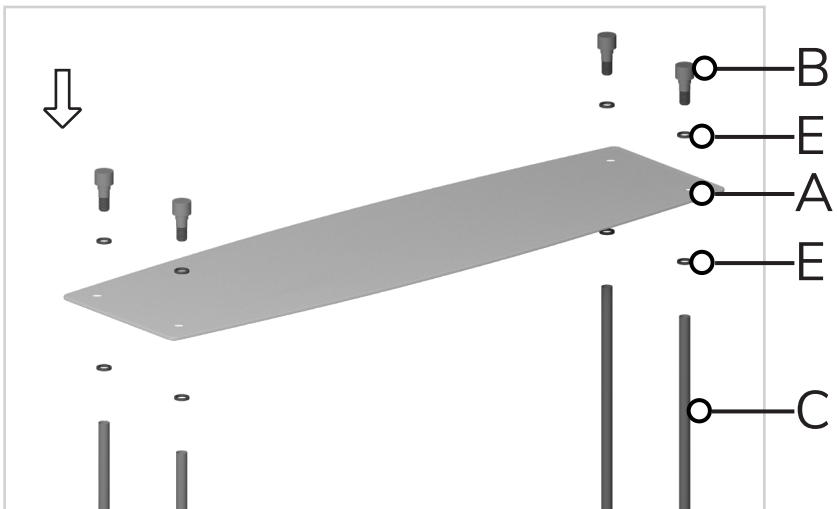
step 3:

Fix the structure by rotating metal pipes (C) in the clockwise direction.



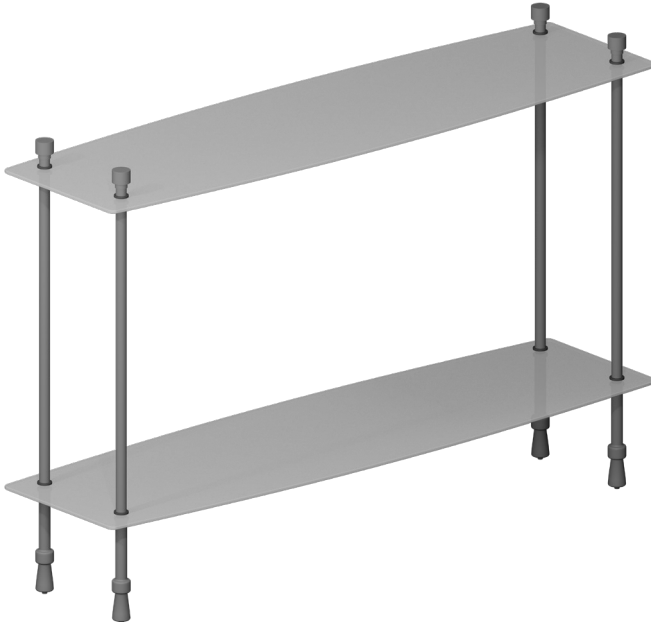
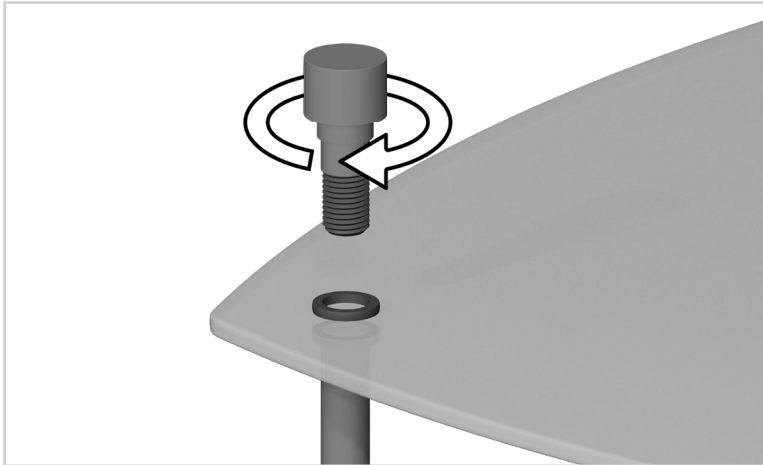
step 4:

Similarly, align the remaining components in the following order: silicon washer (E), table glass (A), washer (E) and finally table top metal (B) as shown below.



step 5:

Fix the structure by table top metal (B) in the clockwise direction. Check if all the parts are tighten upto 100%.



Voila! Your table is now assembled and secure!

you've
got
a home
with us

