











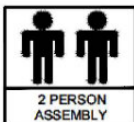
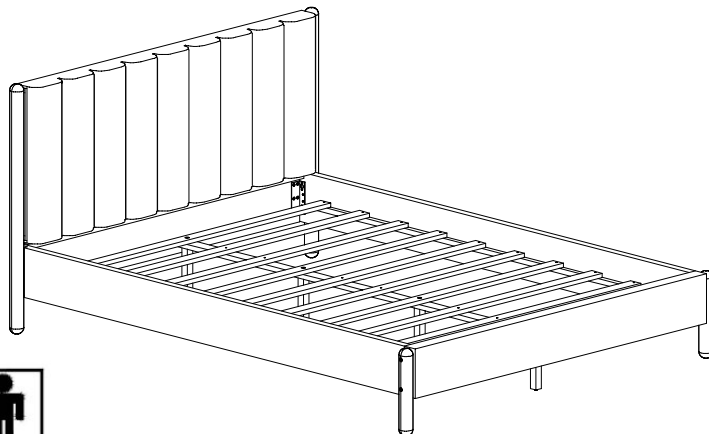
# Assembly Instructions

**Caution : You must read this before you proceed**

## Care & Maintenance

- ⊘  • Not for commercial use. For residential use only.
- ⊘  • Do not put hot items directly on furniture surface.
- ⊘  • Do not clean furniture with harsh cleansers or polish.
- ⊘  • Do not place furniture under direct sunlight.
- ⊘  • Do not place furniture near heating or cooling vents.
- ⊘  • Do not write on furniture without a padded barrier to protect the surface.
- ⊘  • Do not place furniture outside . For indoor use only.
- ⊘  • Stains may be removed with mild soap solution and damp cloth.
- ⊘  • Children should not climb or jump on the furniture.
- ✓  • Dust and pick-up spills using a clean, non-colored, lint-free cloth.

## Queen Bed





# WARNING

## STRANGULATION HAZARD.

NEVER place bed near windows where cords from blinds or drapes may strangle a child.  
 NEVER suspend strings over bed.  
 NEVER place items with a string, cord, or ribbon, such as hood strings or pacifier cords, around a child's neck. These items may catch on bed parts.  
 ALWAYS follow assembly instructions.



# WARNING!

Not intended for children under the age of six. INFANTS HAVE DIED FROM BECOMING ENTRAPPED IN BEDS. Openings in and between bed parts can entrap the neck and head of a small child. NEVER use bed for child under the age of six.

The mattress must be appropriately sized for the bed. If the mattress is undersized, dangerous gaps can exist and a person can become entrapped or entangled in the frame and suffocate.

NOTE: This Bed is NOT a TOY.

Keep your child/children at bay during the assembly process.

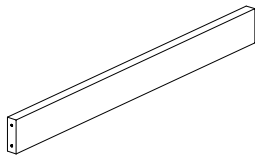
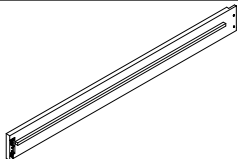
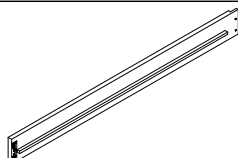
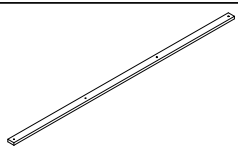
The BED is HEAVY.

To prevent injury to yourself or damage to the product a minimum of two adults are required whenever moving or lifting it.

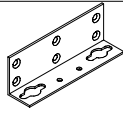
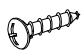
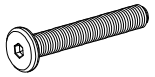
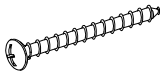
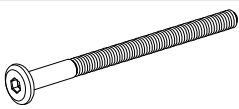
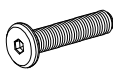

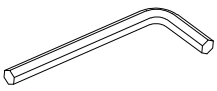
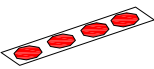
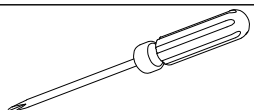
## Parts List

Label	Picture	Description	QTY
A		Headboard A	1
B		Headboard B	1
C		Headboard Leg	2
E		Footboard Leg	2
F		Slats	6
F1		Slats	4
J		Center Leg	4

# Parts List

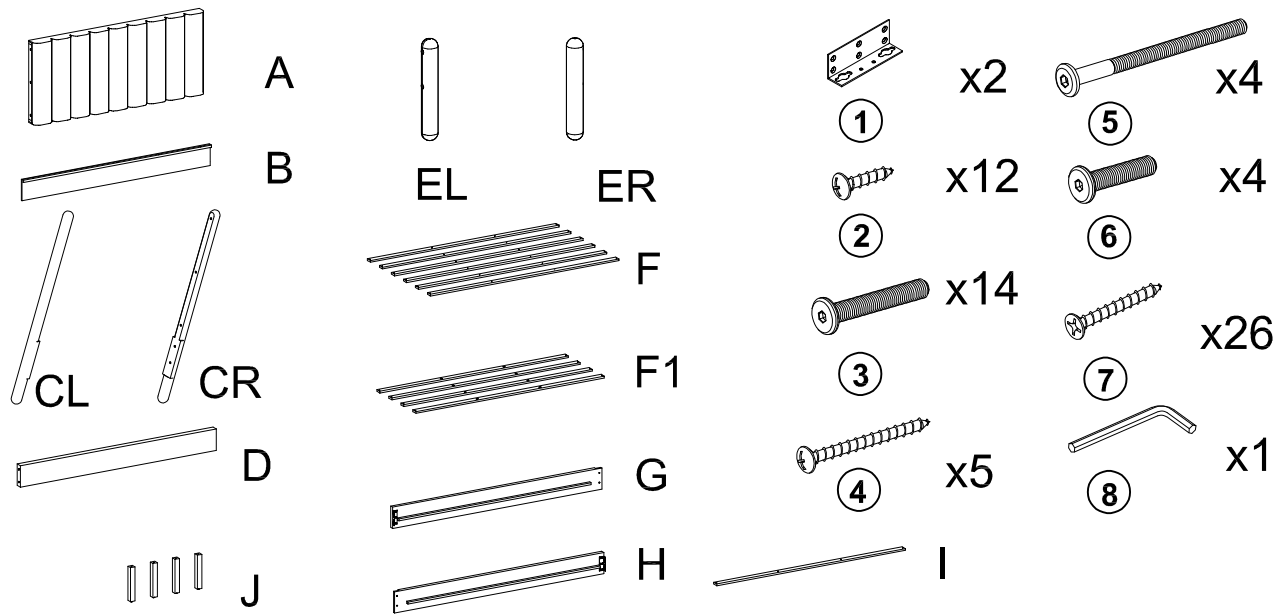
D		Footboard	1
G		Side Rail	1
H		Side Rail	1
I		Center Rail	1

## Hardware

Label	Picture	Description	QTY
①		Steel Bracket	2
②		Screws (M3.5 x 12 mm)	12
③		Bolt (Ø1/4" x 50 mm)	14
④		Screws (M4 x 40 mm)	5
⑤		Bolt (Ø1/4" x 90 mm)	4
⑥		Bolt (Ø1/4" x 30 mm)	4
⑦		Screws (M4 x 30 mm)	26
⑧		Allen Wrench	1
⑨		Stickers	1
⑩		Screwdriver (Not provided)	1

## Assembly Preparation

Before Beginning Assembly:



- Read instruction, cover to cover.



- Have 2 adults on hand for assembly.



- Do not assemble on flooring or carpet.



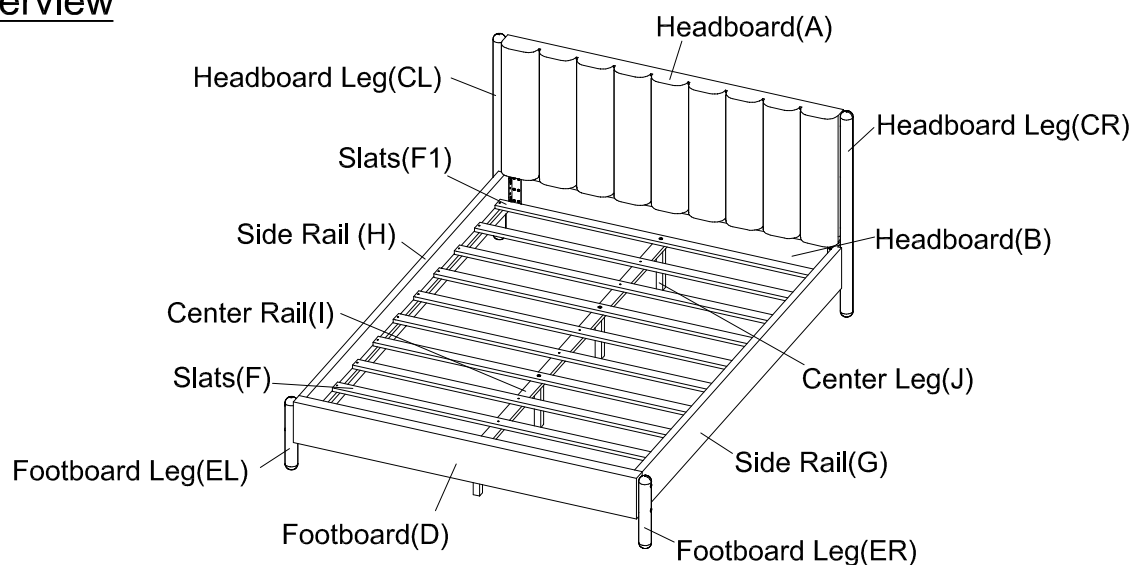
- Assemble on a clean non-marring surface (packing foam).



- Save all packaging until finished.

## Assembly Steps

### Overview



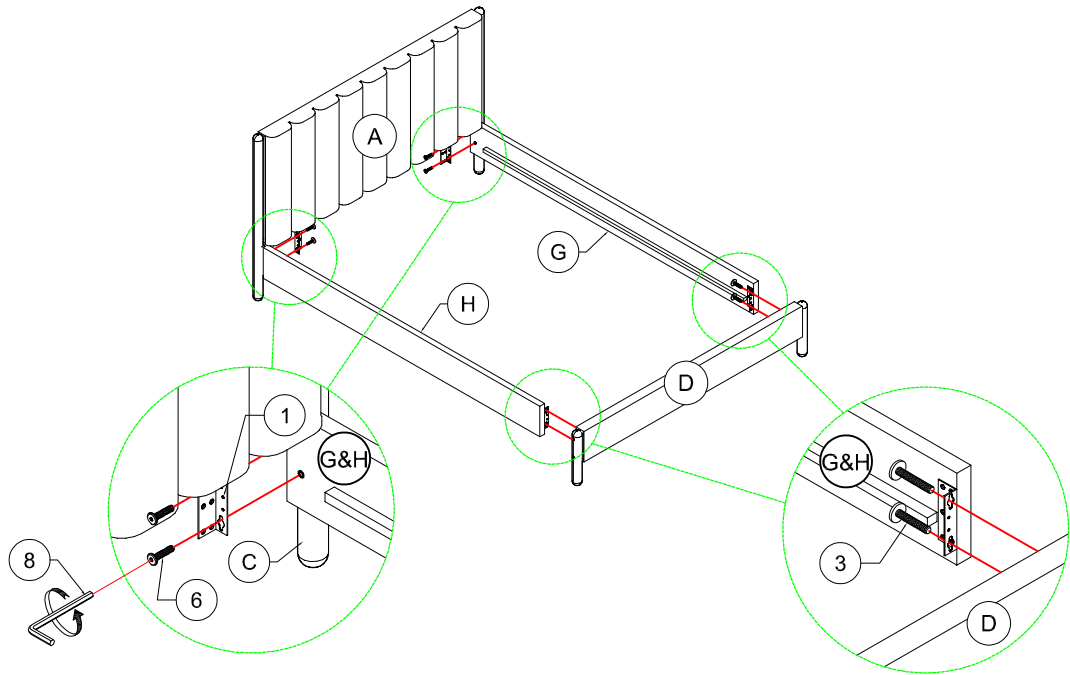
FRONT FACING

This Bed has multiple parts and may require up to 30 minutes to assemble. To give you an overview of the Bed parts, the above picture is provided to help you put the various parts into perspective. Please read through the instructions below to familiarise yourself with the parts and steps before assembly.



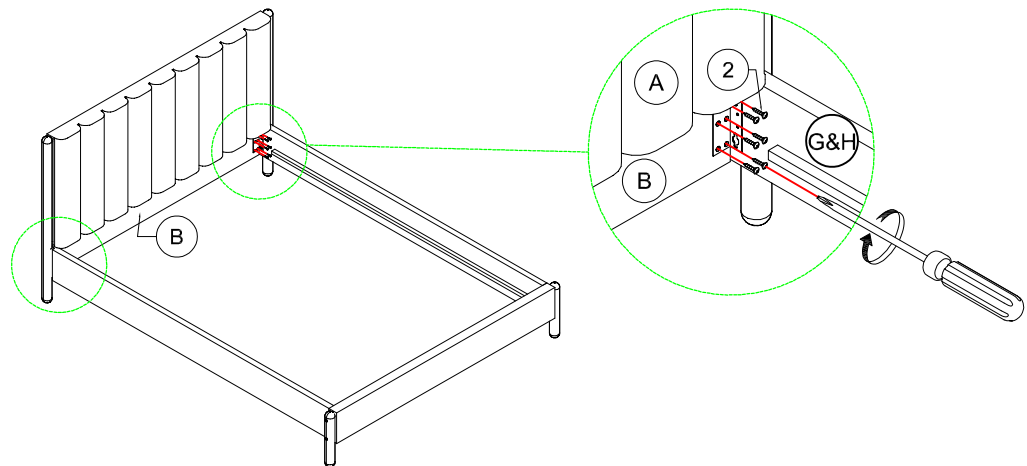
Align the Mounting Position of Footboard Leg (E) into the Mounting Position of Footboard (D) as shown above. Affix the Footboard Leg (E) to Footboard (D) by using using Bolts (⑤) with Allen Wrench (⑧).

#### Step 4



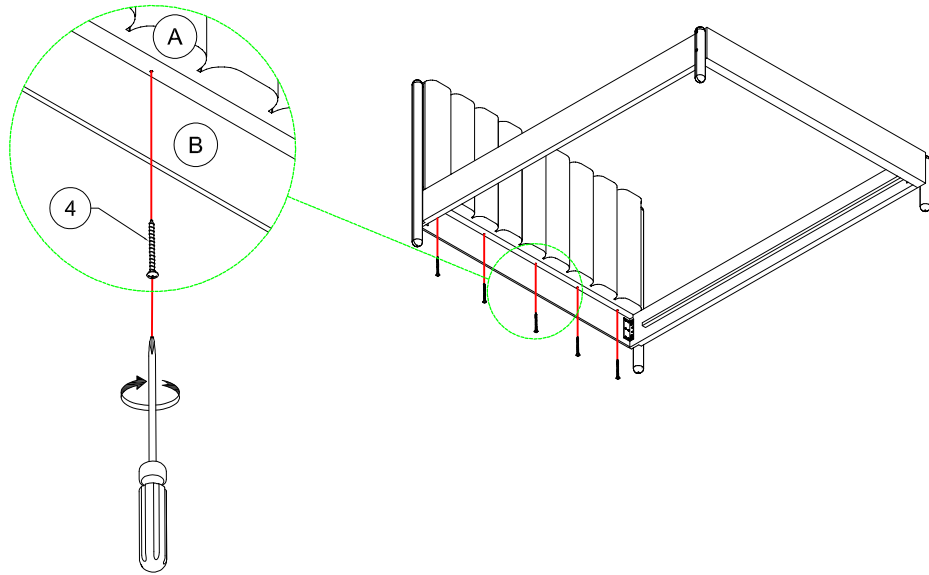
With the help of your partner, stand the completed Headboard from Step 2 and the Footboard (D) from Step 3 upright as shown in the picture above. Affix the Side Panels (G) and (H) to the Headboard Leg (C) and Footboard (D) using Steel Bracket (①) Bolts (③),Bolts (⑥) with Allen Wrench (⑧).

#### Step 5



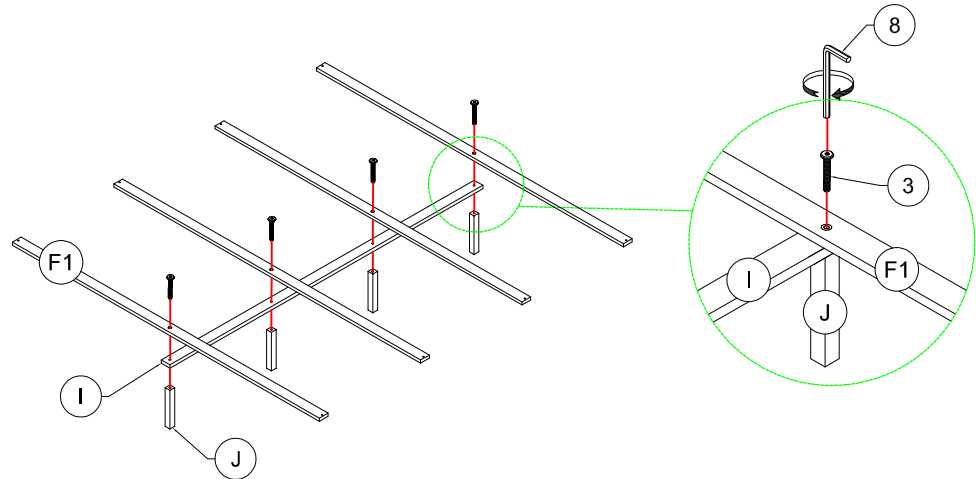
With the help of your partner, keep the Headboard (B) parallel to the Headboard (A). Then, secure it to the steel bracket (①) by using Screws (②) and a Screwdriver (Not Provided).

## Step 6



Using Screws (④) and a Screwdriver (Not Provided) to secure the Headboard (B) to the Headboard (A) from below at the pre-drilled hole positions. Be sure to turn the Screwdriver straight.

## Step 7

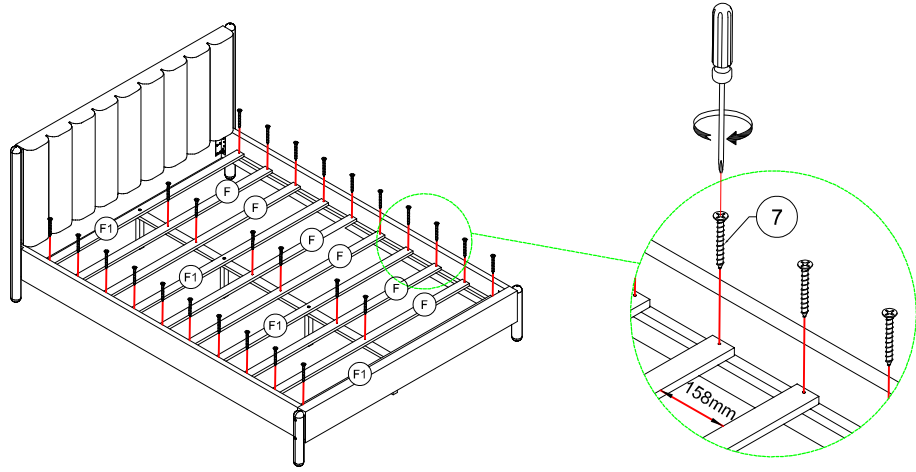


Align the Mounting Position on the Center Rail (I) to the Center Leg (J) and the Slat (F1). Attach the Slat (F1) and the Center Rail (I) to the Center Leg (J) and by using Bolts (③), with Allen Wrench (⑧).

**Only attach the 4pcs Center Legs (J) on this step, 2pcs mounting position near iron panel on Center Rail (I) will be assembled on Step 8.**

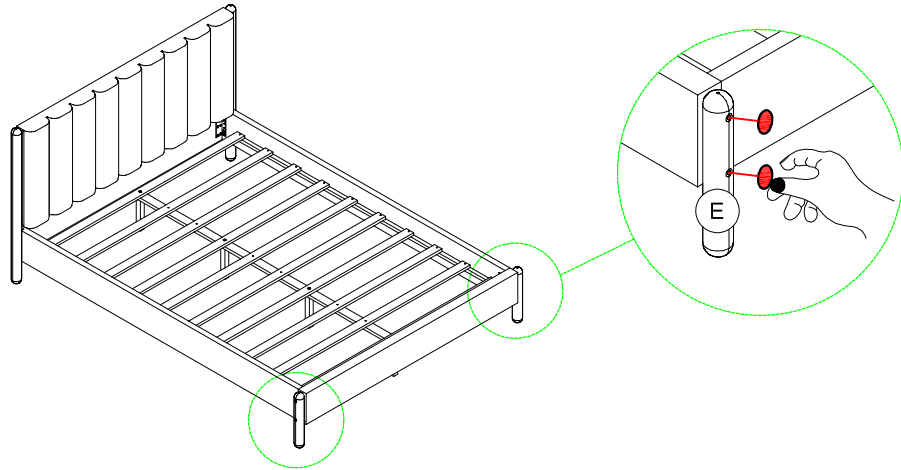
**DO NOT FULLY TIGHTEN BOLTS IN ONE GO, TIGHTEN THE BOLTS AFTER 4PCS Center Legs (J) ARE ATTACHED.**

## Step 8



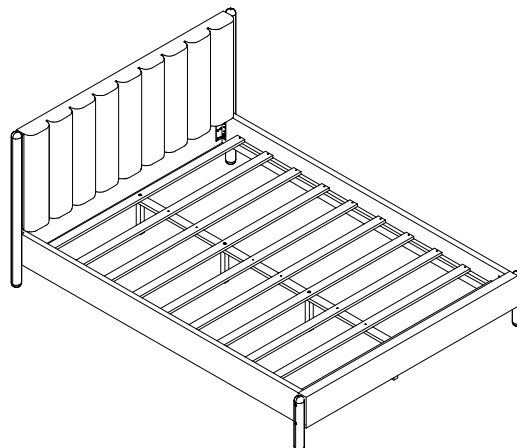
Attach all Slats (F), (F1) to the rail on Side Panel (G), (H) by using Screws (7) and Screwdriver (Not Provided).

## Step 9



Apply Sticker (9) to cover the bolt holes on the Footboard Leg (E).

## Step 10



Place the Bed on a LEVEL SURFACE.  
Inspect it and make sure all parts are adequately connected.

**Don't push too hard, shake on the bed.**

This would help to align all the parts at all the joint areas.

**CAUTION 1: When tightening these screws, tighten sequentially.**

**DO NOT tighten any screw fully and then towards the next one.**

**This would cause the frame to warp.**

**If there is still wobbles, loosen the screws and execute this same process. DO NOT tighten any screw fully and then towards the next one.**

**WARNING!! IF BED IS NOT STABLE , IT COULD LEAD TO DAMAGING THE PRODUCT.**

Ensure all screws are fully locked into position.

The bed is ready to be used.

**Caution 2: This bed can only be used on a flat, level surface.**