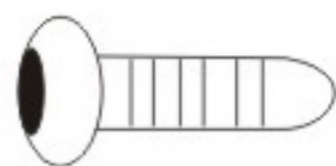


ASSEMBLING INSTRUCTION

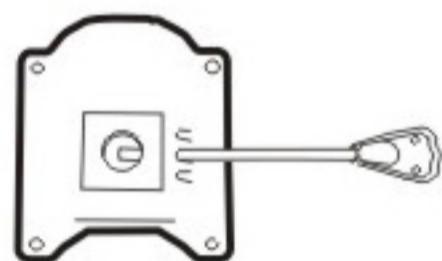
(1) ×1



(5) ×4



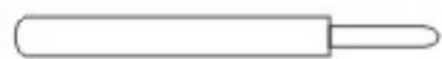
(2) ×1



(6) ×5



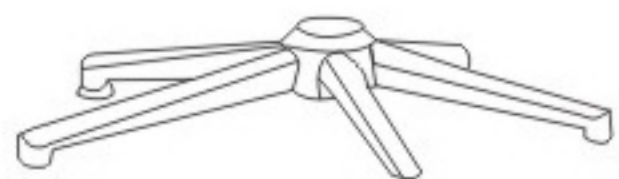
(3) ×1



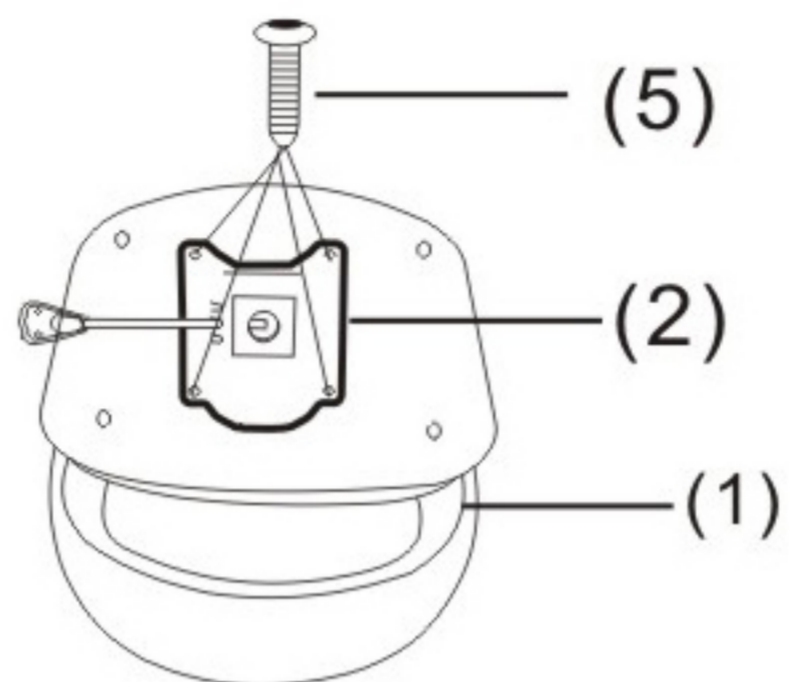
(7) ×1



(4) ×1

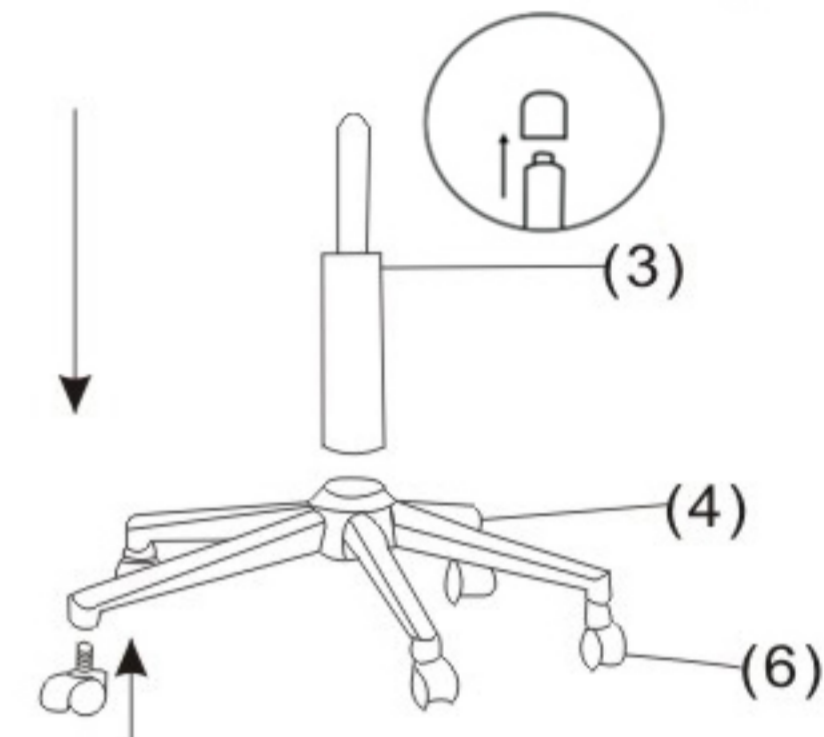


①

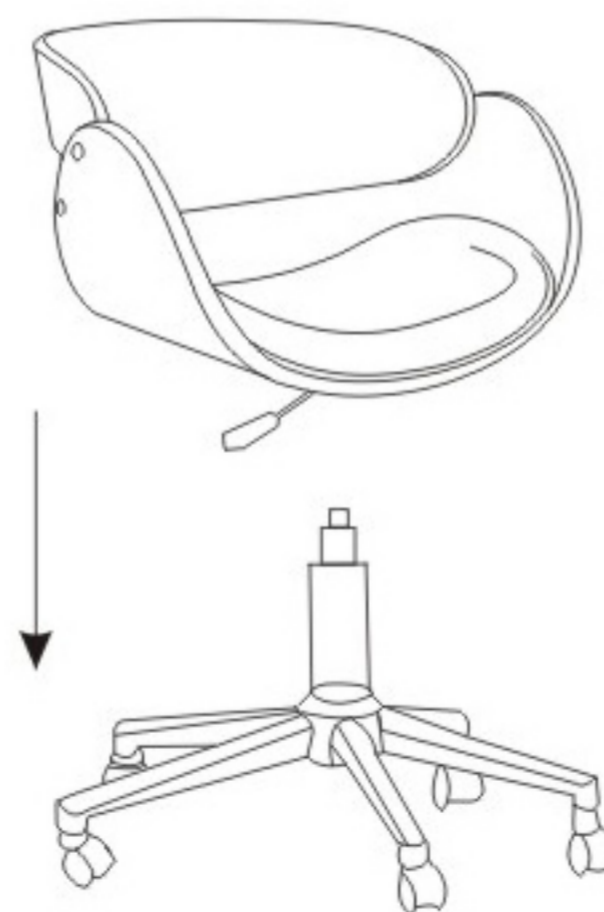


②

Remove cap
from tip of gas lift.



③



④

