

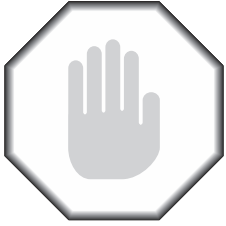


**MANHATTAN
COMFORT**

DR1834



V.08082025

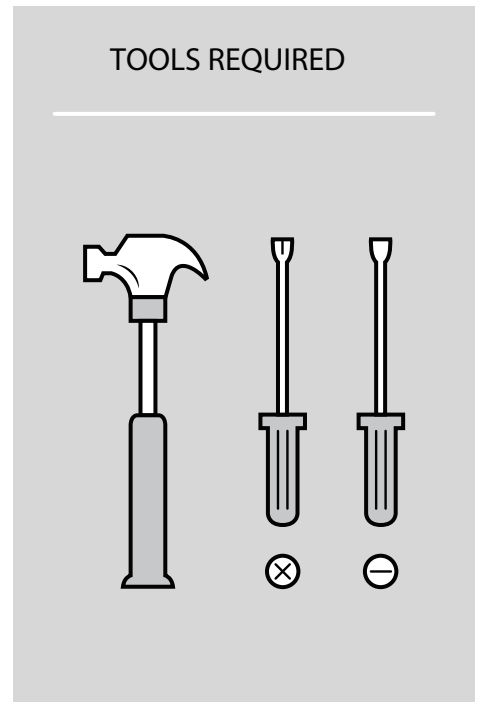
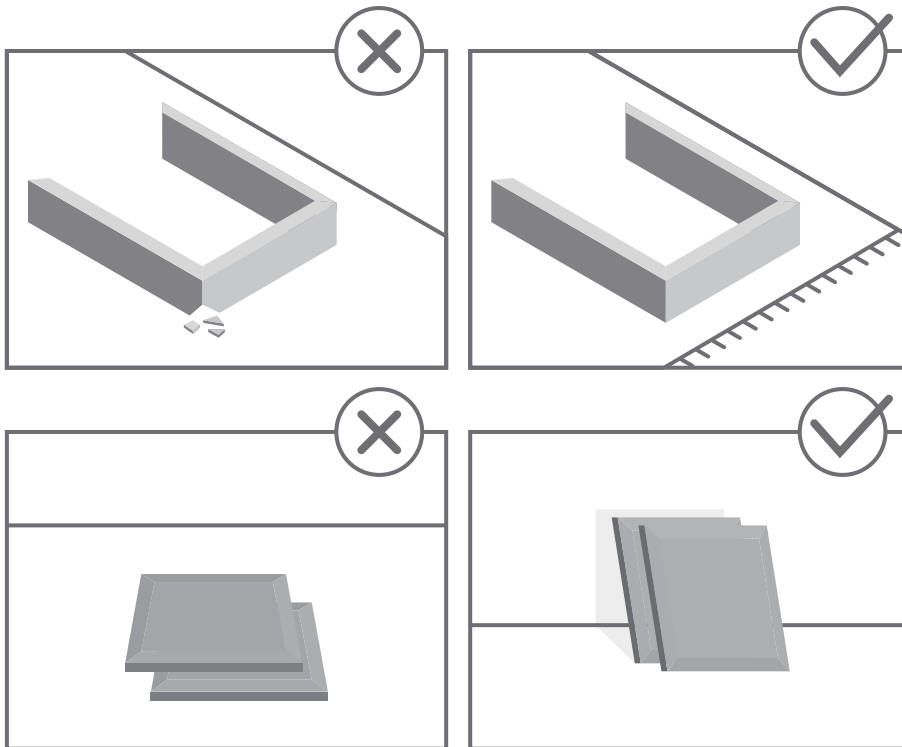


STOP!

Before beginning the assembly process, ensure all boxes and parts have been delivered.

FOR BEST RESULTS:

- Do not throw away packaging materials until assembly is complete.
- Assemble item on a soft surface, such as cardboard or carpet, to protect finish.
- Proper assembly requires two people.



View our assembly video online:
WWW.MANHATTANCOMFORT.COM



Stuck? Question? We are here to help.
tel: 908-888-0818
e-mail: help@manhattancomfort.com

Support Site



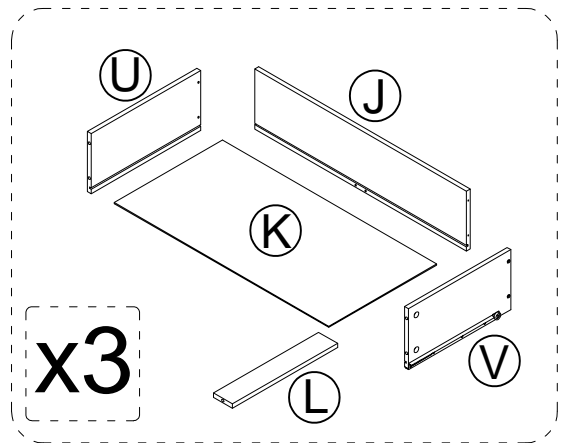
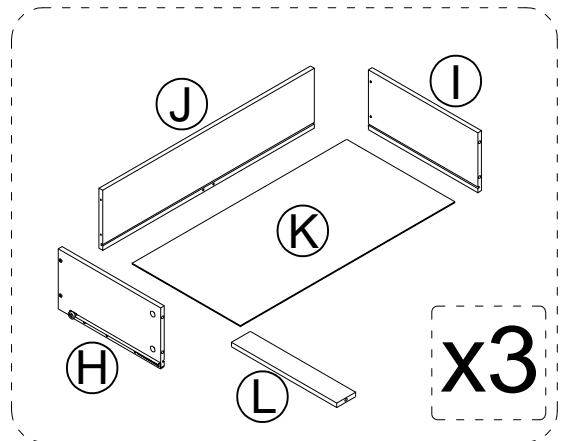
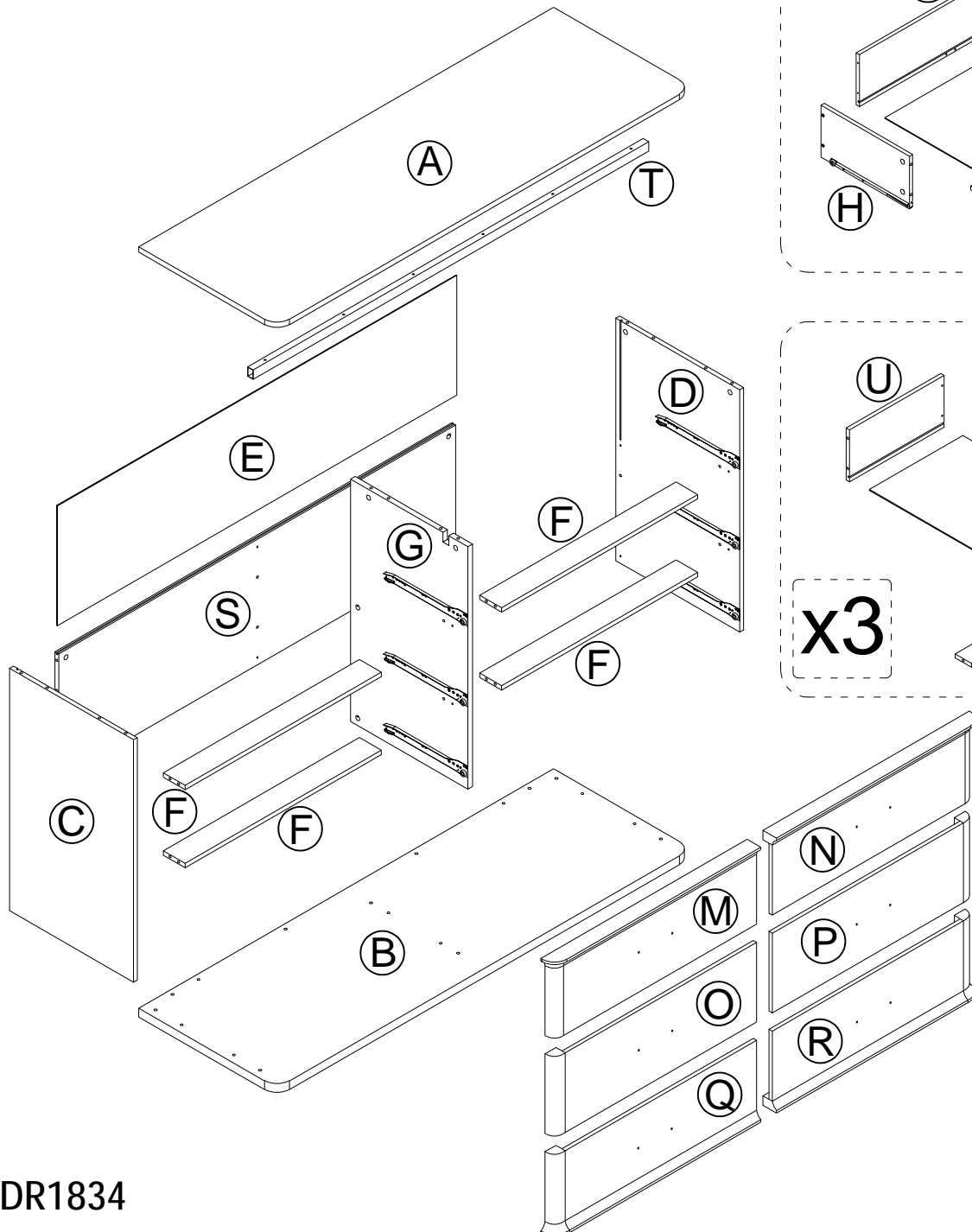
Included in this package:

BOX 01/02

- C. LEFT PANEL (1)
 - D. RIGHT PANEL (1)
 - G. BETWEEN PANEL (1)
 - H. DRAWER LEFT PANEL A (3)
 - I. DRAWER RIGHT PANEL A (3)
 - J. DRAWER BACK PANEL (6)
 - K. DRAWER BOTTOM PANEL (6)
 - L. DRAWER SUPPORT PANEL (6)
 - O. DRAWER LEFT FRONT MIDDLE PANEL (1)
 - P. DRAWER RIGHT FRONT MIDDLE PANEL (1)
 - T. METAL BAR (1)
 - U. DRAWER LEFT PANEL B (3)
 - V. DRAWER RIGHT PANEL B (3)
- ALL HARDWARE ARE IN **BOX 01/02**

BOX 02/02

- A. TOP PANEL(1)
- B. BOTTOM PANEL(1)
- E. BACK UPPER PANEL (1)
- F. FRONT HORIZONTAL PANEL (4)
- M. DRAWER LEFT FRONT UPPER PANEL (1)
- N. DRAWER RIGHT FRONT UPPER PANEL (1)
- Q. DRAWER LEFT FRONT LOWER PANEL (1)
- R. DRAWER RIGHT FRONT LOWER PANEL (1)
- S. BACK LOWER PANEL (1)

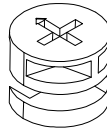


Hardware Identification

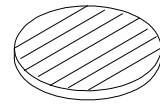
① KD BOLT - 50pcs
L=35mm



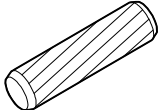
② KD LARGE CAM - 20pcs
Ø15*11mm



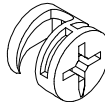
③ COVER CAP - 50pcs



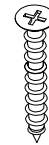
④ WOOD DOWEL-28pcs
Ø8*30mm



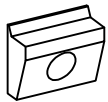
⑤ KD SMALL CAM - 30pcs
Ø15*9mm



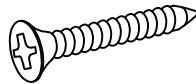
⑥ SCREW - 36pcs
Ø4*38mm



⑦ PLASTIC WEDGE - 10pcs



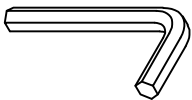
⑧ SCREW - 10pcs
Ø3*17mm



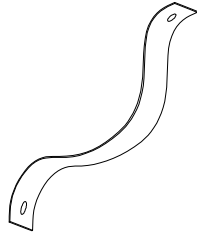
⑨ SCREW - 10pcs
Ø6*50mm



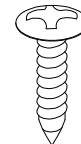
⑩ LOCK - 1pc



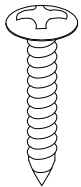
⑪ STRAPS - 2pcs



⑫ SCREW - 2pcs
Ø4*18mm



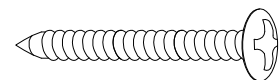
⑬ SCREW - 2pcs
Ø4*25mm



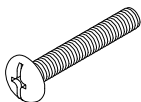
⑭ PLASTIC - 2pcs



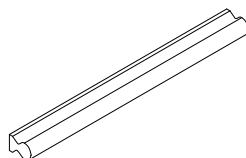
⑮ SCREW - 6pcs
Ø4*40mm

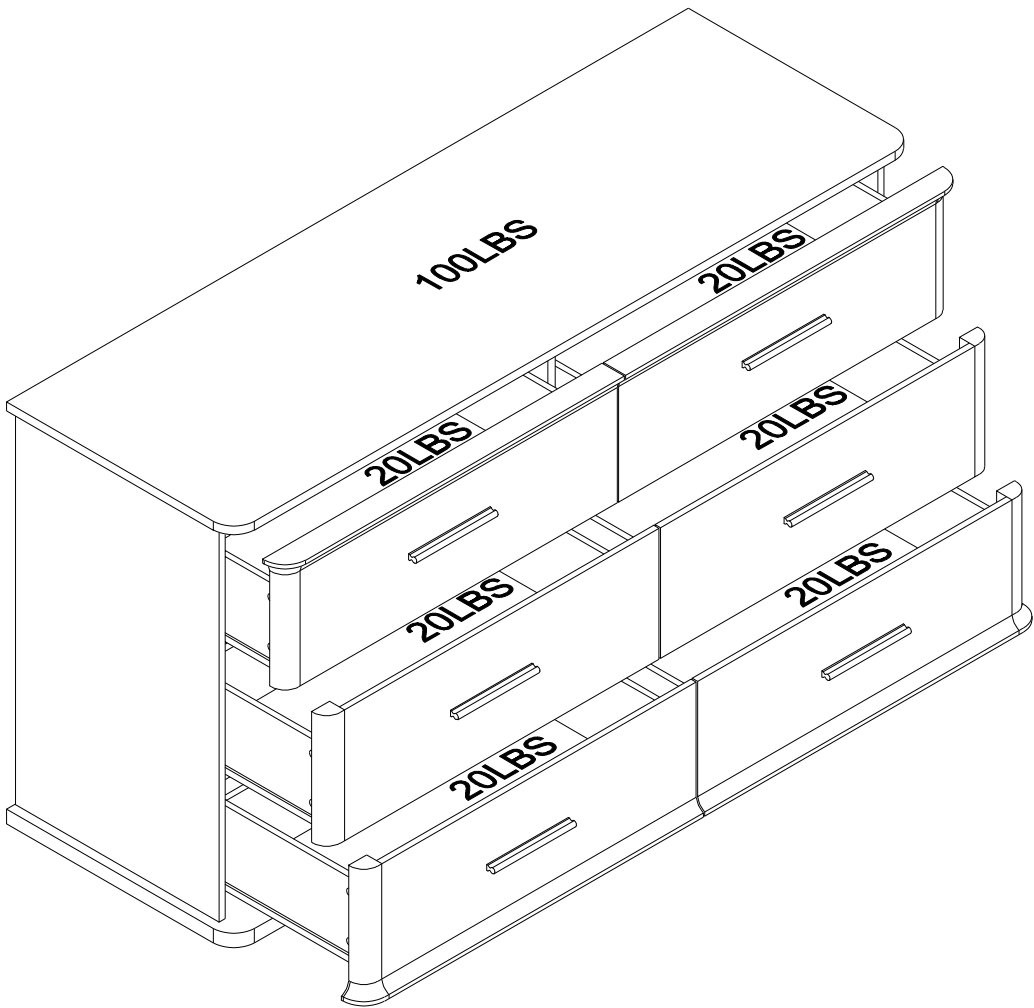


⑯ BOLT - 12pcs



⑰ HANDLE - 6pcs





Step 1:

* Insert Fourteen KD BOLT (1) to the TOP PANEL (A), LEFT PANEL (C) and RIGHT PANEL (D).

* Assemble The METAL BAR (T) to the TOP PANEL (A) with Six SCREW (15).

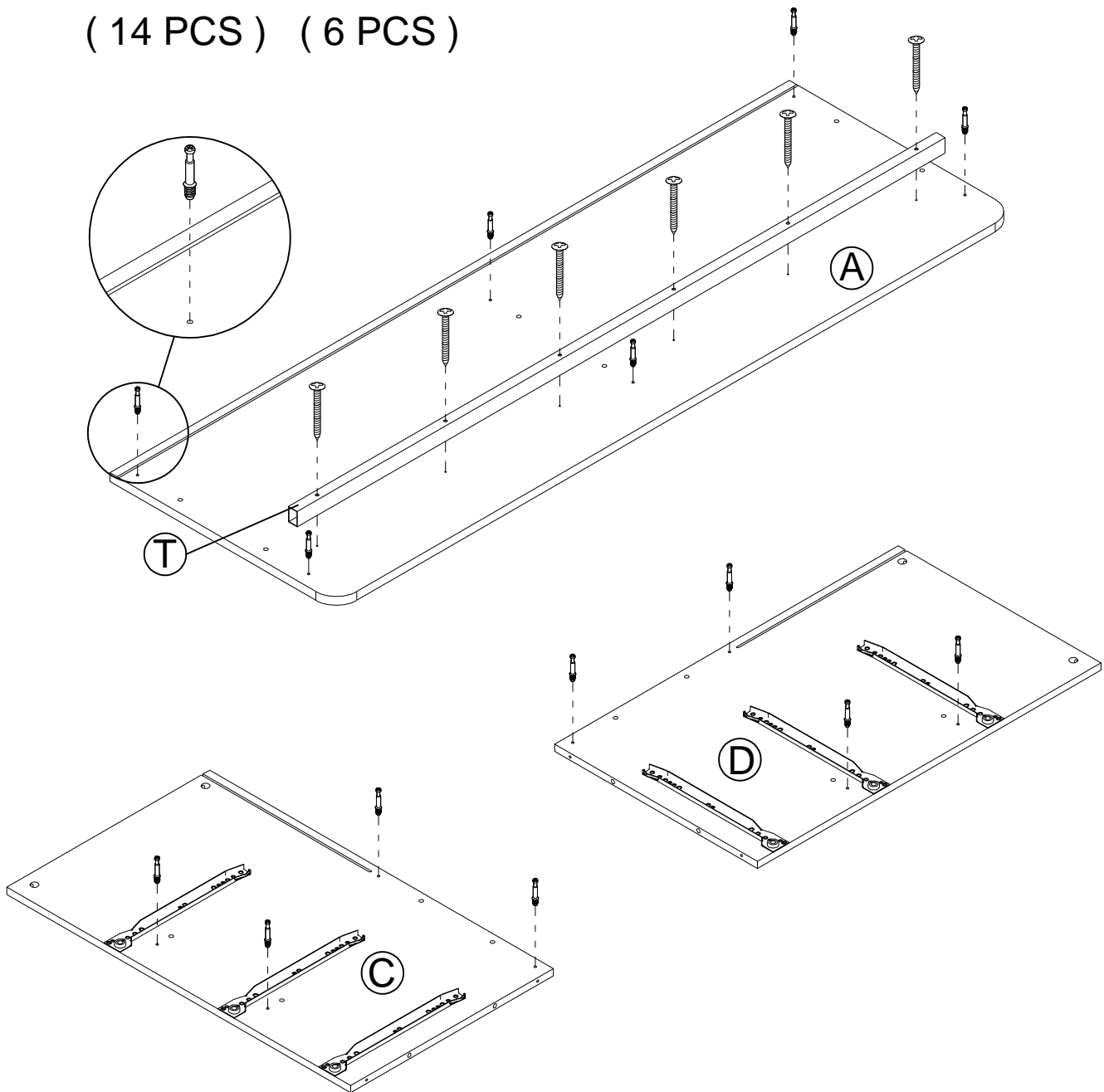
①



⑮

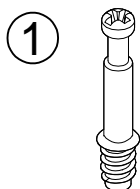


(14 PCS) (6 PCS)

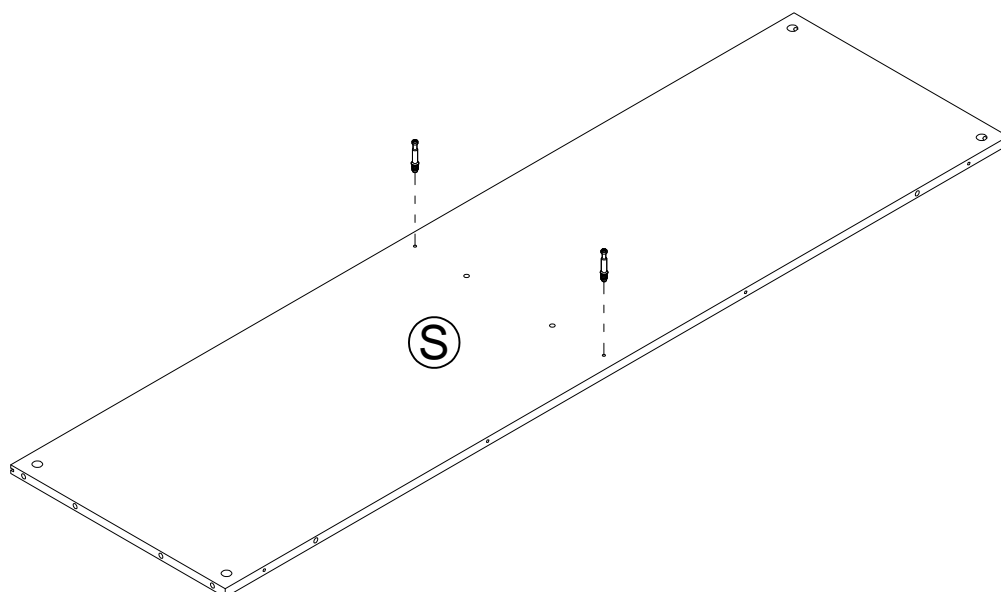
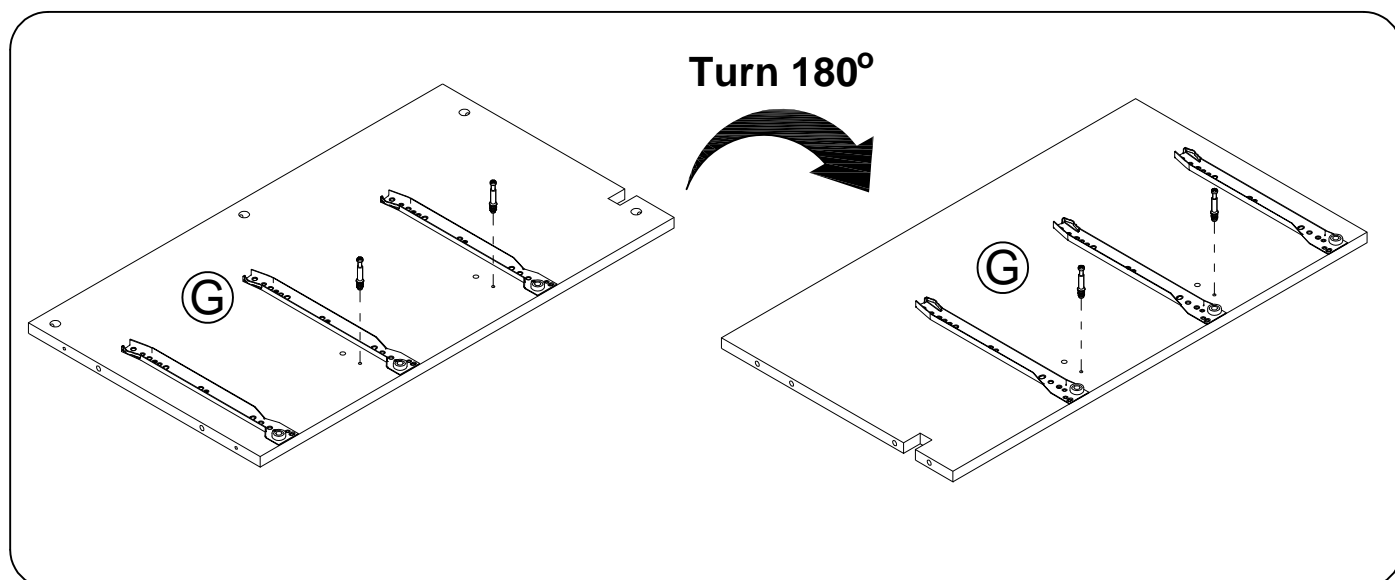


Step 2:

* Insert Six KD BOLT (1) to the BETWEEN PANEL(G) and BACK LOWER PANEL (S).

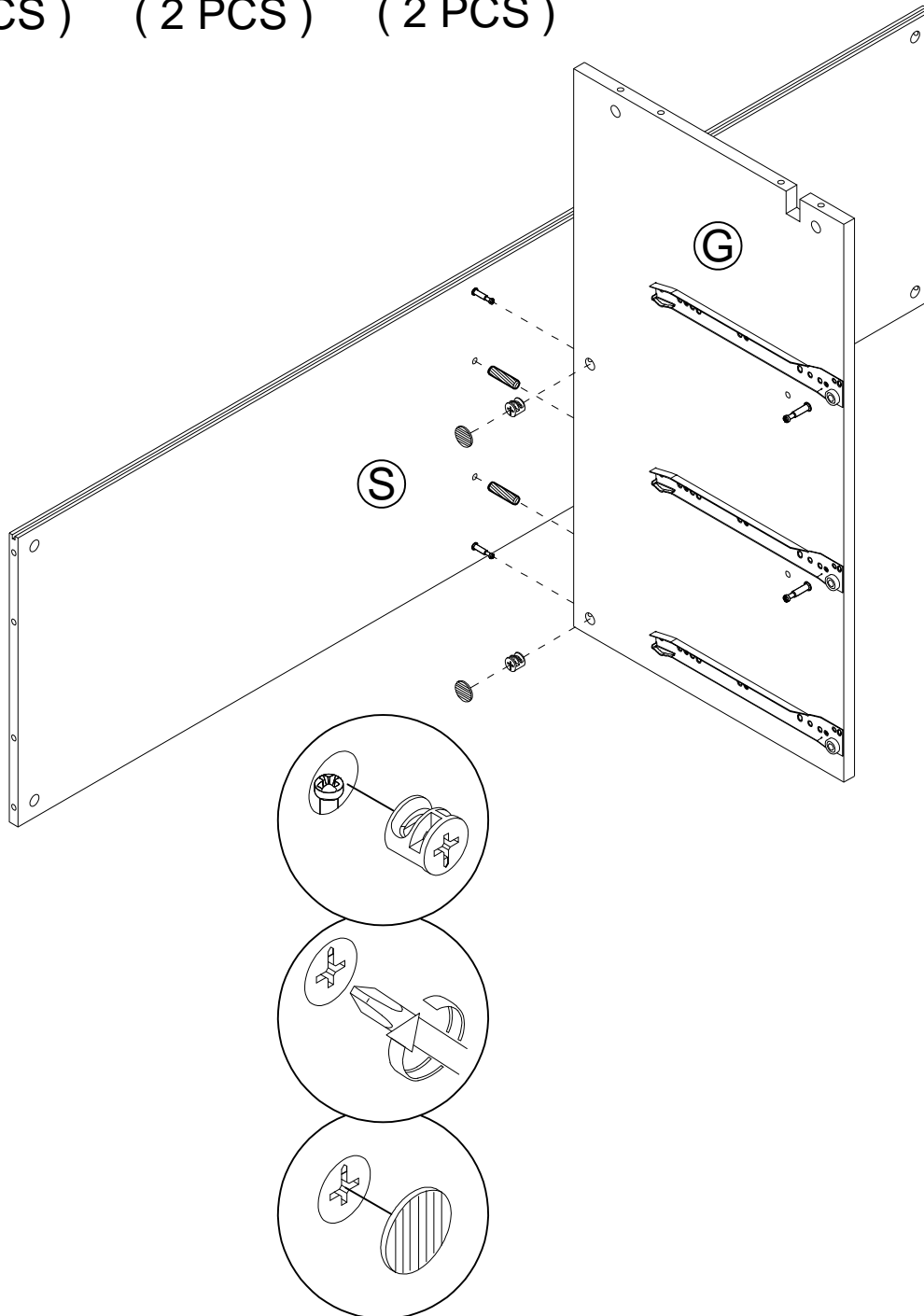
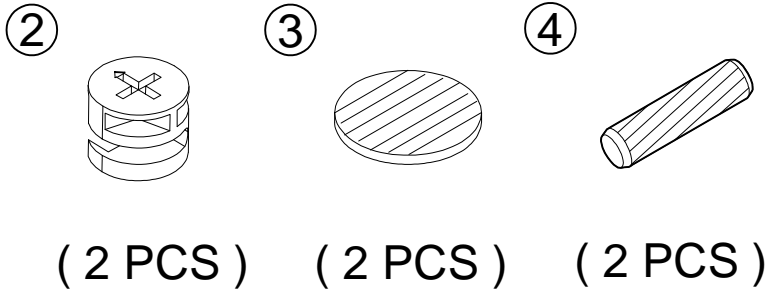


(6 PCS)



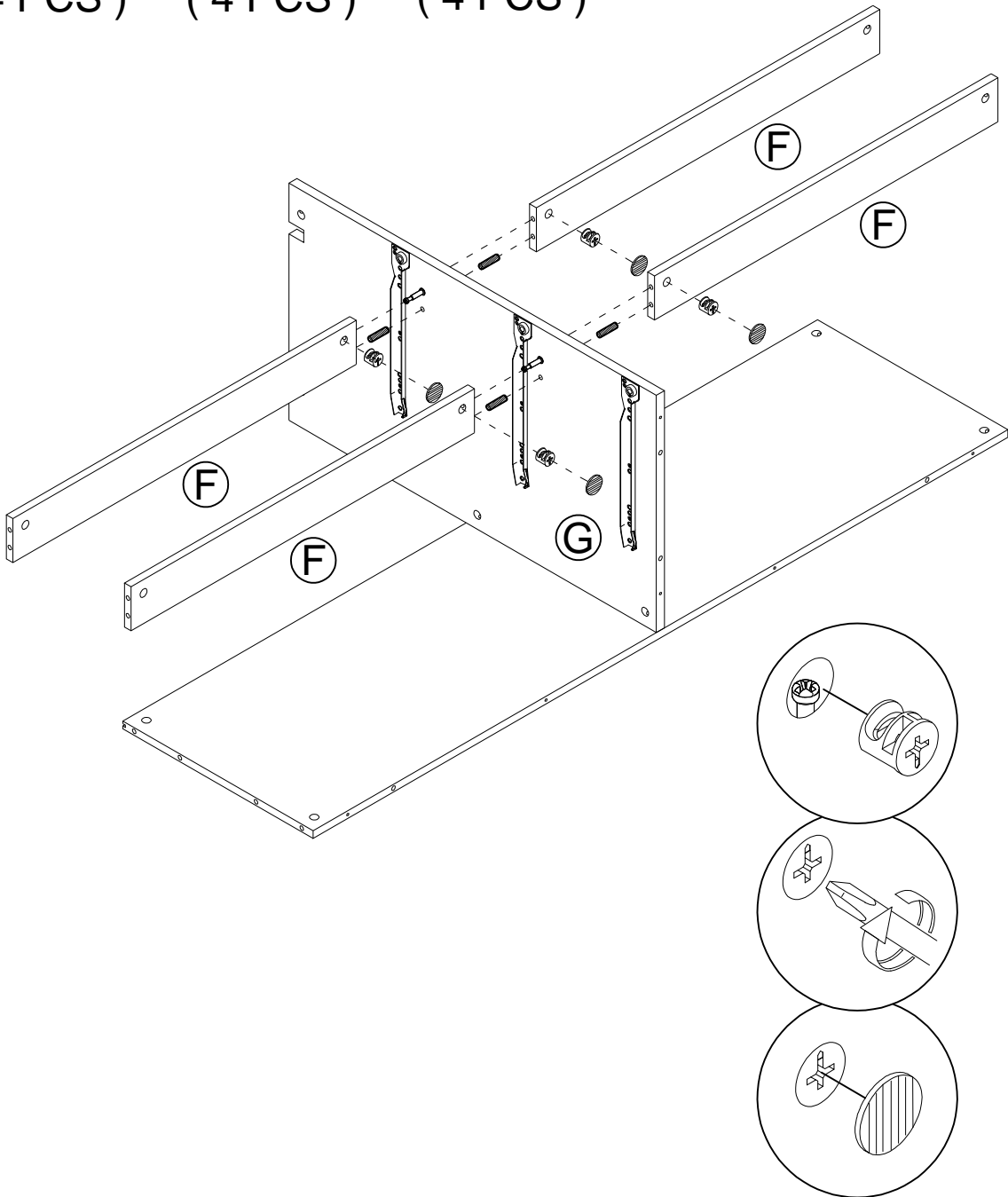
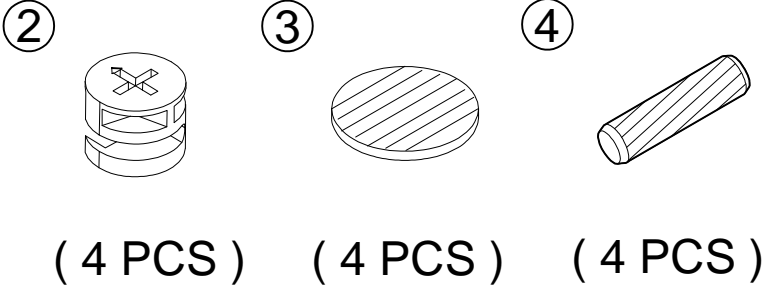
Step 3:

* Attach the BETWEEN PANEL(G) to the BACK LOWER PANEL(S) by the Two KD LARGE CAM (2) , Two COVER CAP (3) and Two WOOD DOWEL (4) .



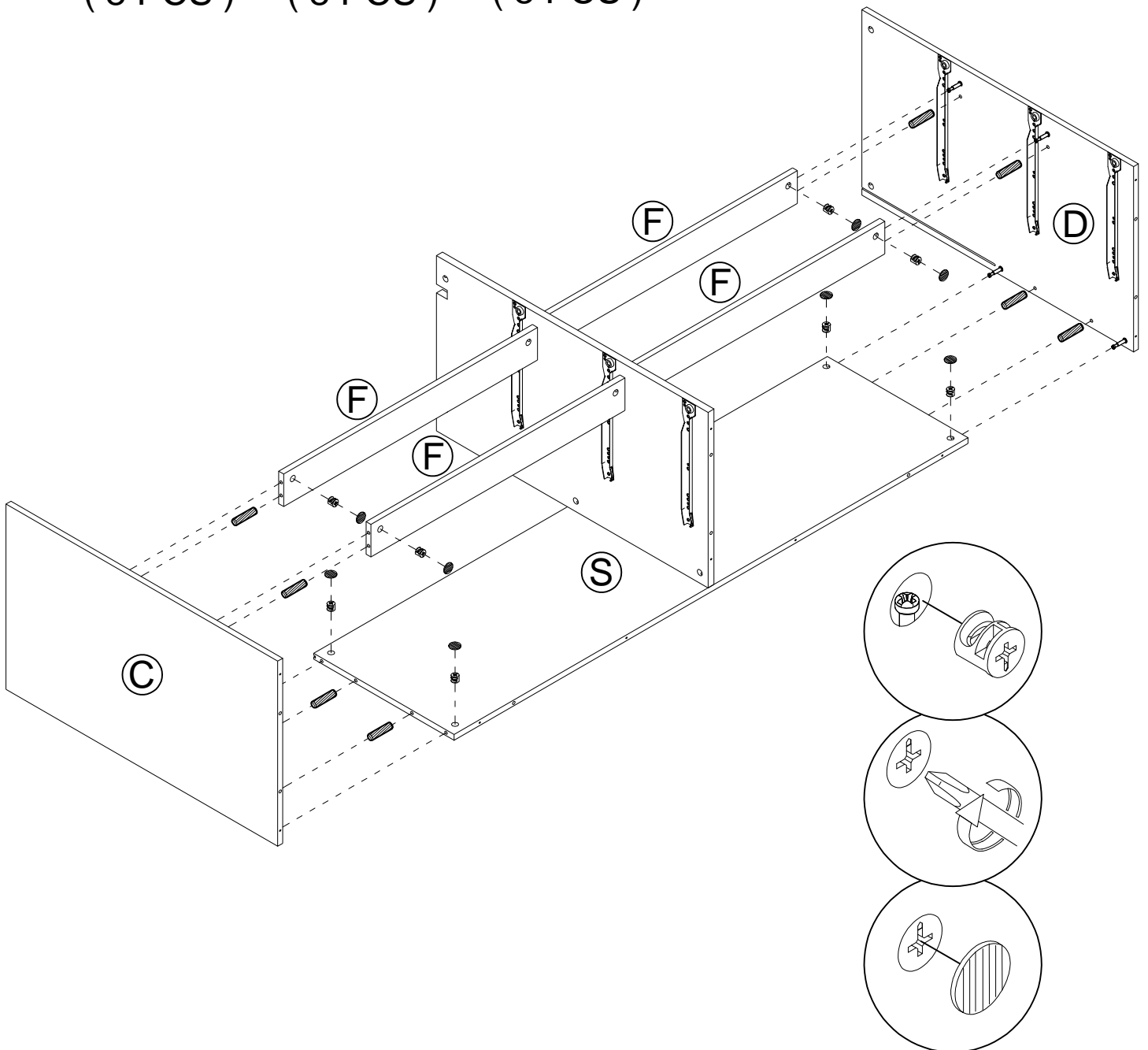
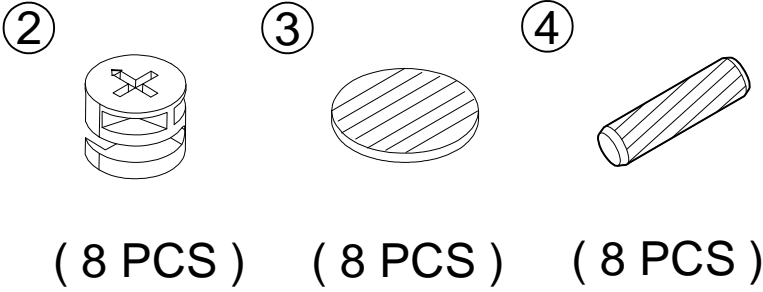
Step 4:

* Attach the Four FRONT HORIZONTAL PANEL (F) to the BETWEEN PANEL(G) by the Four KD LARGE CAM (2) , Four COVER CAP (3) and Four WOOD DOWEL (4) .



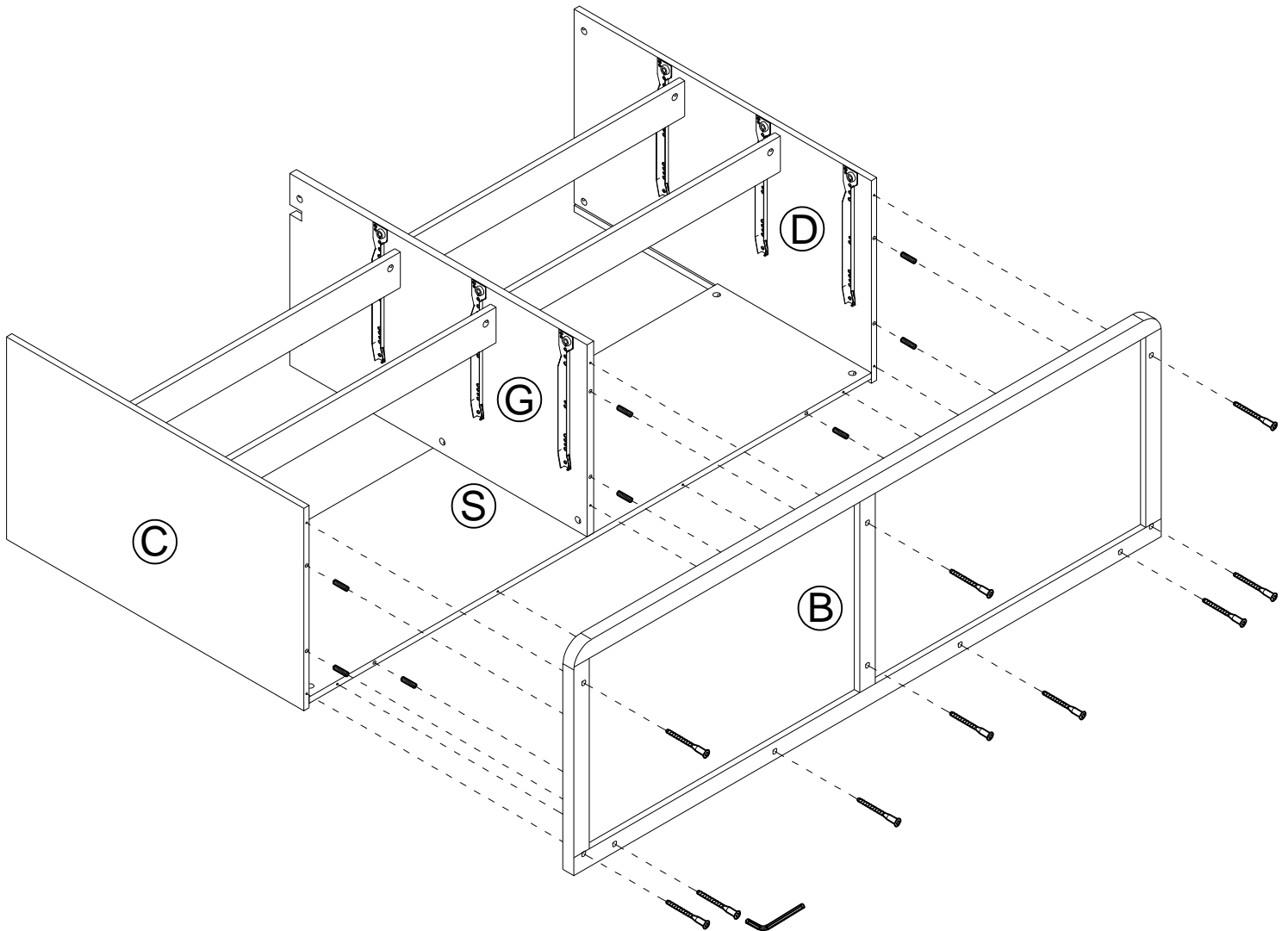
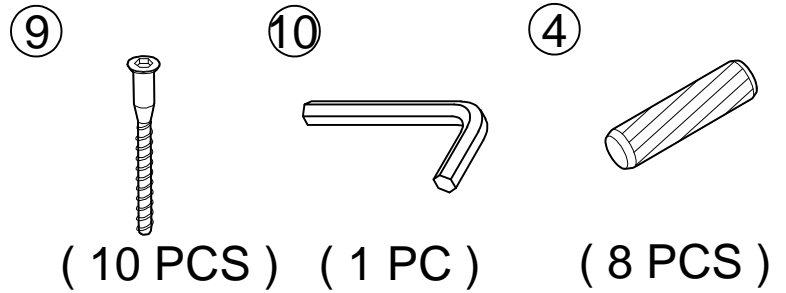
Step 5:

* Attach the LEFT PANEL (C) and RIGHT PANEL(D) to the Four FRONT HORIZONTAL PANEL (F) and BACK LOWER PANEL(S) by the Eight KD LARGE CAM (2) , Eight COVER CAP (3) and Eight WOOD DOWEL (4) .



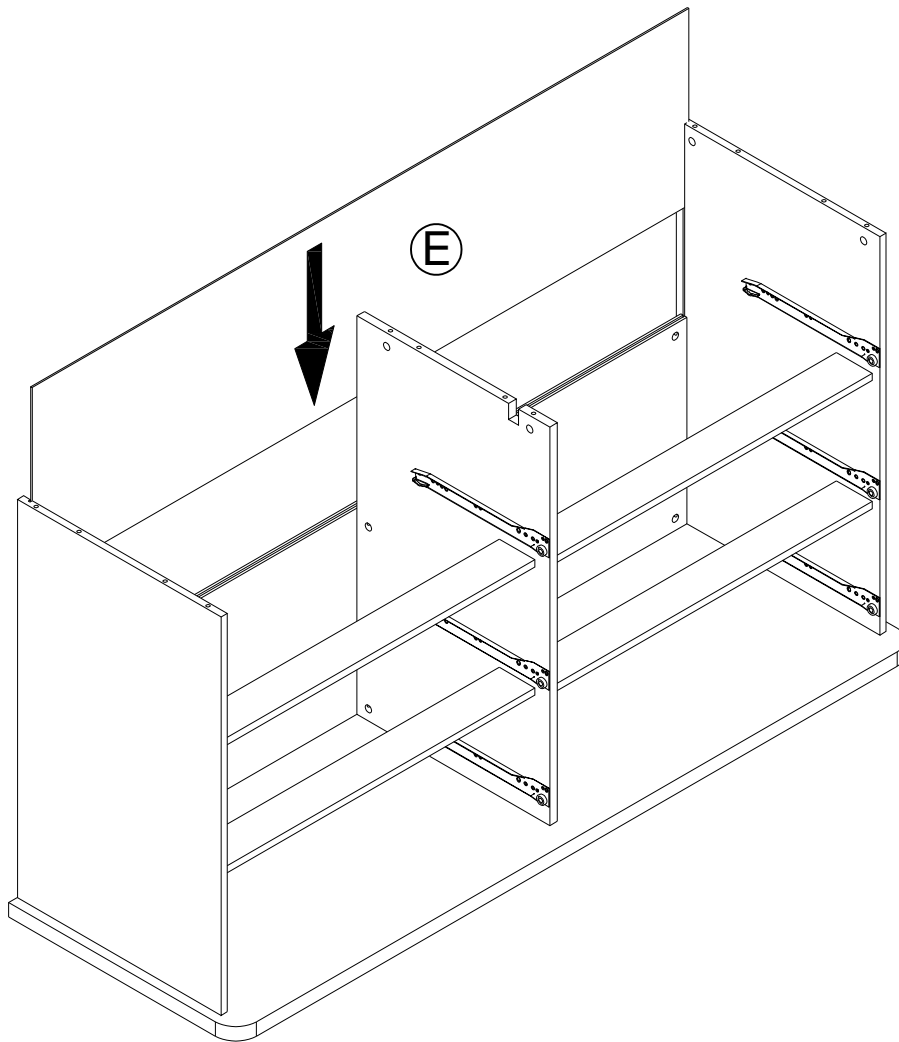
Step 6:

* Attach the BOTTOM PANEL(B) to the BACK LOWER PANEL (S), BETWEEN PANEL(G), LEFT PANEL (C) and RIGHT PANEL(D) by the Ten Screw(9), Eight WOOD DOWEL (4) and LOCK(10).



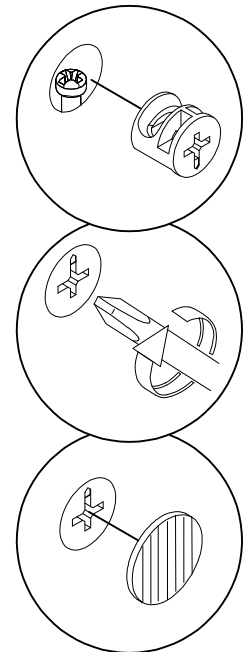
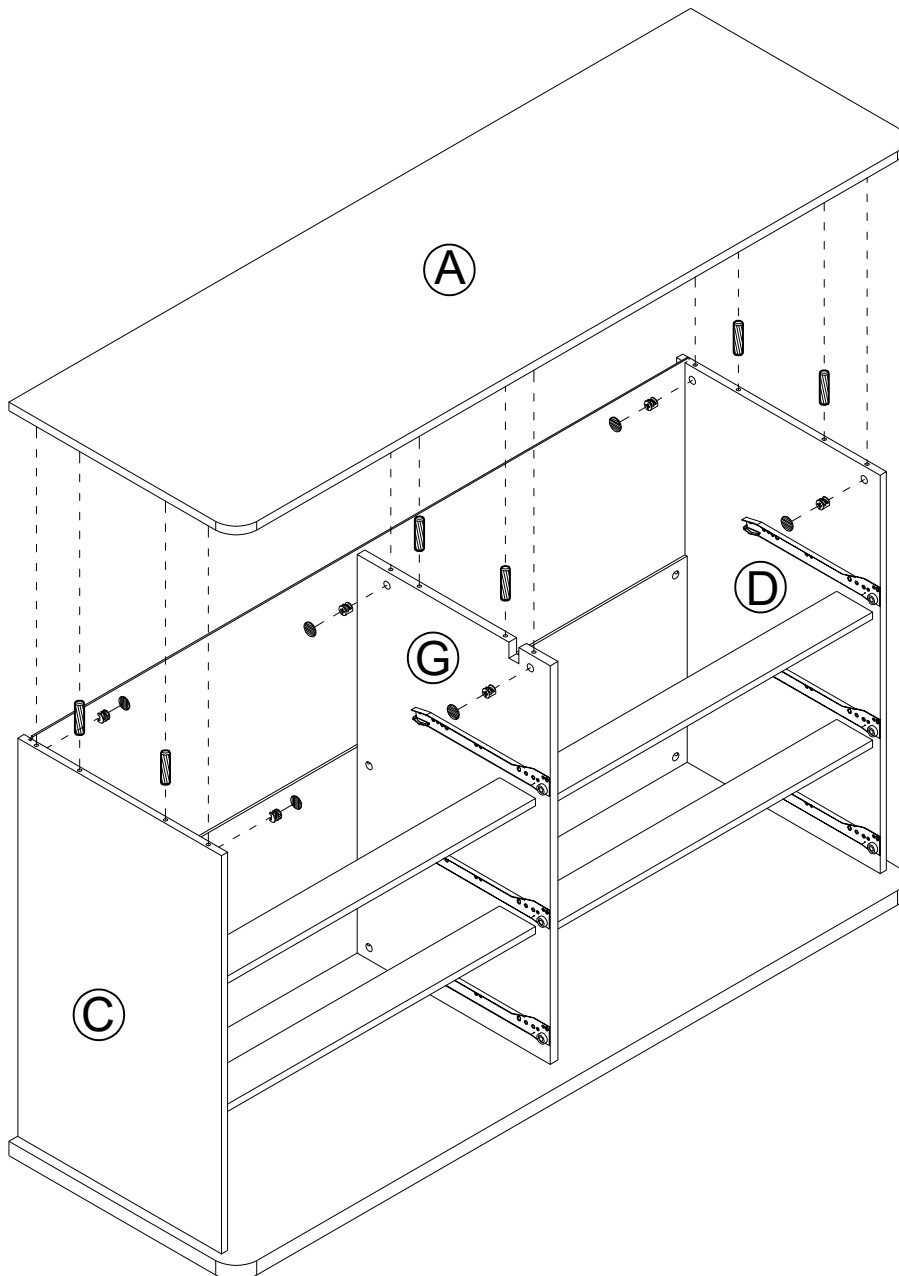
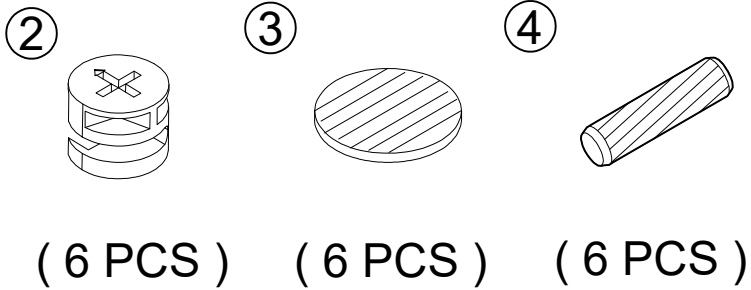
Step 7:

* Insert the BACK UPPER PANEL (E) to the stand.



Step 8:

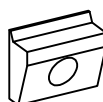
* Attach the TOP PANEL(A) to the LEFT PANEL(C), BETWEEN PANEL(G) and RIGHT PANEL(D) by the Six KD LARGE CAM (2) , Six COVER CAP (3) and Six WOOD DOWEL (4) .



Step 9:

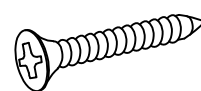
* Insert Ten PLASTIC WEDGE(7) and Ten SCREW(8) to the BACK UPPER PANEL (E).

⑦

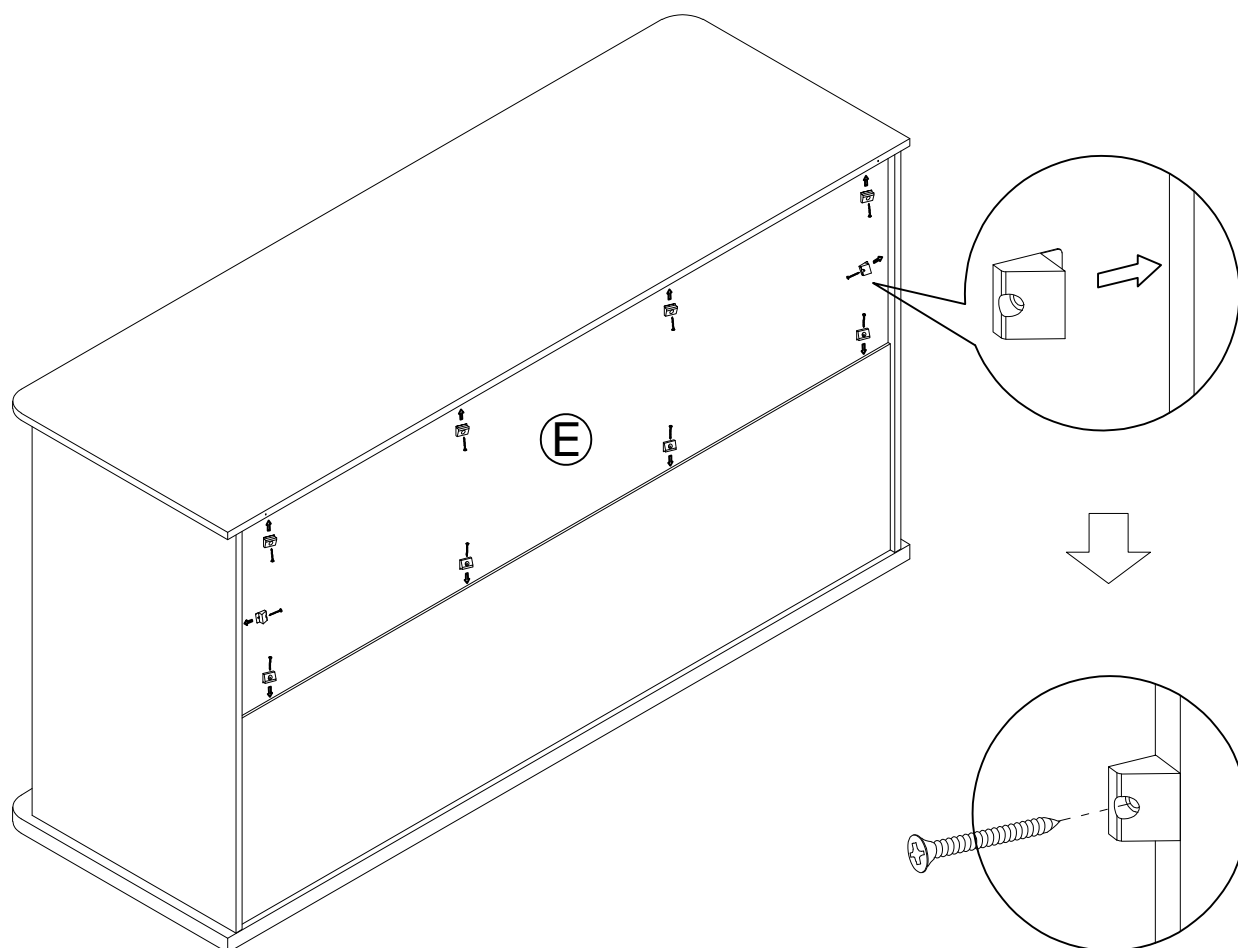


(10 PCS)

⑧

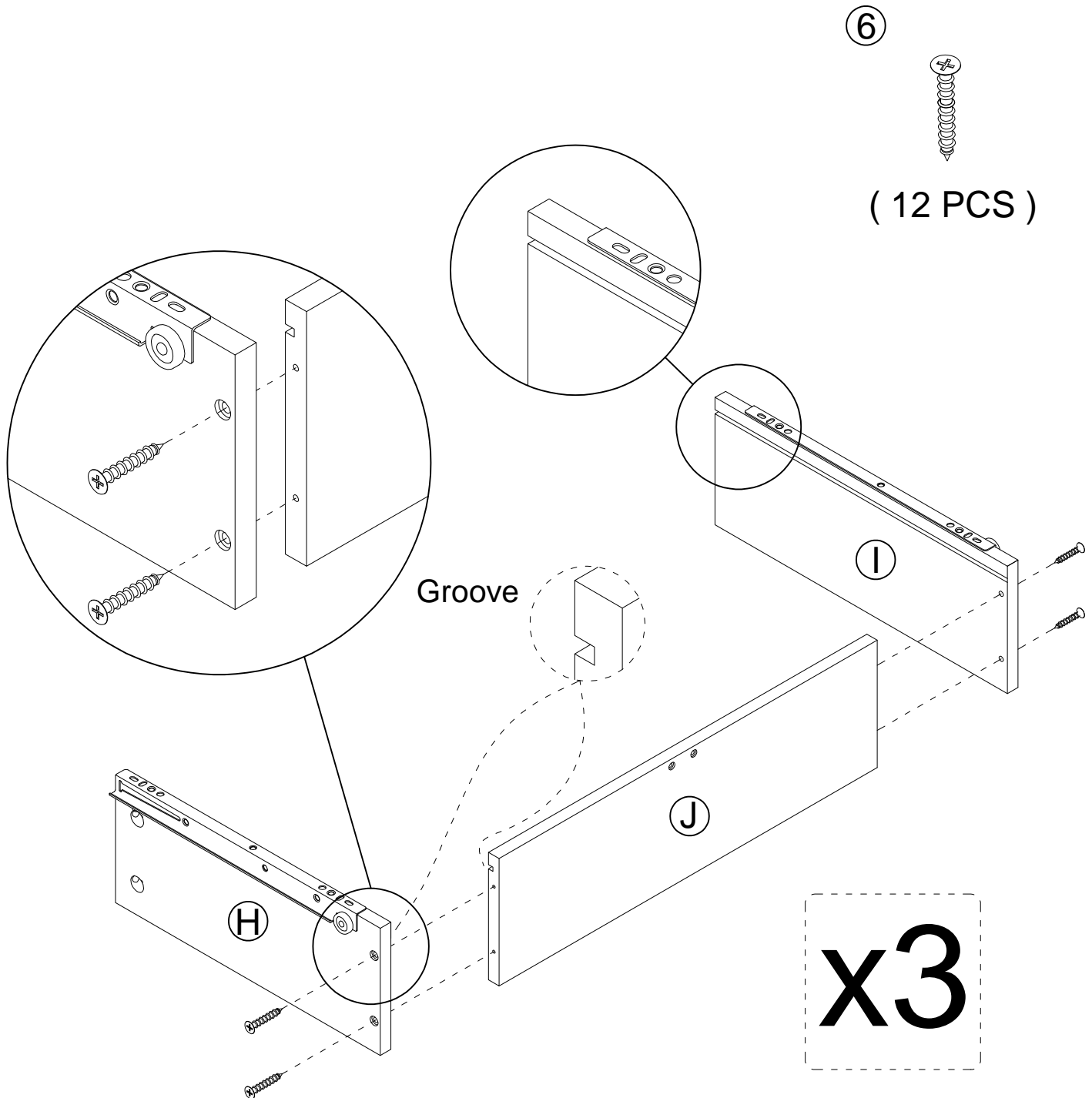


(10 PCS)



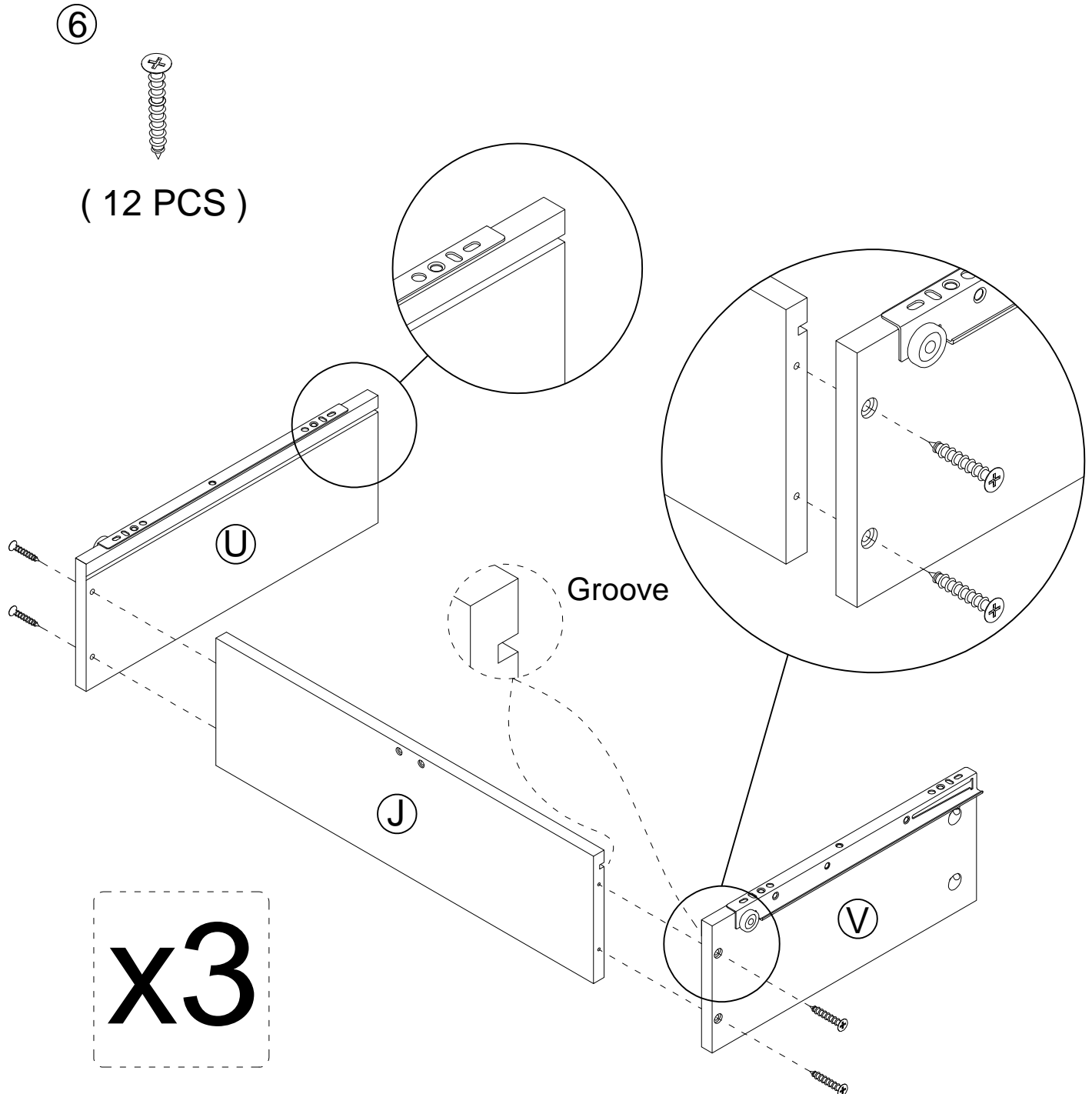
Step 10:

* Assemble the DRAWER BACK PANEL(J) to the DRAWER LEFT PANEL A (H) and DRAWER RIGHT PANEL A (I) by the SCREW (6) .



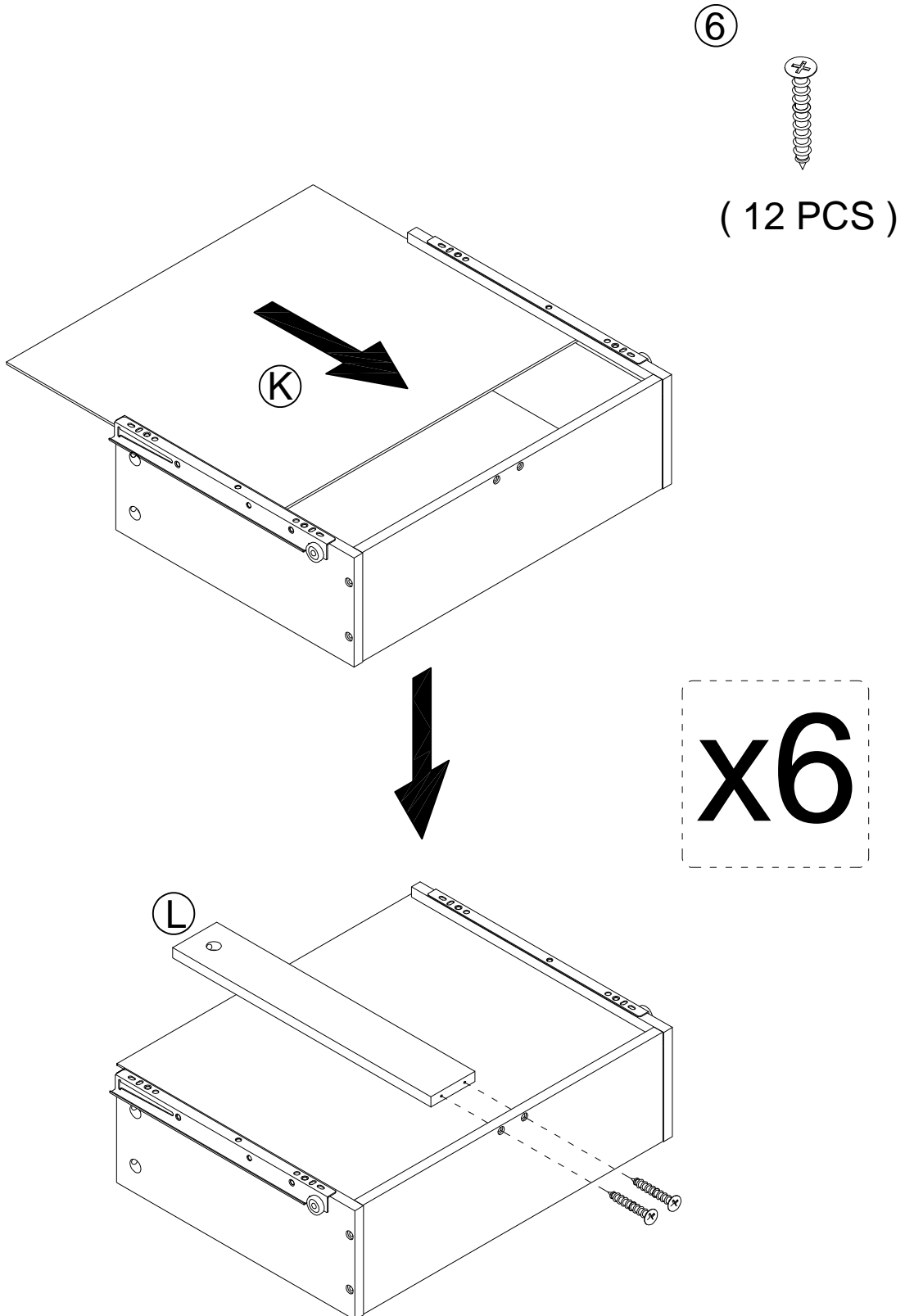
Step 11:

* Assemble the DRAWER BACK PANEL(J) to the DRAWER LEFT PANEL B (U) and DRAWER RIGHT PANEL B (V) by the SCREW (6) .



Step 12:

- * Slide in the DRAWER BOTTOM PANEL (K).
- * Assemble the DRAWER SUPPORT PANEL (L) to the DRAWER TRAY by the SCREW (6) .



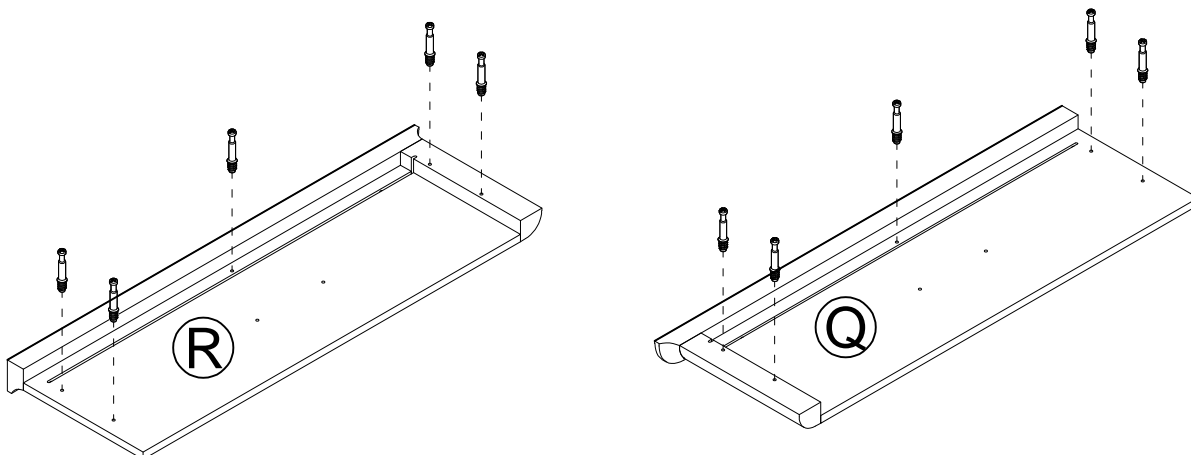
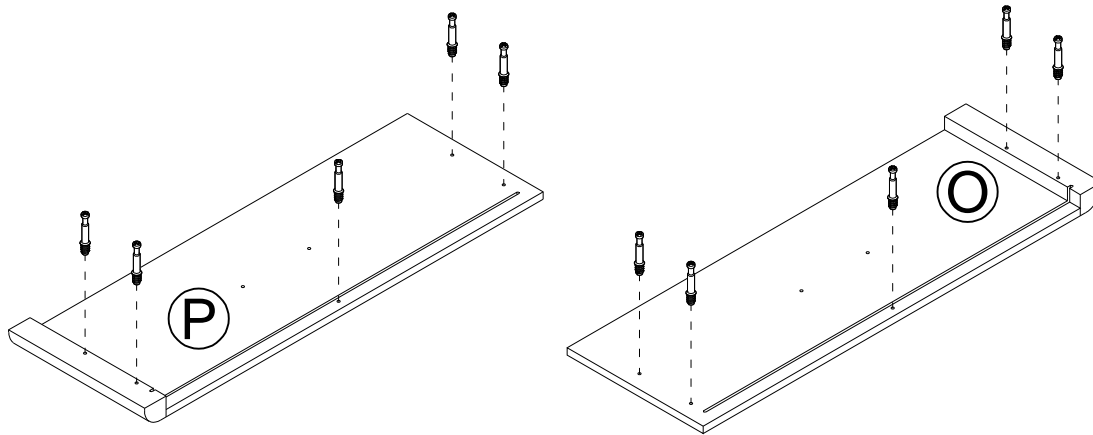
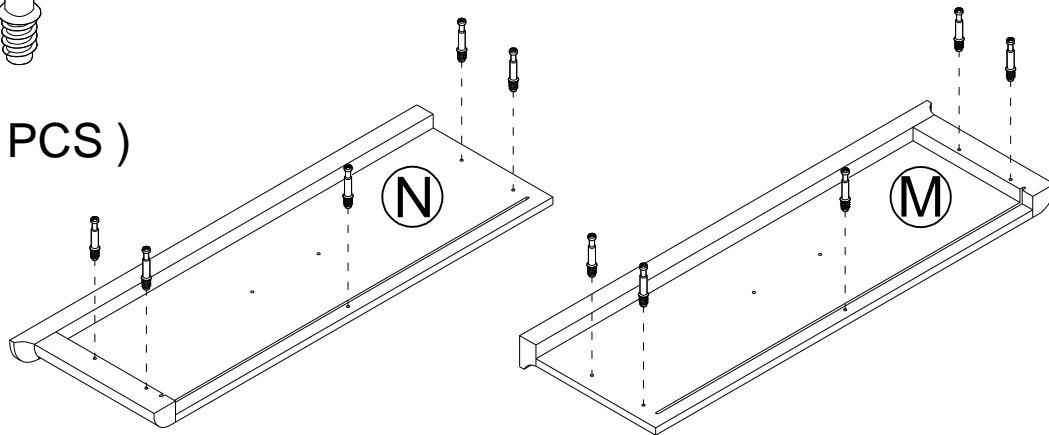
Step 13:

* Insert Thirty KD BOLT (1) to the DRAWER LEFT FRONT UPPER PANEL (M), DRAWER RIGHT FRONT UPPER PANEL (N), DRAWER LEFT FRONT MIDDLE PANEL (O), DRAWER RIGHT FRONT MIDDLE PANEL (P), DRAWER LEFT FRONT LOWER PANEL (Q), DRAWER RIGHT FRONT LOWER PANEL (R).

①



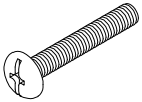
(30 PCS)



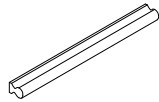
Step 14:

* Assemble the HANDLE (17) to the DRAWER LEFT FRONT UPPER PANEL (M), DRAWER RIGHT FRONT UPPER PANEL (N), DRAWER LEFT FRONT MIDDLE PANEL (O), DRAWER RIGHT FRONT MIDDLE PANEL (P), DRAWER LEFT FRONT LOWER PANEL (Q), DRAWER RIGHT FRONT LOWER PANEL (R) by SCREW (16).

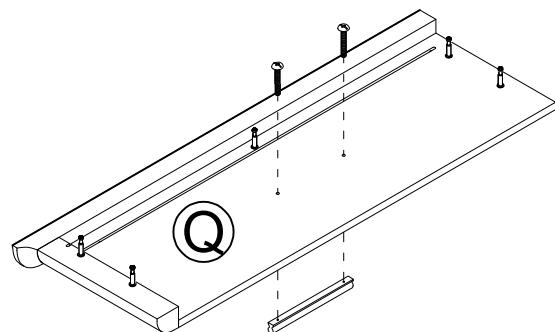
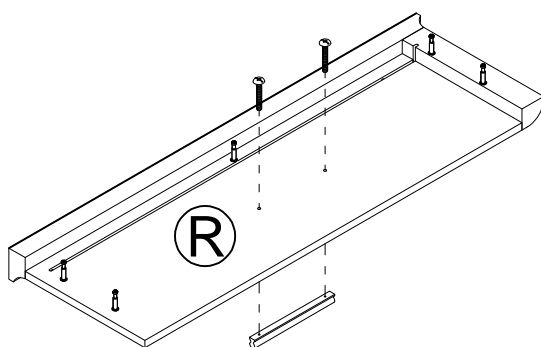
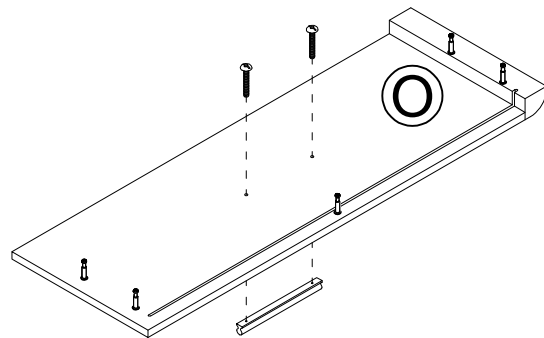
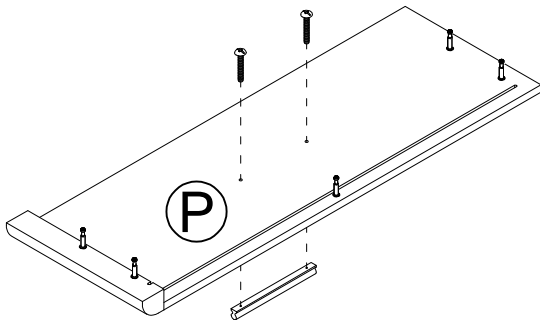
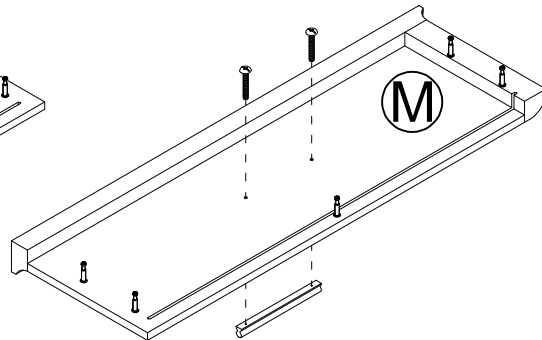
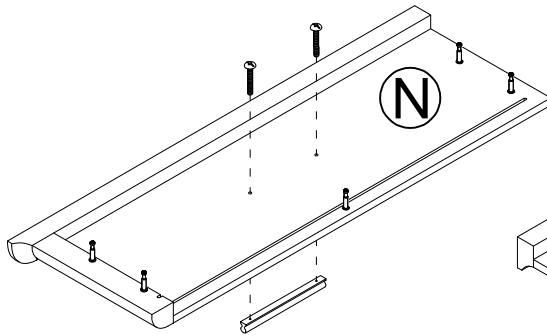
16



17



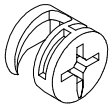
(12 PCS) (6 PCS)



Step 15:

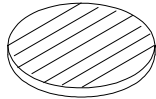
* Assemble the DRAWER LEFT FRONT UPPER PANEL (M), DRAWER LEFT FRONT MIDDLE PANEL (O), DRAWER LEFT FRONT LOWER PANEL (Q) to the DRAWER TRAY by the Fifteen KD SMALL CAM (5) and Fifteen COVER CAP (3).

⑤

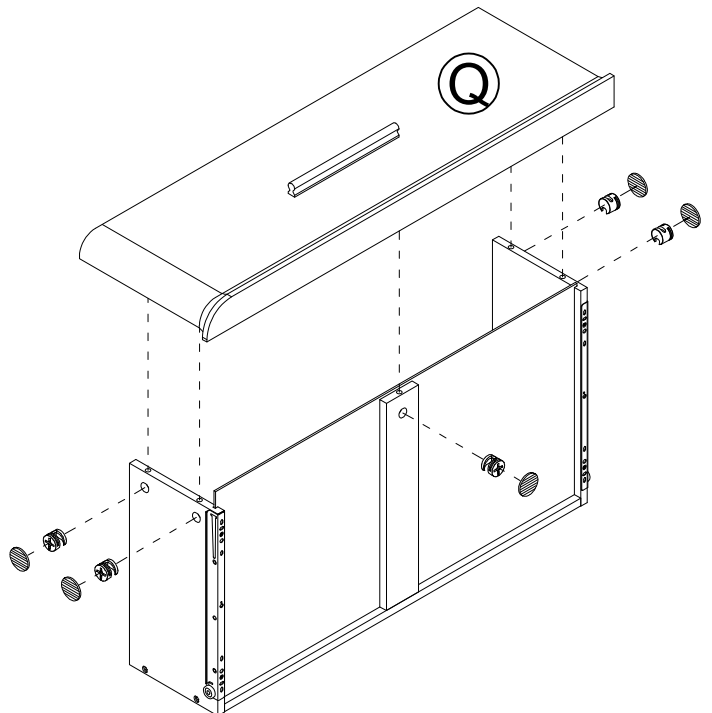
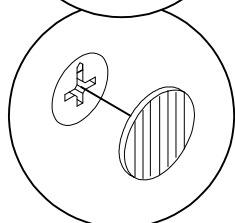
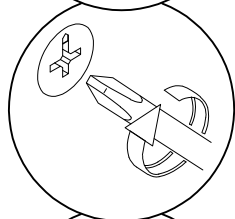
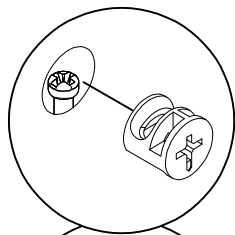
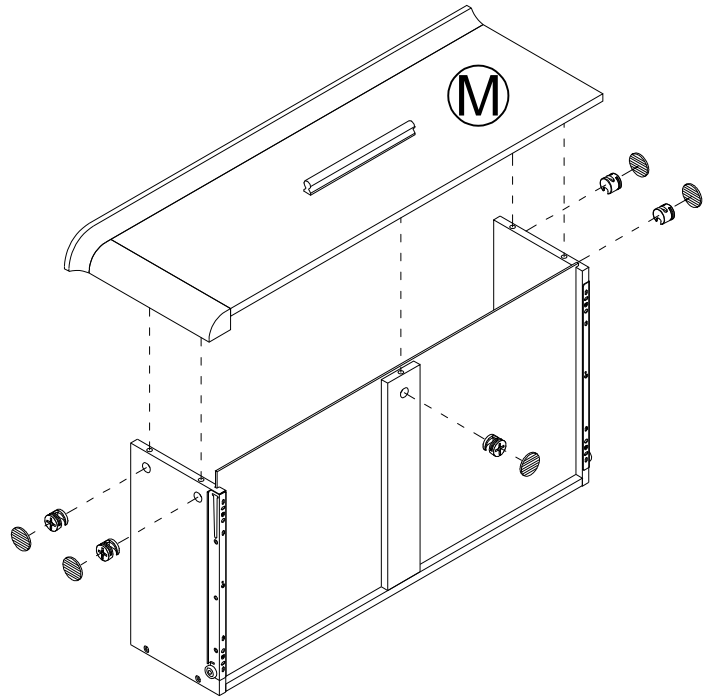
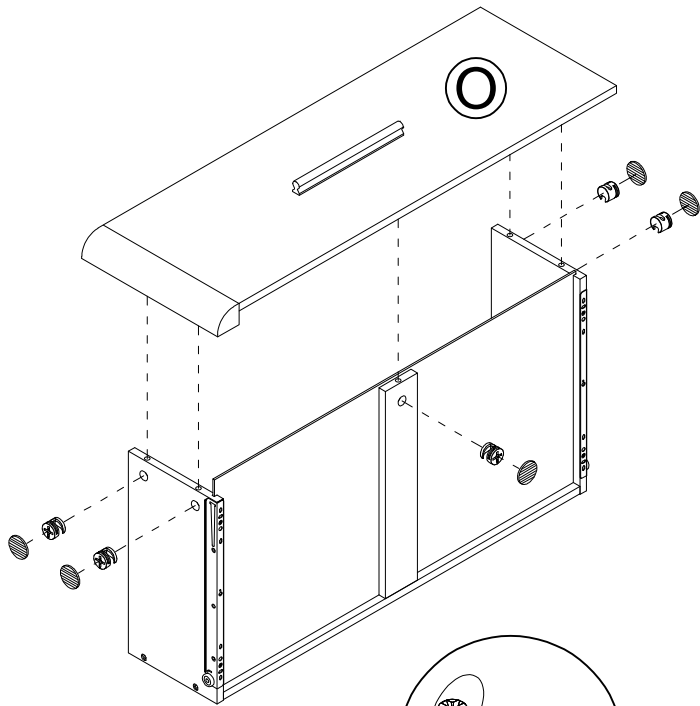


(15 PCS)

③



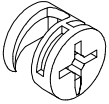
(15 PCS)



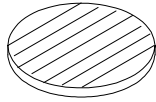
Step 16:

* Assemble the DRAWER RIGHT FRONT UPPER PANEL (N), DRAWER RIGHT FRONT MIDDLE PANEL (P), DRAWER RIGHT FRONT LOWER PANEL (R) to the DRAWER TRAY by the Fifteen KD SMALL CAM (5) and Fifteen COVER CAP (3).

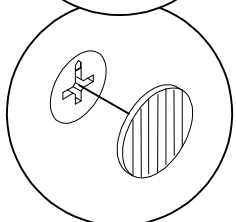
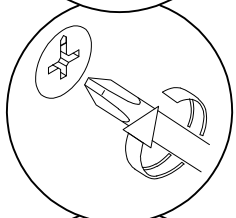
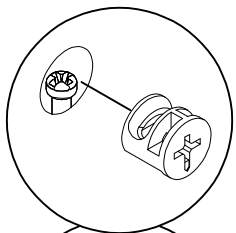
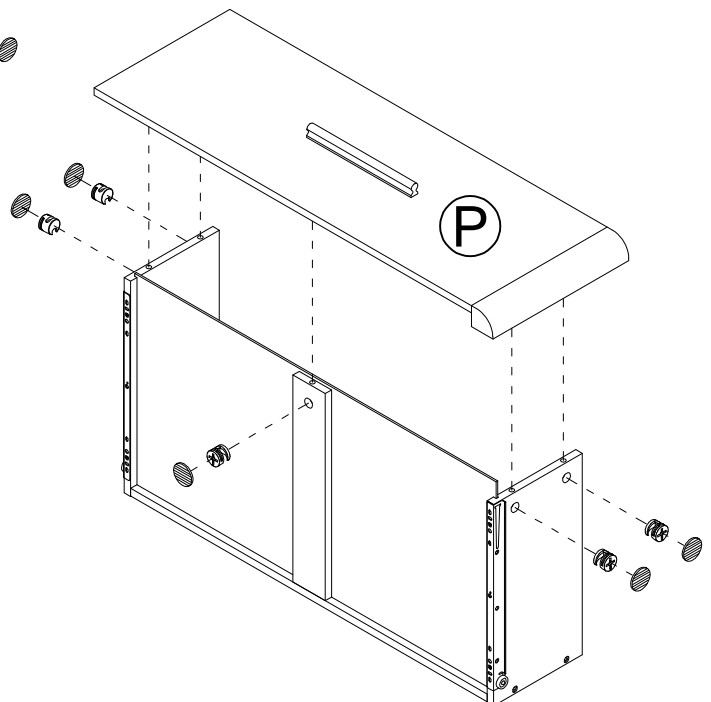
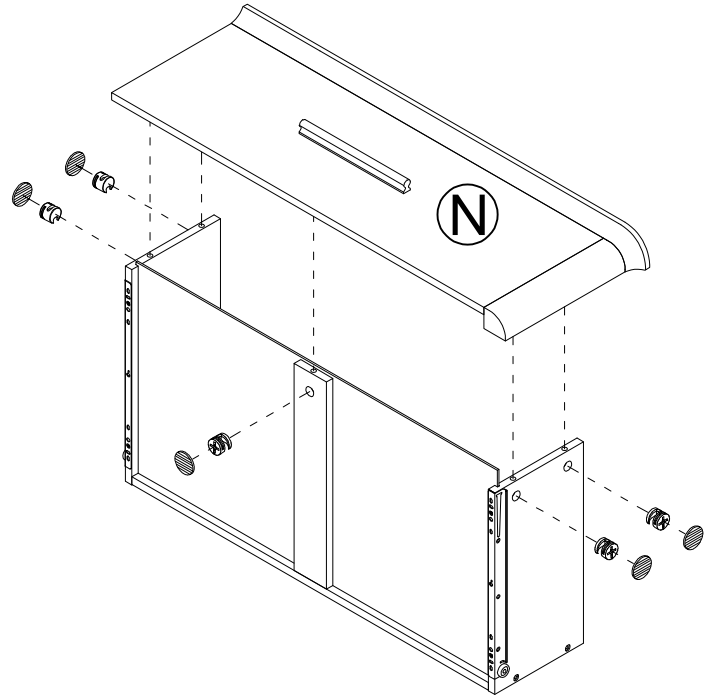
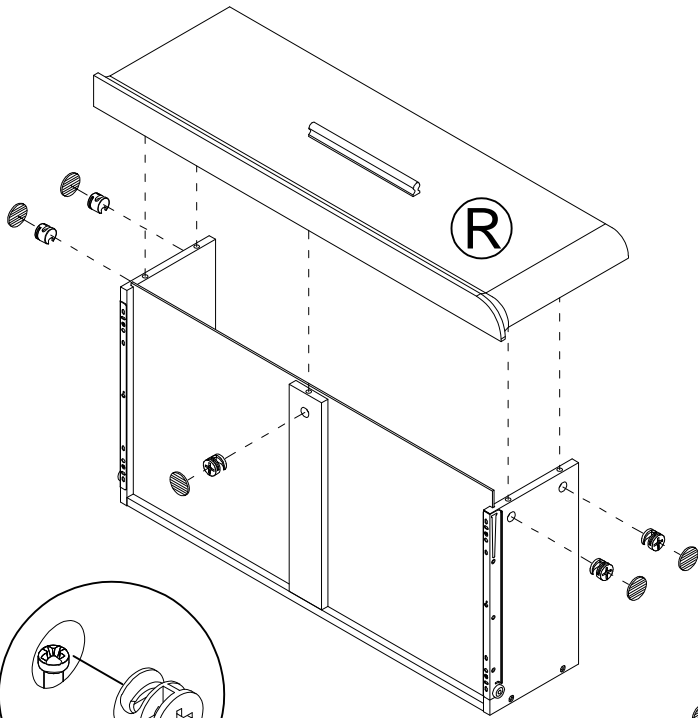
⑤



③

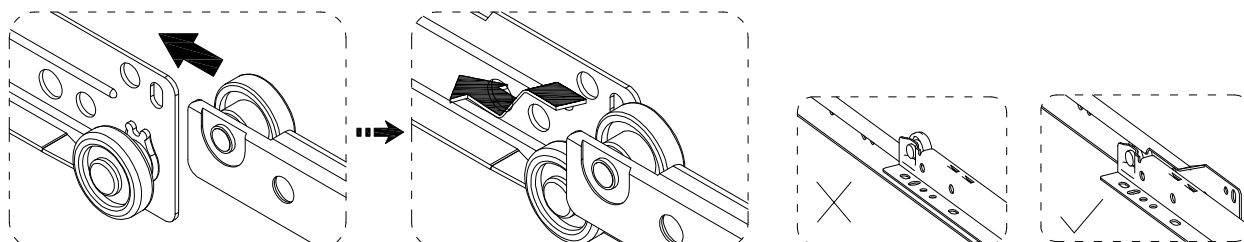
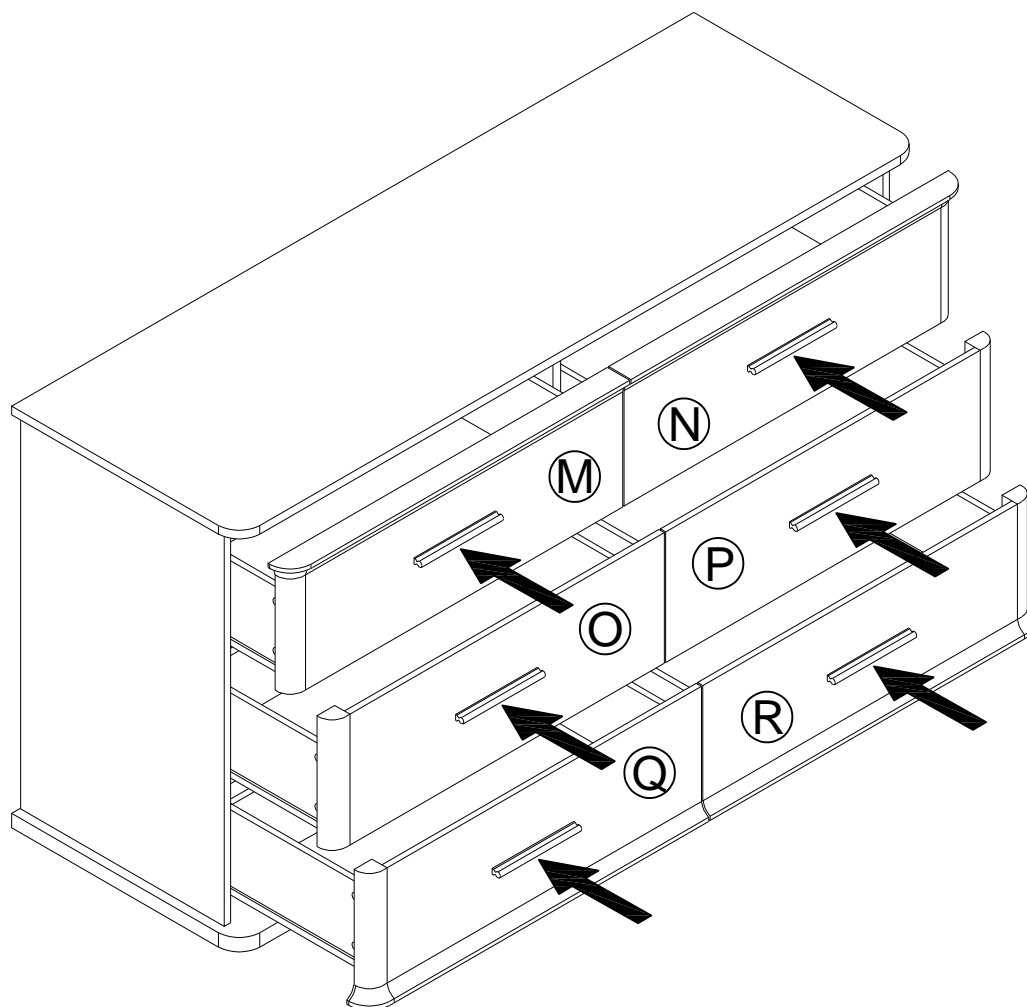


(15 PCS) (15 PCS)



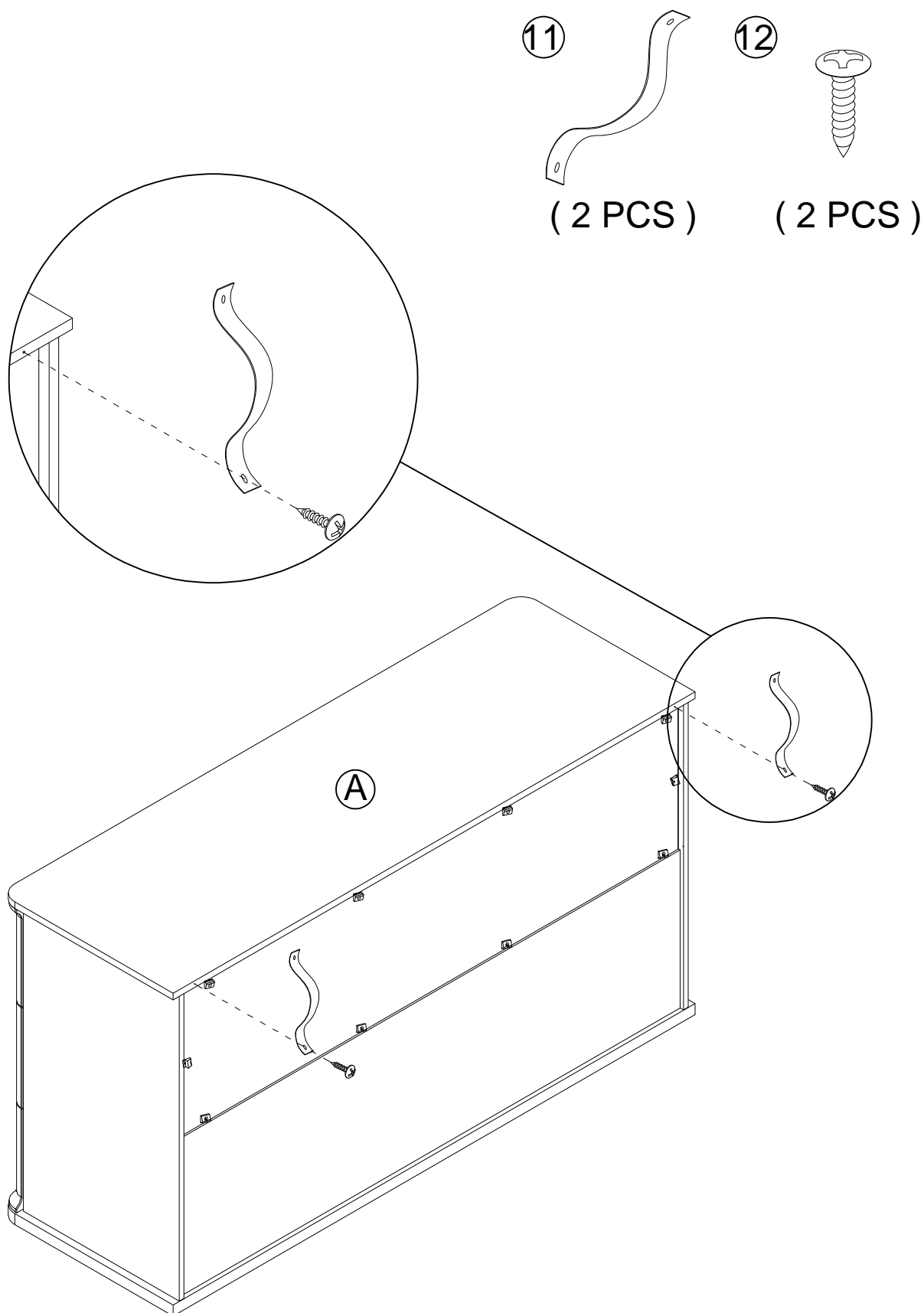
Step 17:

*Input Six Drawer tray to the stand.



Step 18:

* Attach anti-tipping straps to the back of the stand.



Step 19:

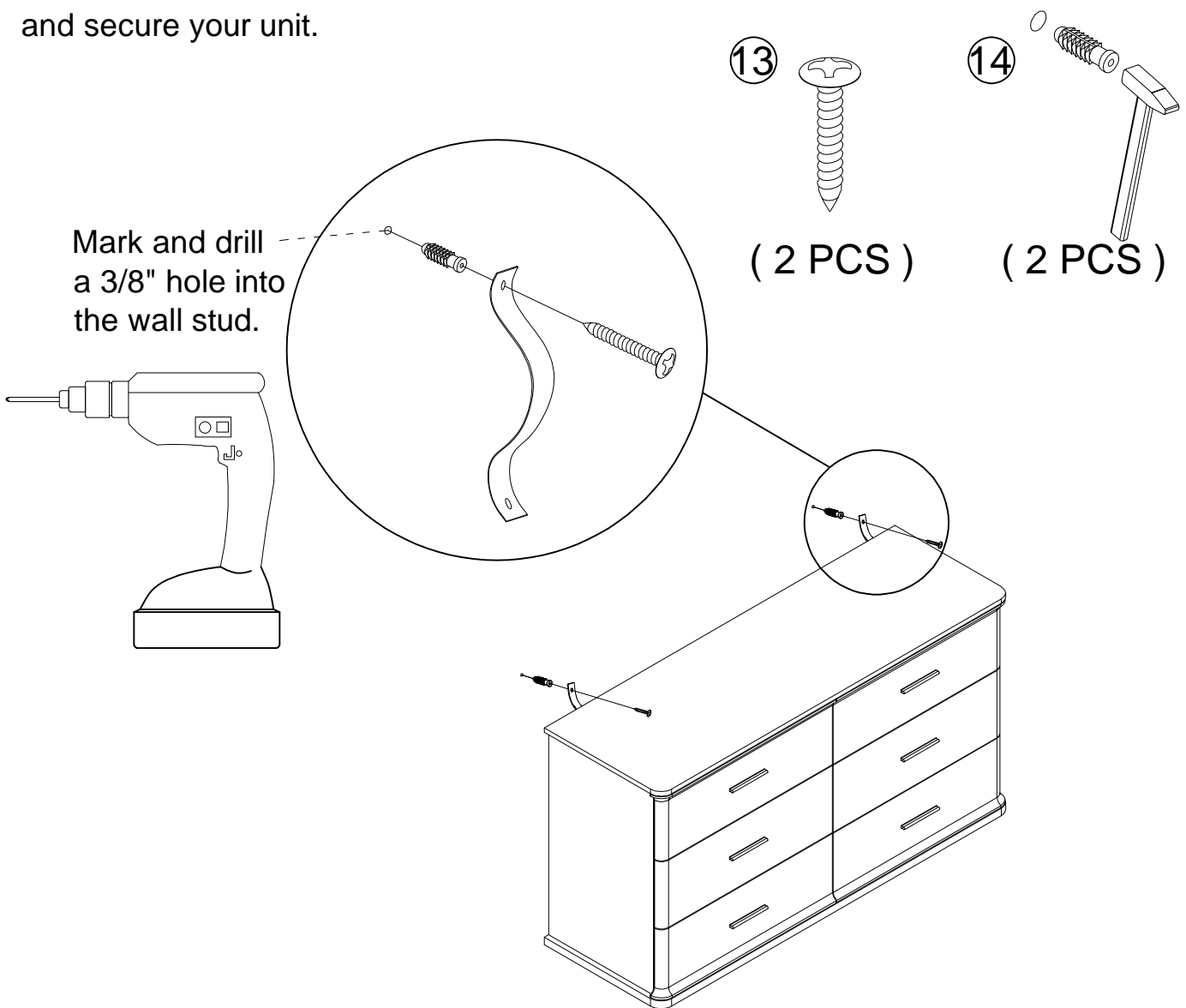
1st- With your pencil, strike a mark through the center of the hole in the SAFETY STRAP.

2nd- Drill a 3/8" hole on the mark.

3rd- FURNITURE TIPPING RESTRAINT KIT (14) into the hole until it is even with the surface of the wall.

4th- Turn the LONG SCREW through the hole in the SAFETY STRAP and into the WALL ANCHOR.

NOTE: You will need to turn the LONG SCREW multiple turns to completely tighten and secure your unit.





WARRANTY POLICY

All Manhattan Comfort furniture products are warranted, to the original purchaser at the time of purchase and for a period of 30 days thereafter.

Our warranty is limited to new products purchased in factory sealed cartons. This warranty is valid in the United States of America and Canada.

In order to provide you with timely assistance, please thoroughly inspect your furniture for missing or defective parts immediately after opening the carton.

Manhattan Comfort offers a 30-day parts replacement warranty on all items.

Our furniture products are not intended for outdoor use.

THE WARRANTY DOES NOT COVER:

- Defects/damages by improper assembly or disassembly.
- Defects/damages caused by shipping. Claims for damage during transit should be placed immediately to the transportation company.
- Defects/damages caused by inappropriate use of the furniture.



319 Ridge Rd. Dayton, NJ 08810
908-888-0818

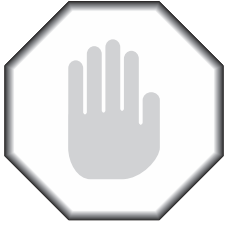


**MANHATTAN
COMFORT**

NS1564



V.08082025

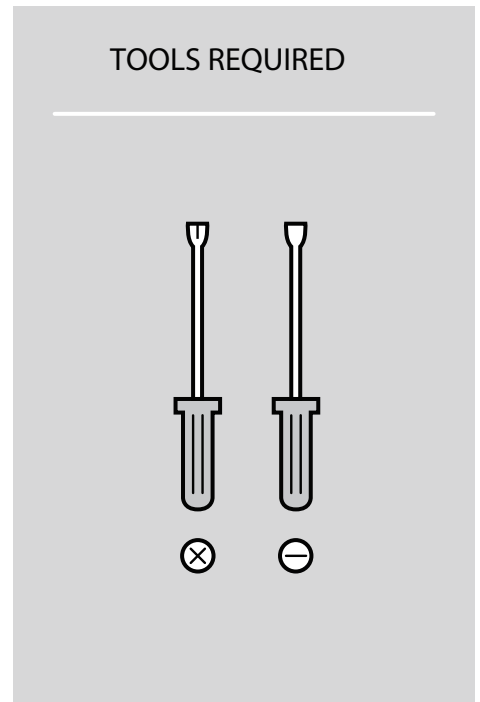
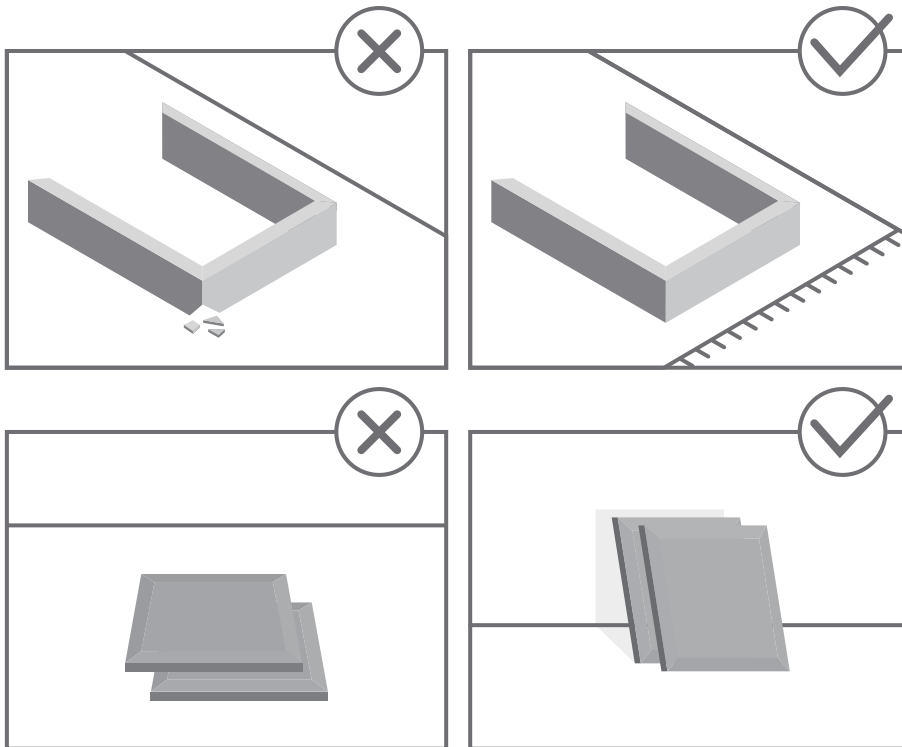


STOP!

Before beginning the assembly process, ensure all boxes and parts have been delivered.

FOR BEST RESULTS:

- Do not throw away packaging materials until assembly is complete.
- Assemble item on a soft surface, such as cardboard or carpet, to protect finish.
- Proper assembly requires two people.



View our assembly video online:
WWW.MANHATTANCOMFORT.COM



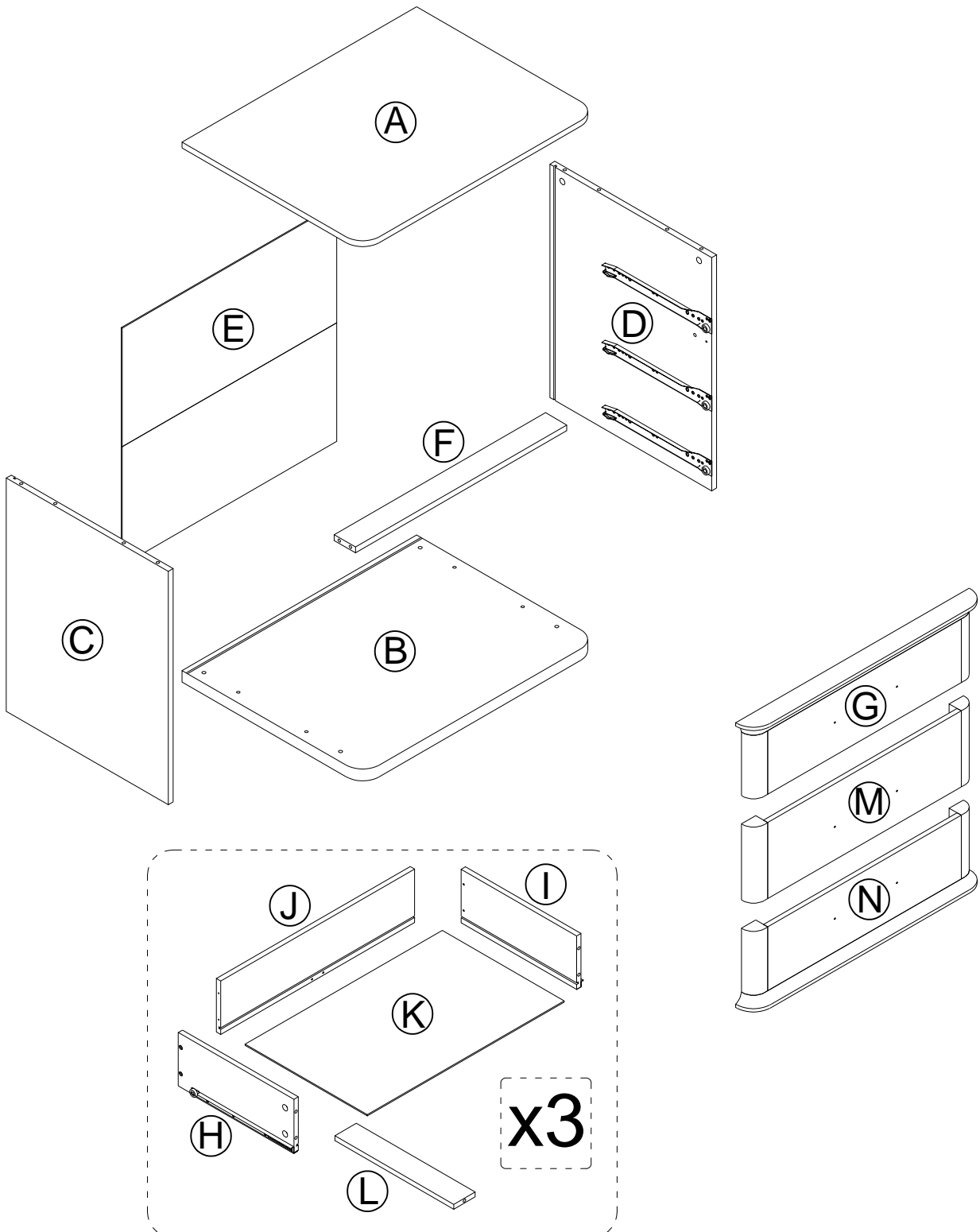
Stuck? Question? We are here to help.
tel: 908-888-0818
e-mail: help@manhattancomfort.com

Support Site



Included in this package:

- A. TOP PANEL(1)
- B. BOTTOM PANEL(1)
- C. LEFT PANEL (1)
- D. RIGHT PANEL (1)
- E. BACK PANEL (1)
- F. FRONT HORIZONTAL PANEL (1)
- G. DRAWER FRONT UPPER PANEL (1)
- H. DRAWER LEFT PANEL (3)
- I. DRAWER RIGHT PANEL (3)
- J. DRAWER BACK PANEL (3)
- K. DRAWER BOTTOM PANEL (3)
- L. DRAWER SUPPORT PANEL (3)
- M. DRAWER FRONT MIDDLE PANEL (1)
- N. DRAWER FRONT LOWER PANEL (1)

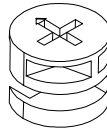


Hardware Identification

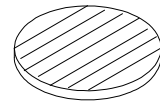
① KD BOLT - 21pcs
L=35mm



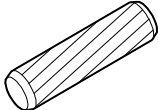
② KD LARGE CAM - 6pcs
Ø15*11mm



③ COVER CAP - 21pcs



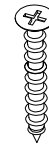
④ WOOD DOWEL-10pcs
Ø8*30mm



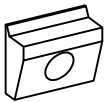
⑤ KD SMALL CAM - 15pcs
Ø15*9mm



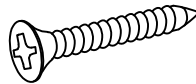
⑥ SCREW - 18pcs
Ø4*38mm



⑦ PLASTIC WEDGE - 10pcs



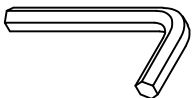
⑧ SCREW - 10pcs
Ø3*17mm



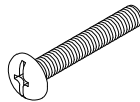
⑨ SCREW - 4pcs
Ø6*50mm



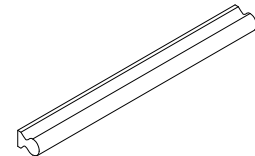
⑩ LOCK - 1pc

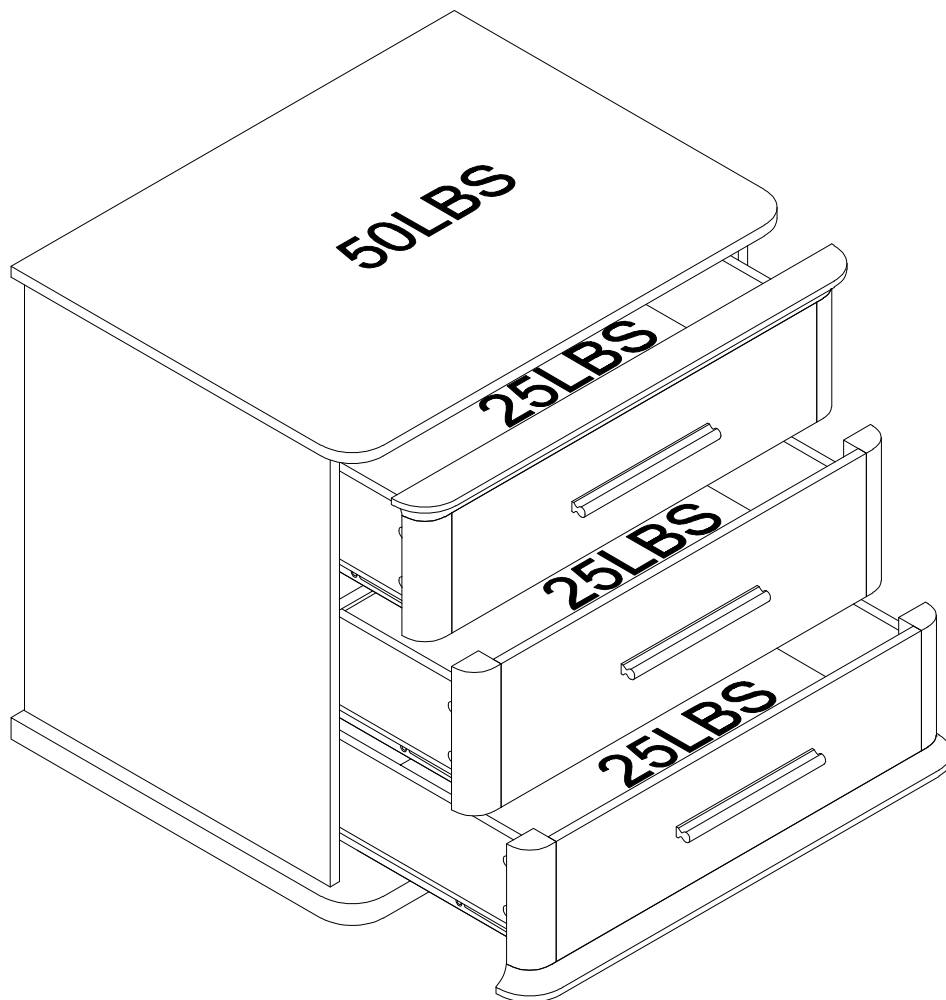


⑪ BOLT - 6pcs



⑫ HANDLE - 3pcs





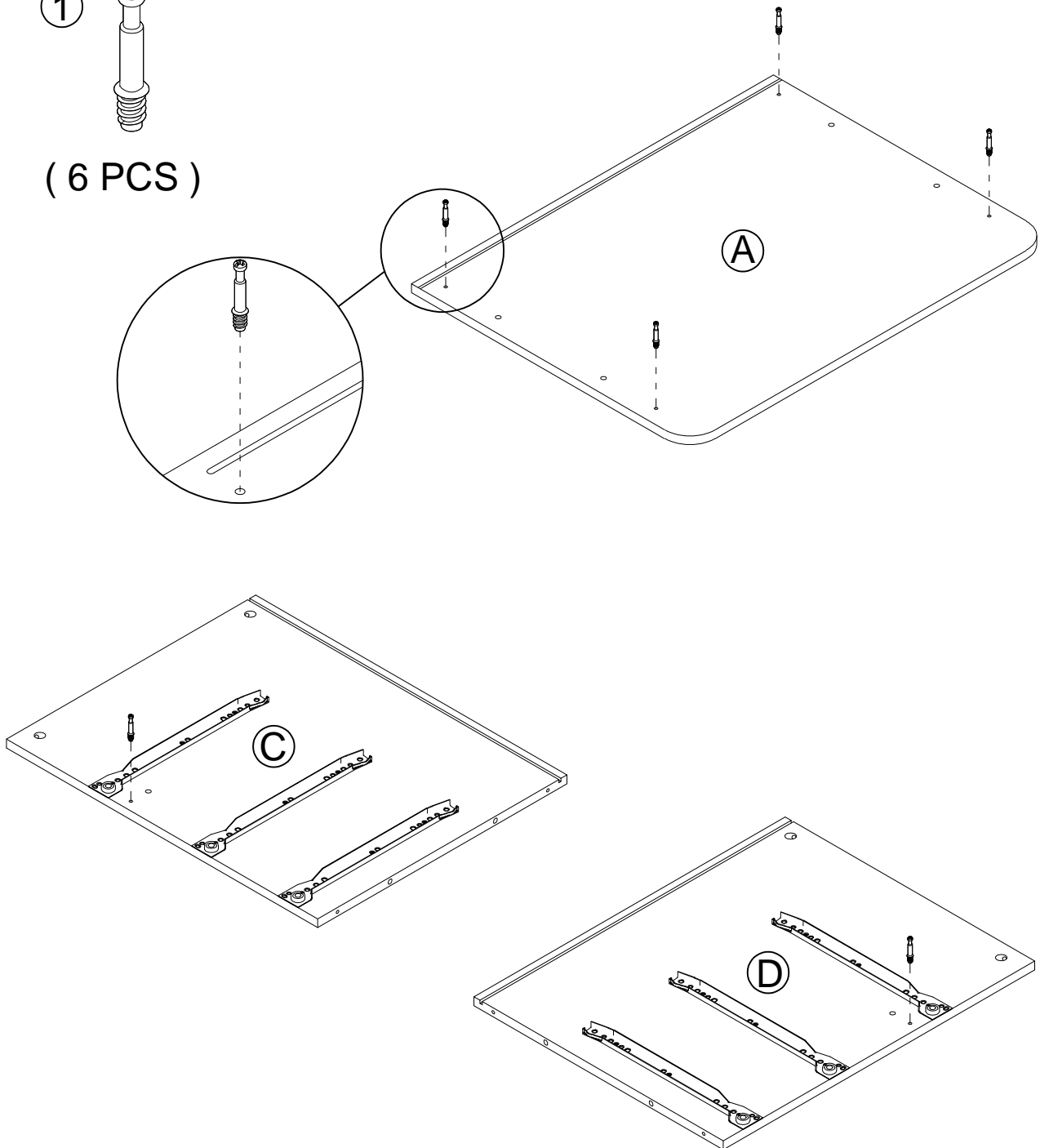
Step 1:

* Insert Six KD BOLT (1) to the TOP PANEL (A), LEFT PANEL (C) and RIGHT PANEL(D).

①

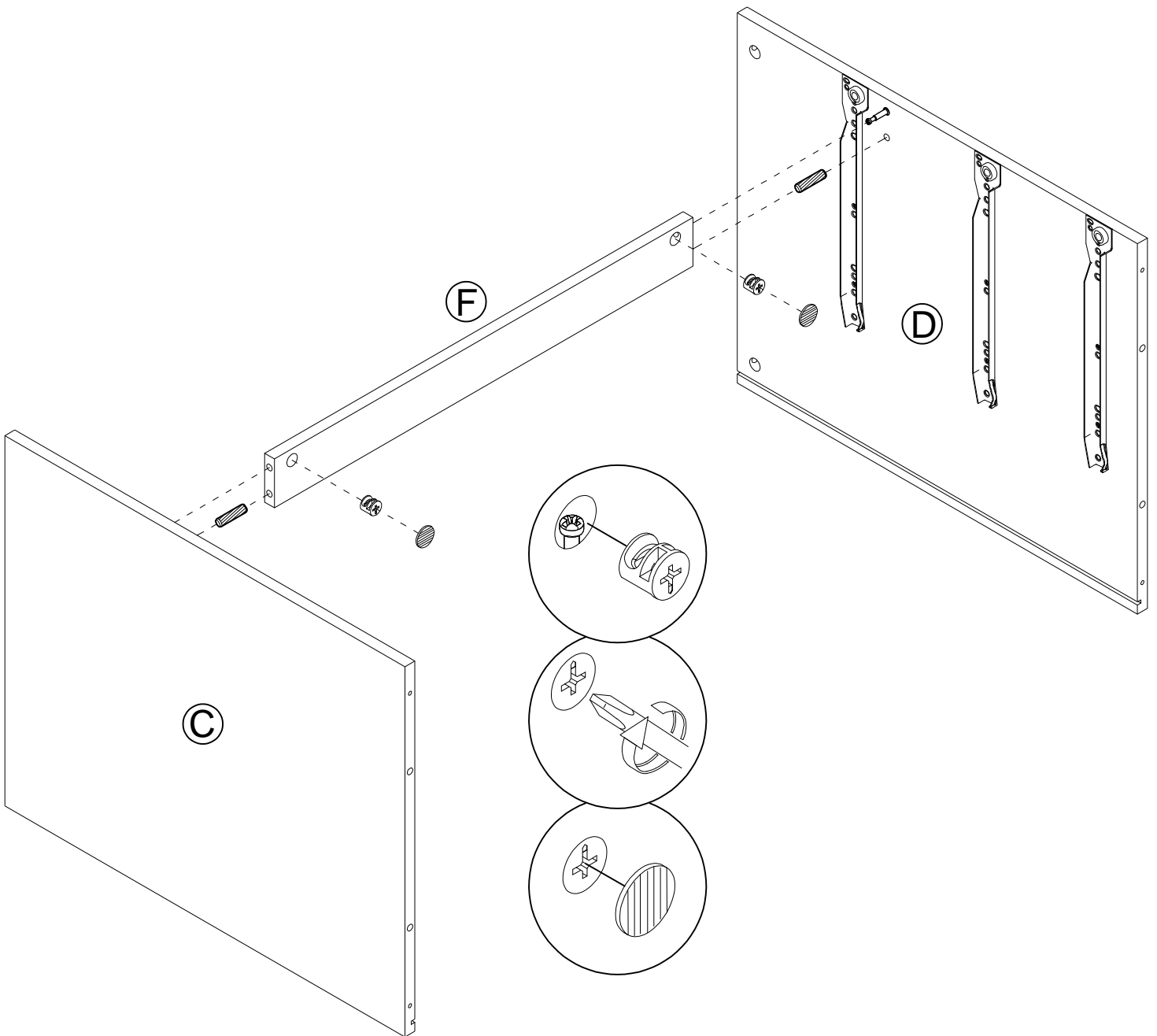
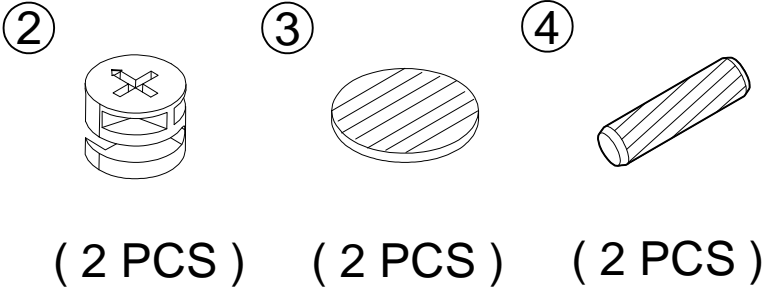


(6 PCS)



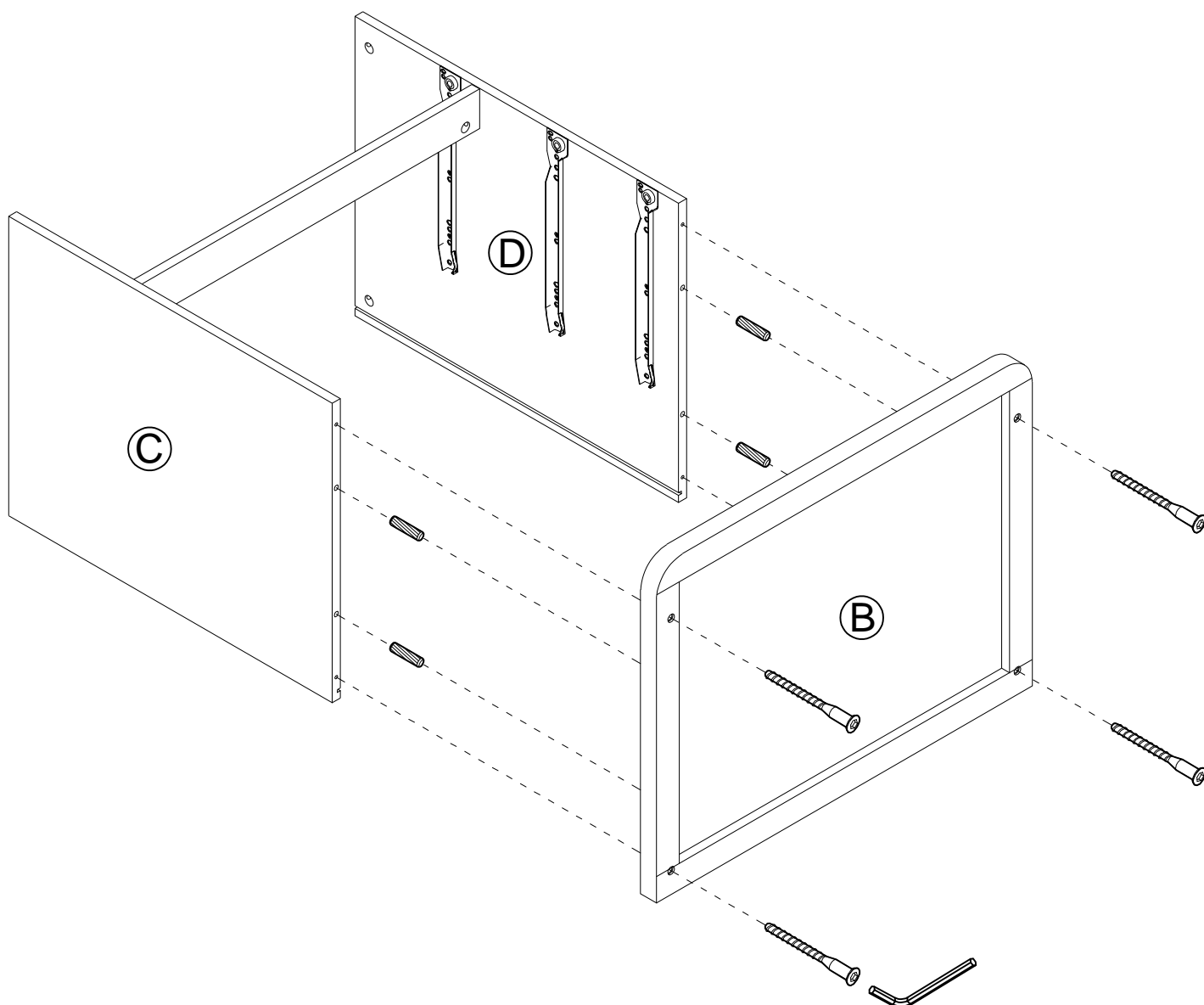
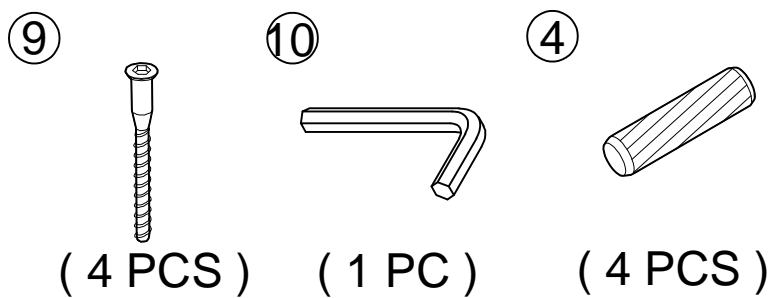
Step 2:

* Attach the FRONT HORIZONTAL PANEL (F) to the LEFT PANEL (C) and RIGHT PANEL (D) by the Two KD LARGE CAM (2) , Two COVER CAP (3) and Two WOOD DOWEL (4) .



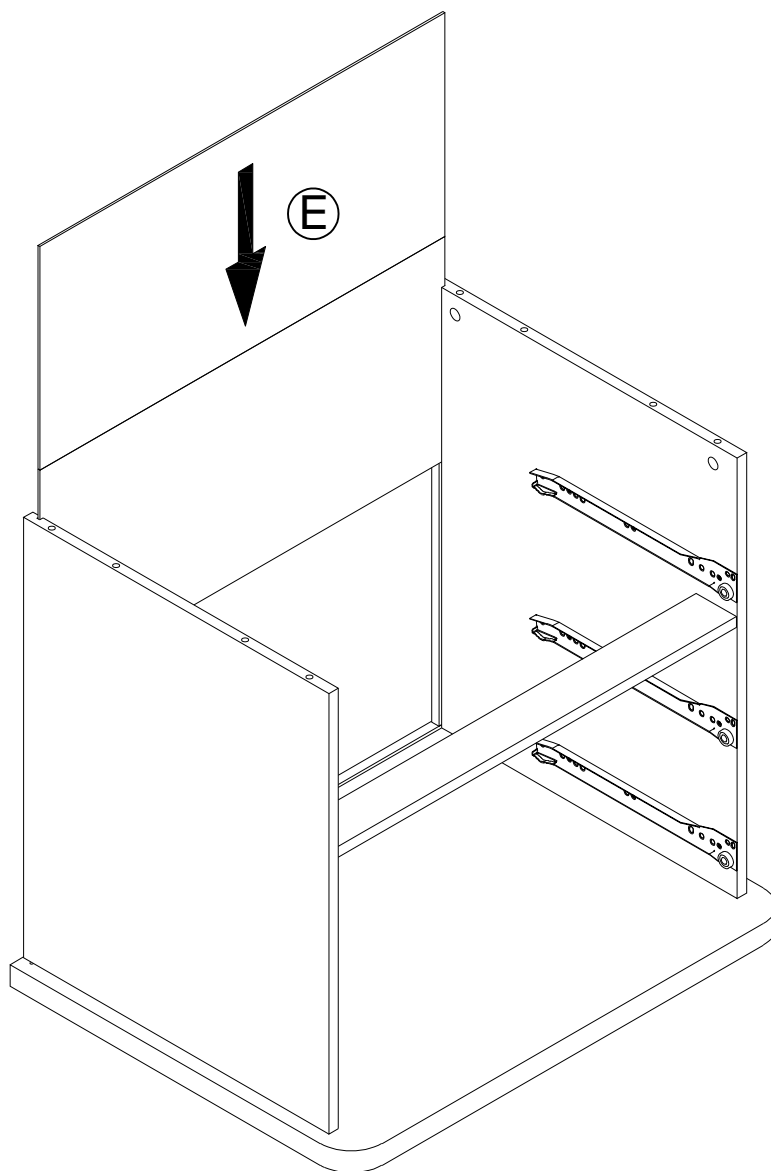
Step 3:

* Attach the BOTTOM PANEL(B) to the LEFT PANEL (C) and RIGHT PANEL(D) by the Four Screw(9), Four WOOD DOWEL (4) and LOCK(10).



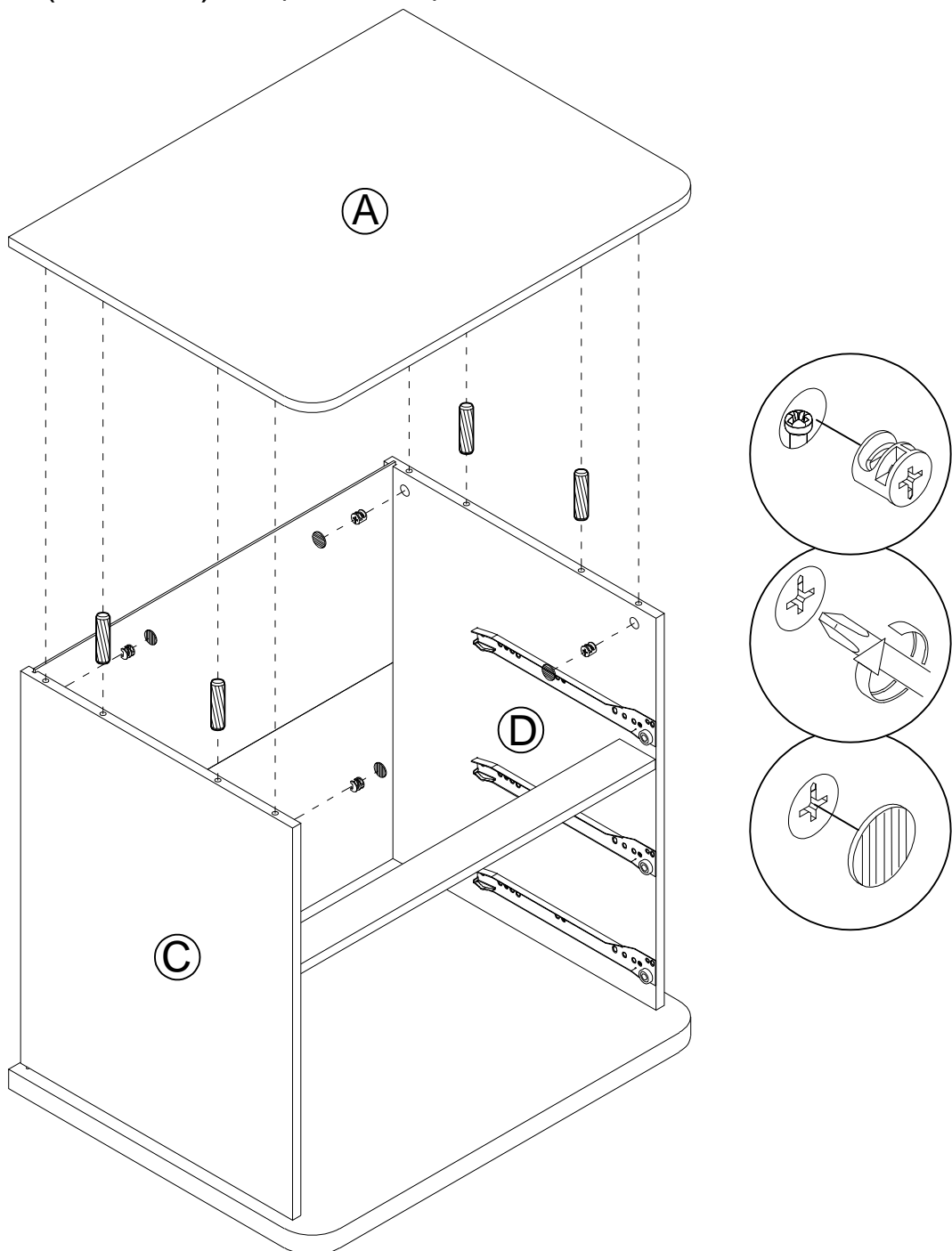
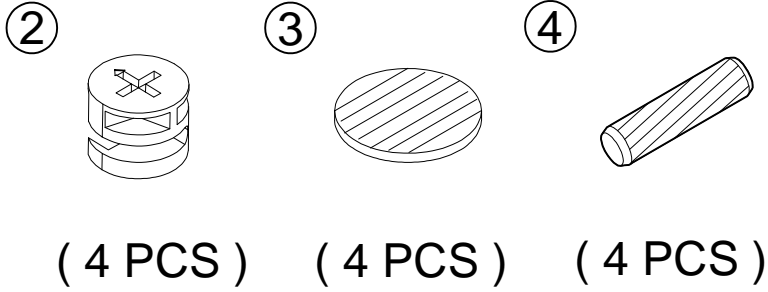
Step 4:

* Insert the BACK PANEL (E) to the stand.



Step 5:

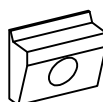
* Attach the TOP PANEL(A) to the LEFT PANEL(C) and RIGHT PANEL(D) by the Four KD LARGE CAM (2) , Four COVER CAP (3) and Four WOOD DOWEL (4) .



Step 6:

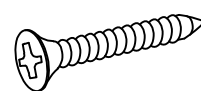
* Insert Ten PLASTIC WEDGE(7) and Ten SCREW(8) to the BACK PANEL (E).

⑦

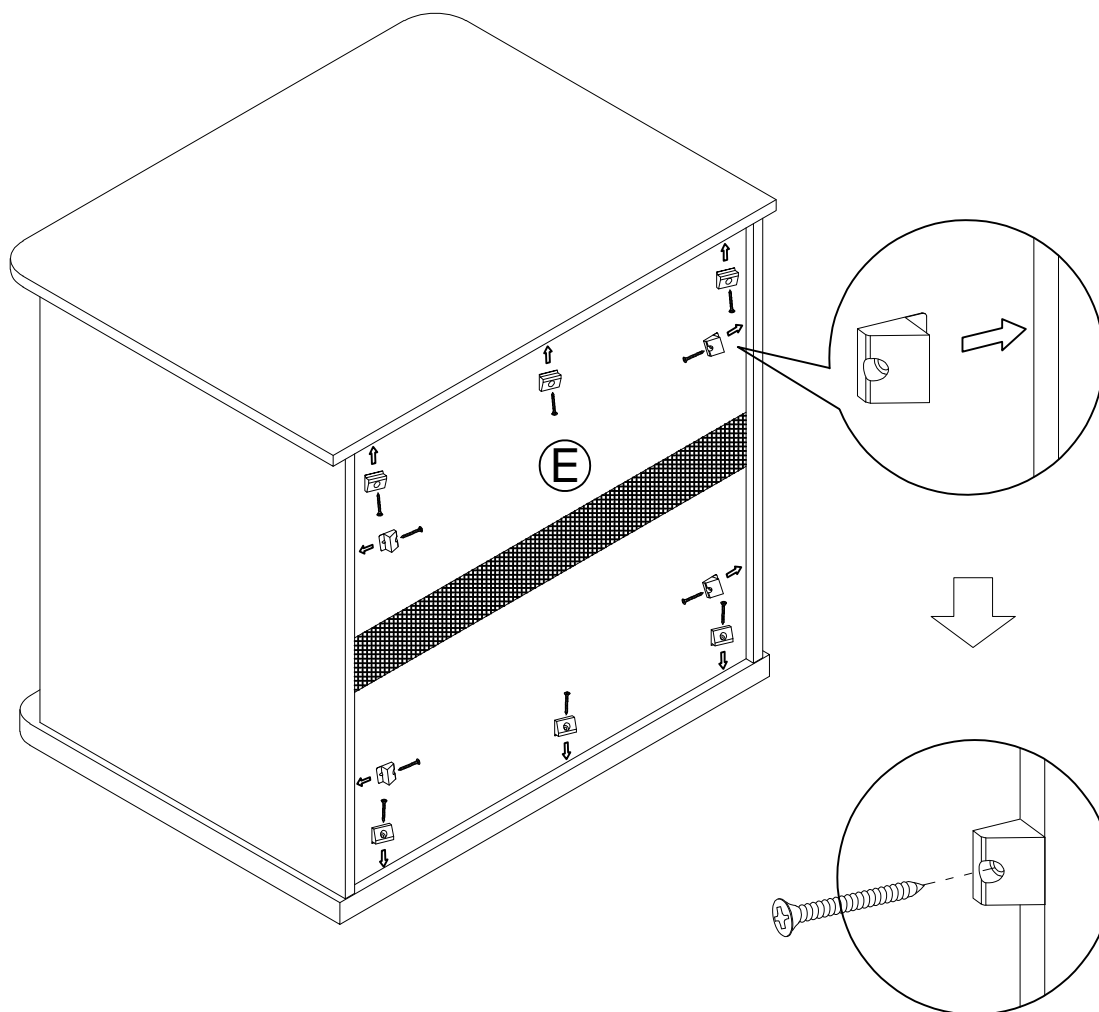


(10 PCS)

⑧

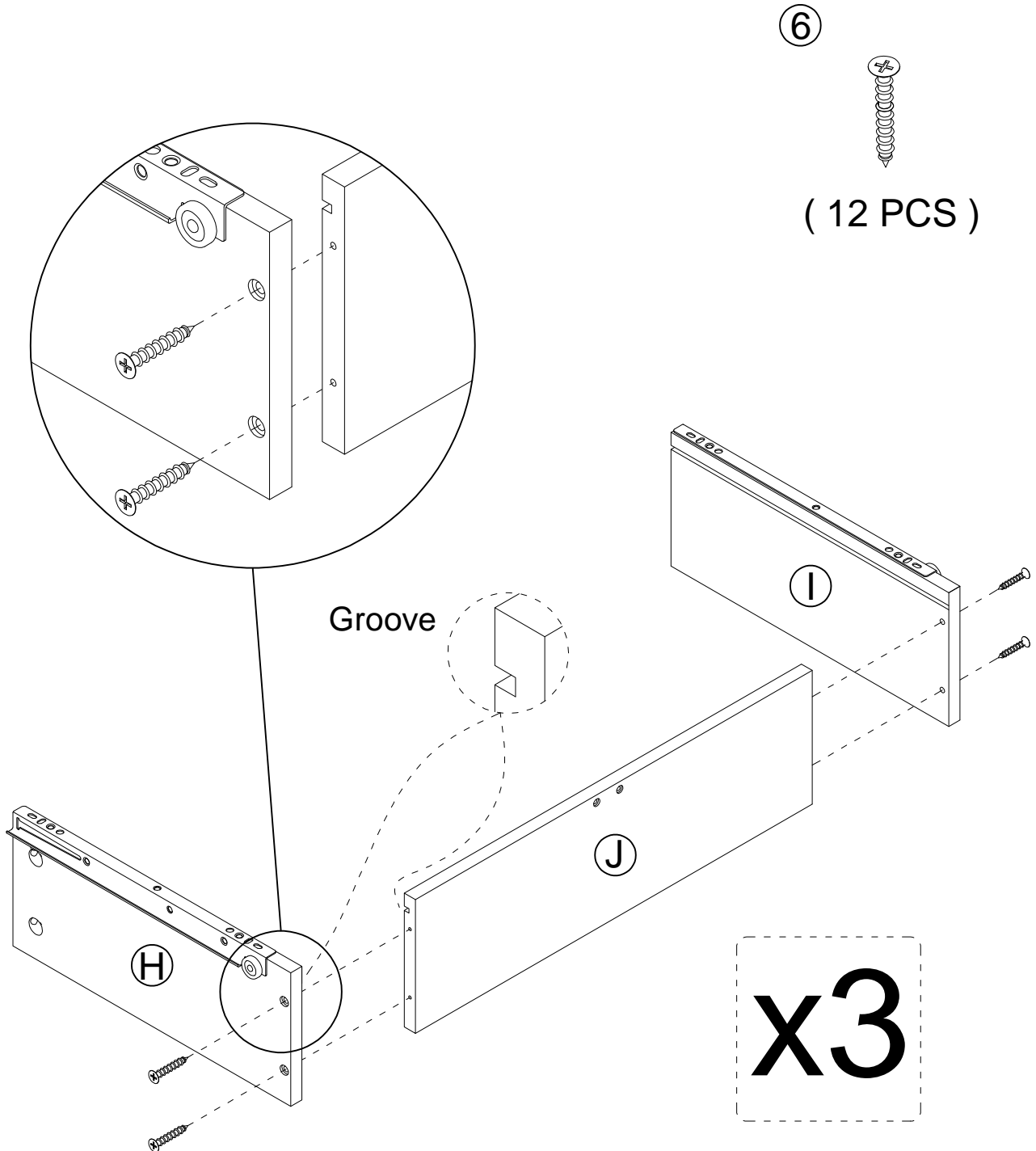


(10 PCS)



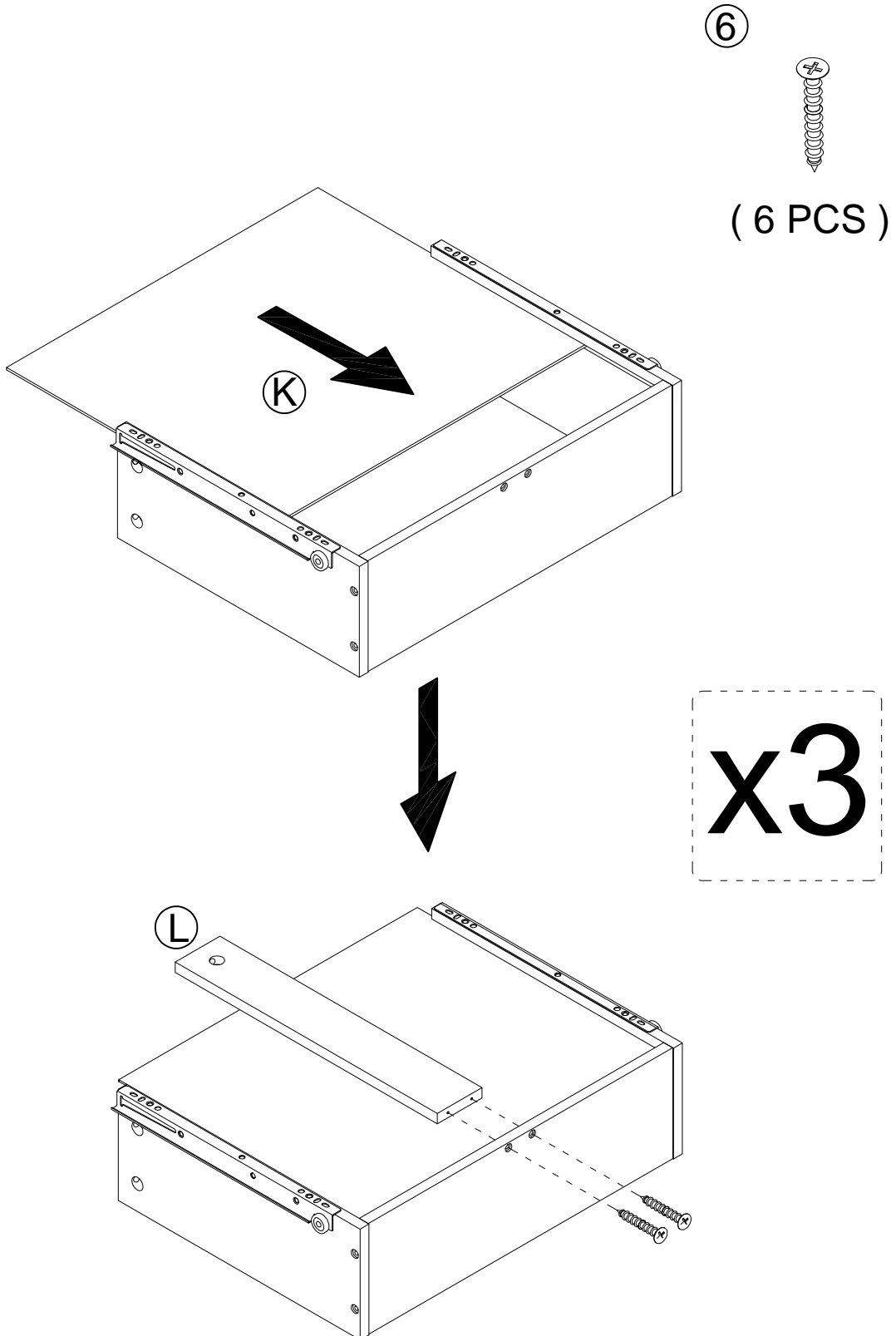
Step 7:

* Assemble the DRAWER BACK PANEL(J) to the DRAWER LEFT PANEL (H) and DRAWER RIGHT PANEL (I) by the SCREW (6) .



Step 8:

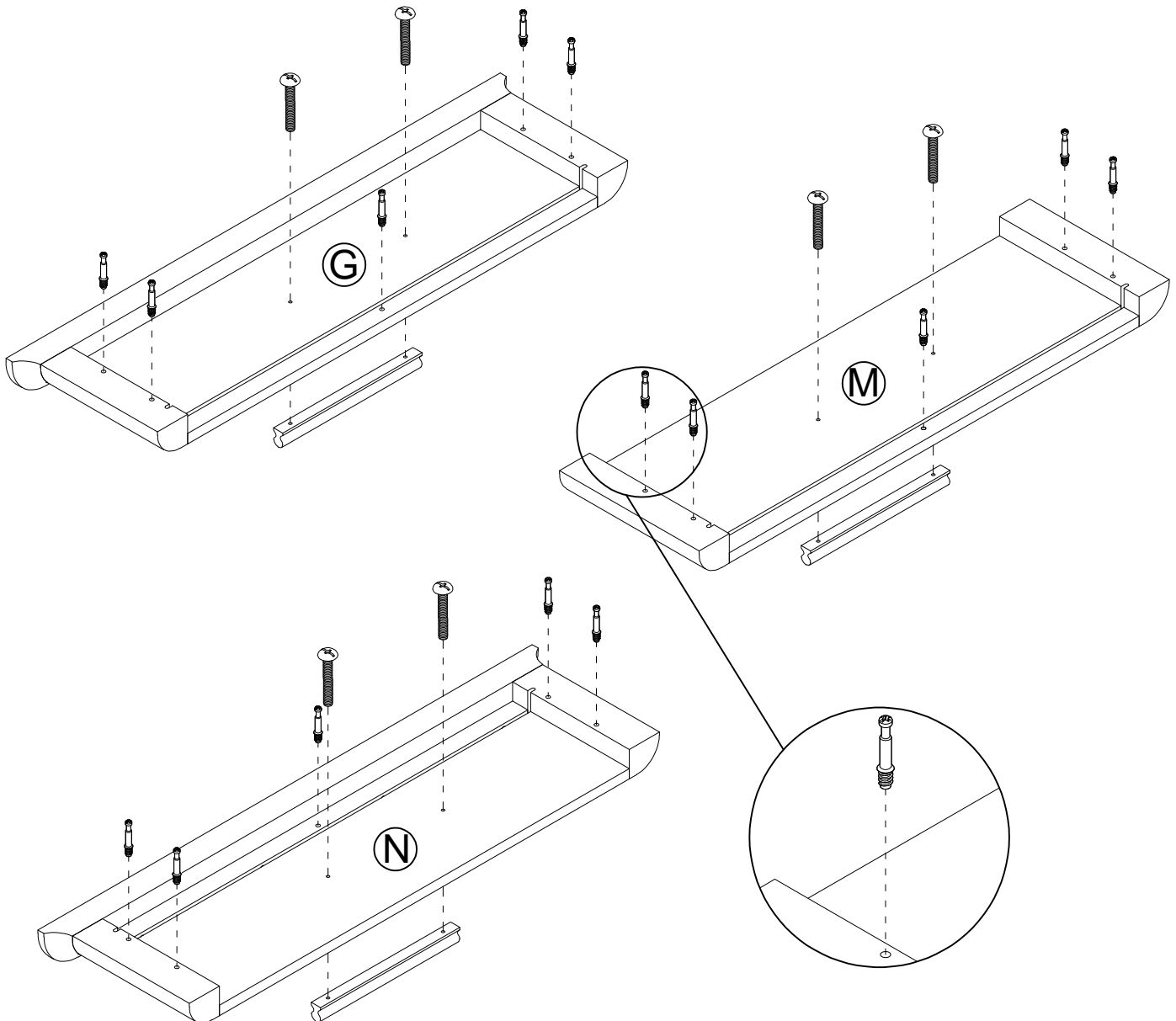
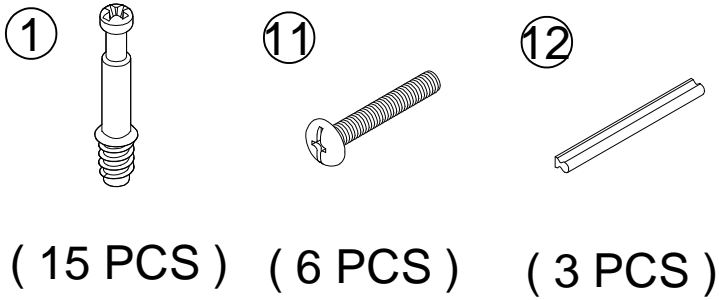
- * Slide in the DRAWER BOTTOM PANEL (K).
- * Assemble the DRAWER SUPPORT PANEL (L) to the DRAWER TRAY by the SCREW (6) .



Step 9:

* Insert Fifteen KD BOLT (1) to the DRAWER FRONT UPPER PANEL (G), DRAWER FRONT MIDDLE PANEL (M) and DRAWER FRONT LOWER PANEL (N).

* Assemble the HANDLE (12) to the DRAWER FRONT UPPER PANEL (G), DRAWER FRONT MIDDLE PANEL (M) and DRAWER FRONT LOWER PANEL (N) by SCREW (11).



Step 10:

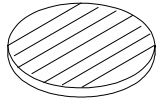
* Assemble the DRAWER FRONT UPPER PANEL (G), DRAWER FRONT MIDDLE PANEL (M) and DRAWER FRONT LOWER PANEL (N) to the Three DRAWER TRAY by the Fifteen KD SMALL CAM (5) and Fifteen COVER CAP (3).

⑤

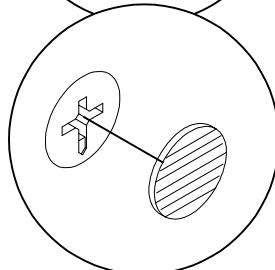
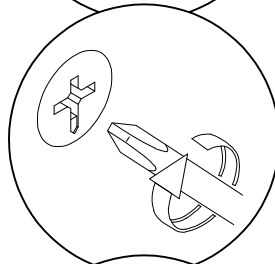
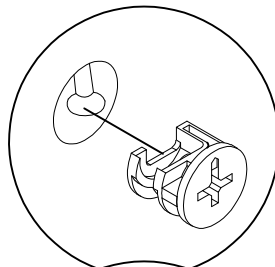
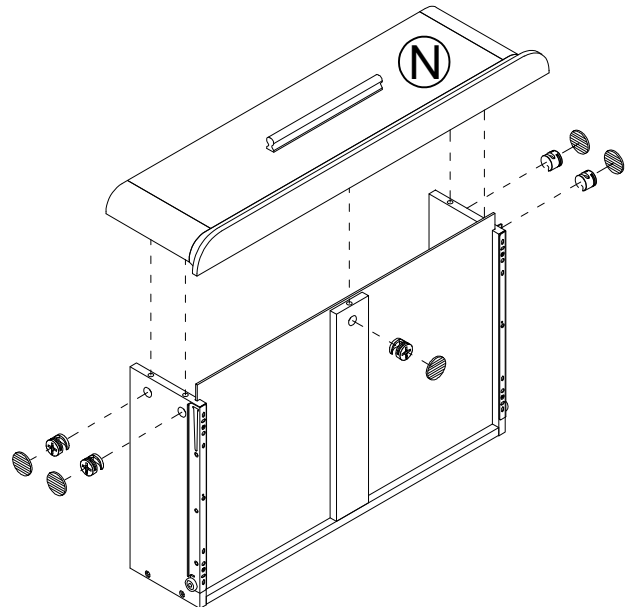
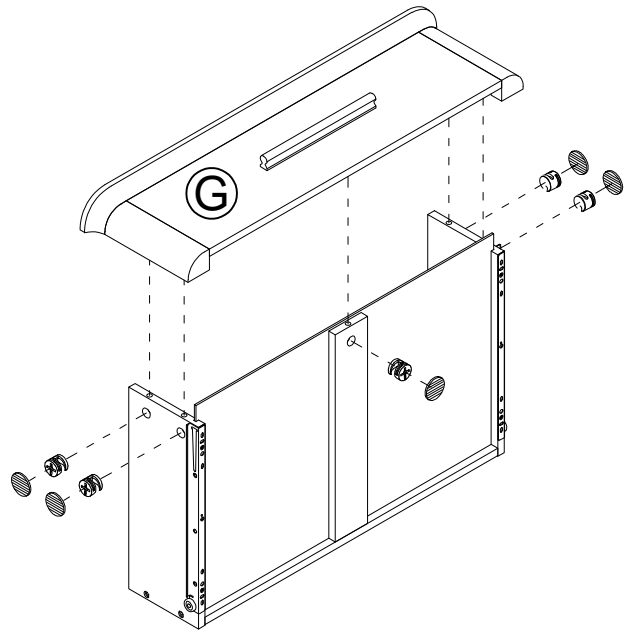
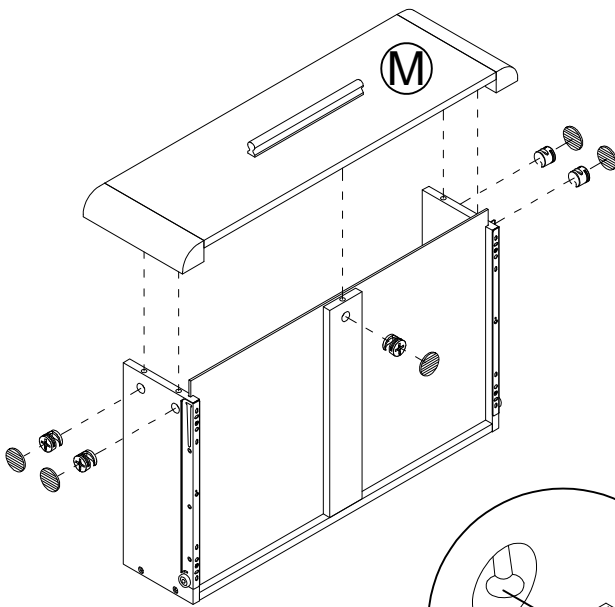


(15 PCS)

③

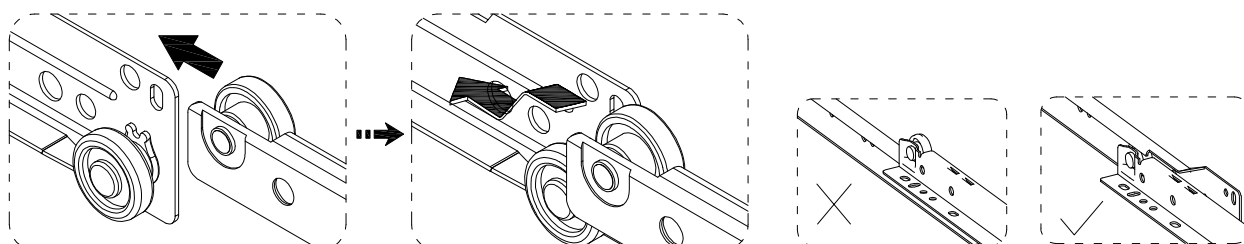
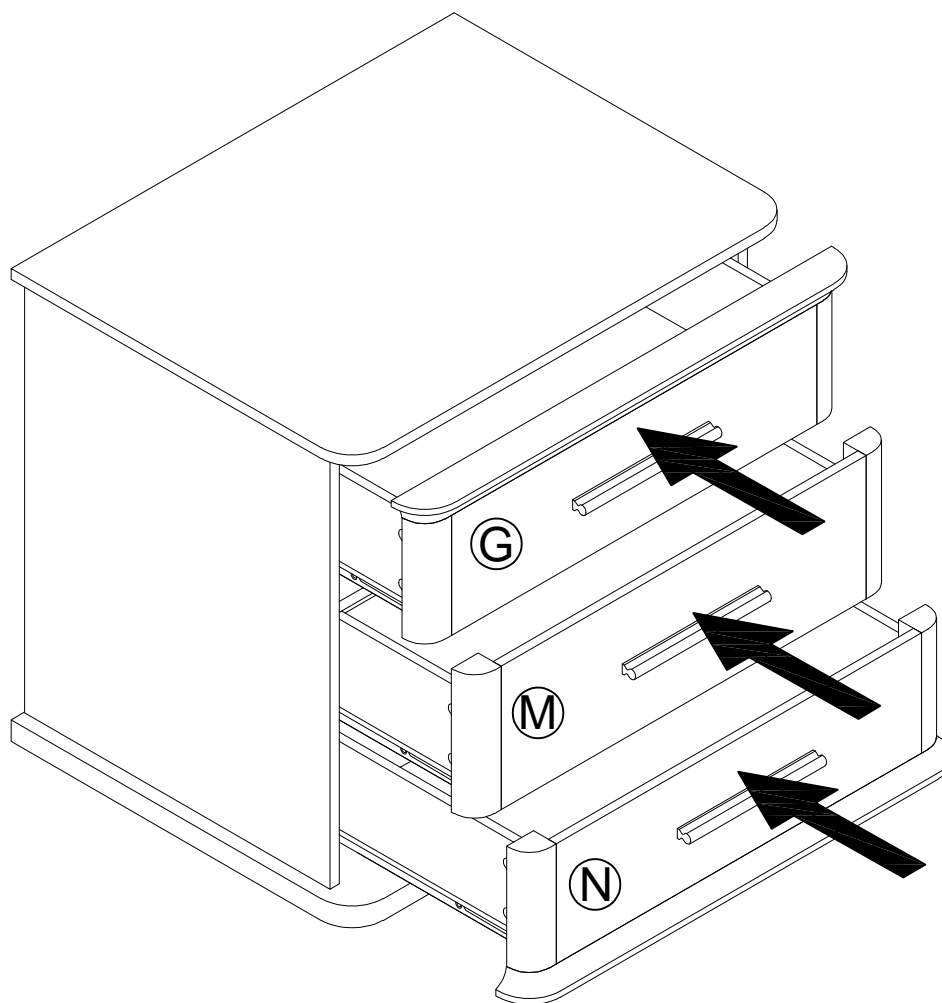


(15 PCS)



Step 11:

*Input Three Drawer tray to the stand.





WARRANTY POLICY

All Manhattan Comfort furniture products are warranted, to the original purchaser at the time of purchase and for a period of 30 days thereafter.

Our warranty is limited to new products purchased in factory sealed cartons. This warranty is valid in the United States of America and Canada.

In order to provide you with timely assistance, please thoroughly inspect your furniture for missing or defective parts immediately after opening the carton.

Manhattan Comfort offers a 30-day parts replacement warranty on all items.

Our furniture products are not intended for outdoor use.

THE WARRANTY DOES NOT COVER:

- Defects/damages by improper assembly or disassembly.
- Defects/damages caused by shipping. Claims for damage during transit should be placed immediately to the transportation company.
- Defects/damages caused by inappropriate use of the furniture.



319 Ridge Rd. Dayton, NJ 08810

908-888-0818