

IF YOU FIND A DEFECTIVE PART

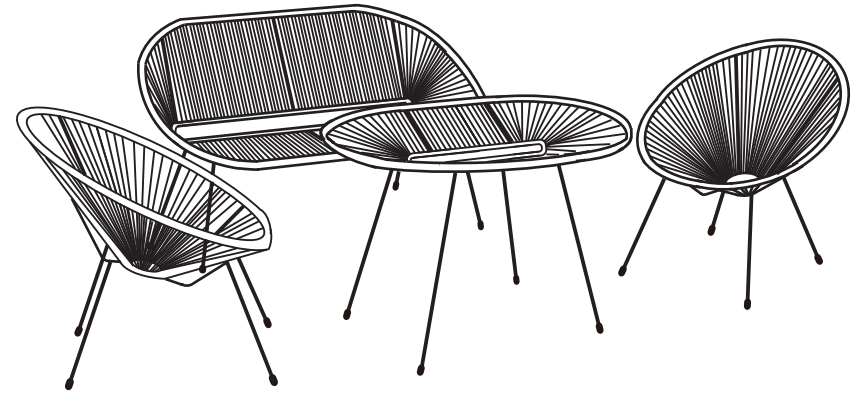
We fully stock all parts and components. Any defective part can be quickly replaced. Take note of the defective part number in manual and we will arrange a replacement.

COPYRIGHT

All material in this instruction manual is copyrighted by AGTC Ltd.
Any unauthorised use may violate worldwide copyright, trademark and other laws.

Instruction manual

CONVERSATION SET



⚠ SAFETY AND CARE ADVICE ⚠

PLEASE READ THESE INSTRUCTIONS CAREFULLY AND KEEP FOR FUTURE REFERENCE

- **Warning:** Please lift with care.
- Check you have all the components and tools listed on pages 2 and 3.
- Remove all fittings from the plastic bags and separate them into their groups.
- Keep children and animals away from the work area, small parts could choke if swallowed.
- Make sure you have enough space to lay out the parts before starting.
- Do not stand or put weight on the product, this could cause damage.
- Assemble the item as close to its final position as possible.

- Assemble on a soft level surface to avoid damaging the unit (use opened out unit carton).



- We do not recommend the use of power drill/drivers for inserting screws, as this could damage the unit. Only use hand screwdrivers.
- **Safety note:** Dispose of all packaging carefully and responsibly.

CARE AND MAINTENANCE

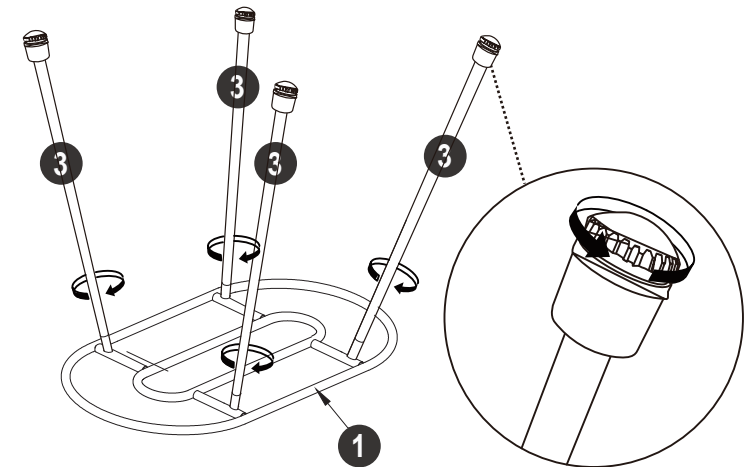
- Only clean using a damp cloth and mild detergent, do not use bleach or abrasive cleaners.
- From time to time check that there are no loose screws on this unit.

- This product should not be discarded with household waste. Take to your local authority waste disposal center.

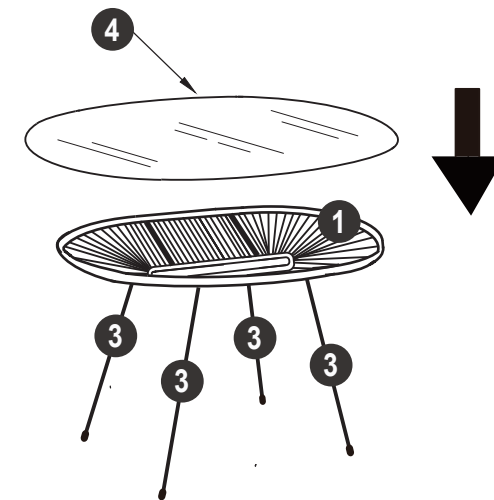
Note: If required the next page can be cut out and used as reference throughout the assembly. Keep this page with these instructions for future reference.

ASSEMBLY INSTRUCTIONS

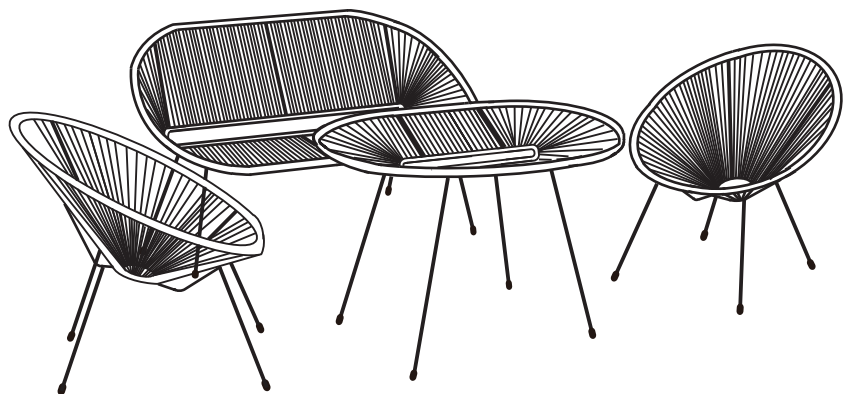
Step 5



Step 6



ASSEMBLY INSTRUCTIONS



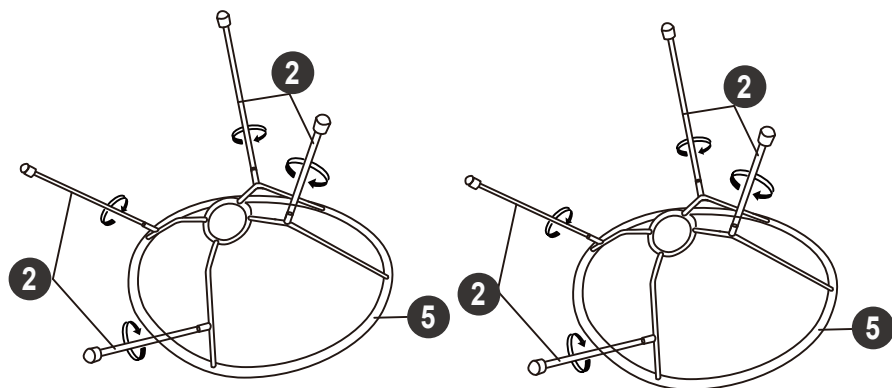
Congratulations! Now you have finished assembling the product.

CONTENTS

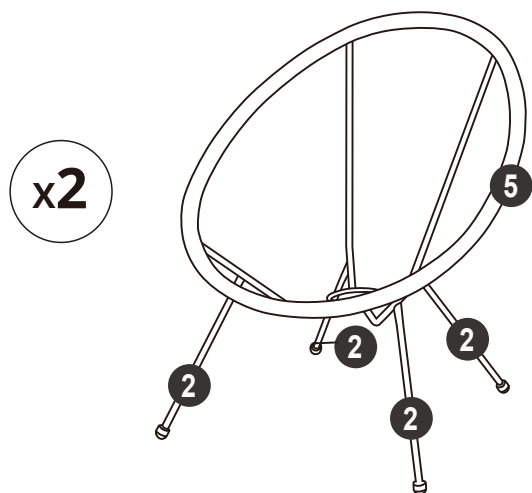
Safety and care advice	1
Components	2
Assembly instructions	3
Copyright	8

ASSEMBLY INSTRUCTIONS

Step 1



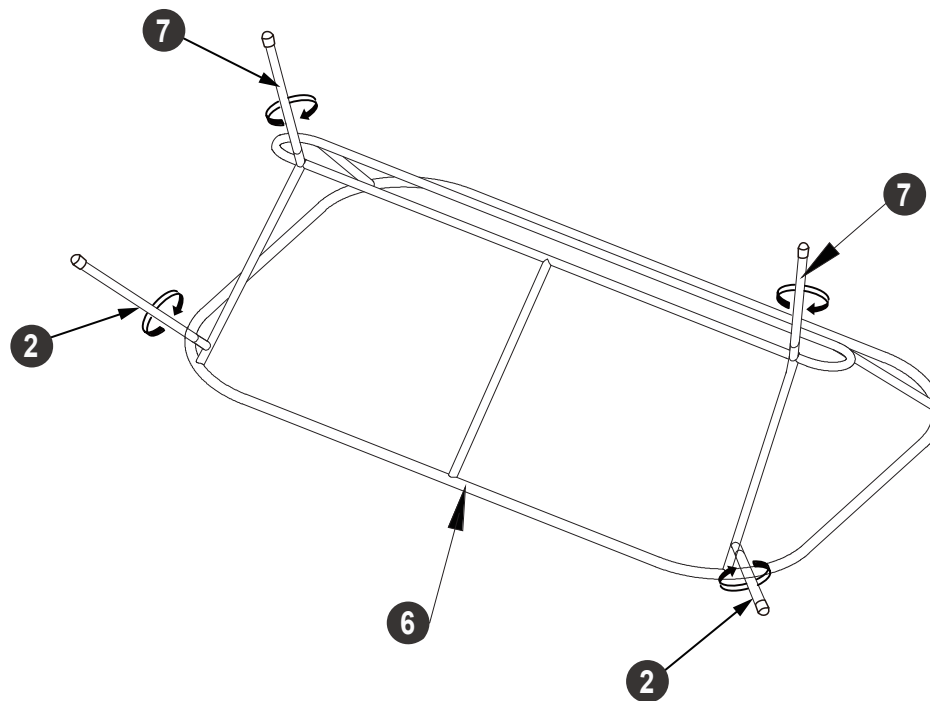
Step 2



3

ASSEMBLY INSTRUCTIONS

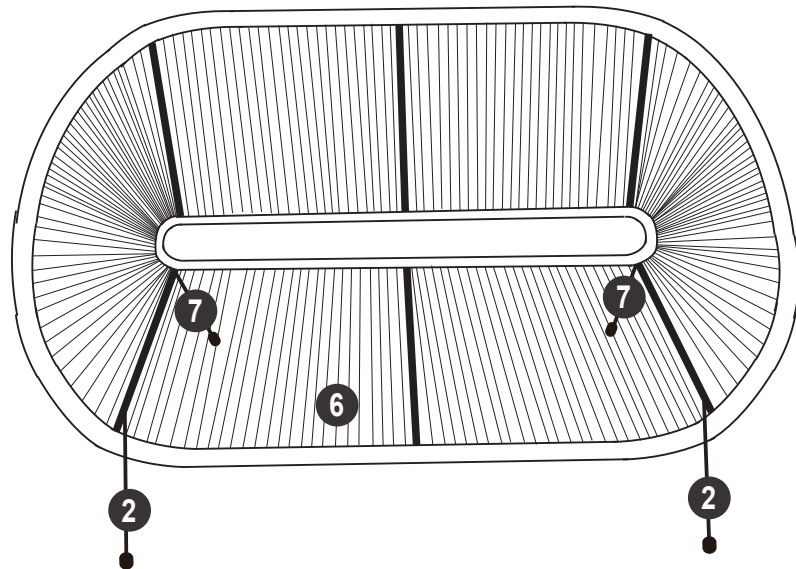
Step 3



4

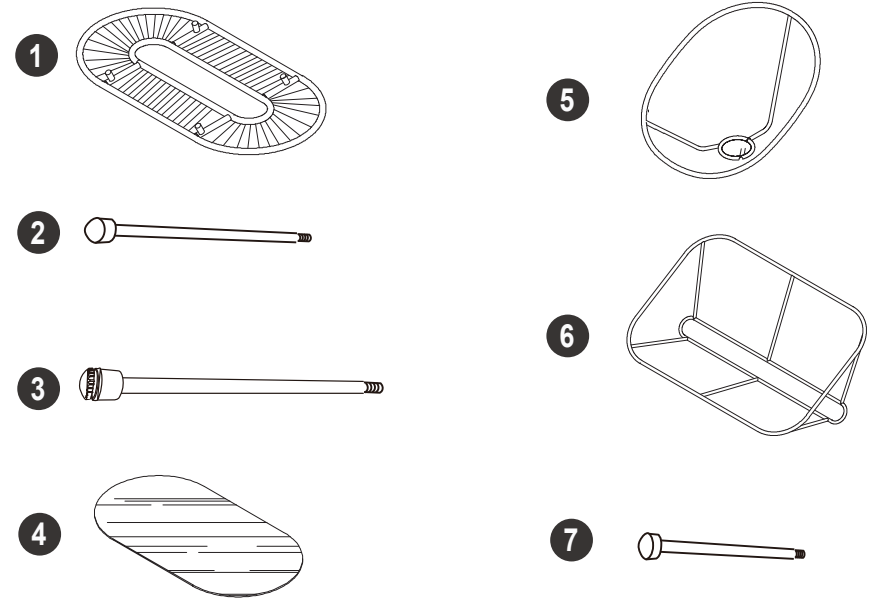
ASSEMBLY INSTRUCTIONS

Step 4



COMPONENTS

Ensure the following components are in the box before proceeding with assembly:



PART LIST

1	Table Frame	x1	5	Chair Frame	x2
2	Chair Leg	x10	6	2-Seat Chair Frame	x1
3	Table Leg	x4	7	2-Seat Chair Short Leg	x2
4	Glass Top	x1			

