



**FOR REPLACEMENT PARTS OR HELP WITH
ASSEMBLY PLEASE CONTACT US**

**PLEASE ENSURE TO HAVE THE MODEL #
FROM THE PACKAGING OR INSTRUCTION BOOKLET**

**TO RETURN THE PRODUCT:
PLEASE CONTACT THE RETAILER
WHERE THE ITEM WAS PURCHASED FROM**

IMPORTANT : Please read this manual carefully before beginning assembly of this product. Keep this manual for future reference.

SAFETY INFORMATION

Identify all the parts and hardware. Do not discard of the packaging until you have checked that you have all of the parts and hardware required. Hardware package may have spare parts.

WARNING: This item contains small parts which can be swallowed by children and pets. Keep children and pets away during assembly. To avoid danger of suffocation, always keep plastic bags away from children and pets. We recommend that you assemble this unit on a carpeted floor to avoid scratches. If using power tools, set the tool to low torque to avoid damage.

May require 2 people for ease of assembly.

CARE and MAINTENANCE

To clean, use a soft or slightly damp cloth, then wipe with a clean, dry cloth. Dust with soft dry cloth.

Do not use ammonia-based cleaning products, as they will damage the finish.

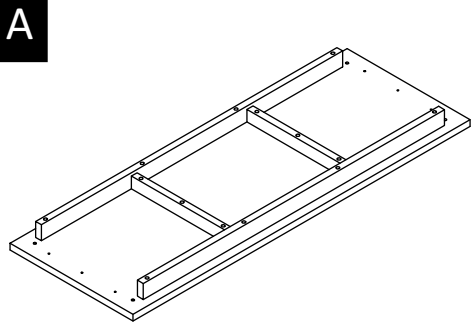
Do not leave liquids or damp cloths on this furniture.

To avoid dulling of the finish, do not place furniture in direct sunlight.

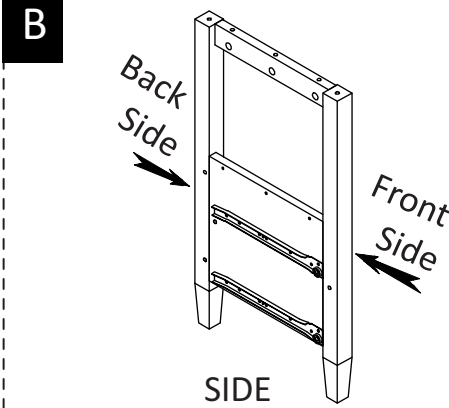
Please inspect and tighten all screws or bolts on a regular basis to ensure proper performance and safety of your item.

PRE-ASSEMBLY INFORMATION

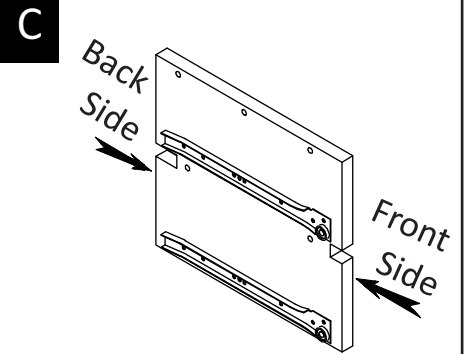
PARTS DESCRIPTION



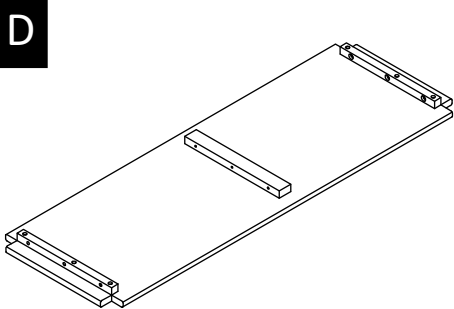
TOP
QTY 1



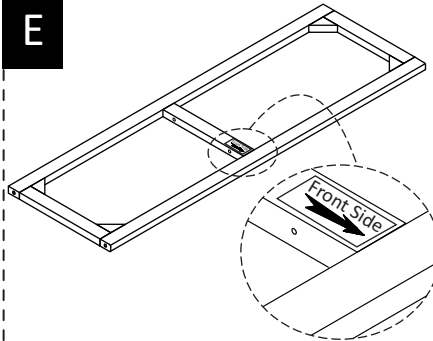
SIDE
QTY 1 PAIR



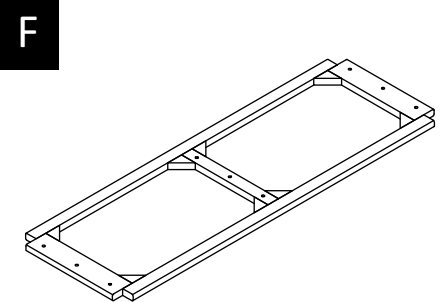
DIVIDER
QTY 1



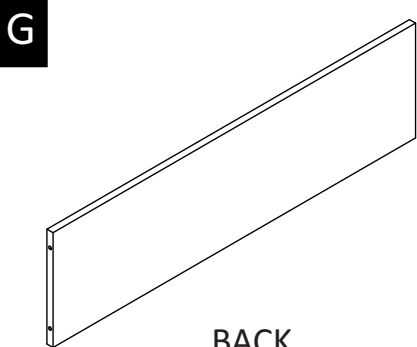
TOP SHEL
QTY 1



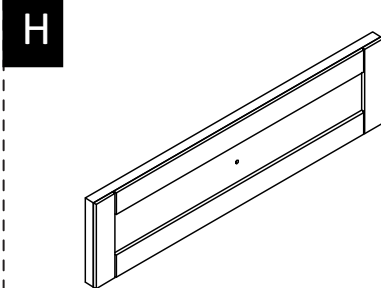
MIDDLE FRAME
QTY 1



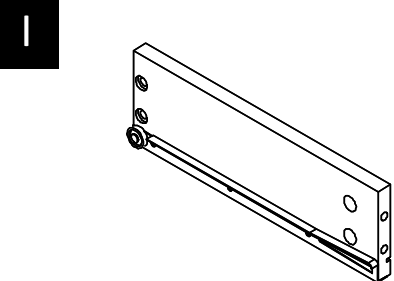
BOTTOM FRAME
QTY 1



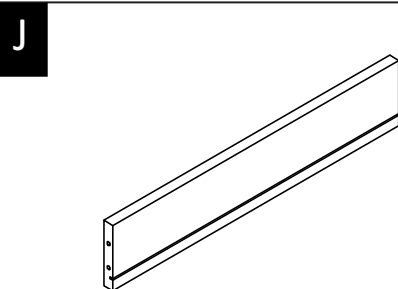
BACK
QTY 1



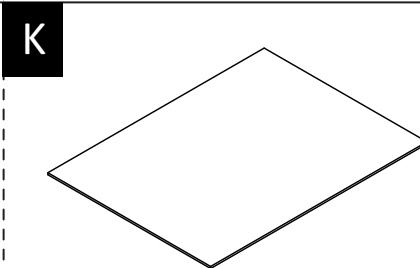
DRAWER FRONT
QTY 4



DRAWER SIDE
QTY 4 PAIRS



DRAWER BACK
QTY 4



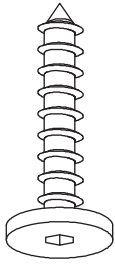
DRAWER BOTTOM
QTY 4

NEED HELP? For help with assembly or if you are missing a part,
Please call customer service

PRE-ASSEMBLY INFORMATION

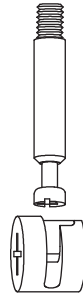
HARDWARE DESCRIPTION

1



ALLEN KEY SCREW
M6 X 30 mm
QTY 36

2



CAM LOCK PIN
CAM LOCK
QTY 22 SETS

3



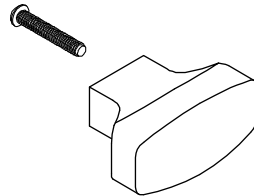
WOOD DOWEL
Ø8 X 30 mm
QTY 12

4

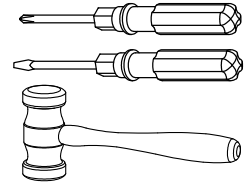


ALLEN KEY
QTY 1

5



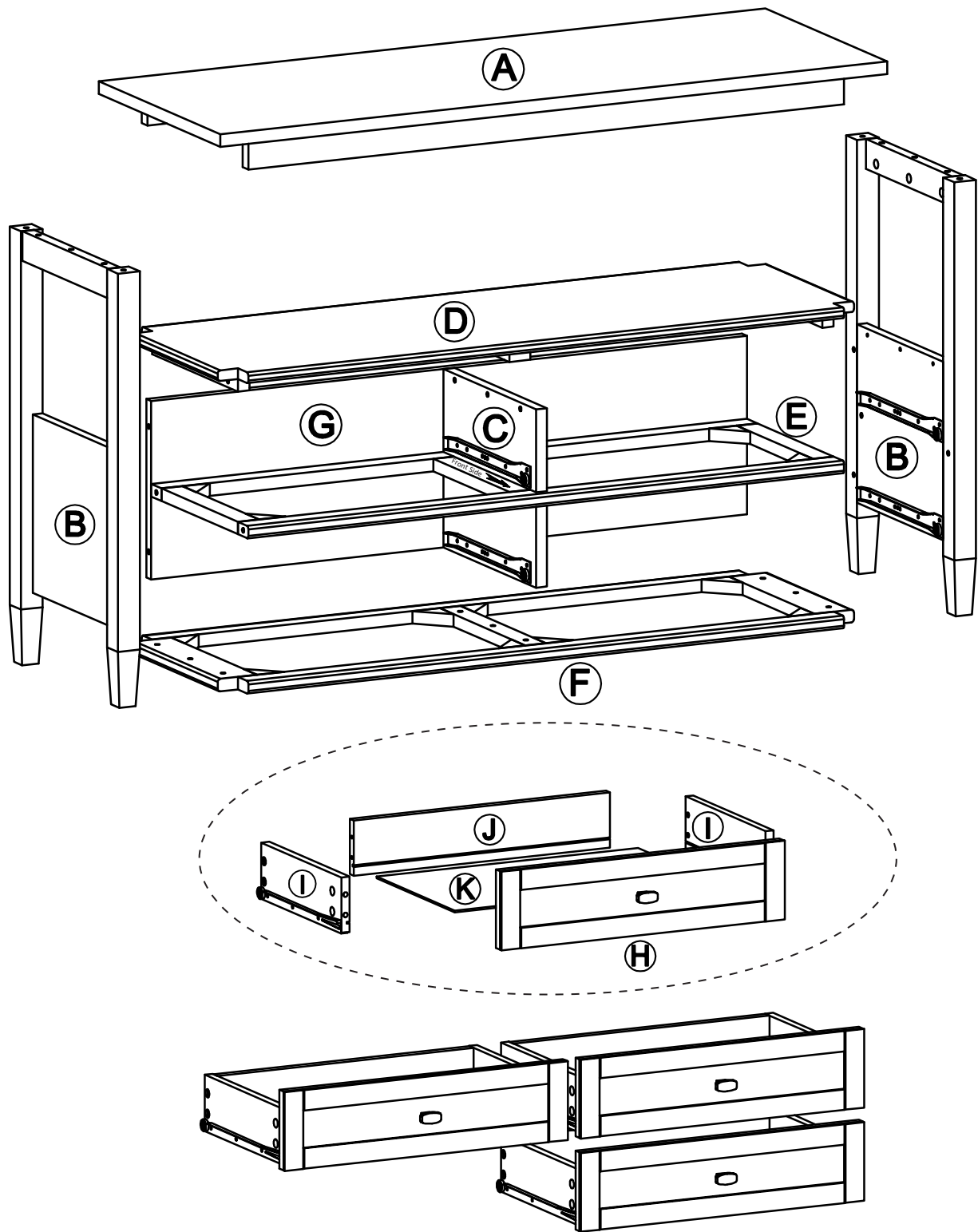
HANDLE
QTY 4 SETS



Required -
Flathead screwdriver
Phillips screwdriver
Rubber mallet
Not Included

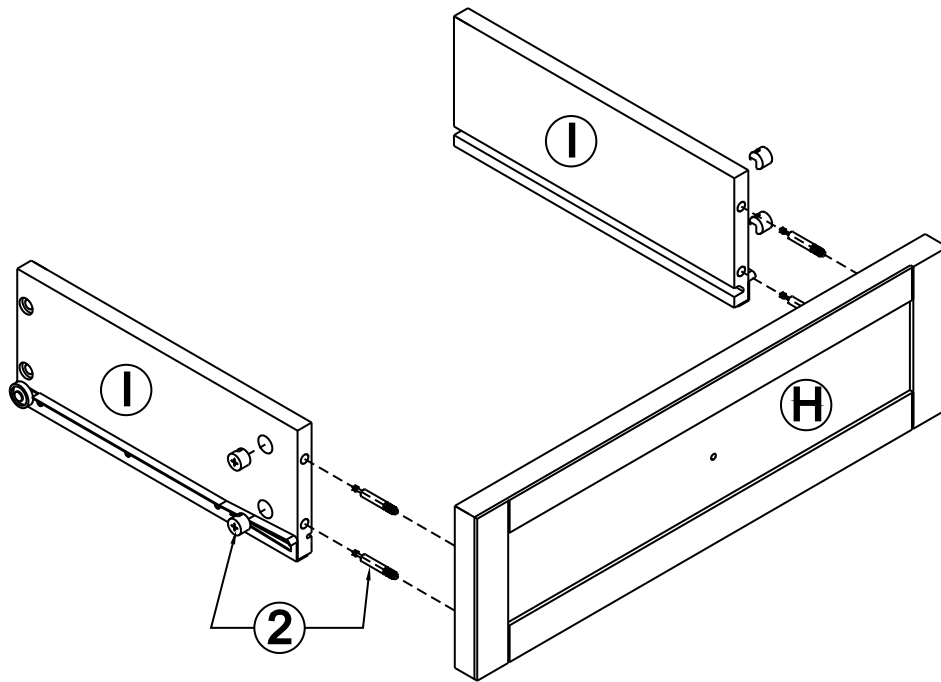
NEED HELP? For help with assembly or if you are missing a part,
Please call customer service

COMPONENTS – KEY DIAGRAM



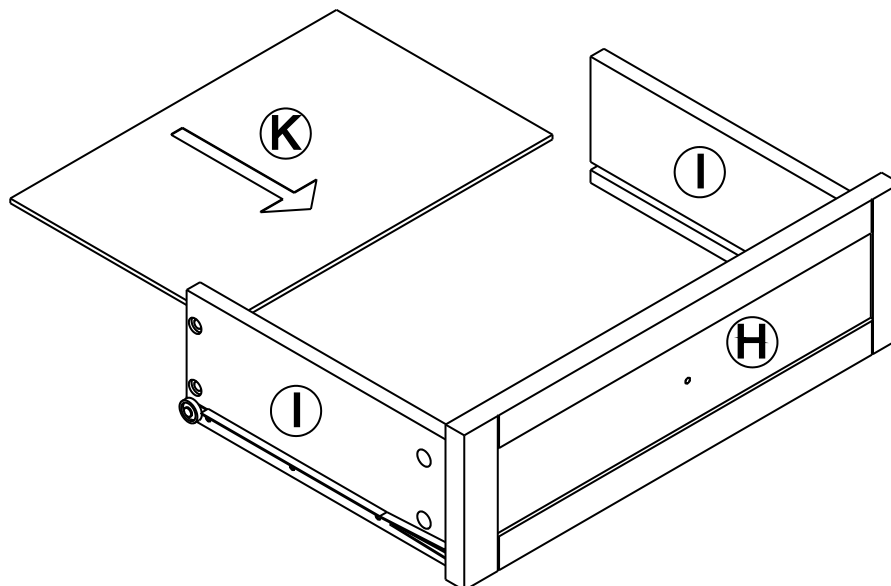
ASSEMBLY

STEP 1



1. Attach 4 Cam Lock Pins (2) to back of Drawer Front (H).
2. Align Cam Lock Pins with pre-drilled holes and attach Drawer Sides (I).
3. Insert 2 Cam Locks (2) into pre-drilled holes on each Drawer Side (I).
4. Use flathead screwdriver secure Cam Locks.

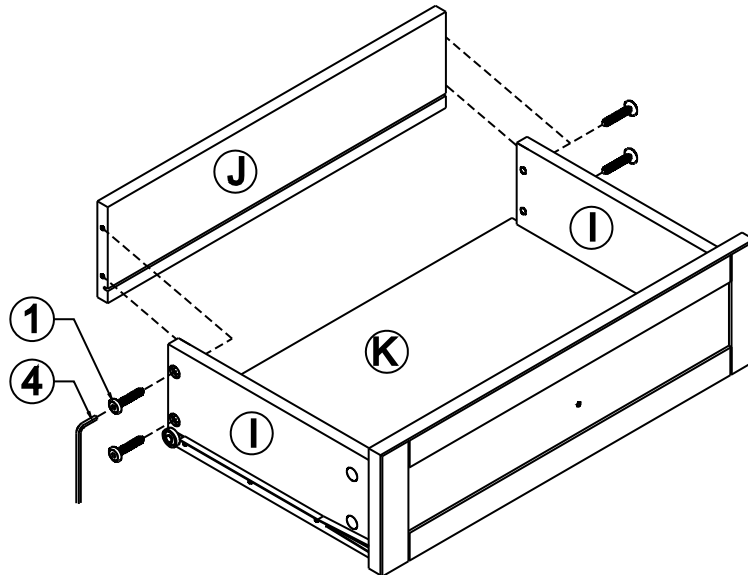
STEP 2



1. Slide Drawer Bottom (K) firmly into slots on Drawer Sides (I) and Drawer Front (H).

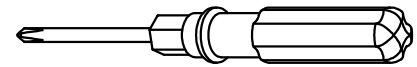
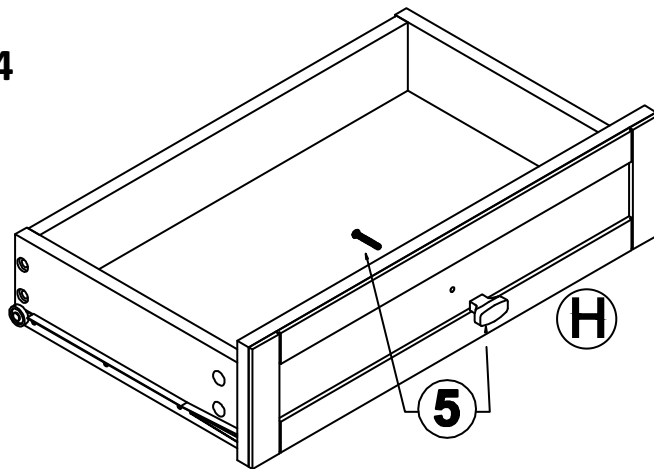
ASSEMBLY

STEP 3



1. Align Drawer Back (J) with Drawer Bottom (K) and press firmly into slot .
2. Attach back using 2 Allen Key Screws (1) through pre-drilled holes on each Side (I).
3. Use Allen Key (4) to tighten screws. Do not over-tighten.

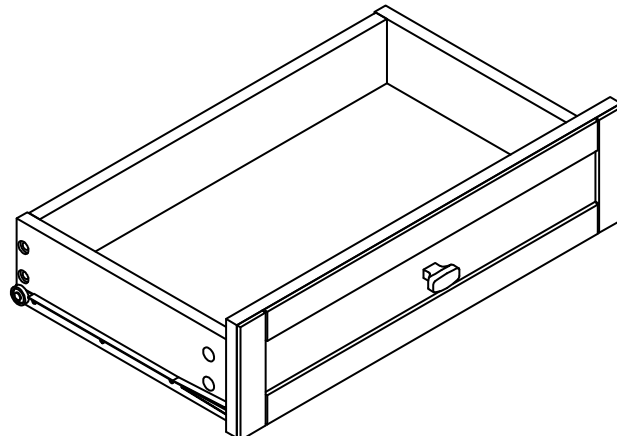
STEP 4



NOTE: The screwdriver is not included in the hardware pack.

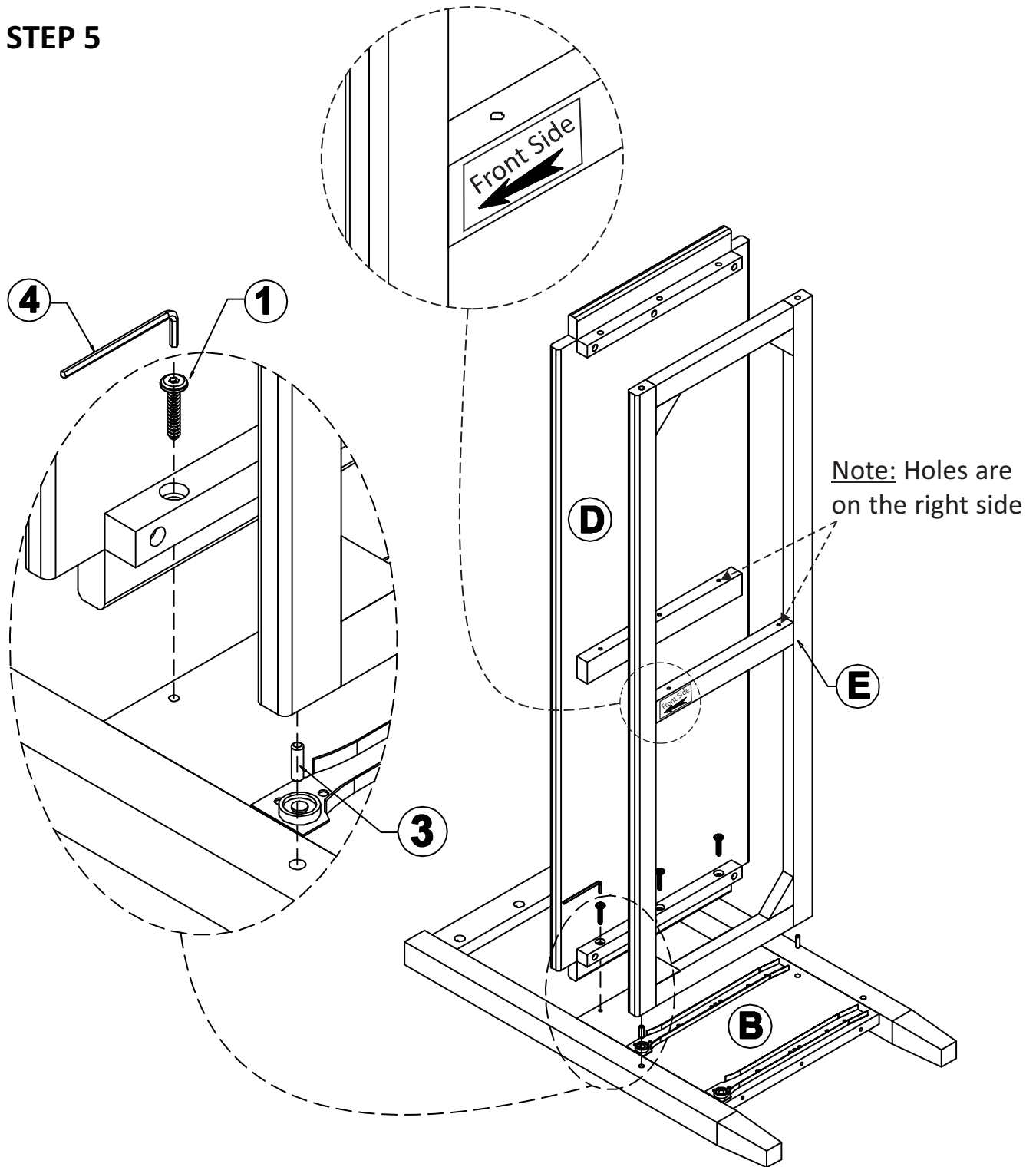
1. Use Phillips Screwdriver to attach Handle (5) to Drawer Front (H).

Repeat Step 1-4 for the other three drawers.



ASSEMBLY

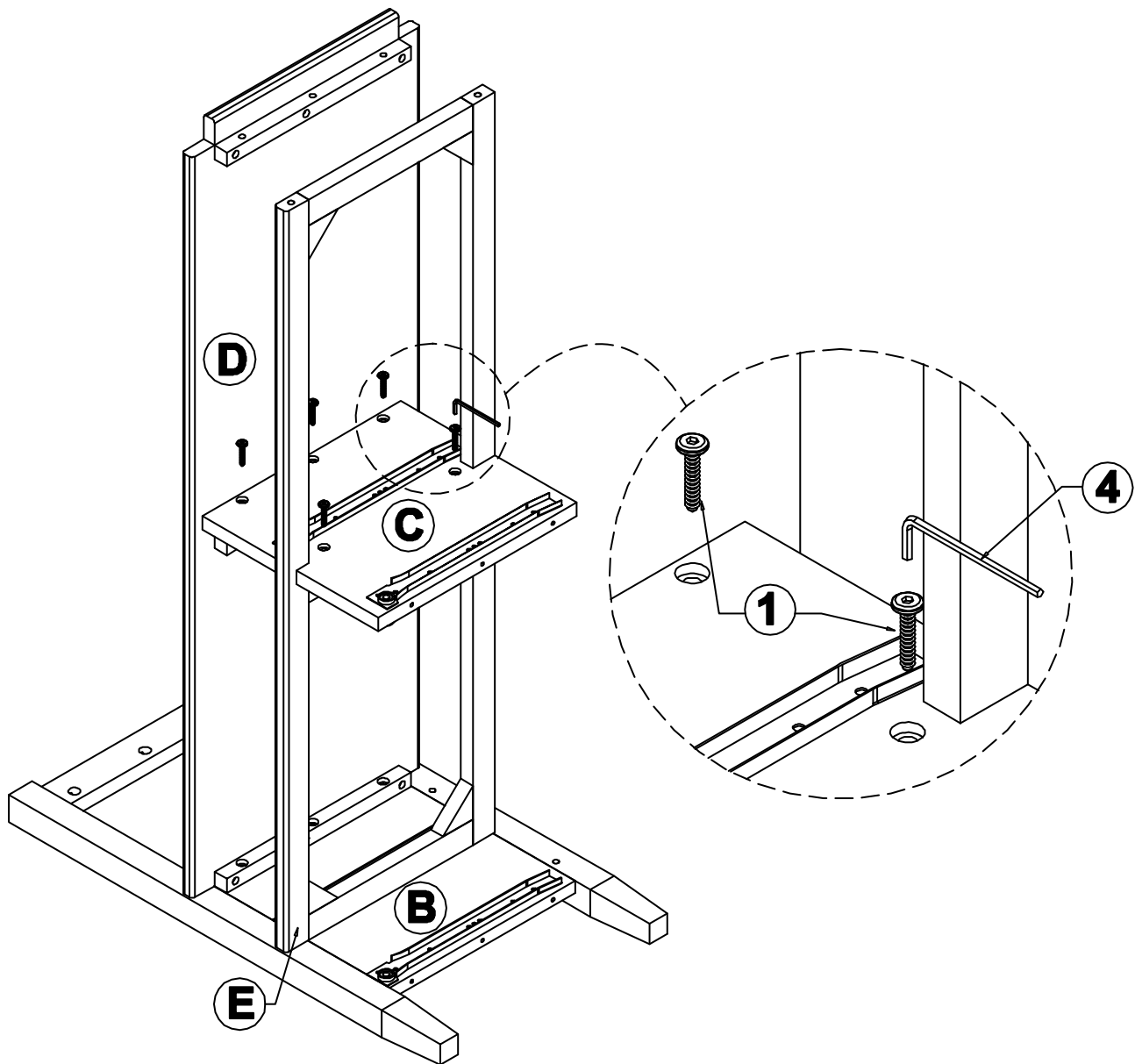
STEP 5



1. Insert 2 Wood Dowels (3) into Middle Frame (E).
2. Use rubber mallet to tap Dowels (3) into bottom of holes securely. $\frac{1}{2}$ length of dowels should be exposed.
3. Attach Middle Frame (E) by inserting exposed dowel ends into matching pre-drilled holes on Side (B).
4. Attach Top Shelf (D) to Side (A) using 3 Allen Key Screws (1).
5. Use Allen Key (4) to snugly tighten. Do not over-tighten.

ASSEMBLY

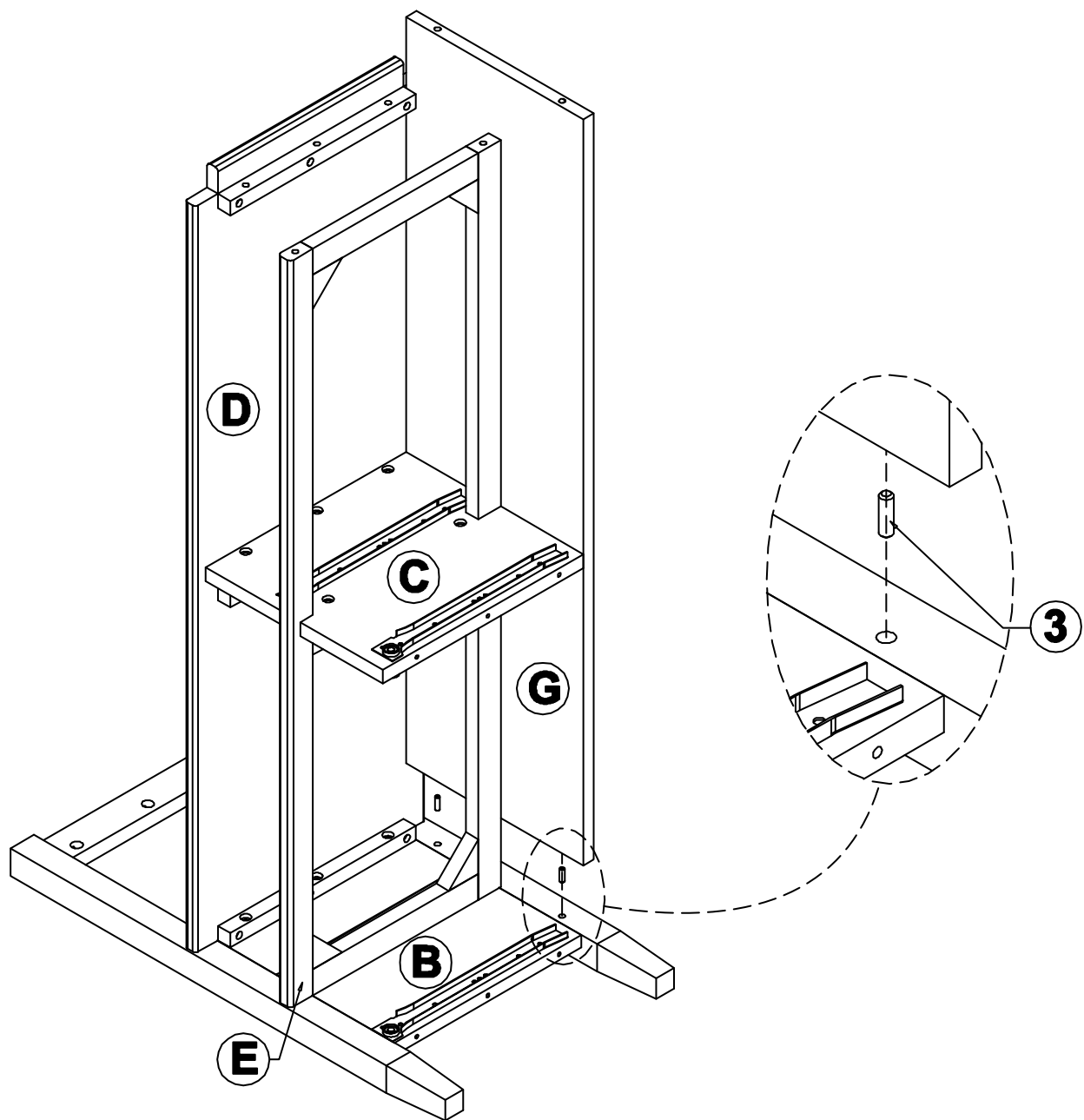
STEP 6



1. Attach Divider (C) to Top Shelf (D) and Middle Frame (E) using 5 Allen Key Screws (1).
2. Use Allen Key (4) to tighten screws. Do not over-tighten.

ASSEMBLY

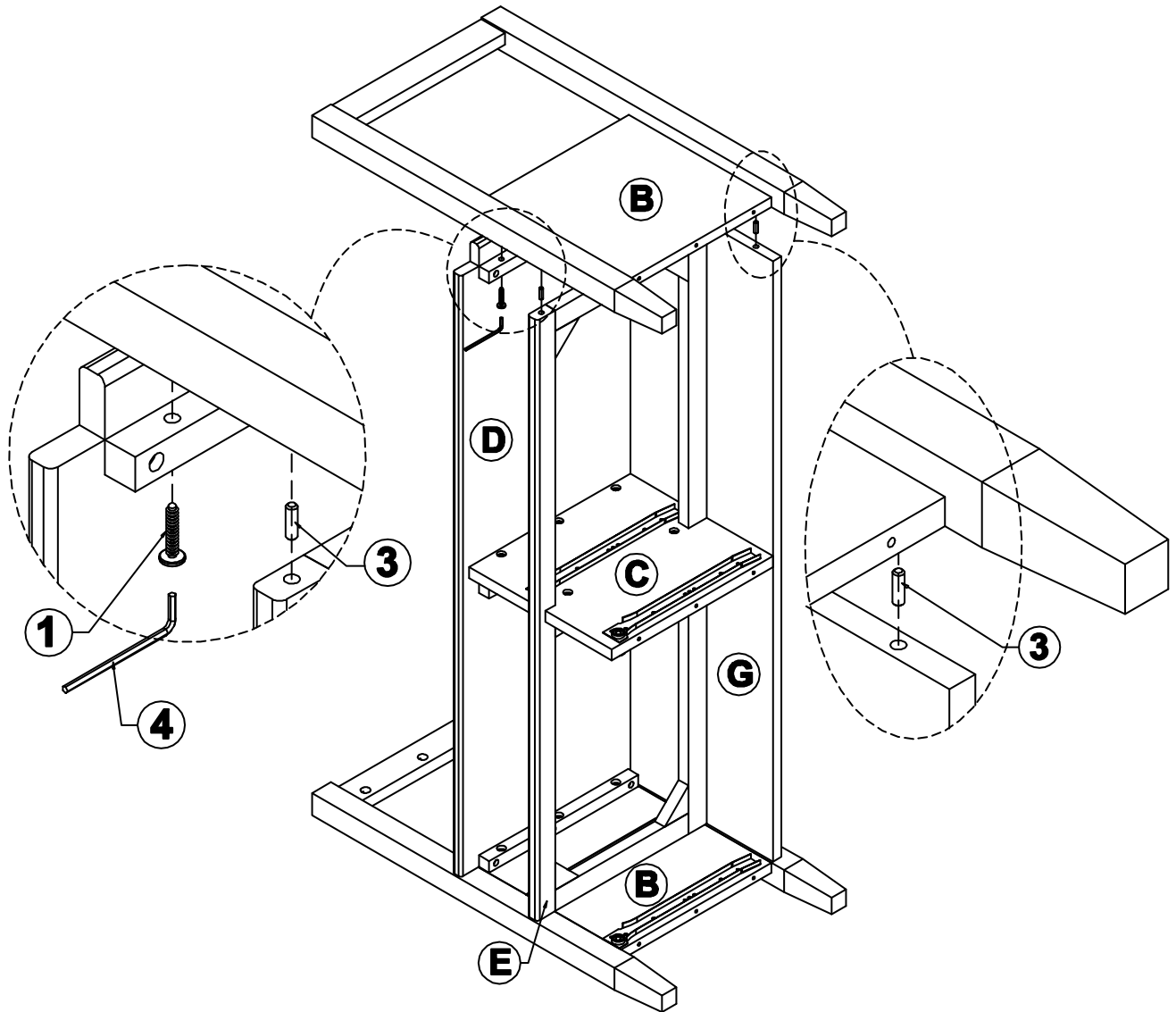
STEP 7



1. Insert 2 Wood Dowels (3) into Back Panel (G).
2. Use rubber mallet to tap Dowels (3) into bottom of holes securely. $\frac{1}{2}$ length of dowels should be exposed.
3. Attach Back Panel (G) by inserting exposed dowel ends into matching pre-drilled holes on Side (B).

ASSEMBLY

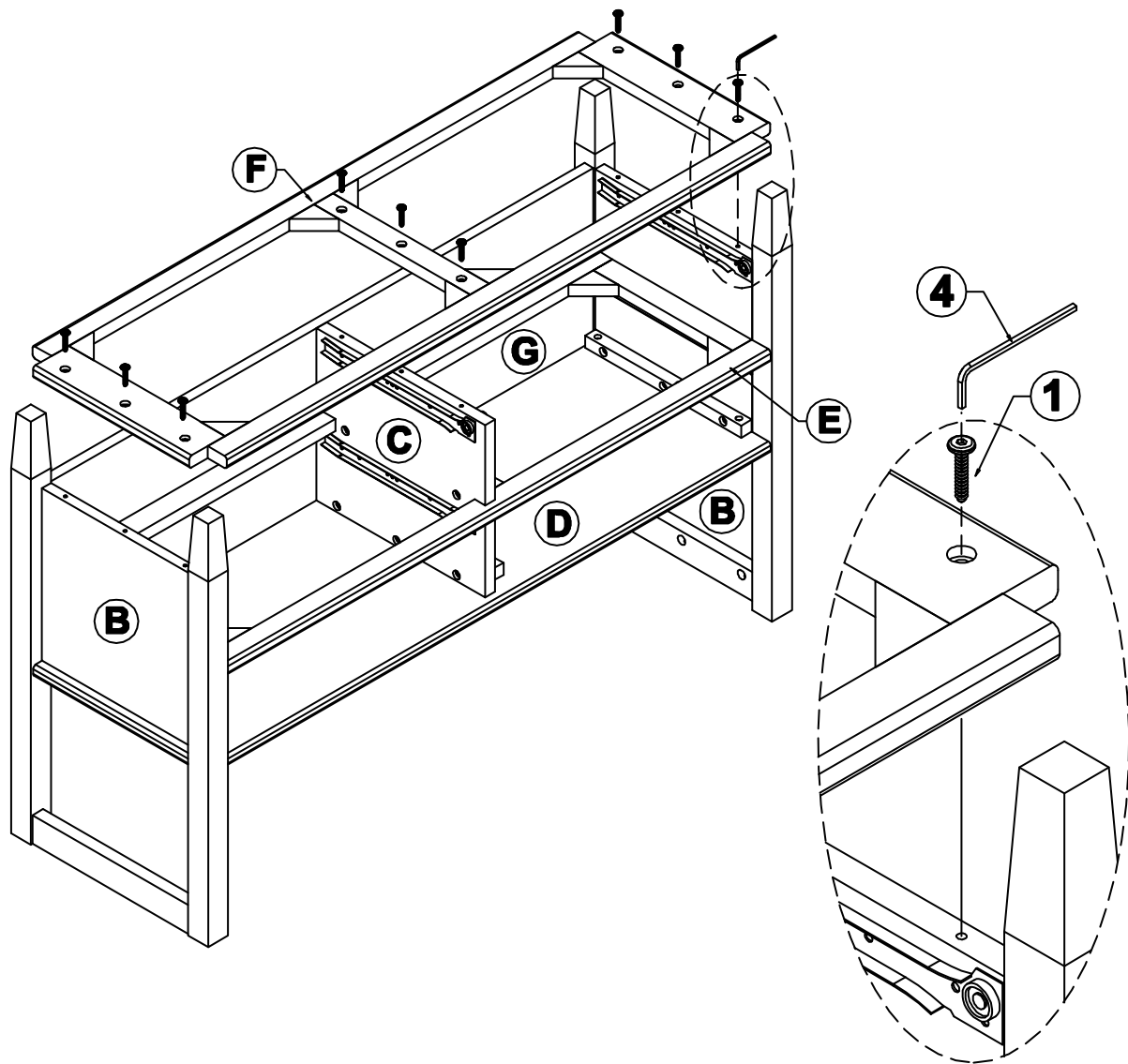
STEP 8



1. Repeat Step-5 & Step-7 for the second Side (B).

ASSEMBLY

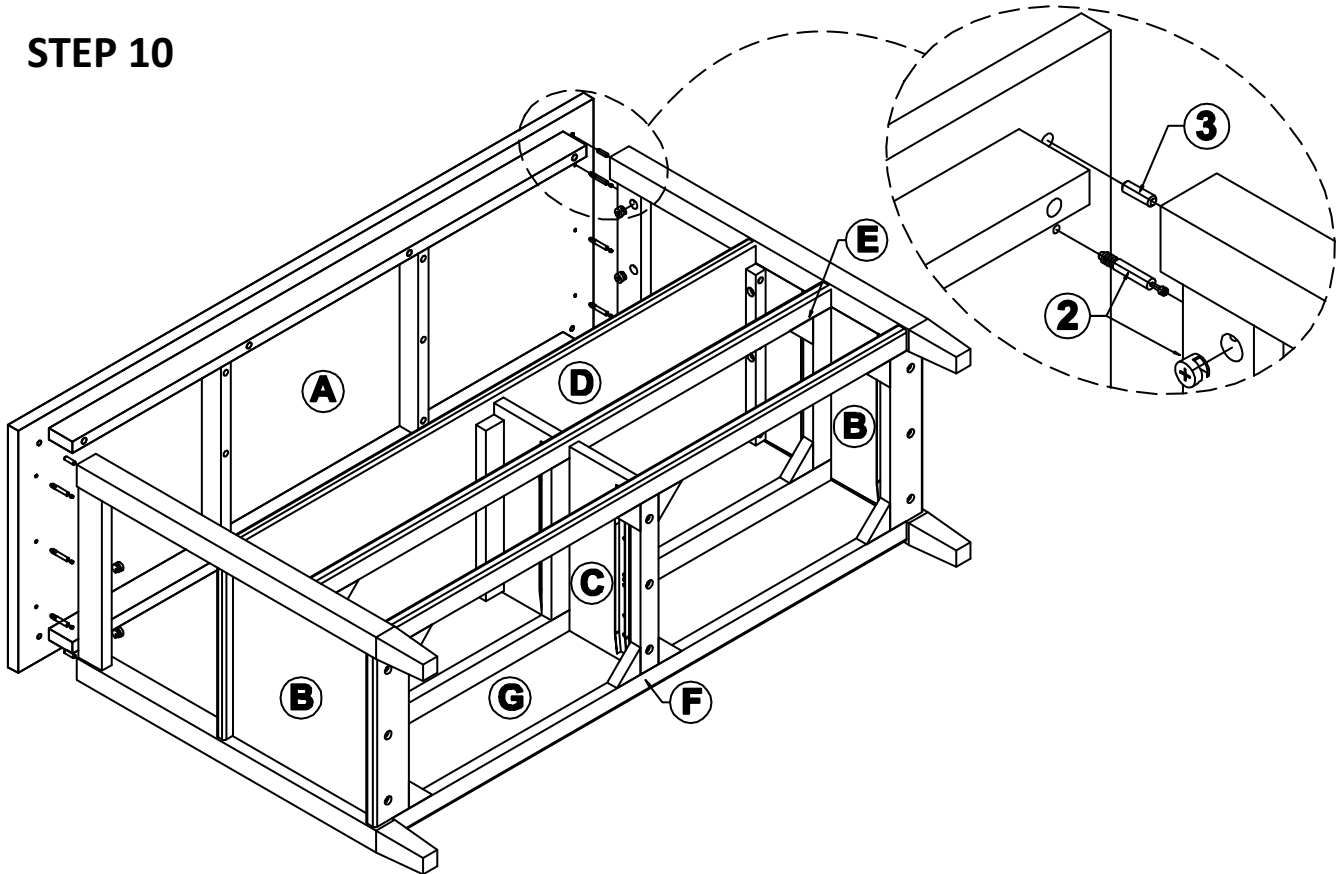
STEP 9



1. Attach Bottom Frame (F) to Sides (B) and Divider (C) using 9 Allen Key Screws (1).
2. Use Allen Key (4) to tighten screws. Do not over-tighten.

ASSEMBLY

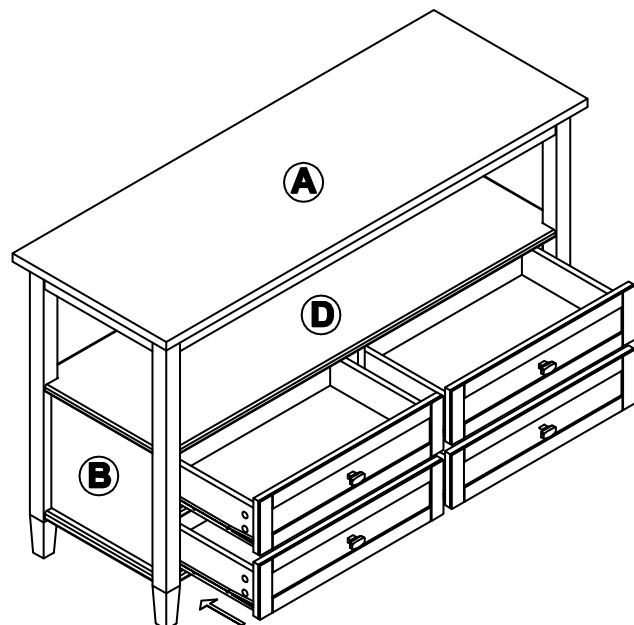
STEP 10



1. Insert 2 Dowels (3) into top corners of each Side (B).
2. Use rubber mallet to tap Dowels (3) into bottom of holes securely. $\frac{1}{2}$ length of Dowels should be exposed.
3. Attach 6 Cam Lock Pins (2) to bottom of Top (A).
4. Align pre-drilled holes bottom corners of Top (A) with Dowels (3) in Sides (B).
5. Align and insert Cam Lock Pins on Top (A) into pre-drilled holes on Sides (B).
6. Insert 3 Cam Locks (2) into pre-drilled holes on each Side (B).
7. Use a flathead screwdriver to tighten Cam Locks. Do not over-tighten.

STEP 11

1. Insert assembled Drawers into drawer glides on assembled table.



WARRANTY

Thank you for purchasing our product. These products have been made to demanding, high-quality standards and are guaranteed for domestic use against manufacturing faults for a period of 12 months from the date of purchase. This warranty does not affect your statutory rights.

In case of any malfunction of your product (failure, missing parts, etc.) please contact us at our toll free service line or by email.

We reserve the right to repair or replace the defective product, at its discretion.

This product is guaranteed for 12 months if used for normal purposes. Any warranty is invalid if the product has been overloaded or subject to neglect, improper use or an attempted repair by other than an authorized agent. Heavy-duty or daily professional/commercial usage are not guaranteed.

Due to continuous product improvement, we reserve the right to change the product specifications without prior notice.