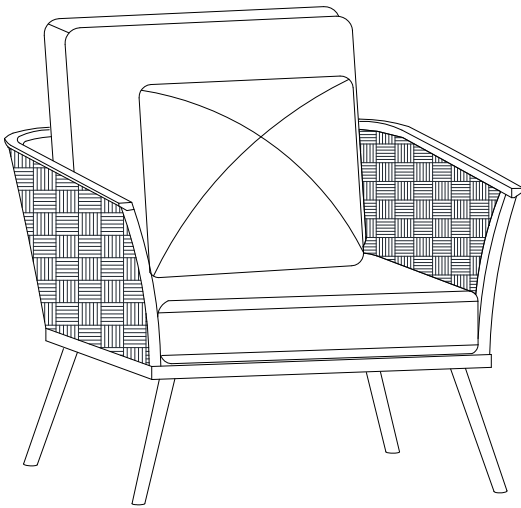


# CHAIR

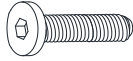
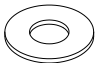

Thank you for purchasing the **CHAIR**.

Before you start, here are some helpful advice:

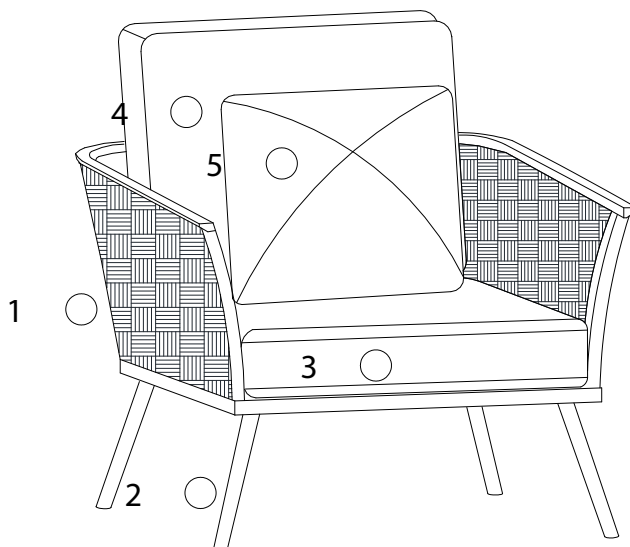
1. We suggest you spend a short time reading through this leaflet and then follow the simple step-by-step instructions.
2. Owing to the size and weight of the chair, we recommend that it is assembled by two adults, on a carpeted or padded area, in the room that it is intended for. Approximate assembly time: 20 minutes.
3. Please do not use any tools other than those provided or recommended in these instructions.
4. Please do not throw away any of the packaging or the instruction until you have checked all the components and hardware and the furniture is fully assembled. Please ensure that the packaging is disposed of in a safe and environmentally friendly way.
5. Assemble all components loosely until advised to tighten. Depending on use, it may be necessary to tighten the components from time to time, so please save the tools that have been provided.
6. Please keep all fitting out of reach of children.



## Hardware:

- A.  Bolt 1/4"x25mm x 4
- B.  Flat Washer x 4
- C.  Allen Wrench x1

## Component:



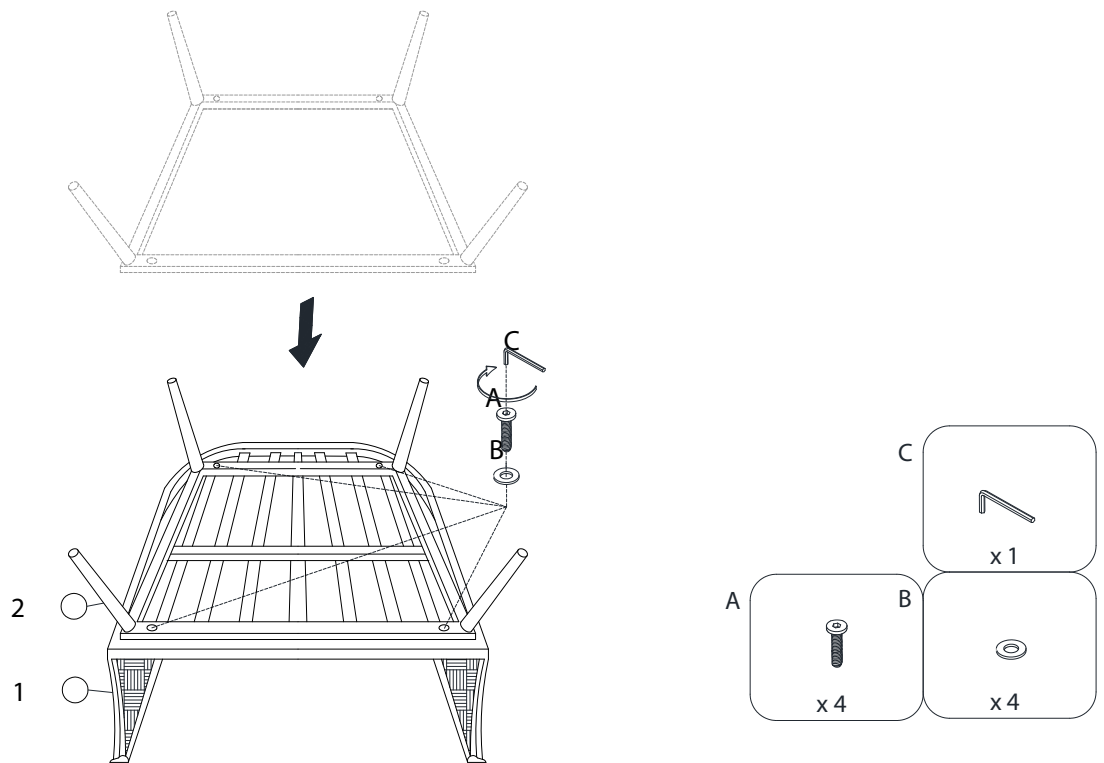
- 1 Chair Body x1      2 Frame with legs x 1      3 Seat Cushion x 1  
4 Back Cushion x 1      5 Pillow x 1

# CHAIR

## STEP 1:

Please put Chair Body (1) on a carpeted or padded surface.

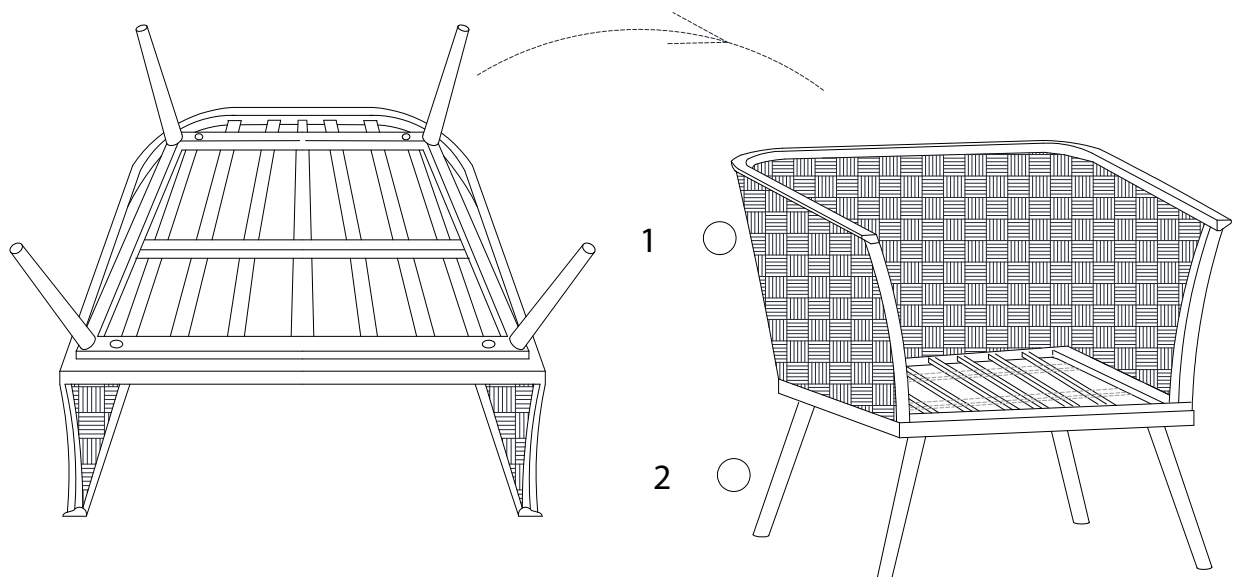
Attach Frame with legs (2) to the bottom of Chair Body (1) by using 4 pieces of Bolts (A) with 4 pieces of Flat Washers (B) as shown. Tighten Bolts (A) by using Allen Wrench (C) as shown.



Hardware & Tools required

## STEP 2:

Carefully turn over the assembled Chair Body (1) and Frame with legs (2) from step 1 as shown.



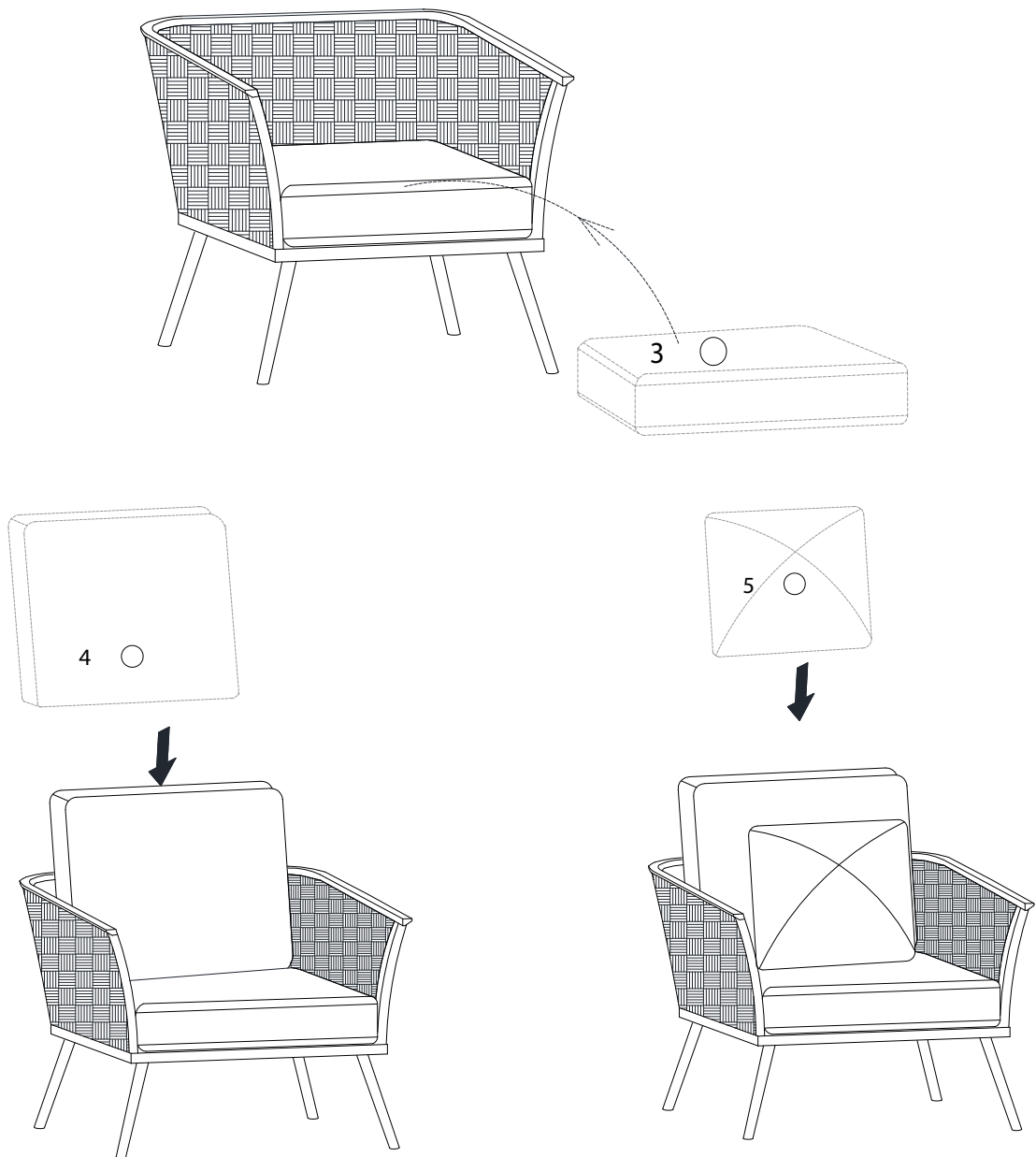
# CHAIR

---

## STEP 3:

Attach Seat Cushion (3) to the seat of Chair Body (1)

Attach 1 piece of Back Cushion (4) and 1 piece of Pillow (5) to the top of Seat Cushion (3)



Assembly is complete. Your Chair is ready to be used now!