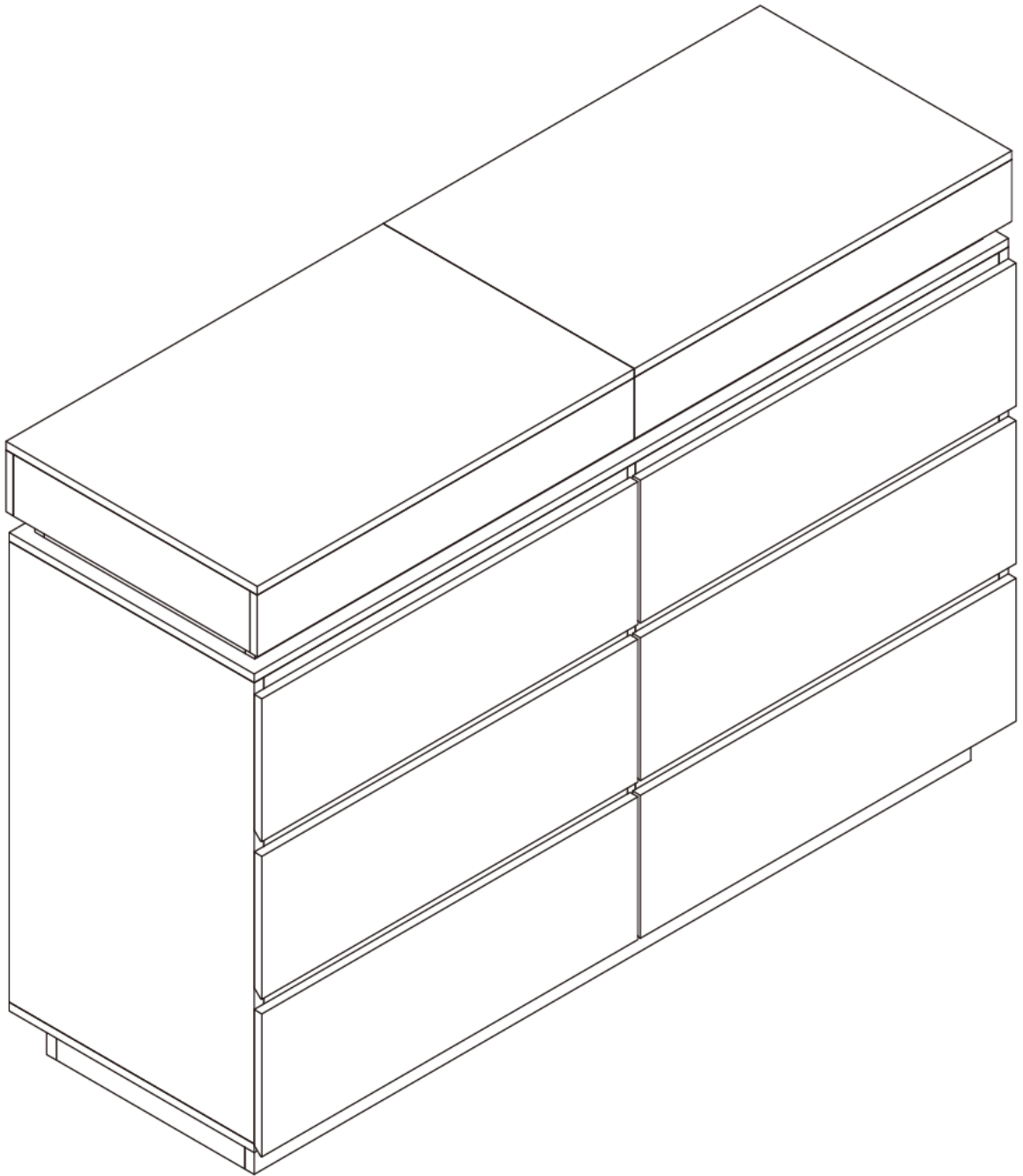
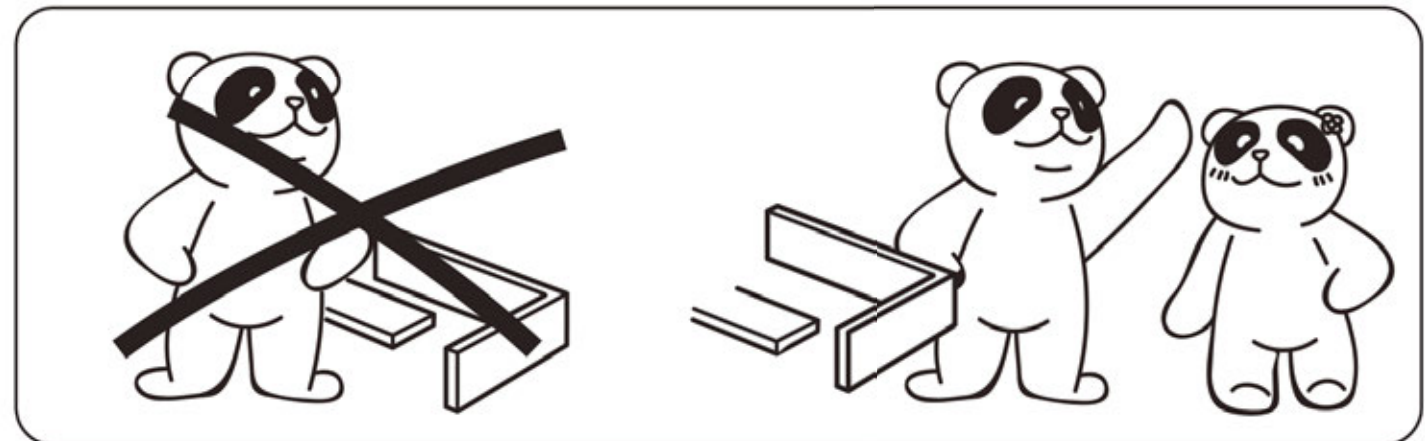
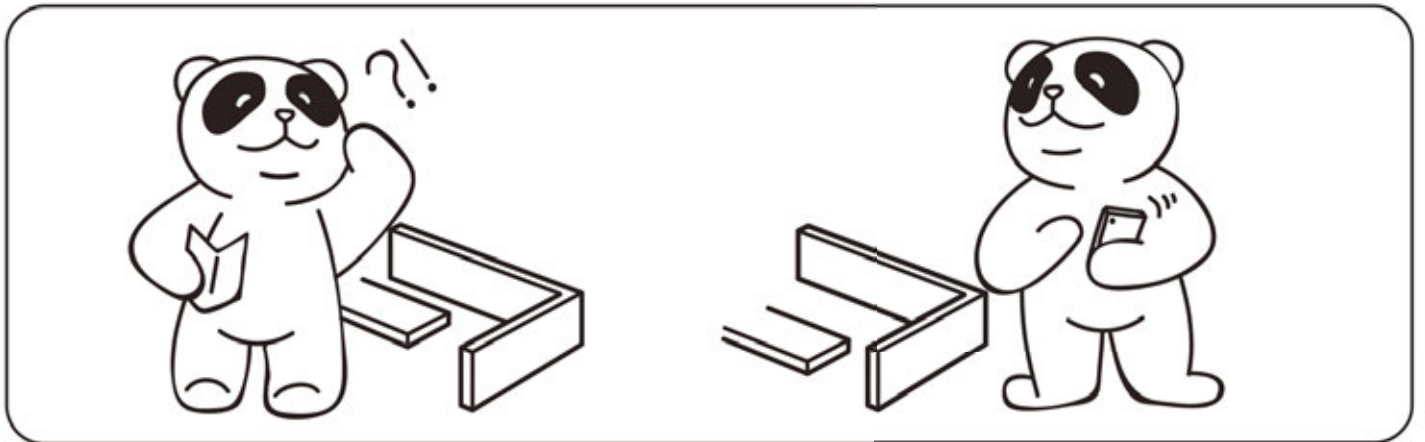
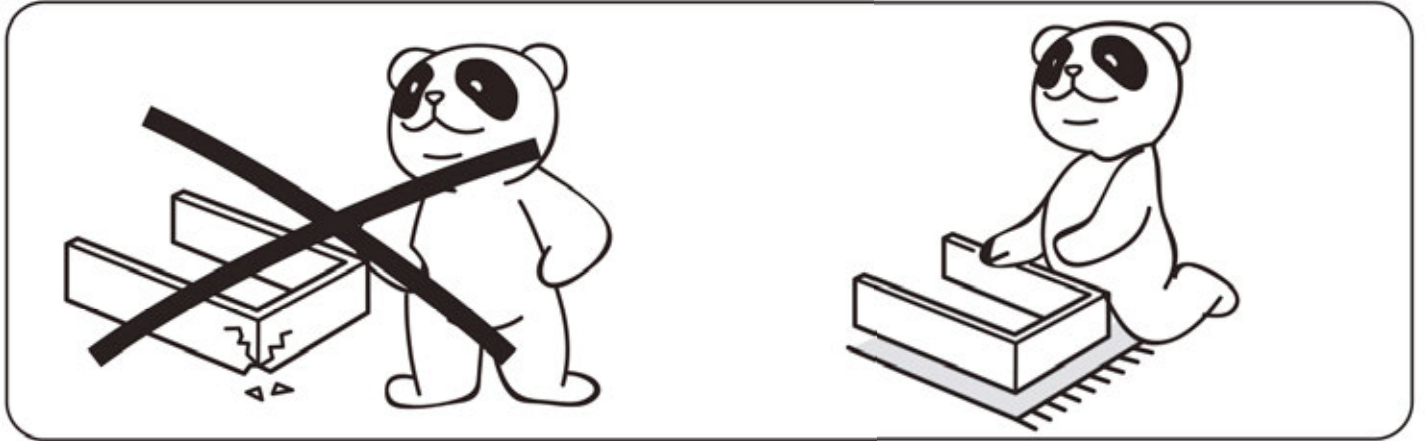
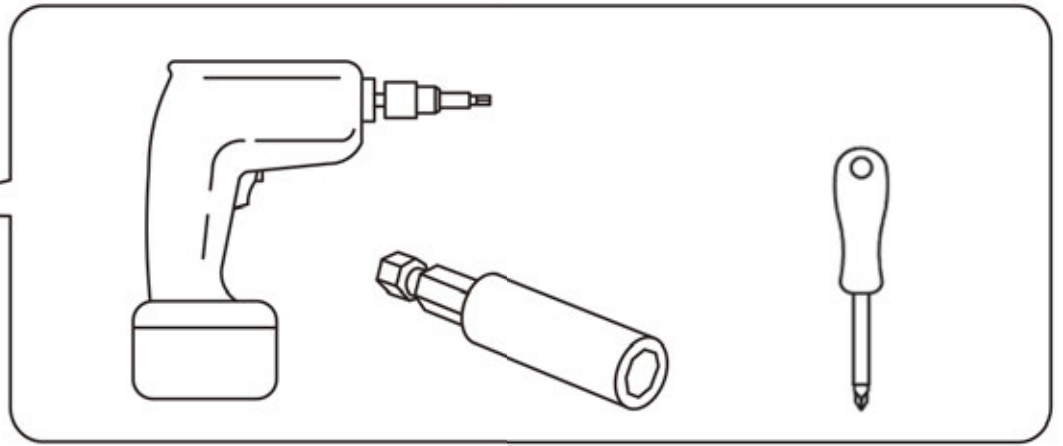


Storage cabinet





Installation parts



A
x73(+2)
Ø6x35mm



B
x73(+2)
Ø15x10mm



C
x60(+2)
Ø6x30mm



D
x74(+2)
Ø4x35mm



E
x118(+3)
Ø3.5x12mm



F
x8



G
x1



I
x1



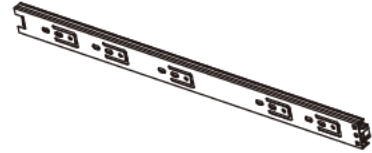
H
x10



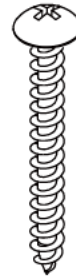
L
x1



K
x4



P
x4
430mm



Ø4x20mm

J x2



CL
x6
350mm



CR
x6
350mm

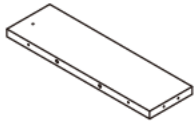


DL
x6
350mm



DR
x6
350mm

Mounting frame



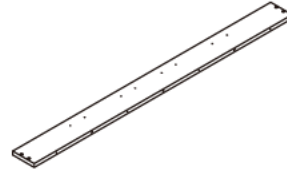
1
x2



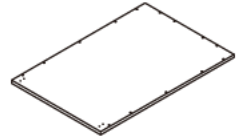
2
x2



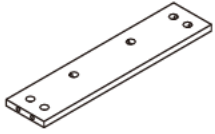
3
x1



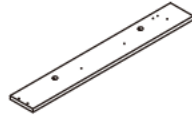
4
x1



5
x2



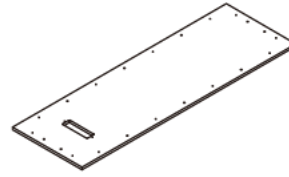
6
x2



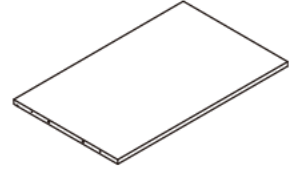
7
x2



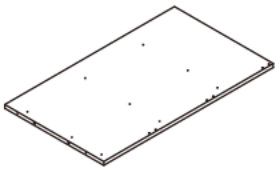
8
x2



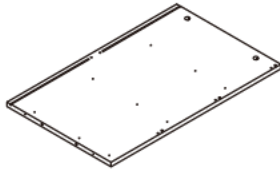
9
x1



10
x1



11
x1



12
x1



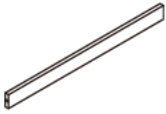
13
x1



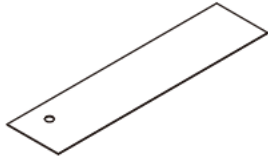
14
x1



15
x2



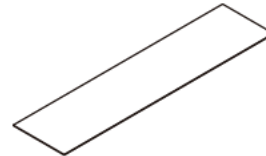
16
x2



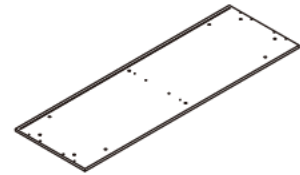
17
x1



18
x1



19
x1

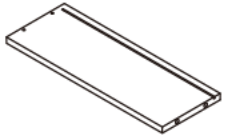


20
x1

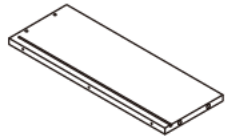


26
x2

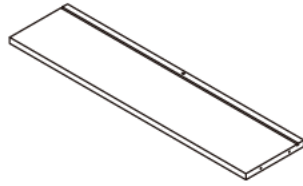
Drawer



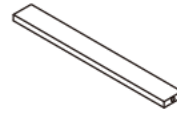
21
x6



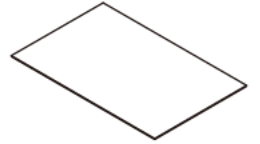
22
x6



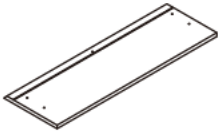
23
x6



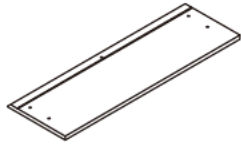
24
x6



25
x6

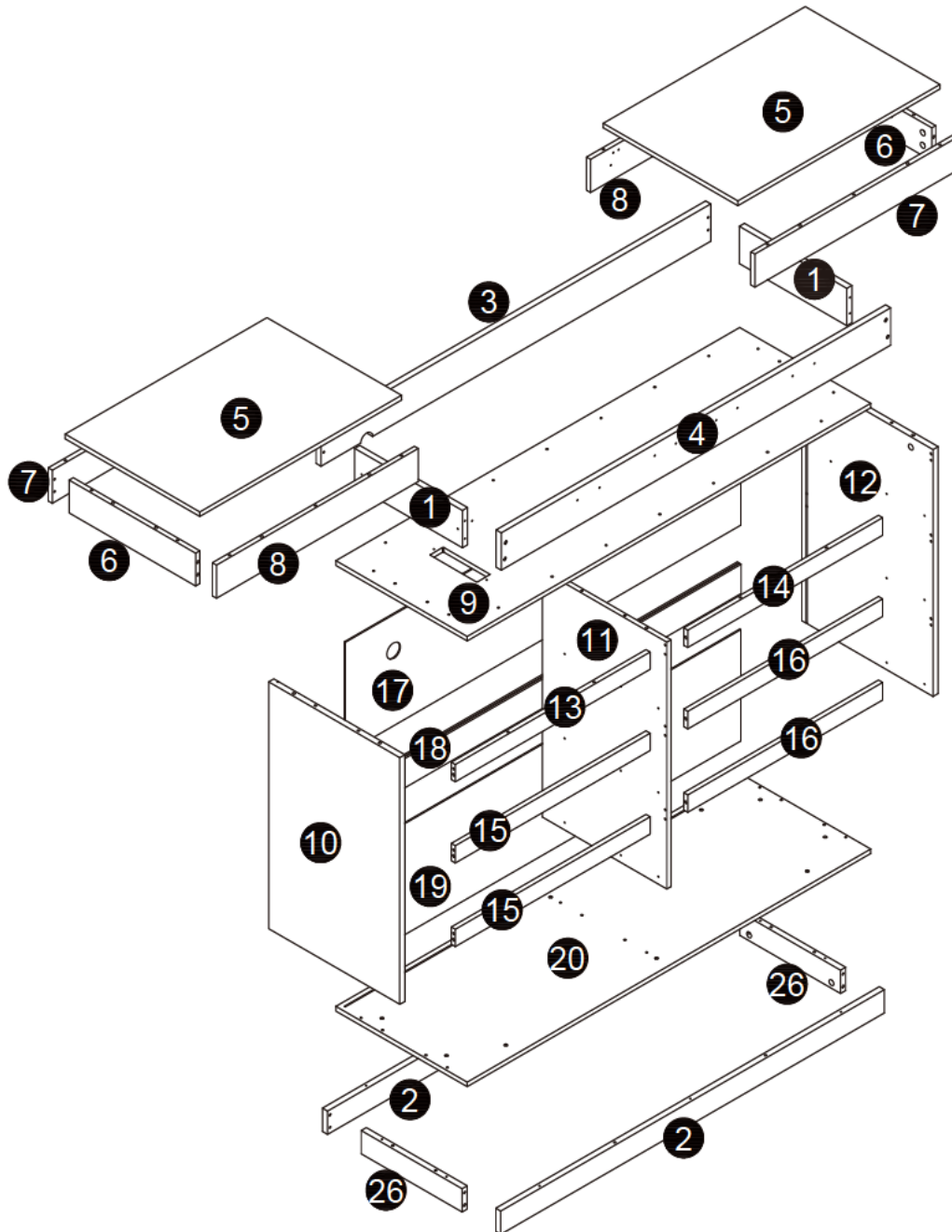
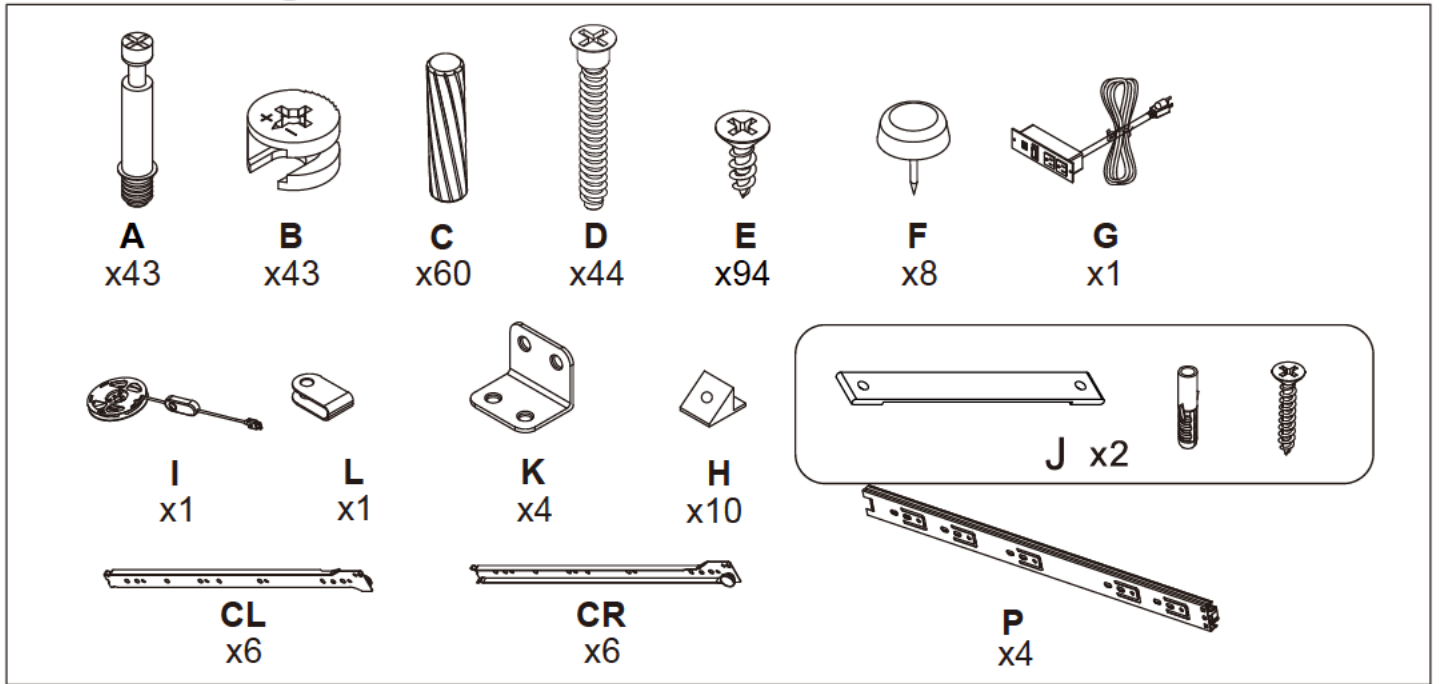






27
x3

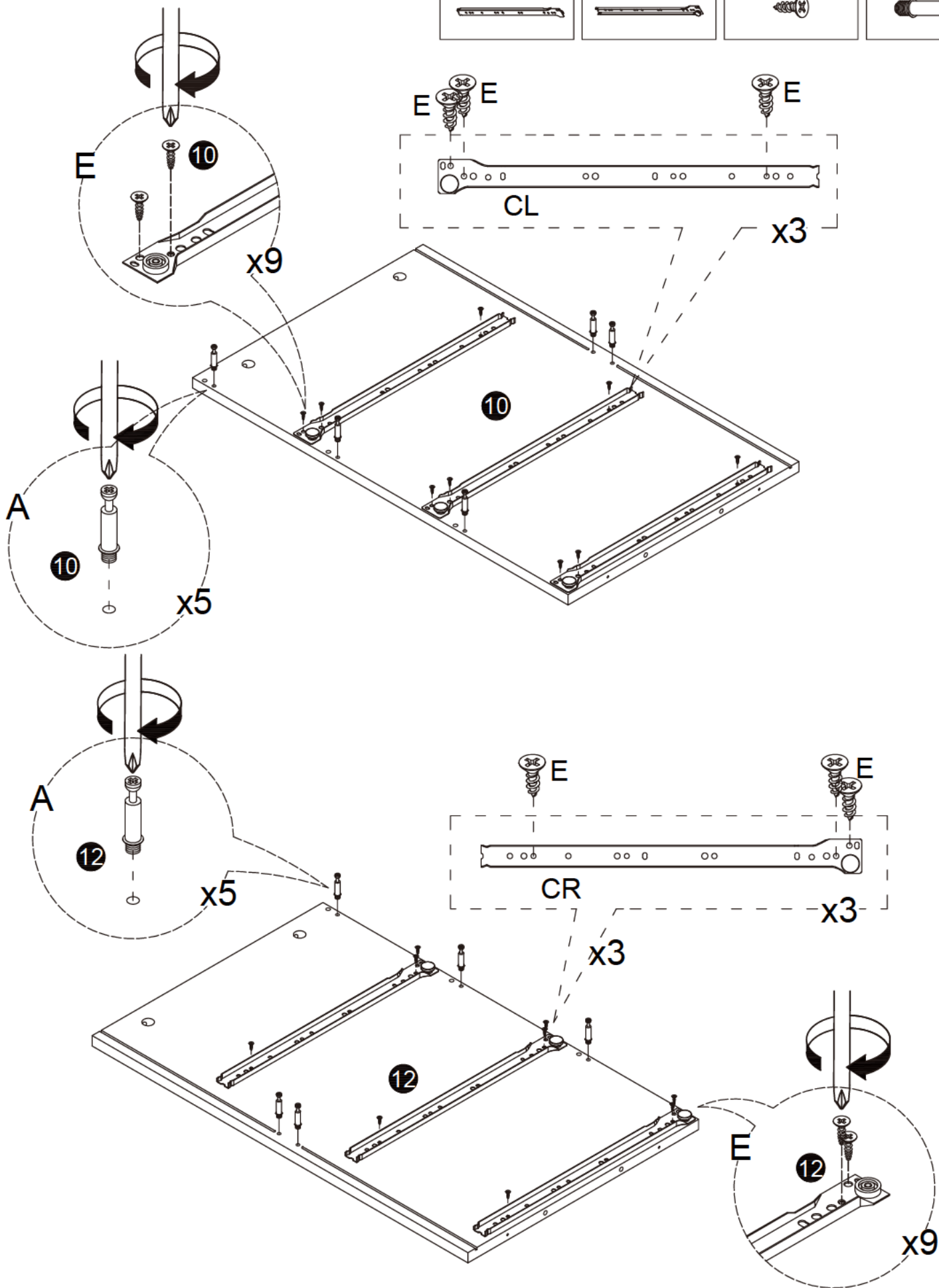


28
x3

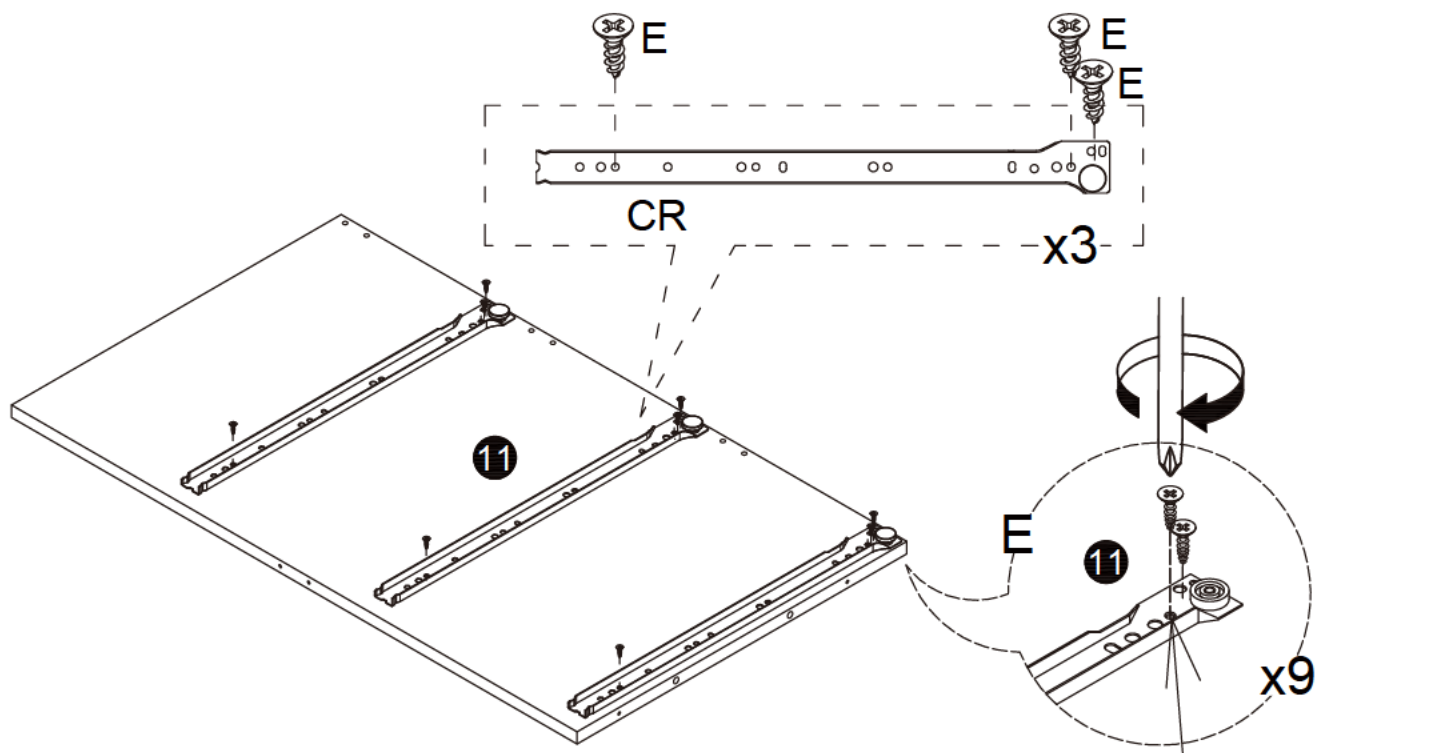
Mounting frame



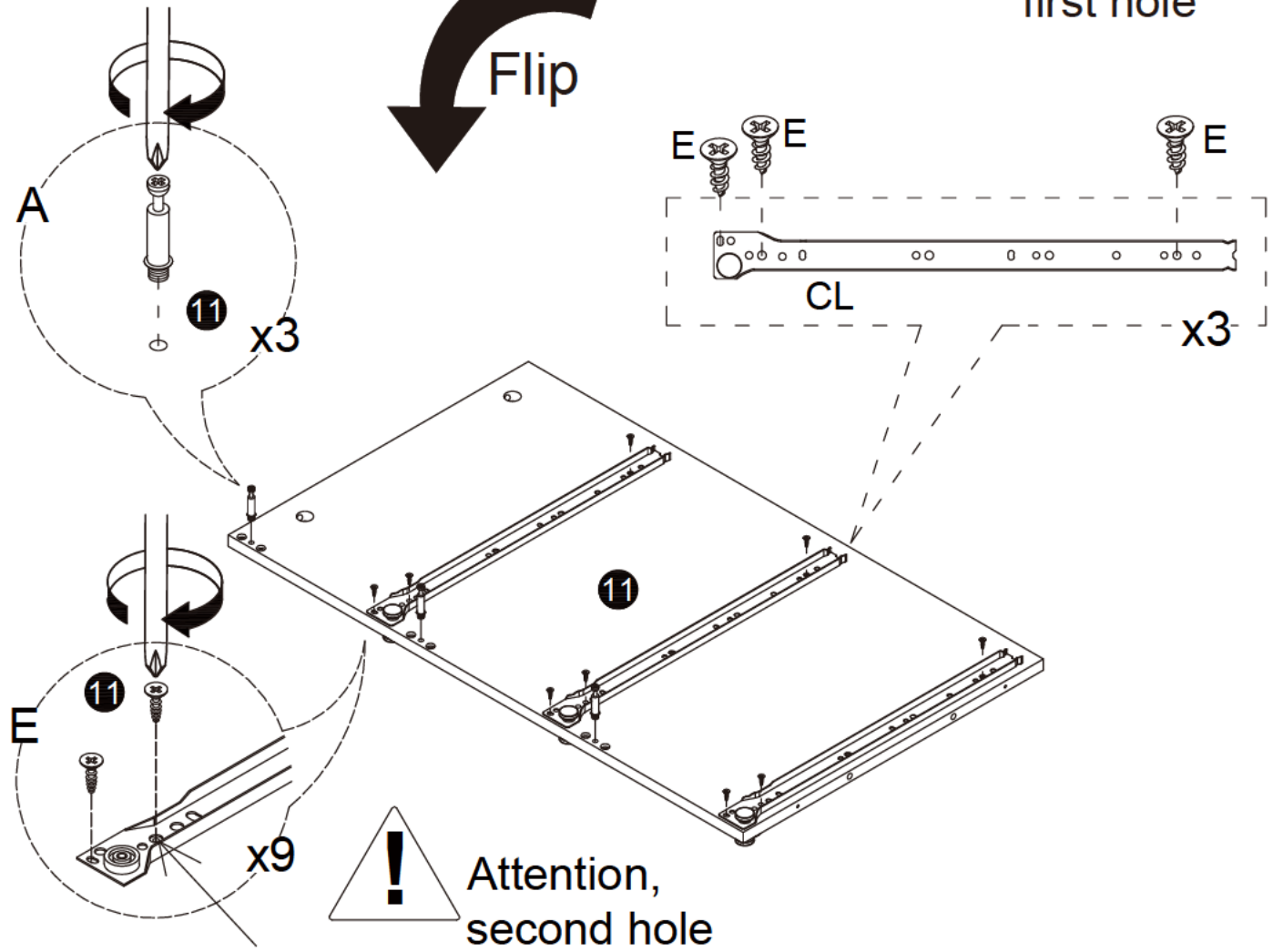
CL	x3	CR	x3	E	x18	A	x10
							



CL	x3	CR	x3	E	x18	A	x3



Flip

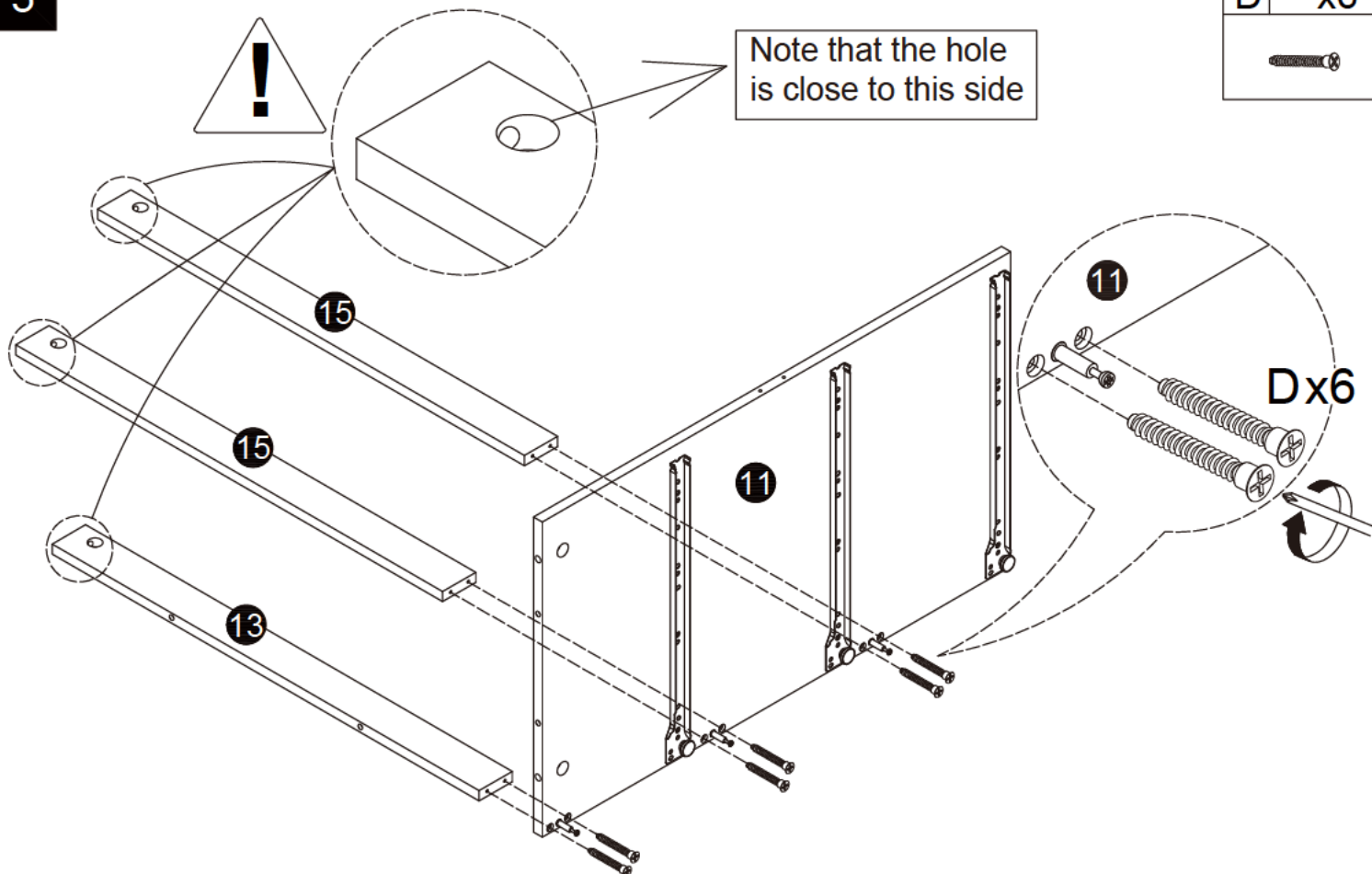


3

D x6



Note that the hole is close to this side



4

B x3



C x6

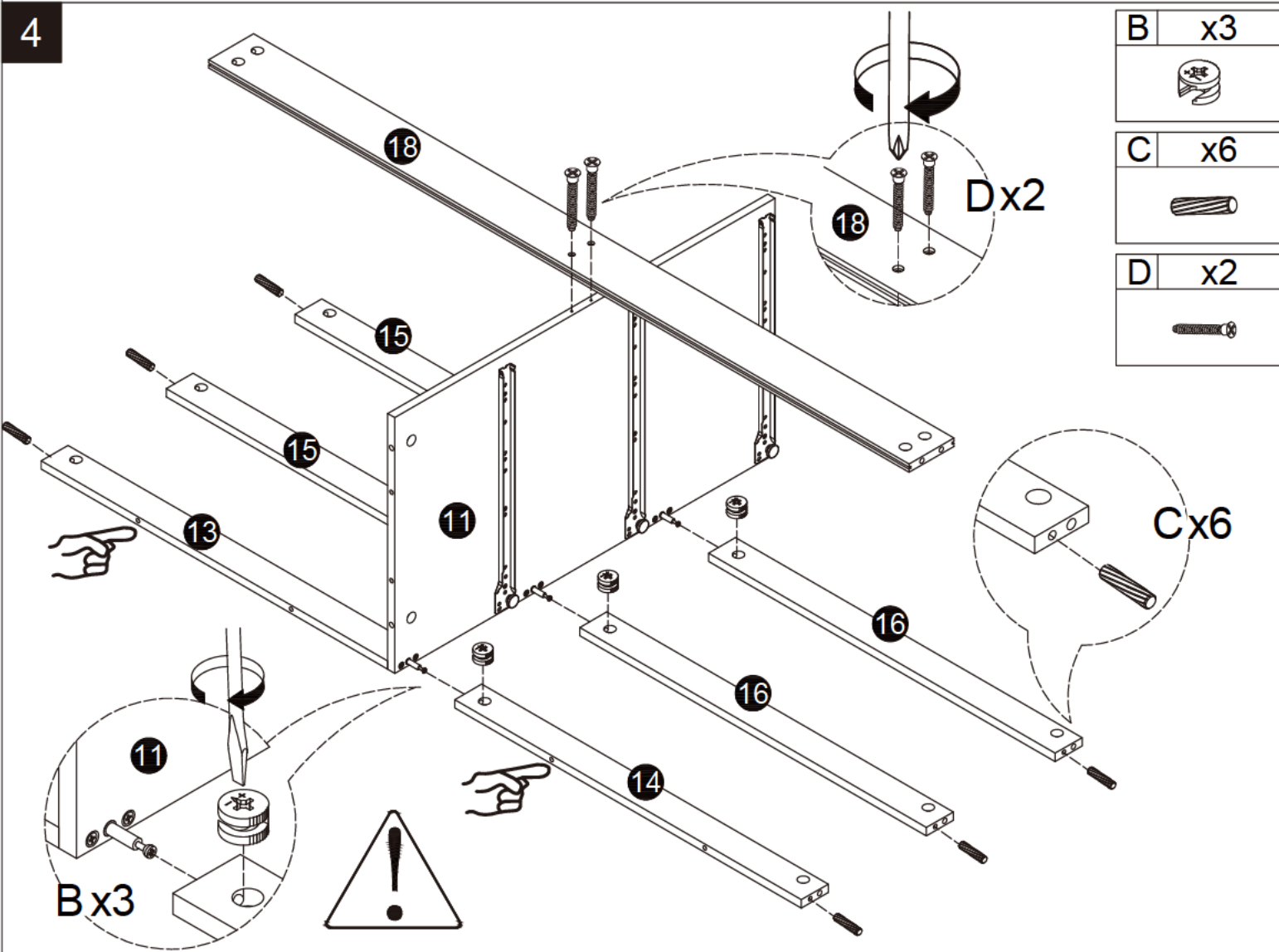


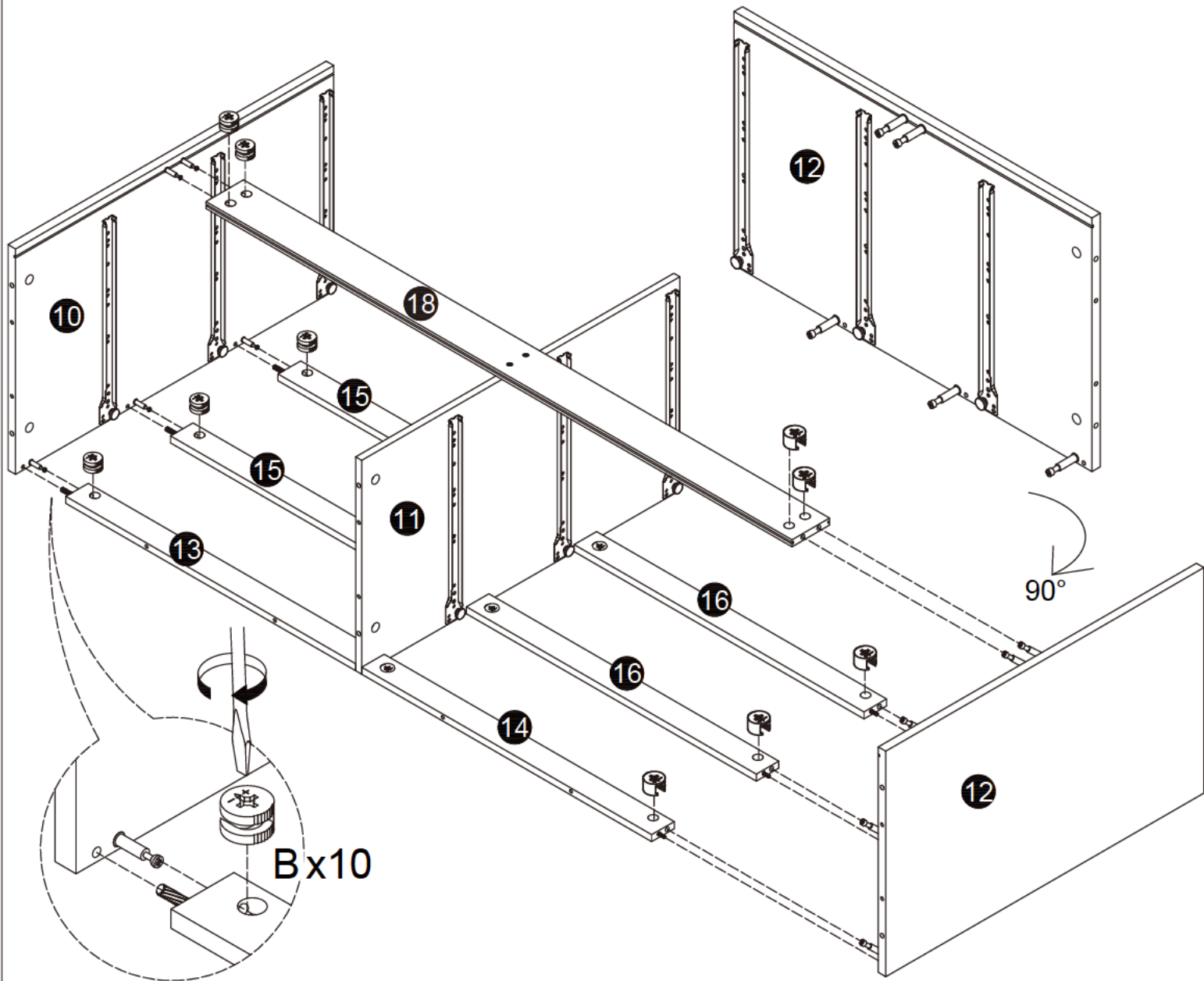
D x2




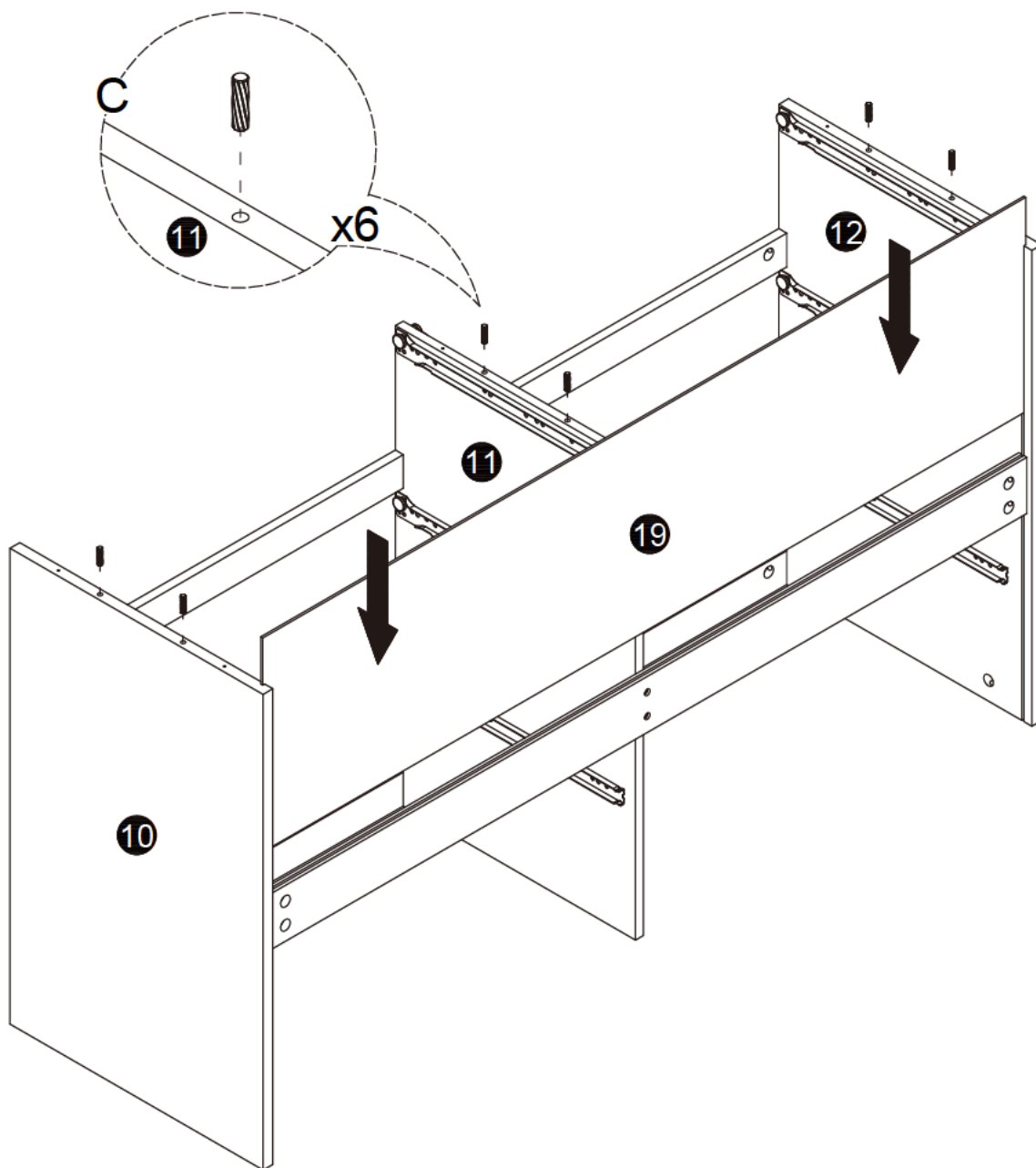
C x6

B x3



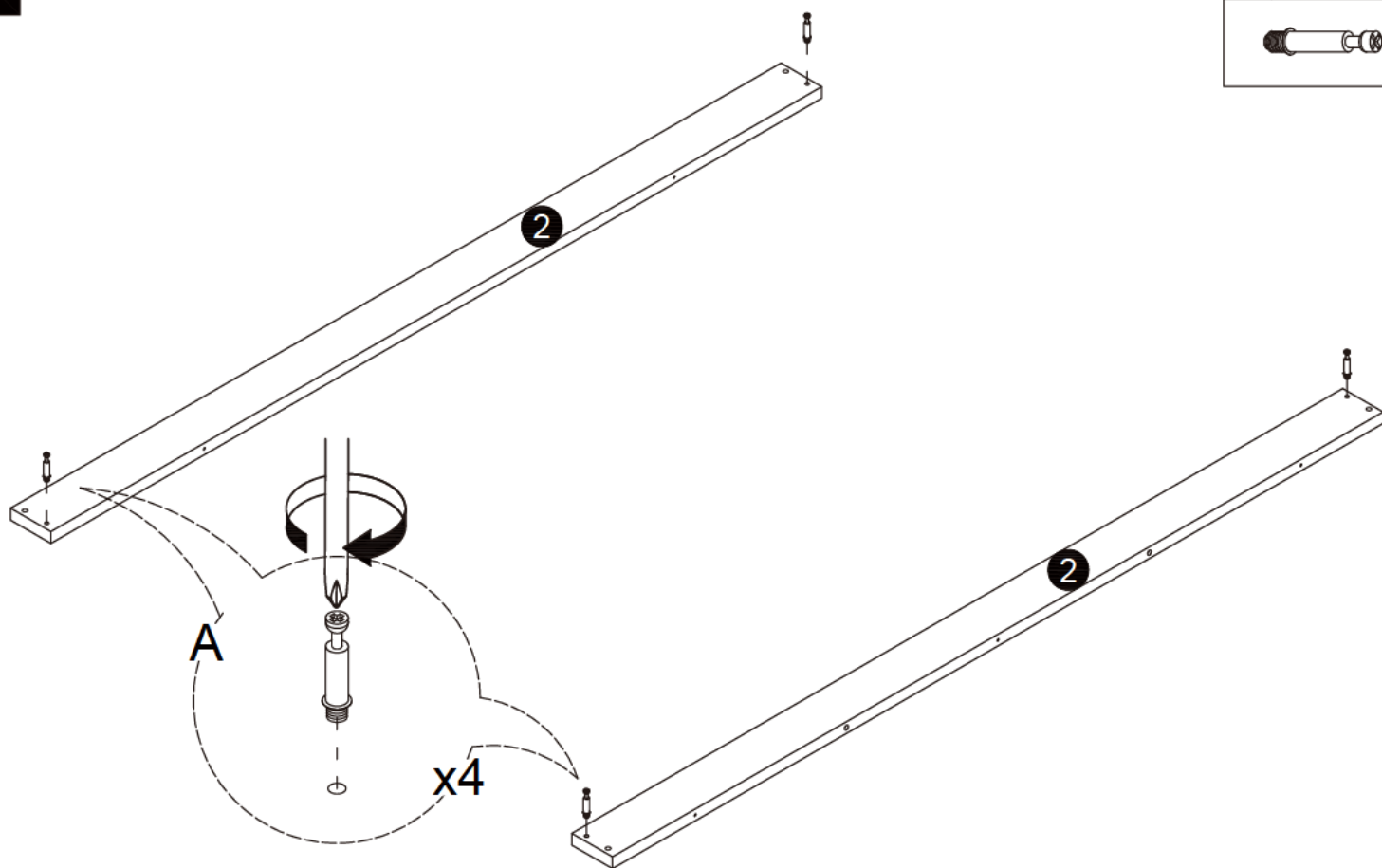


C	x6
	



7

A x4

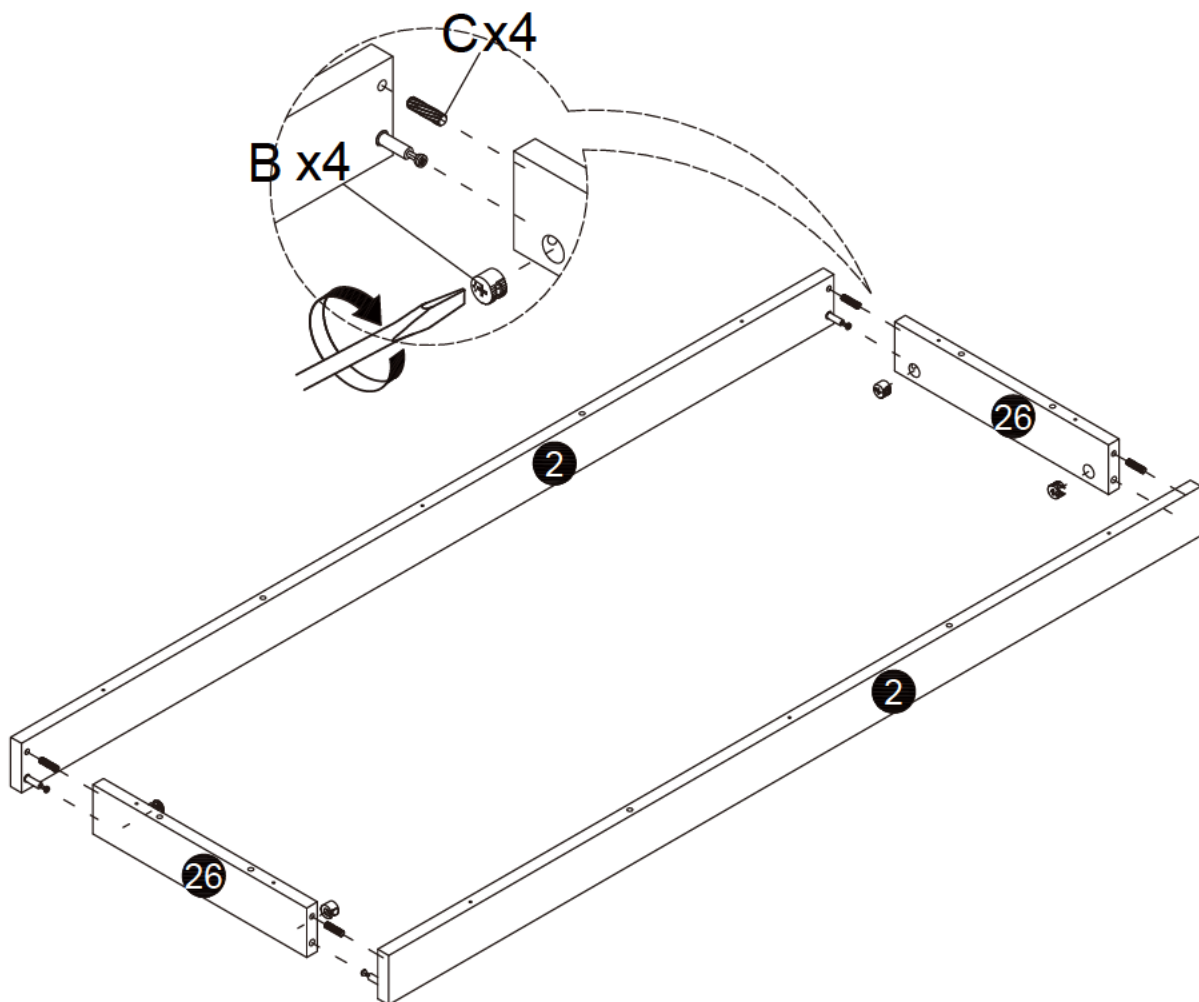




8

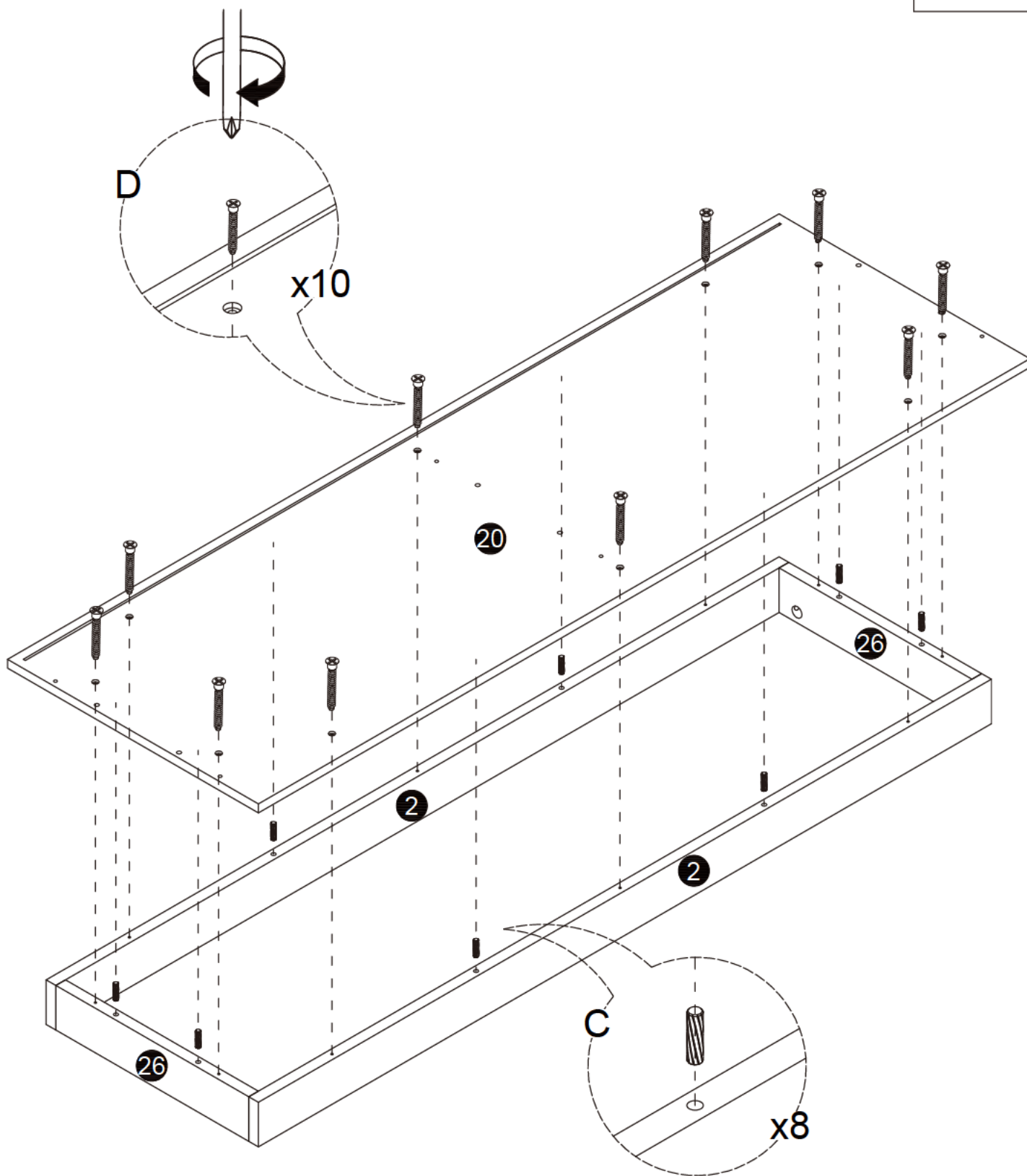
B x4




C x4



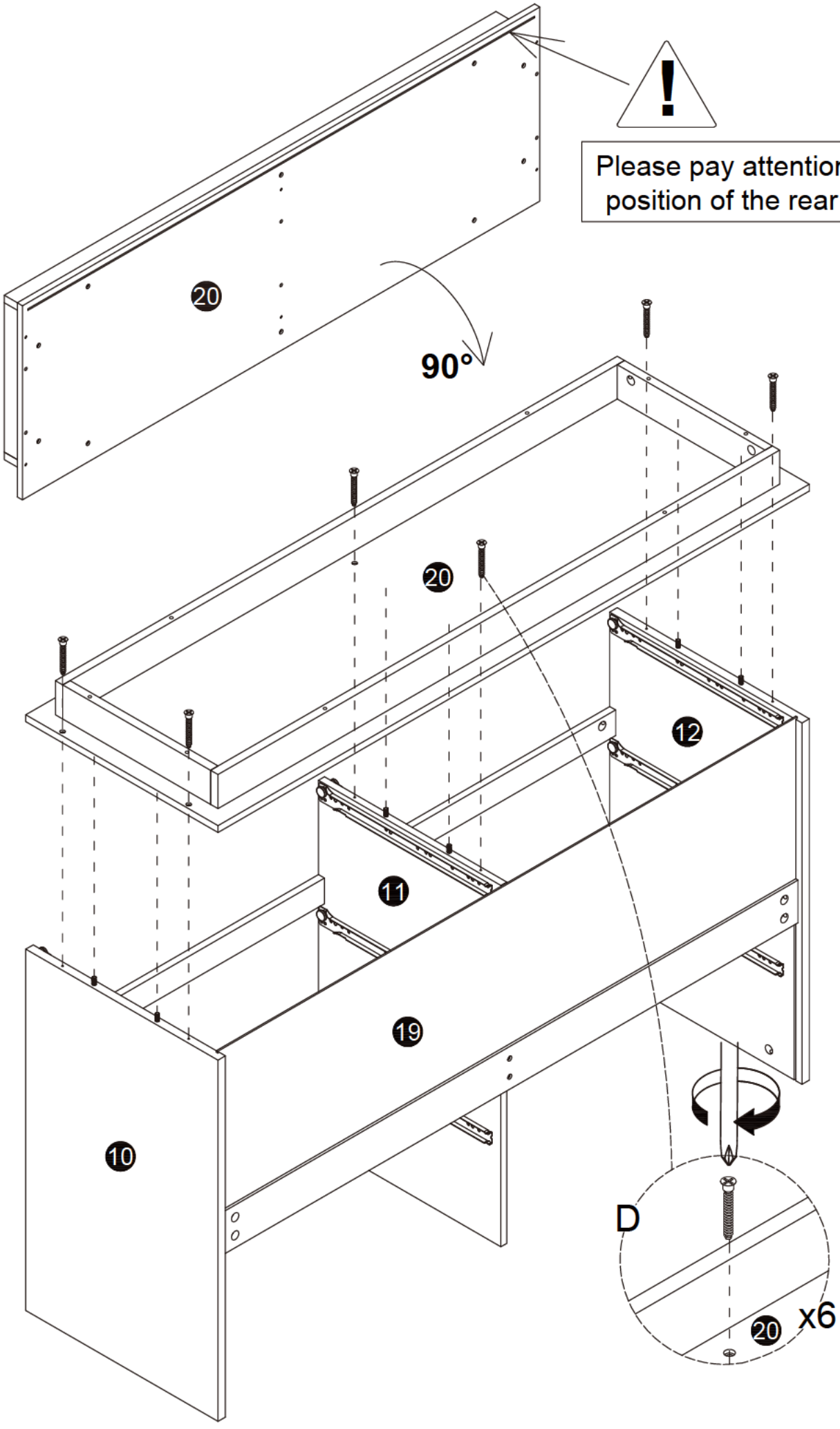
C	x8
	
D	x10
	




D	x6
	

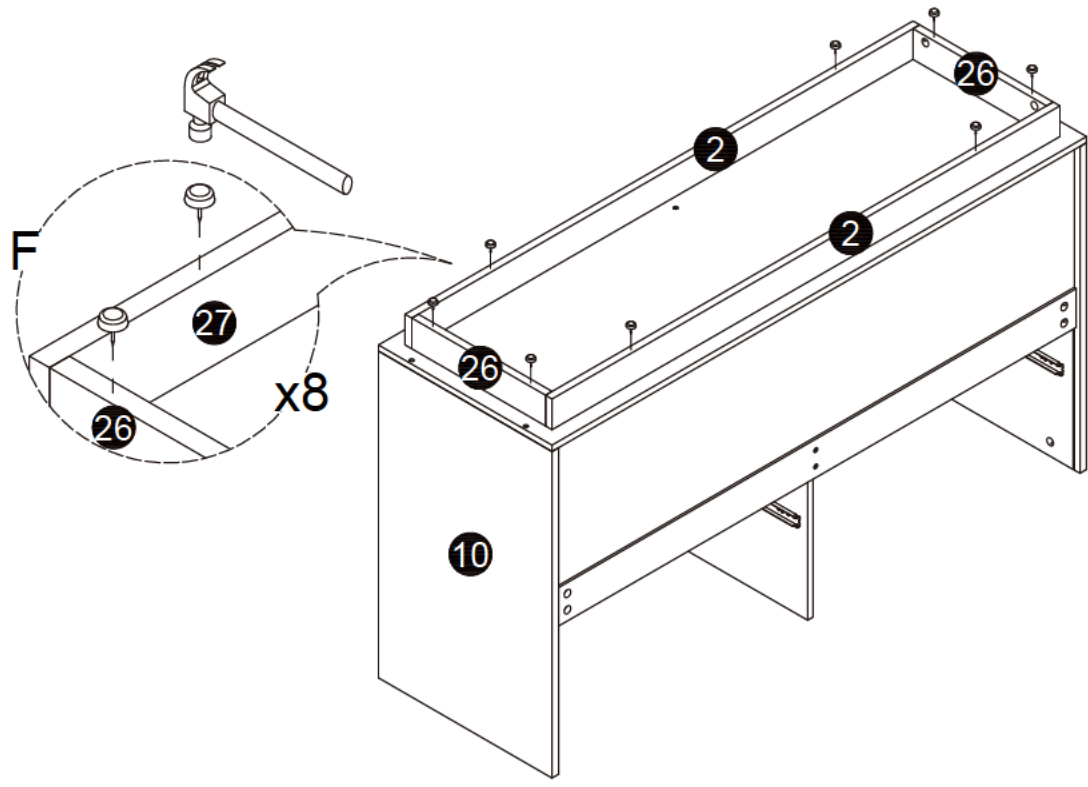


Please pay attention to the position of the rear panel slot




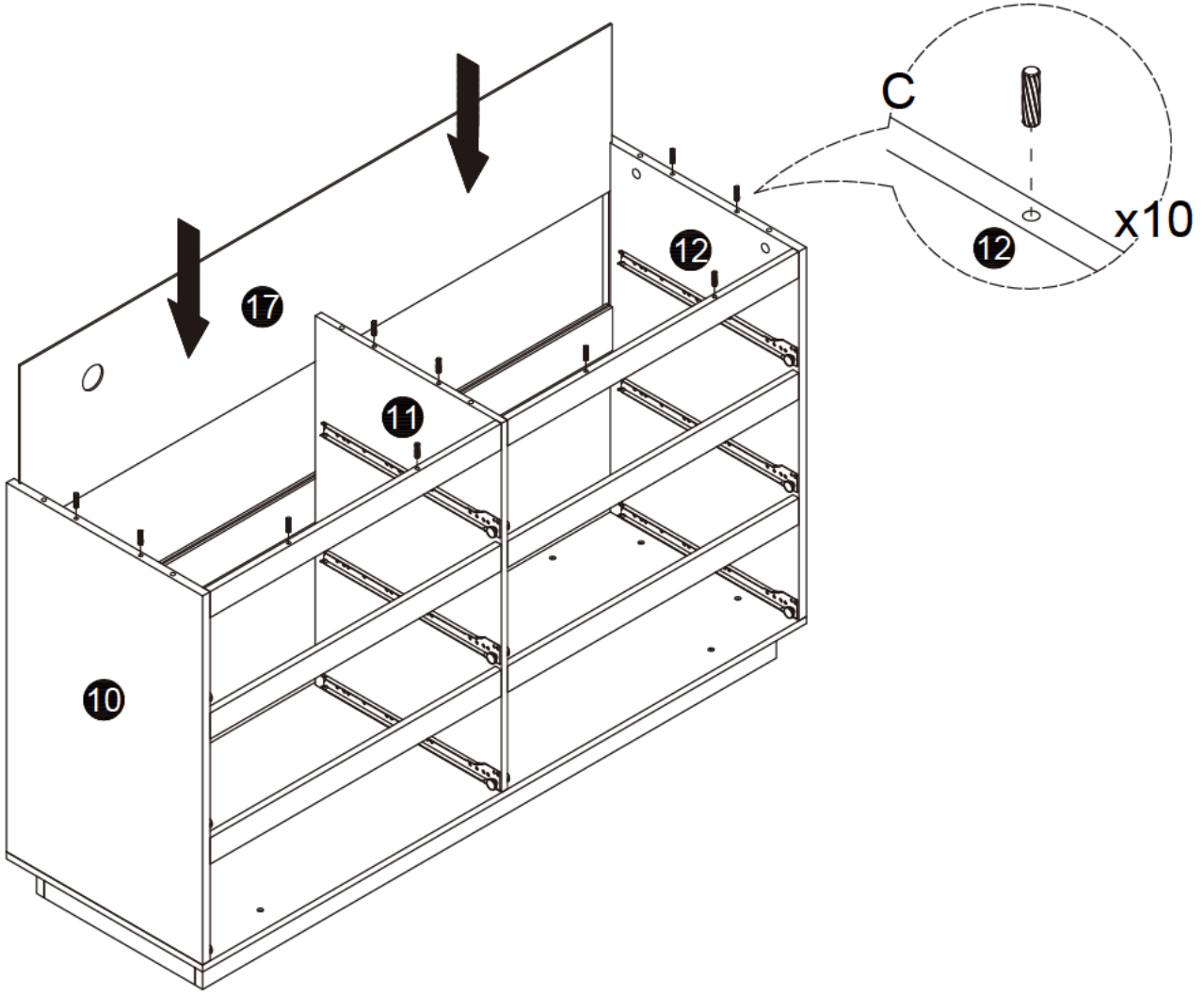
11


F	x8
	

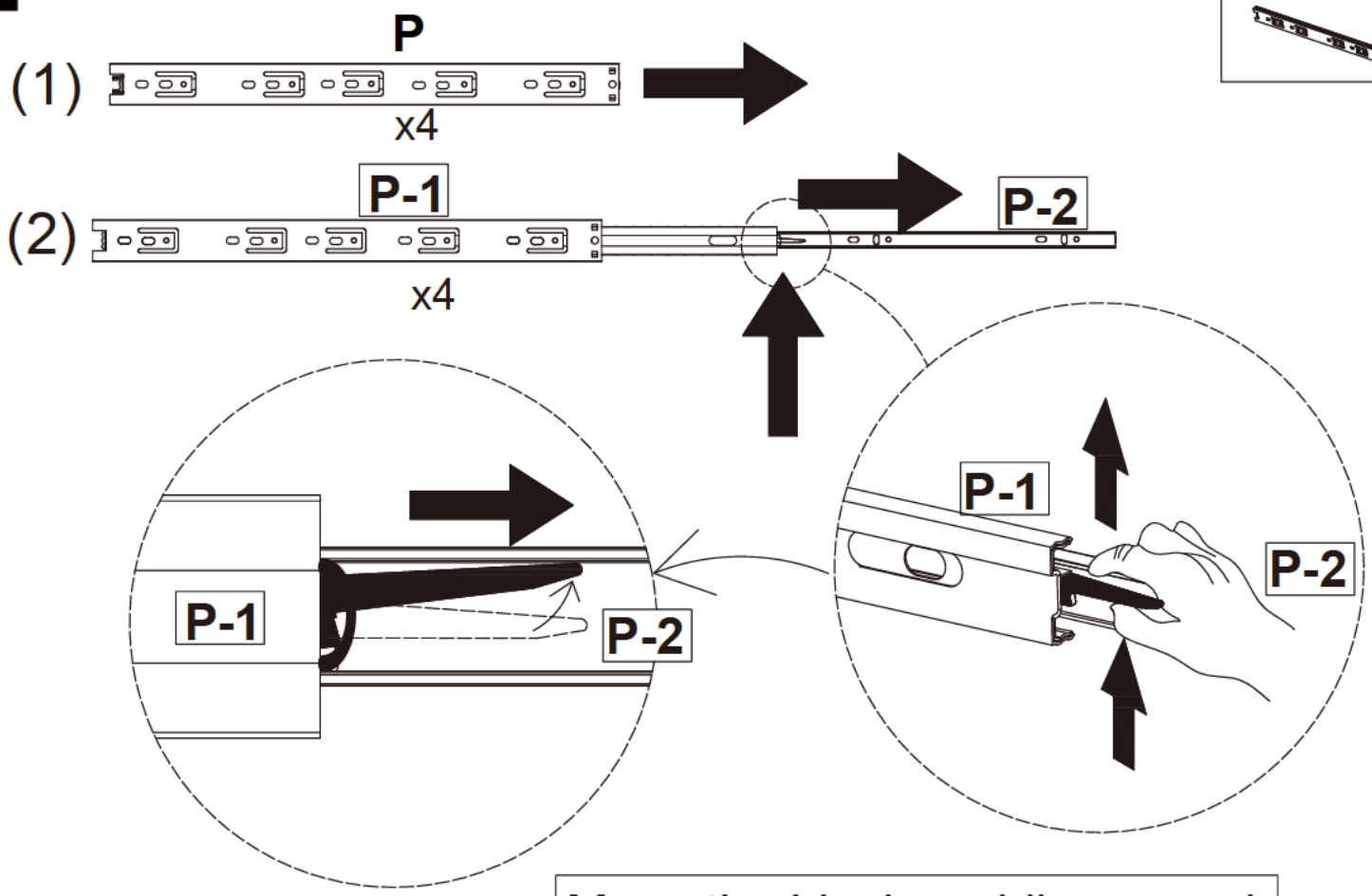


12

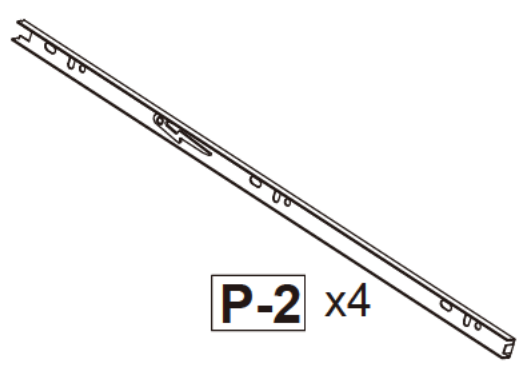
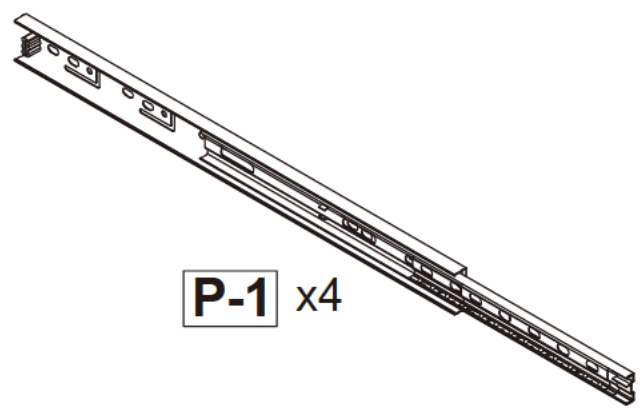
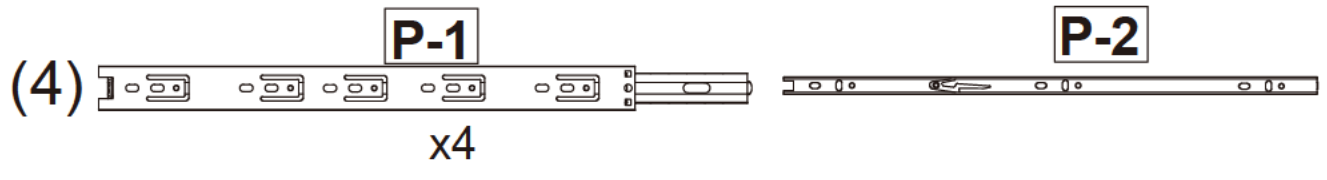
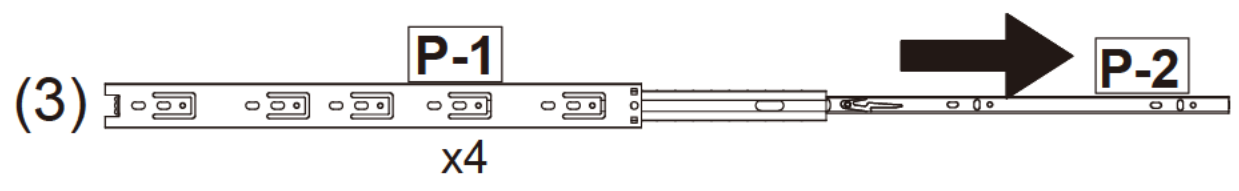
C	x10
	




P	x4
	



Move the black paddle upward and pull out (P-2) to the right.

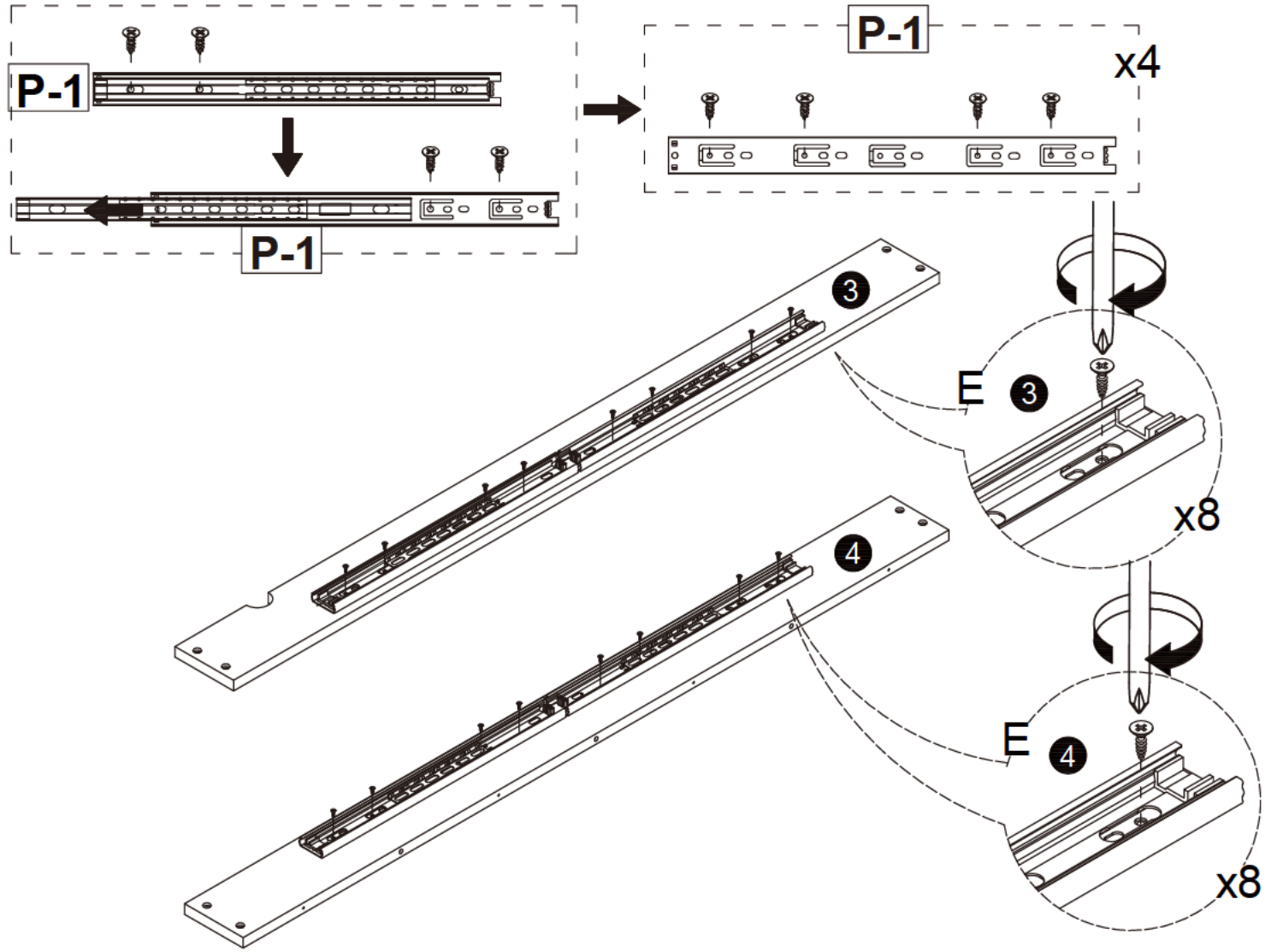


P-1	x4
	

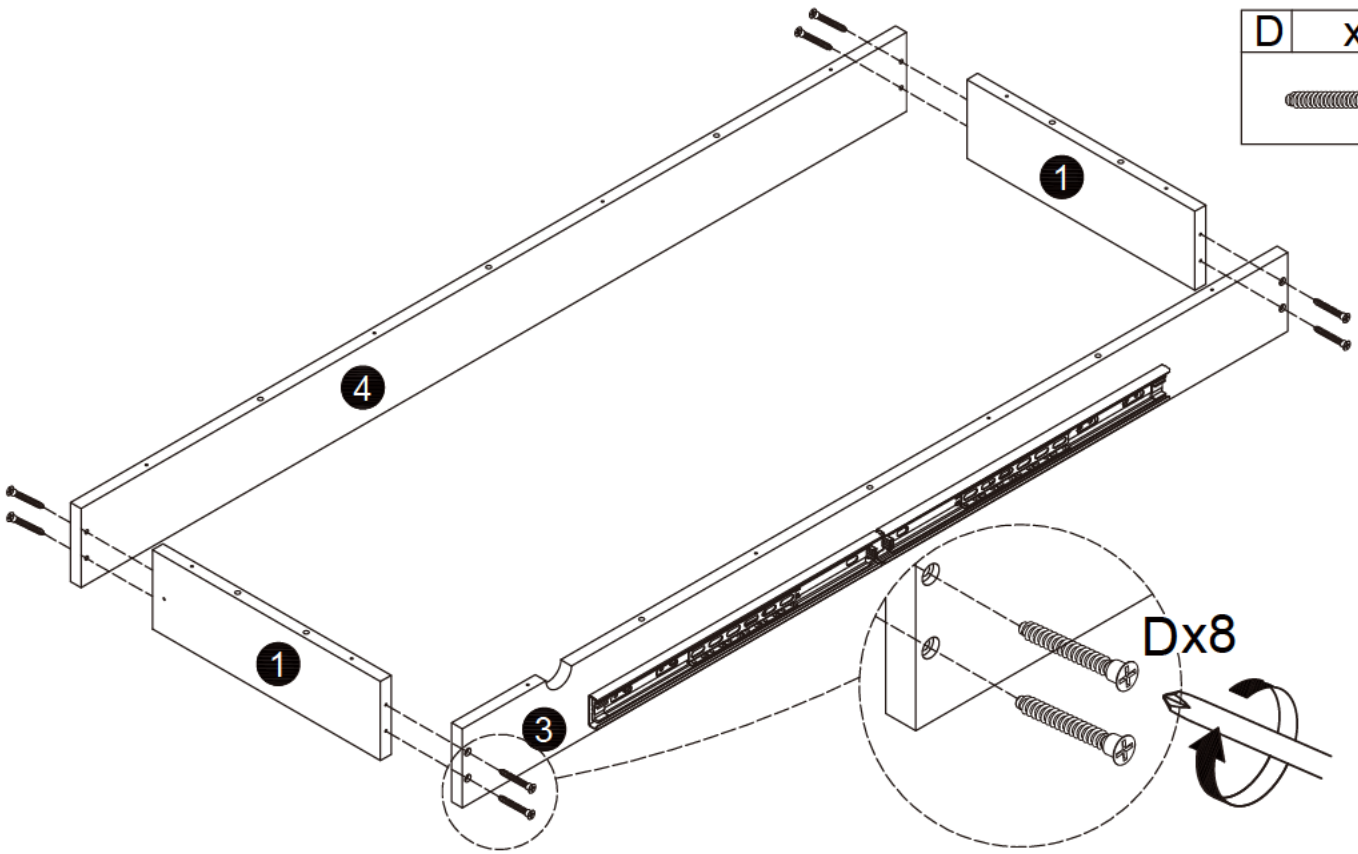
E	x16
	



Slide out the inner slide rail to expose the screw hole and install the screws in the hole.

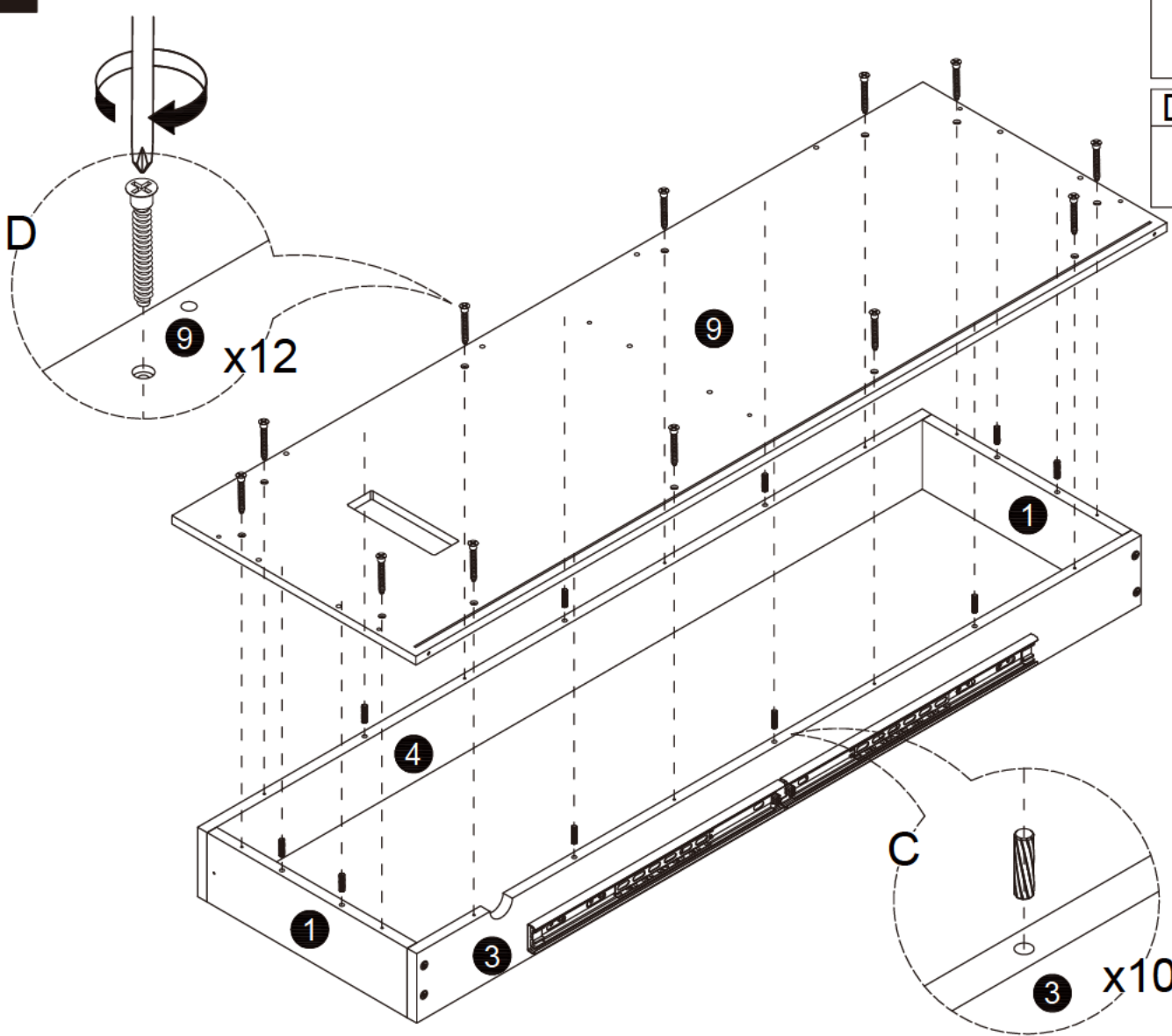


15




D	x8

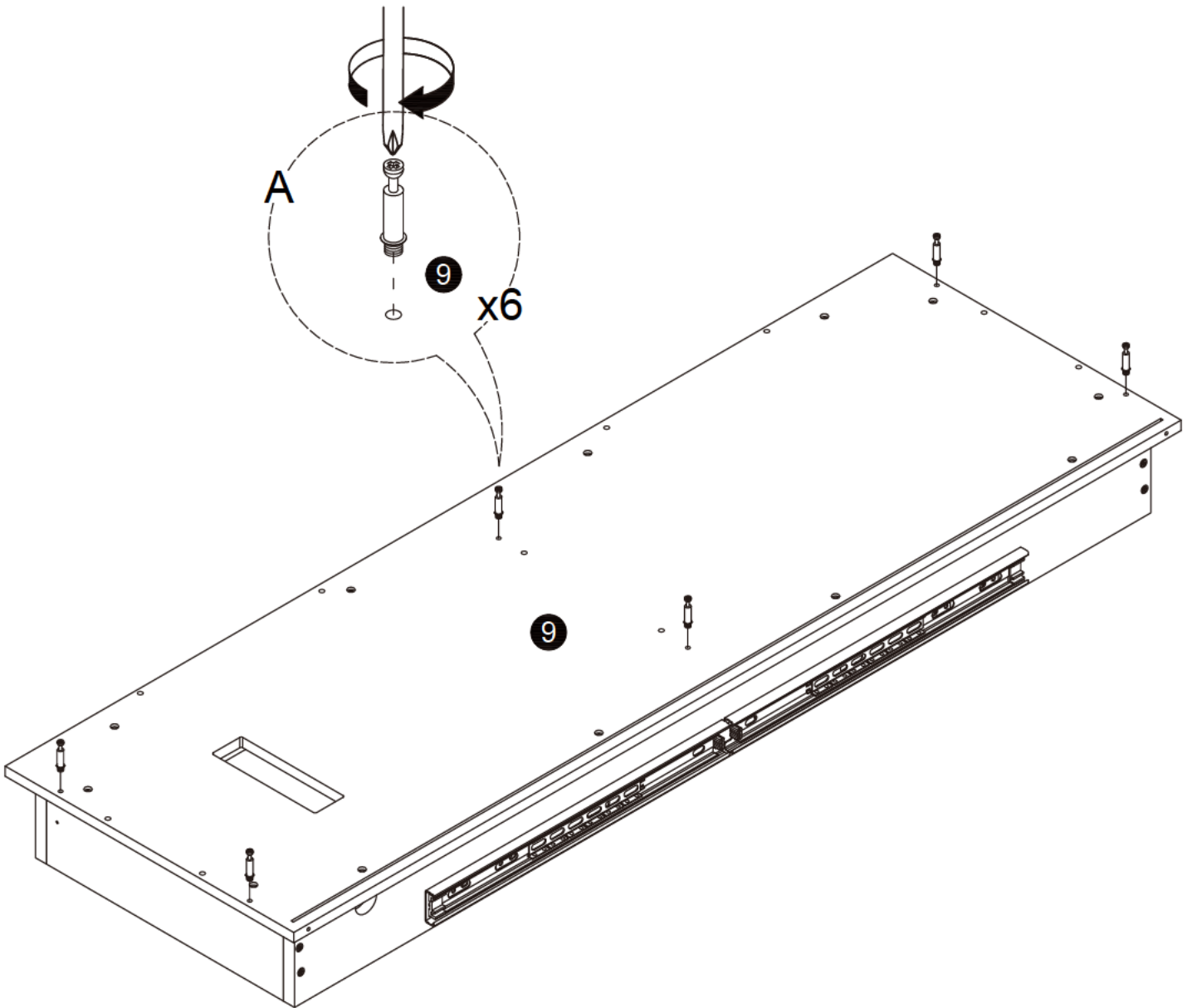
16

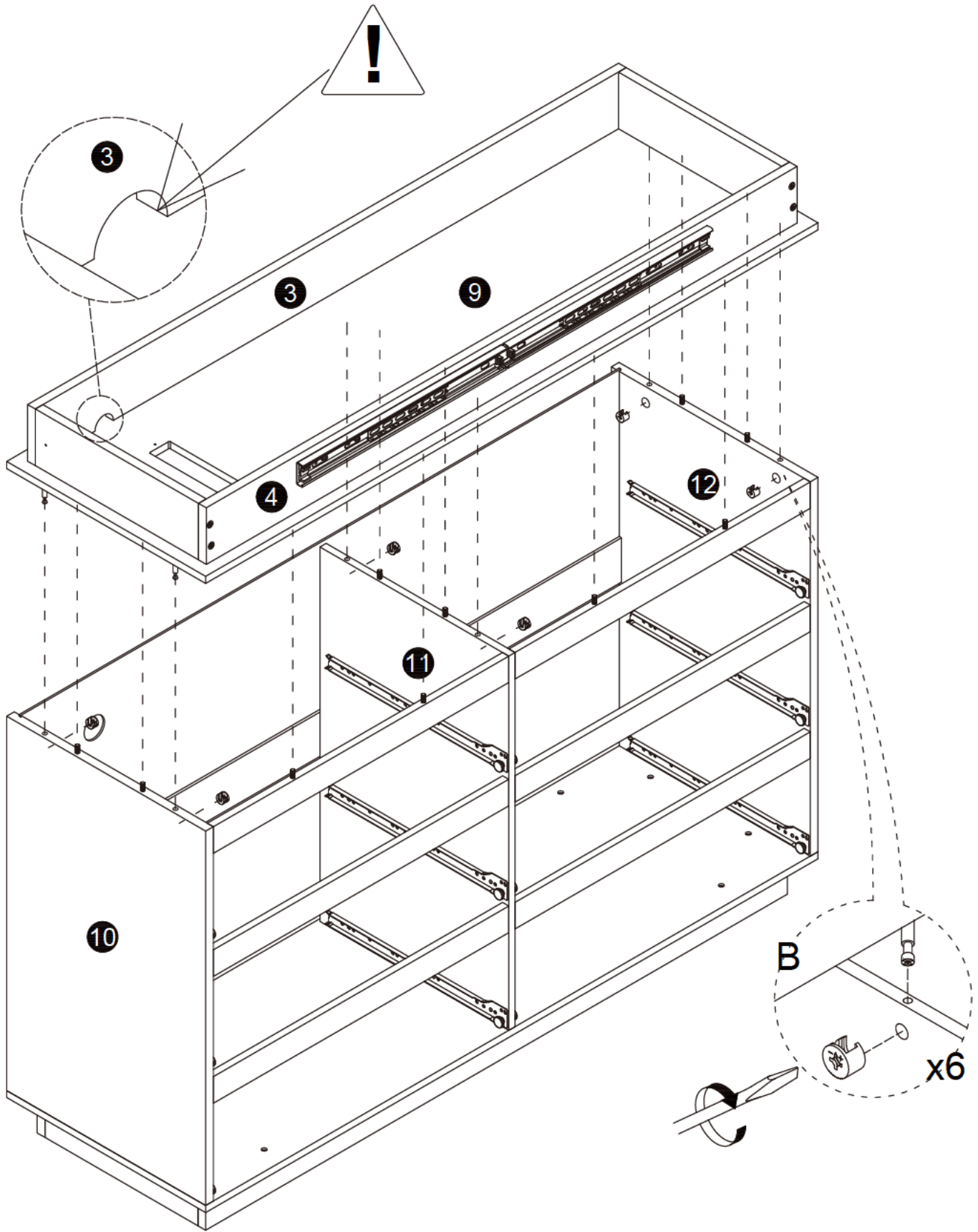




C	x10

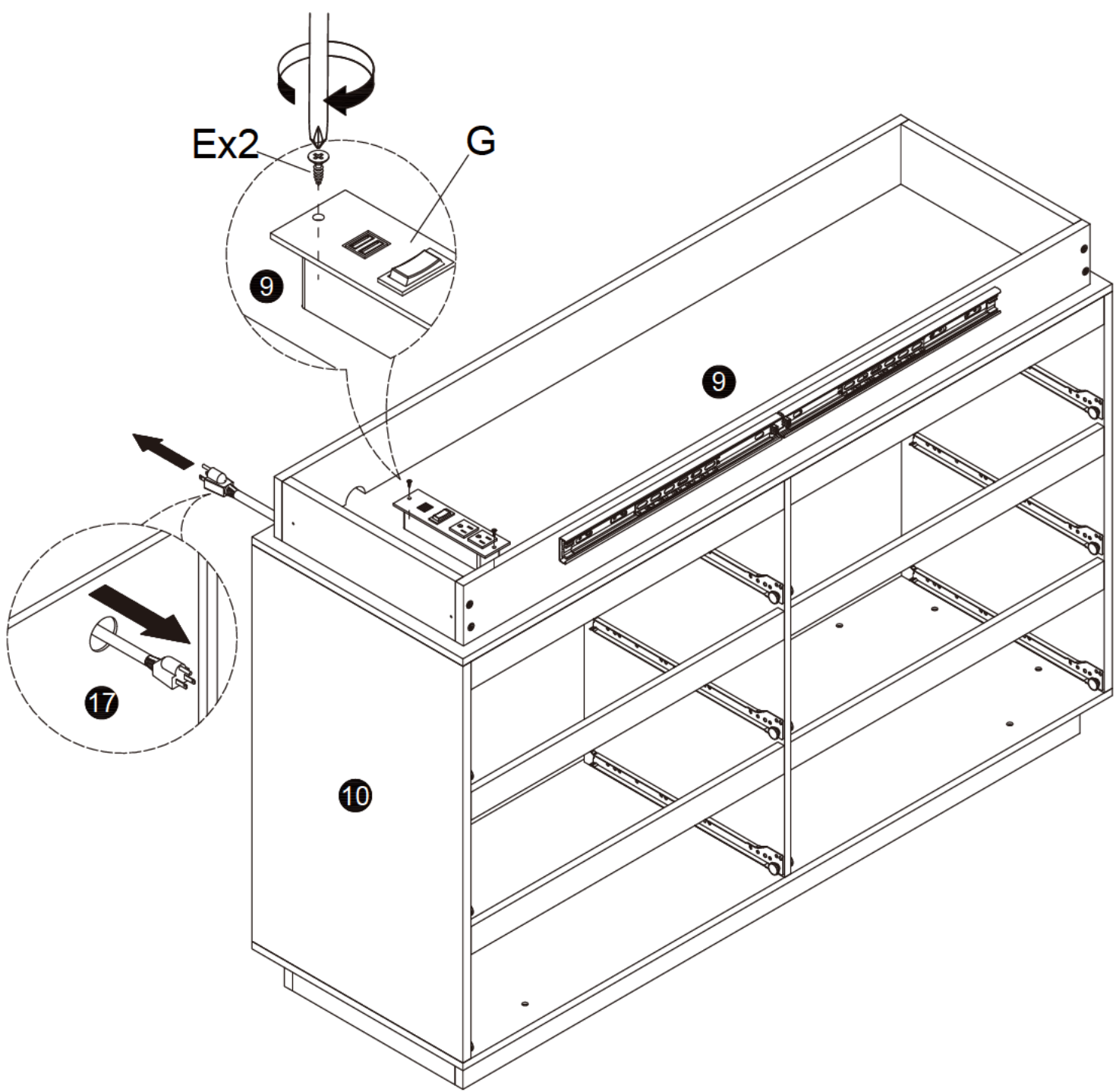
D	x12

A	x6
	








E	x2	G	x1
			



20 (1) Light strip unfolded F

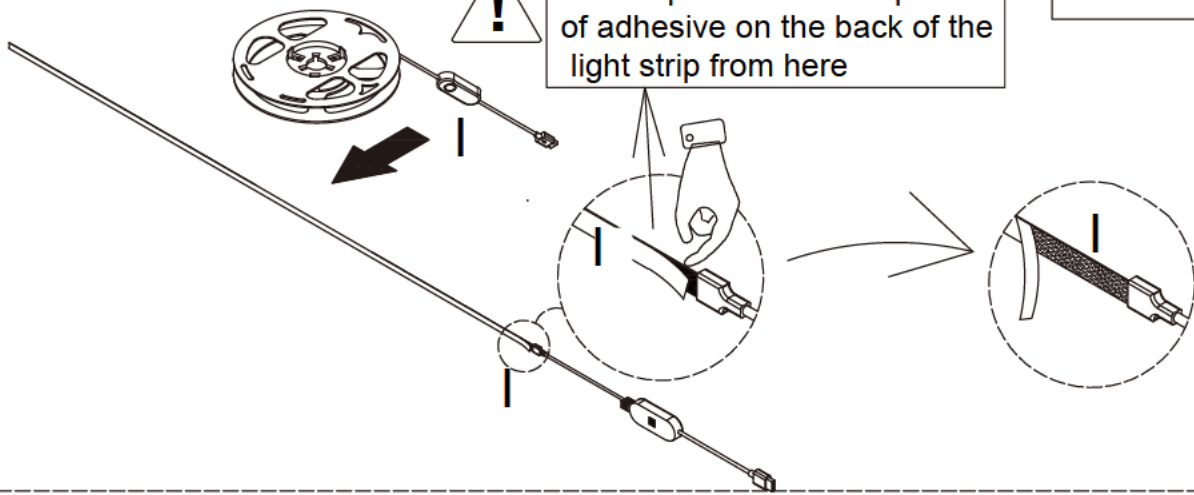
L	x1
	

I	x1
	

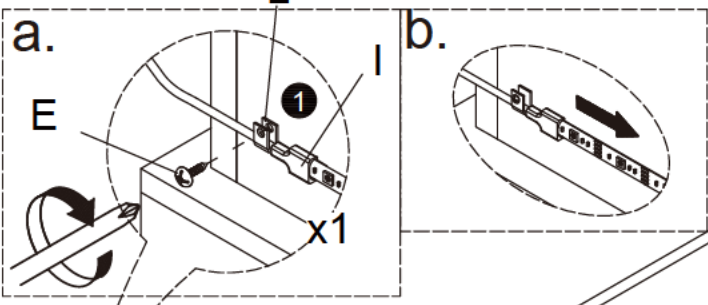
E	x2
	



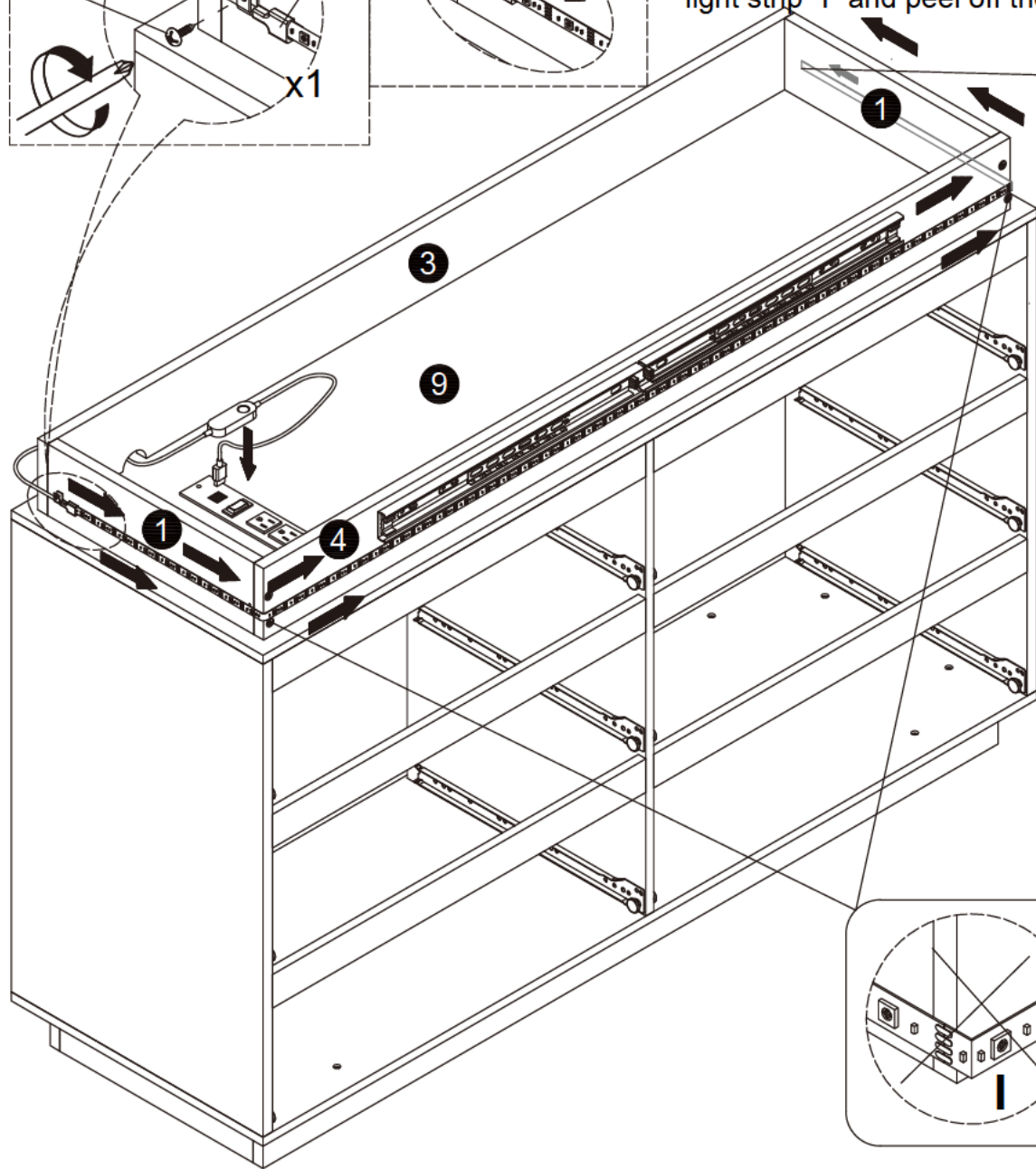
Please peel off a small piece of adhesive on the back of the light strip from here



(2)

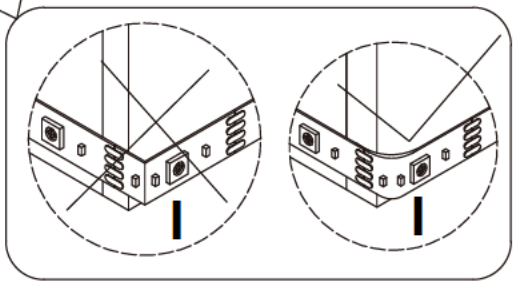


- a. Please first use "L" to cover the light strip "I" line, then use screws "E" to pass through "L" and lock it with board 1.
- b. follow the direction shown in the diagram to stick the light strip "I" and peel off the adhesive on its back.



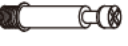


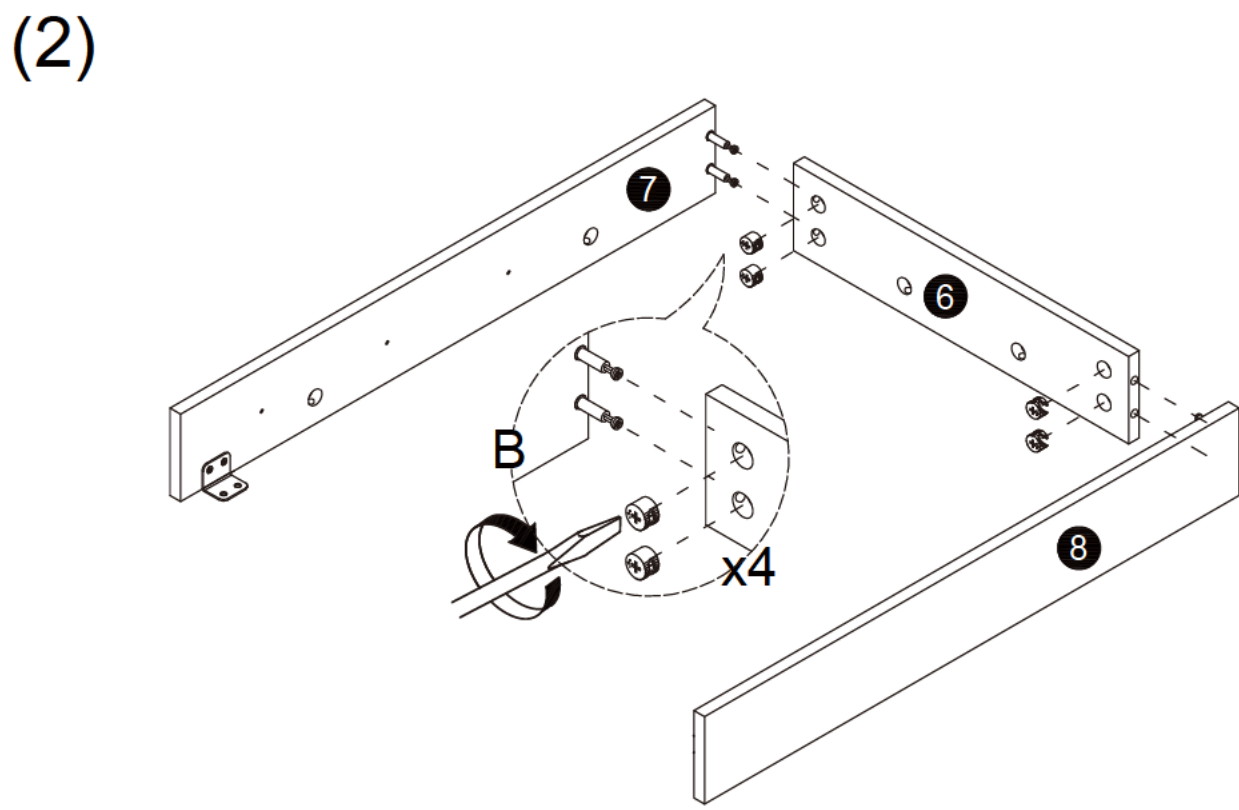
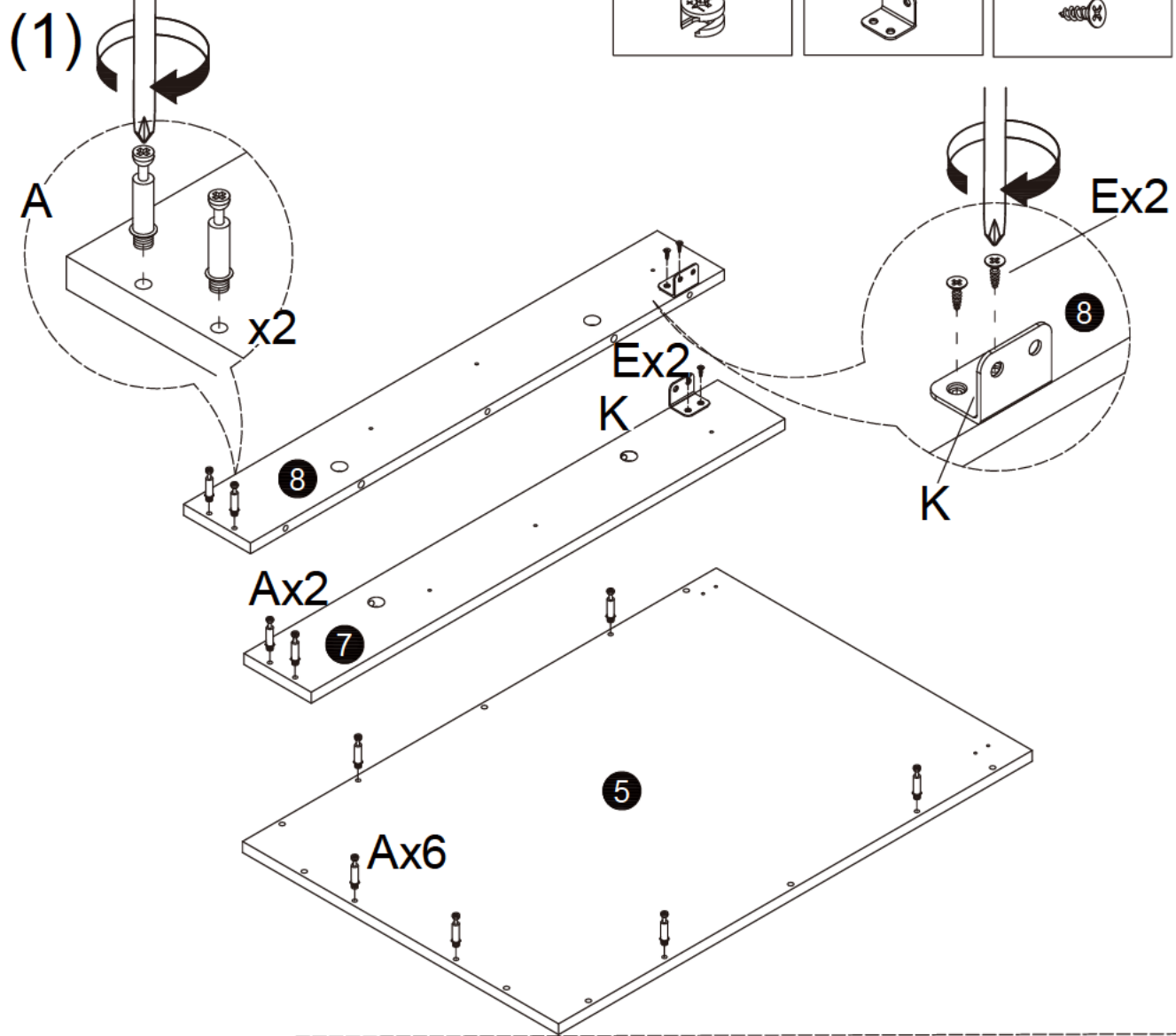
light bar

According to the actual length, cut the excess light strip or keep it



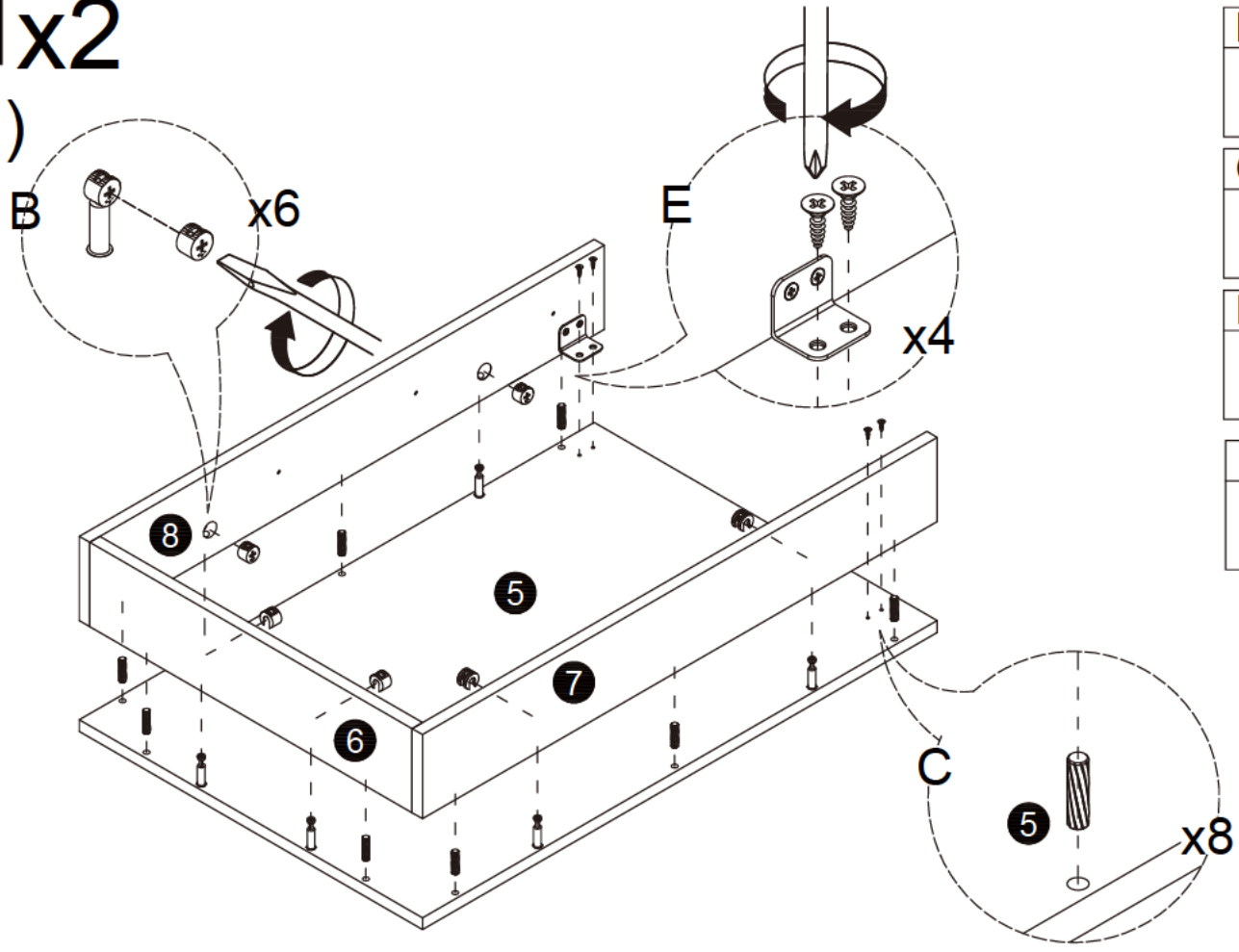
21 x2

B	x8	K	x4	E	x8	A	x20
							



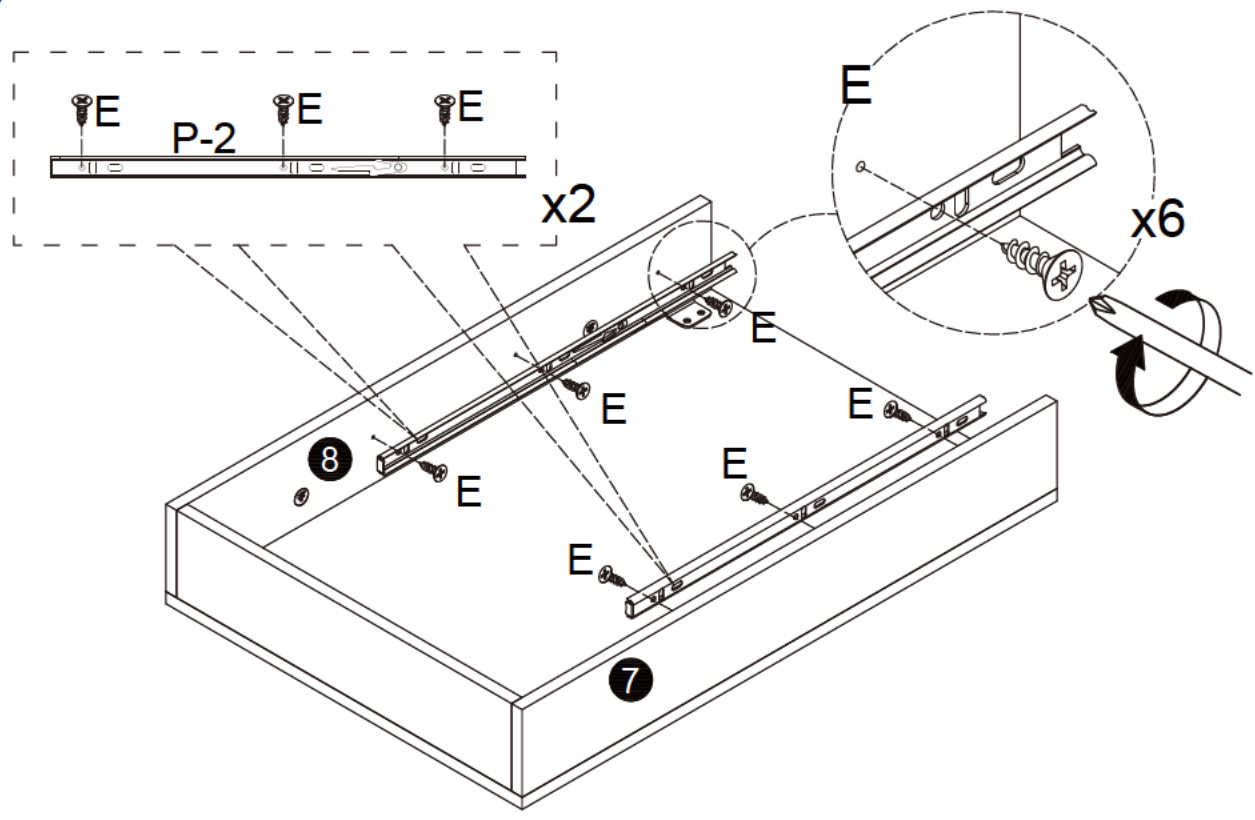
22 x2

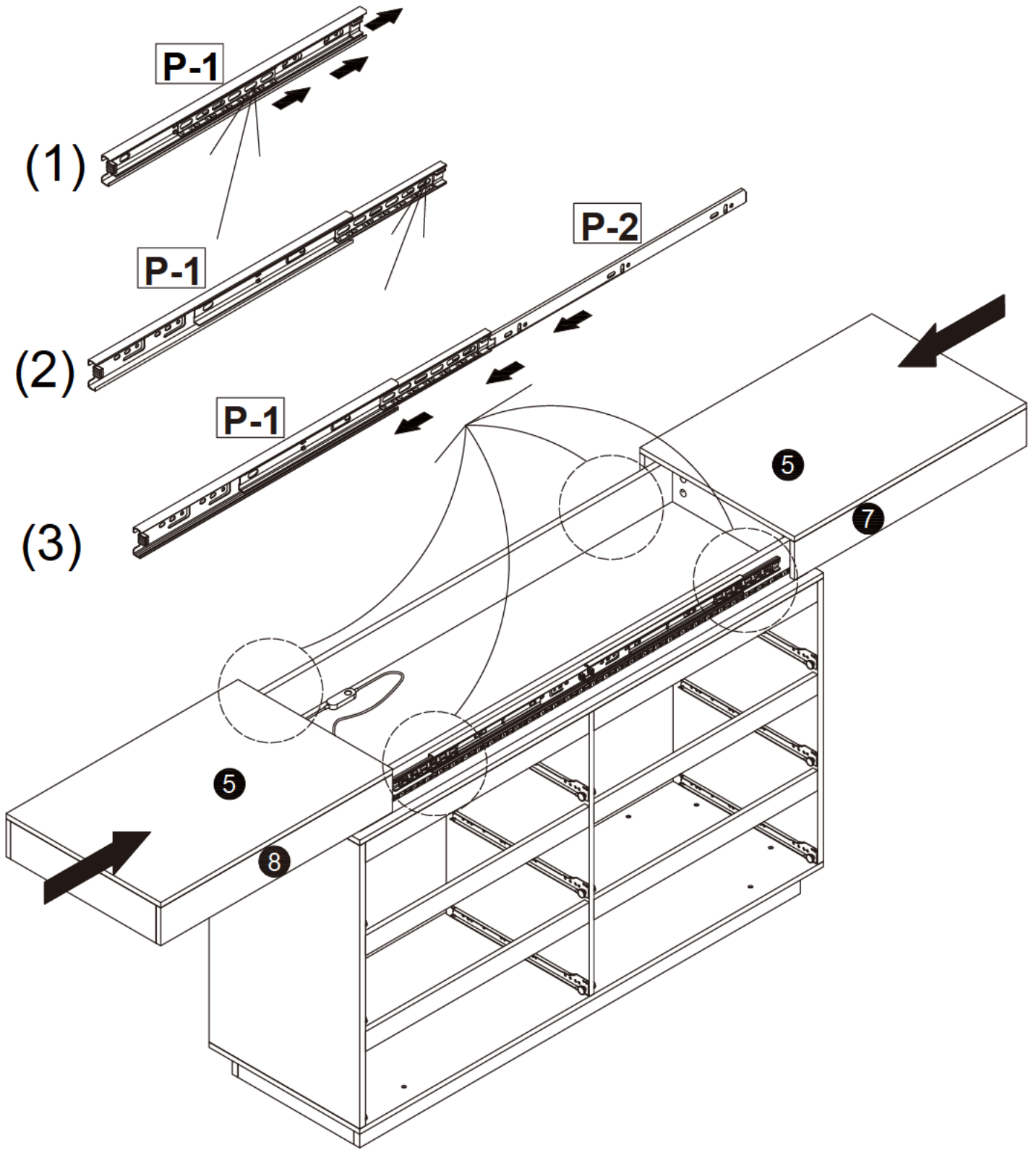
(1)







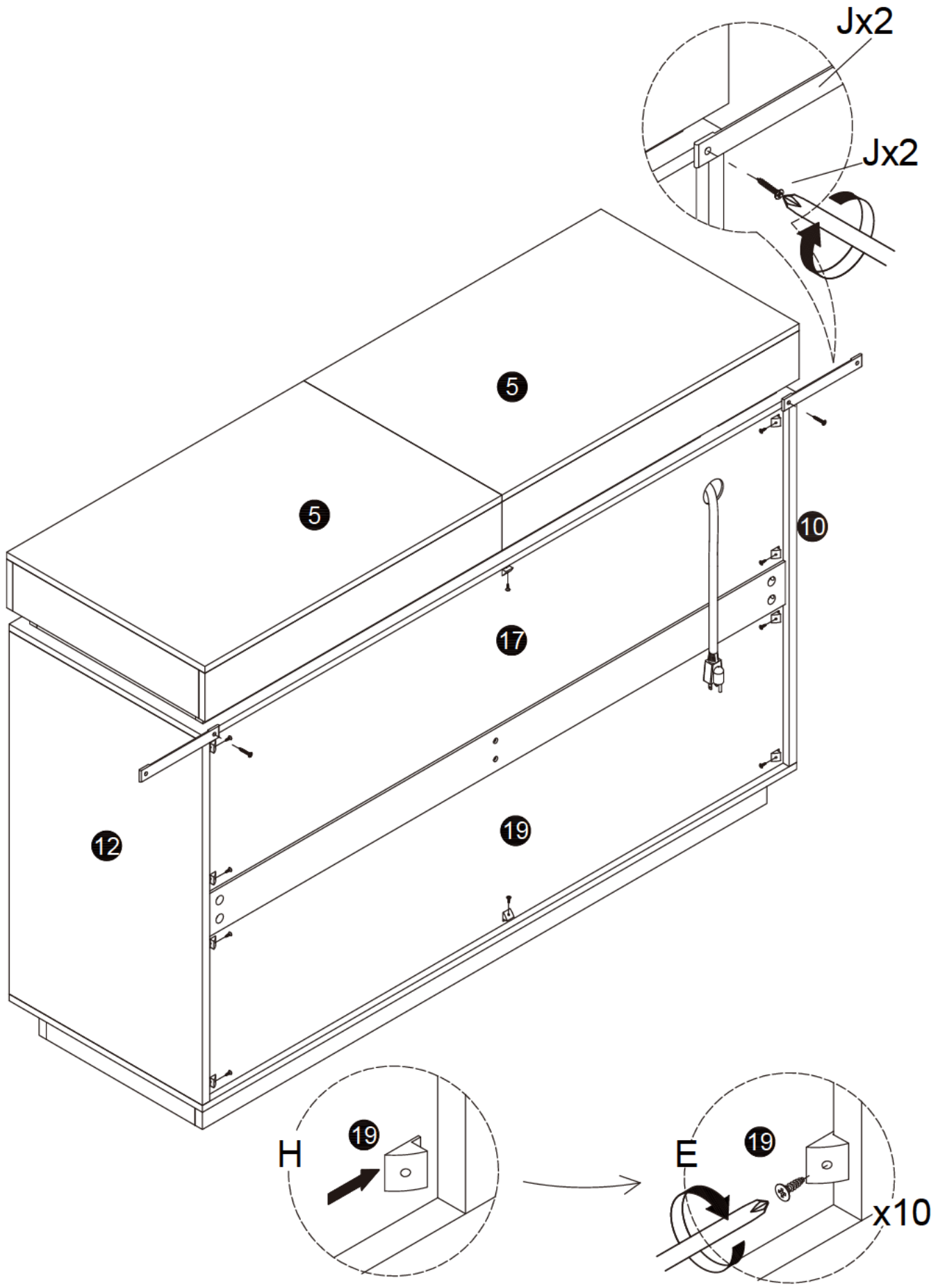
B	x12
C	x16
E	x20
P-2	x4

(2)





E	x10	J	x2	J	x2	H	x10
							



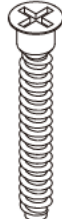
Drawer



A
x30



B
x30



D
x30



E
x24



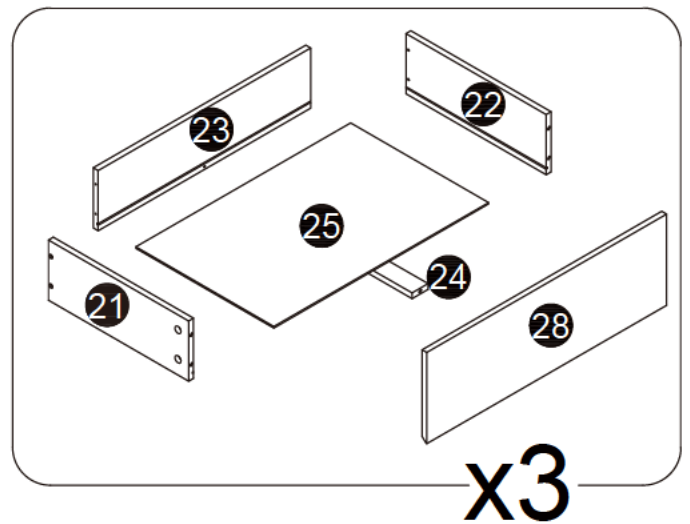
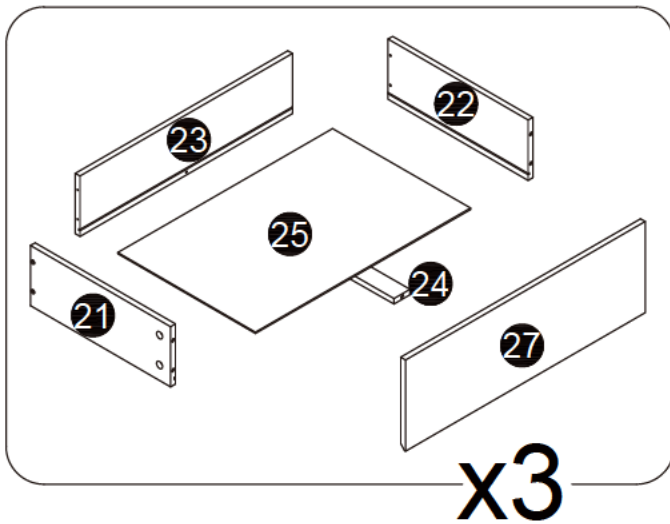
DL
x6




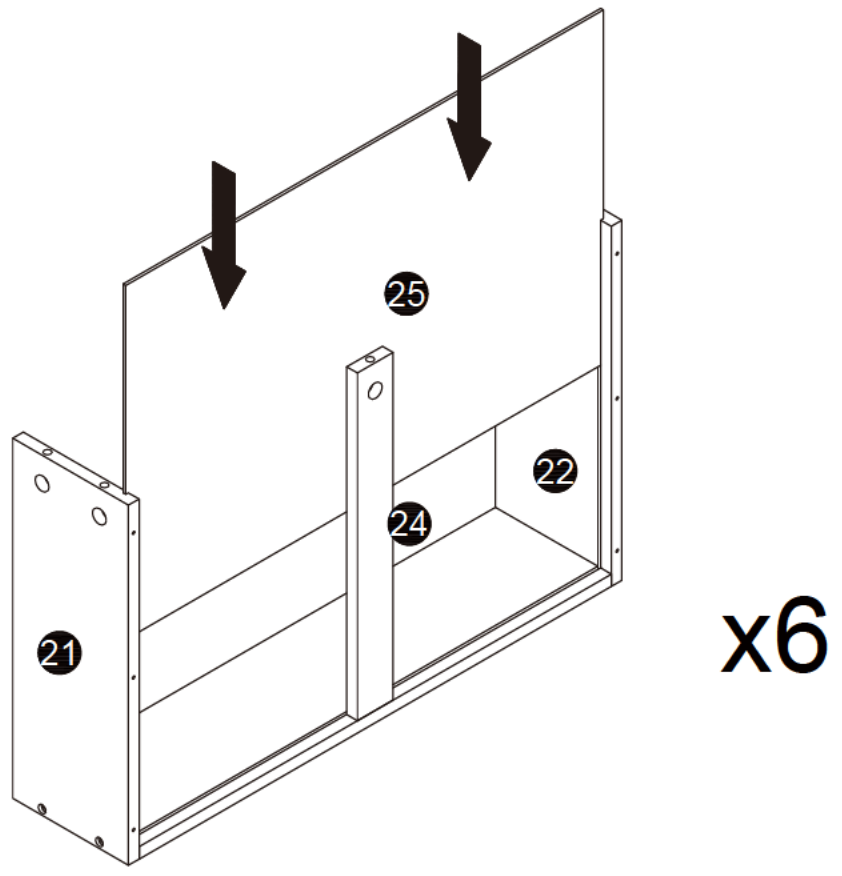
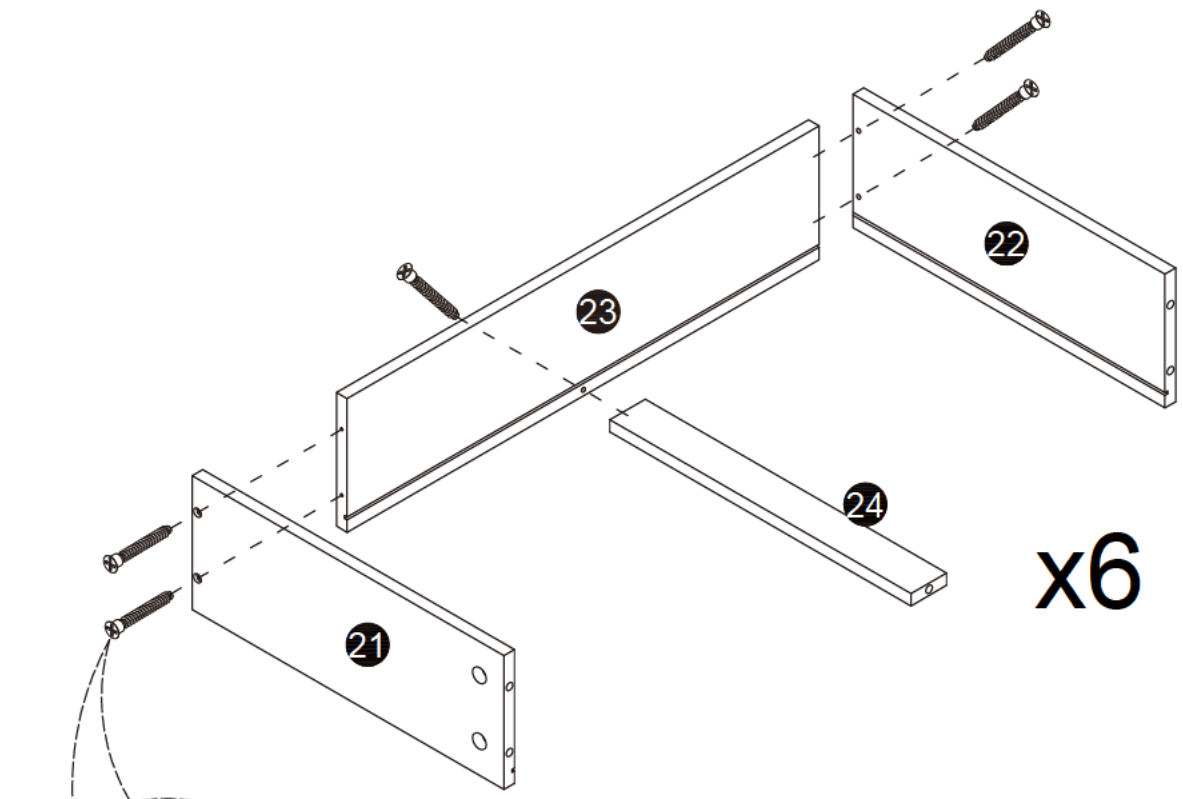
DR
x6


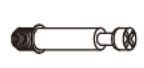


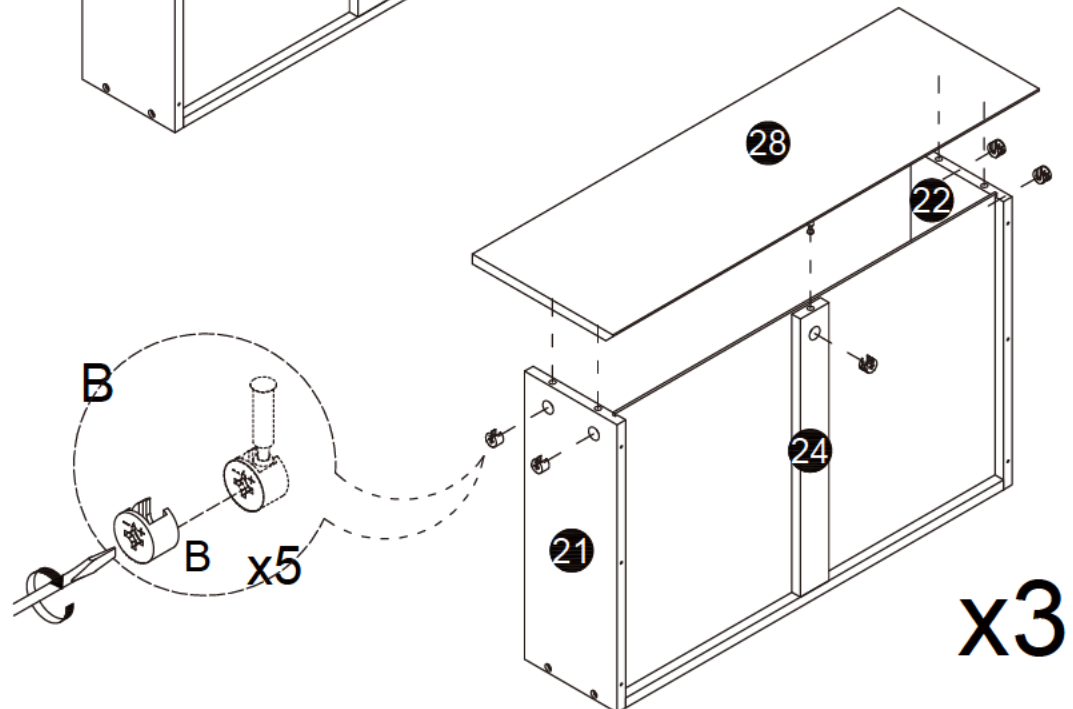
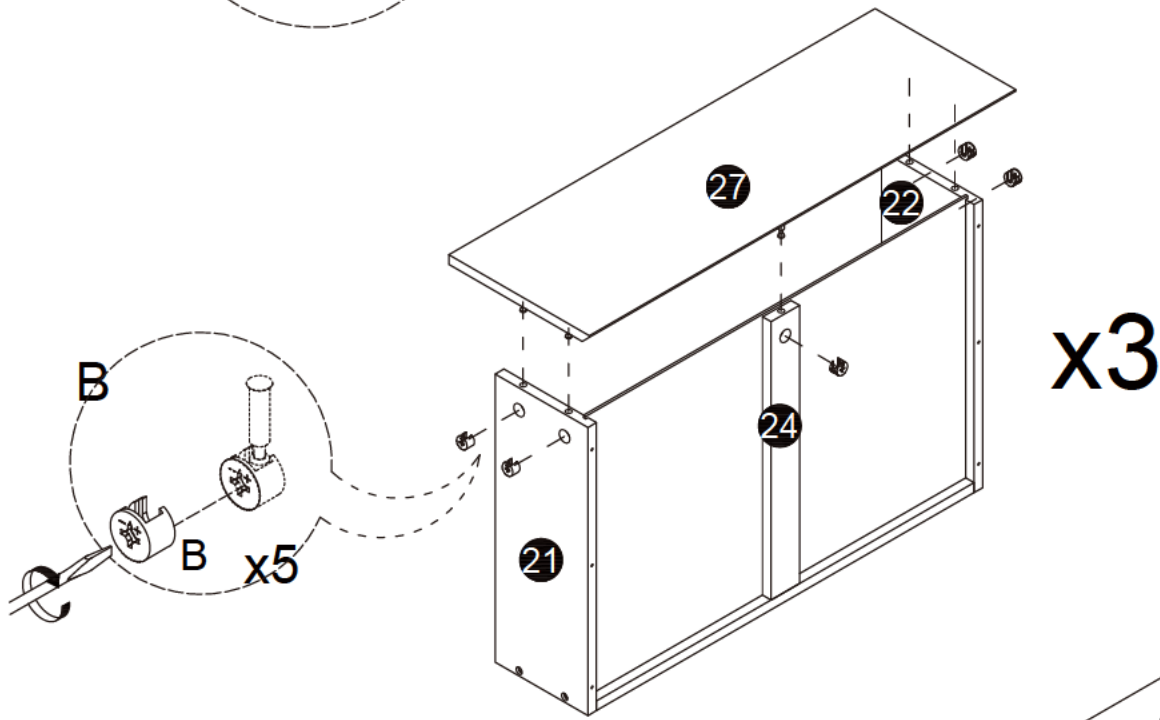
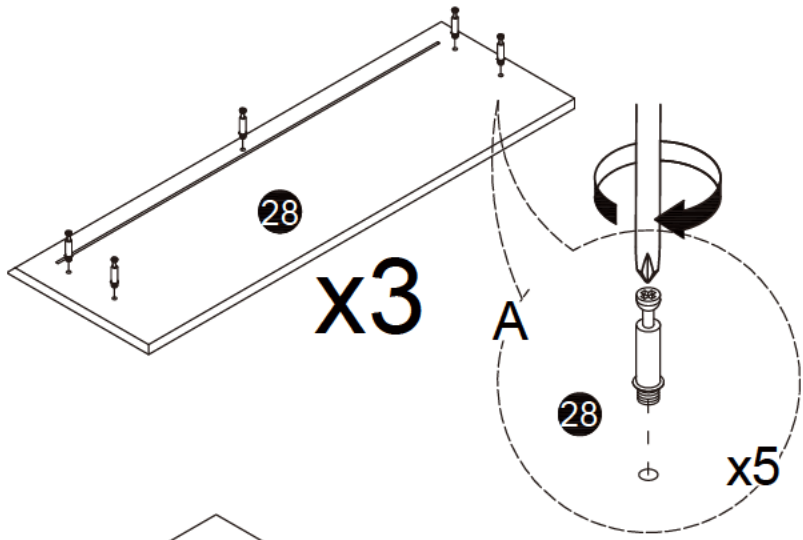
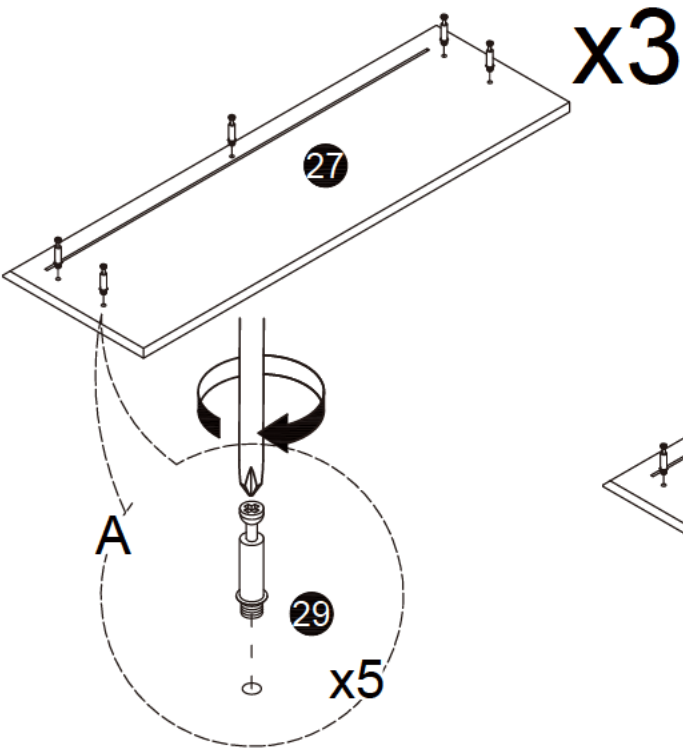
J x2






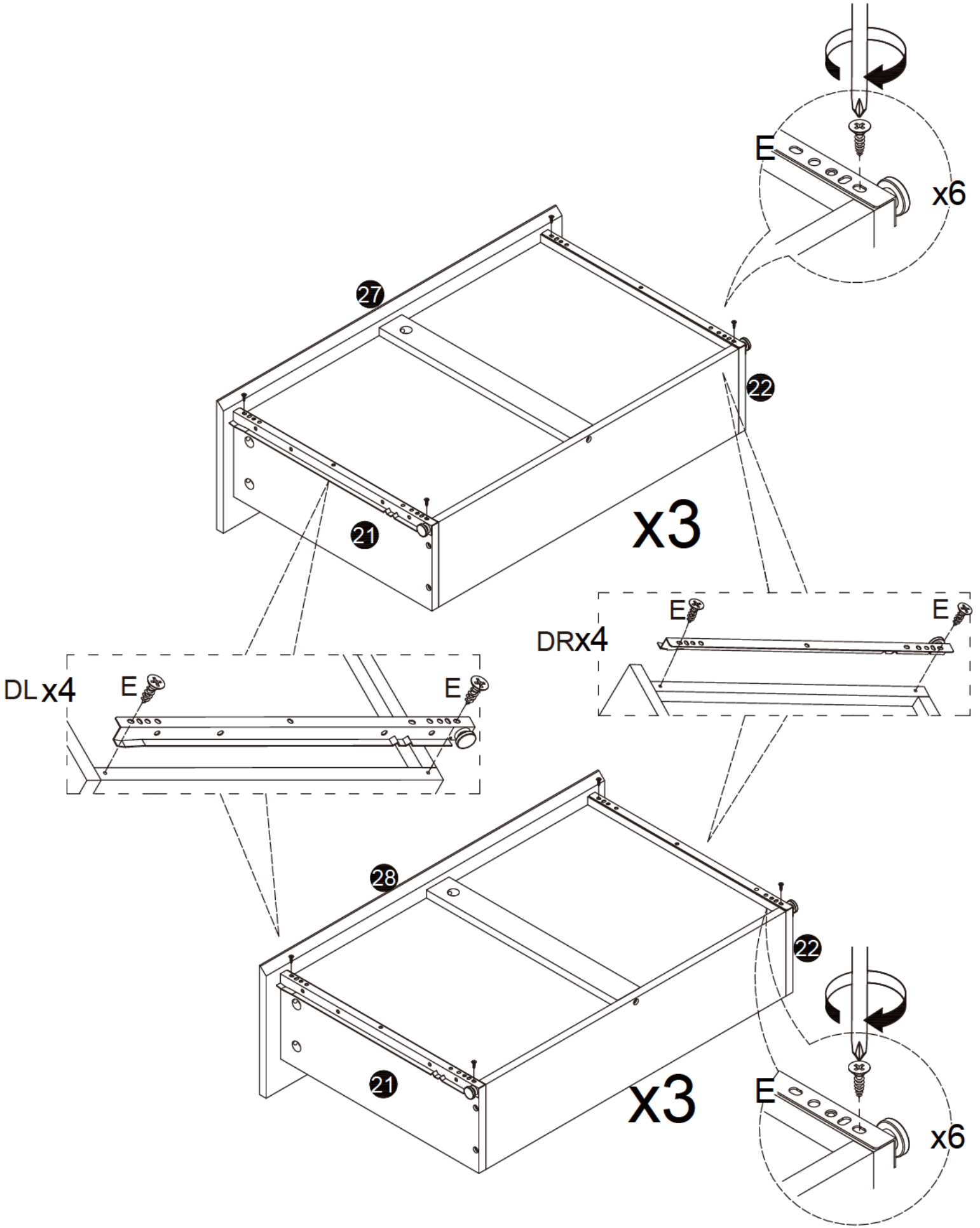
D	x30
	

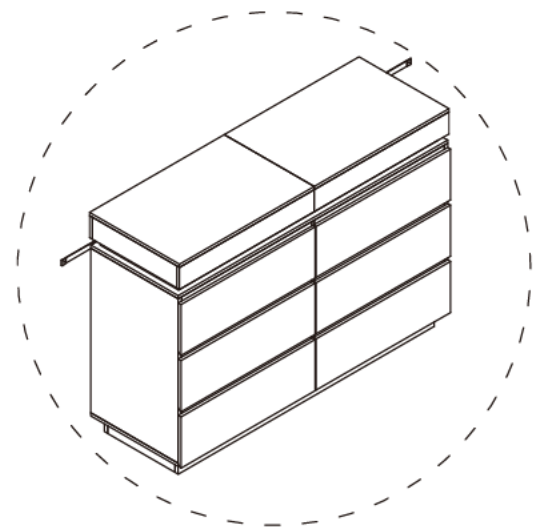
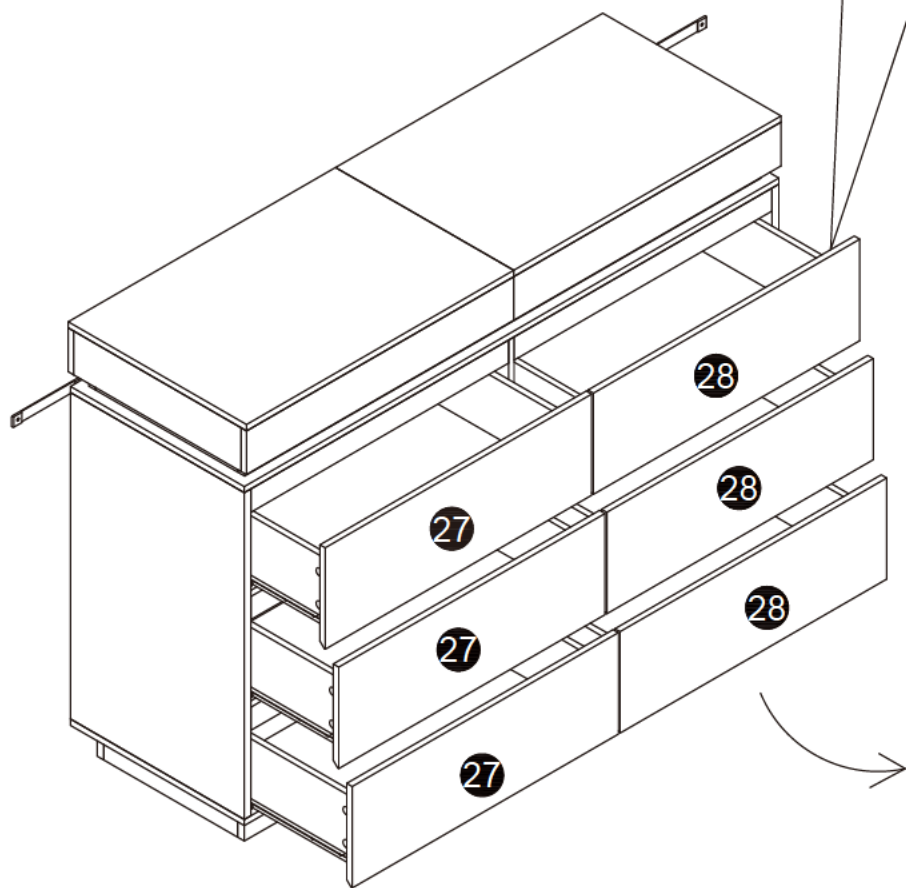
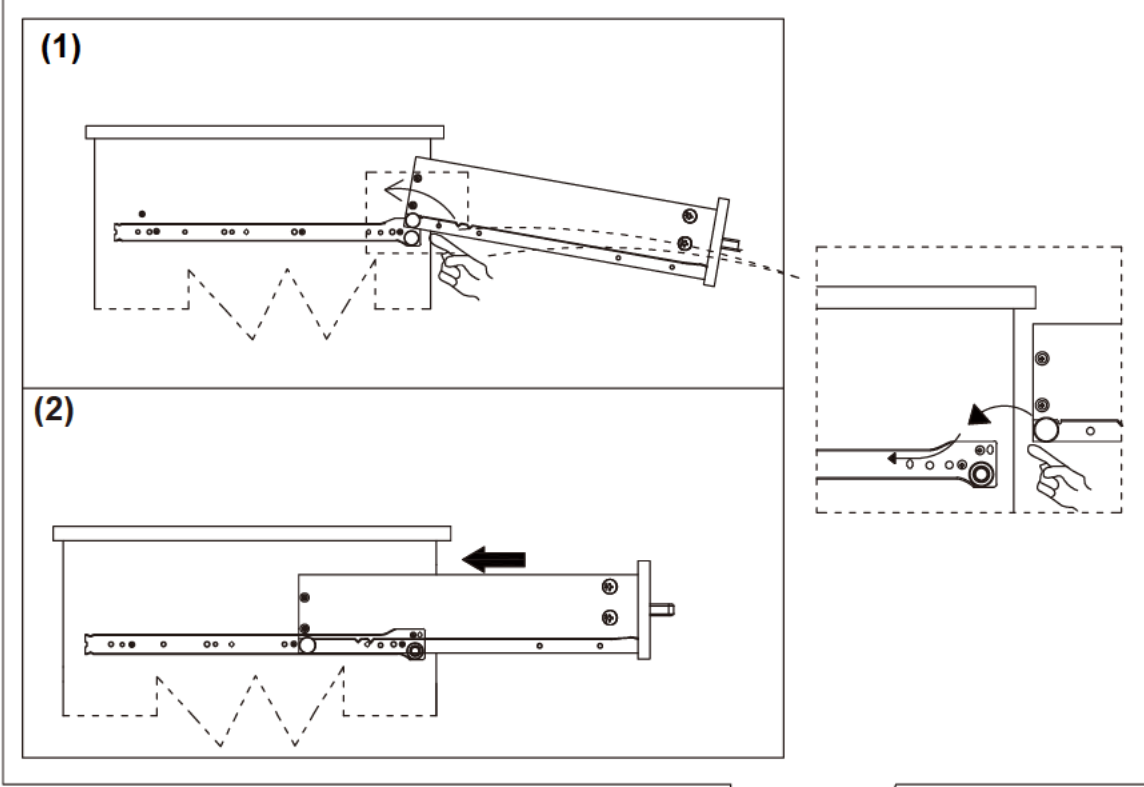



B	x30	A	x30
			



DL	x6	DR	x6	E	x24
					





J	x2
	

J	x2
