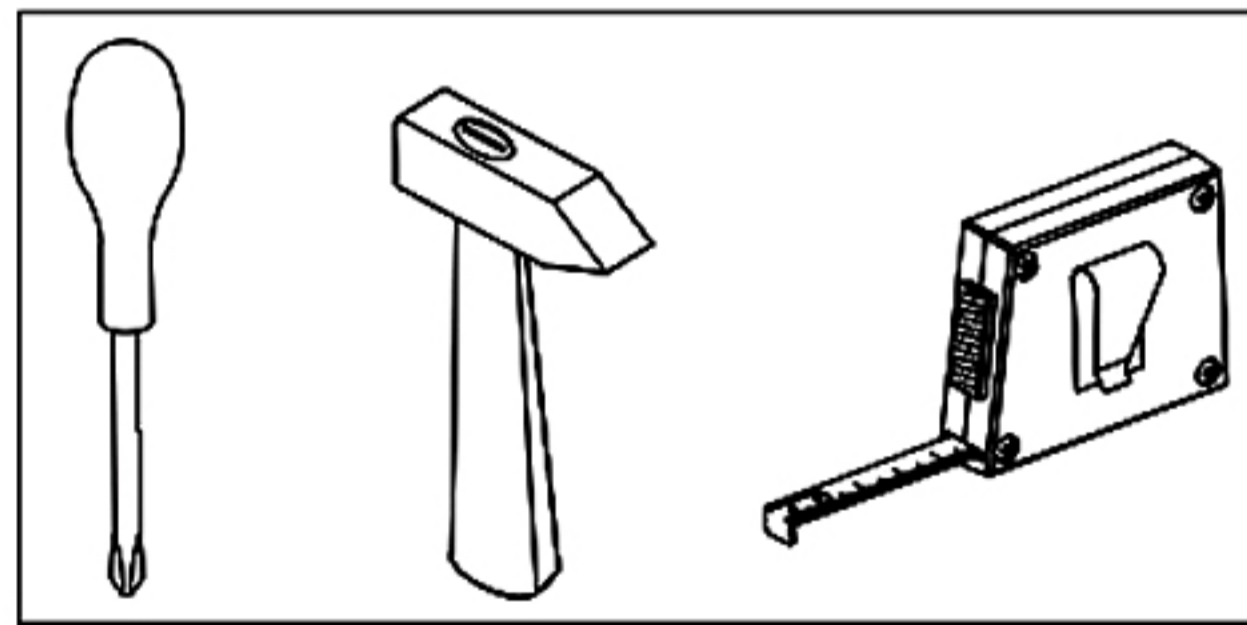
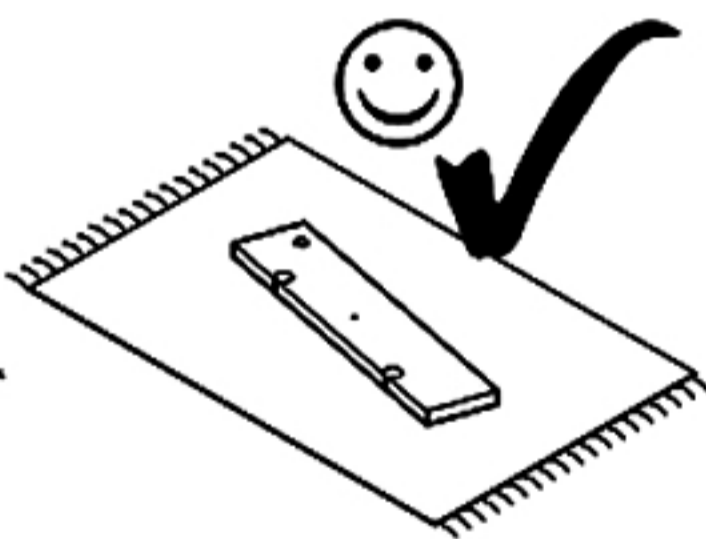
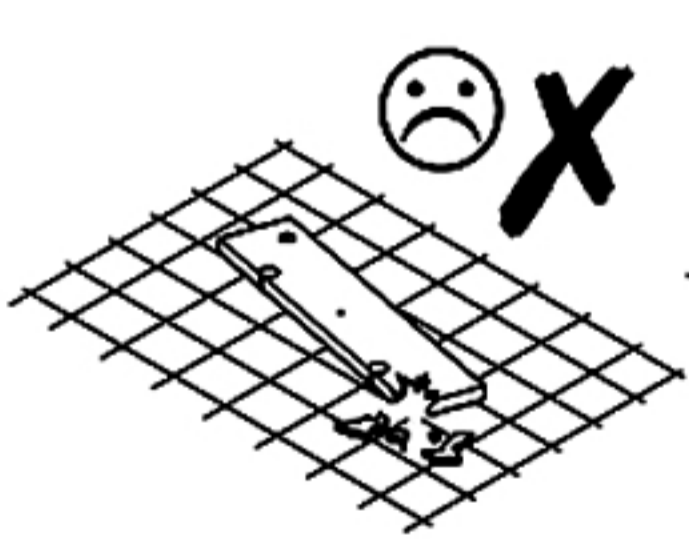
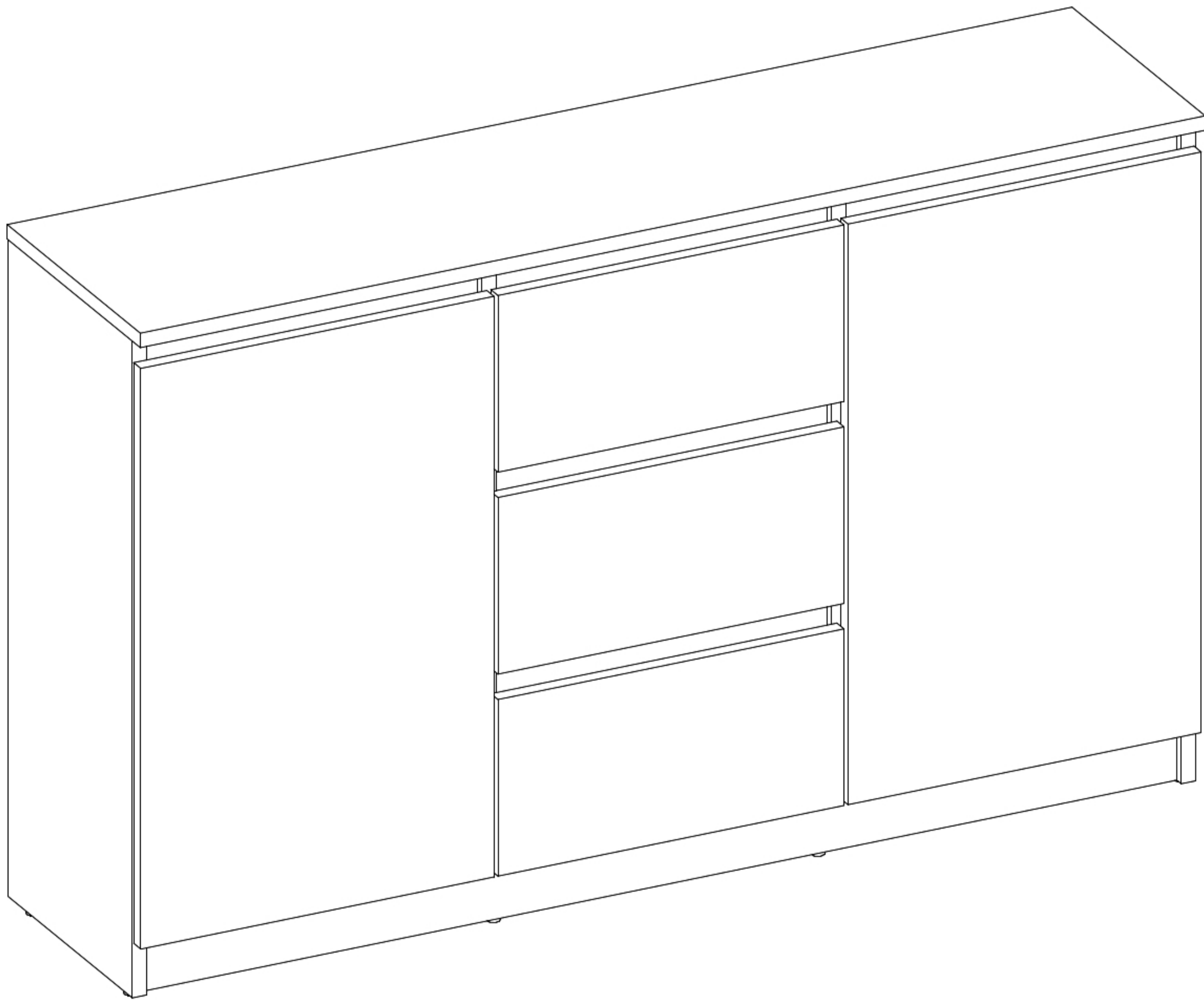
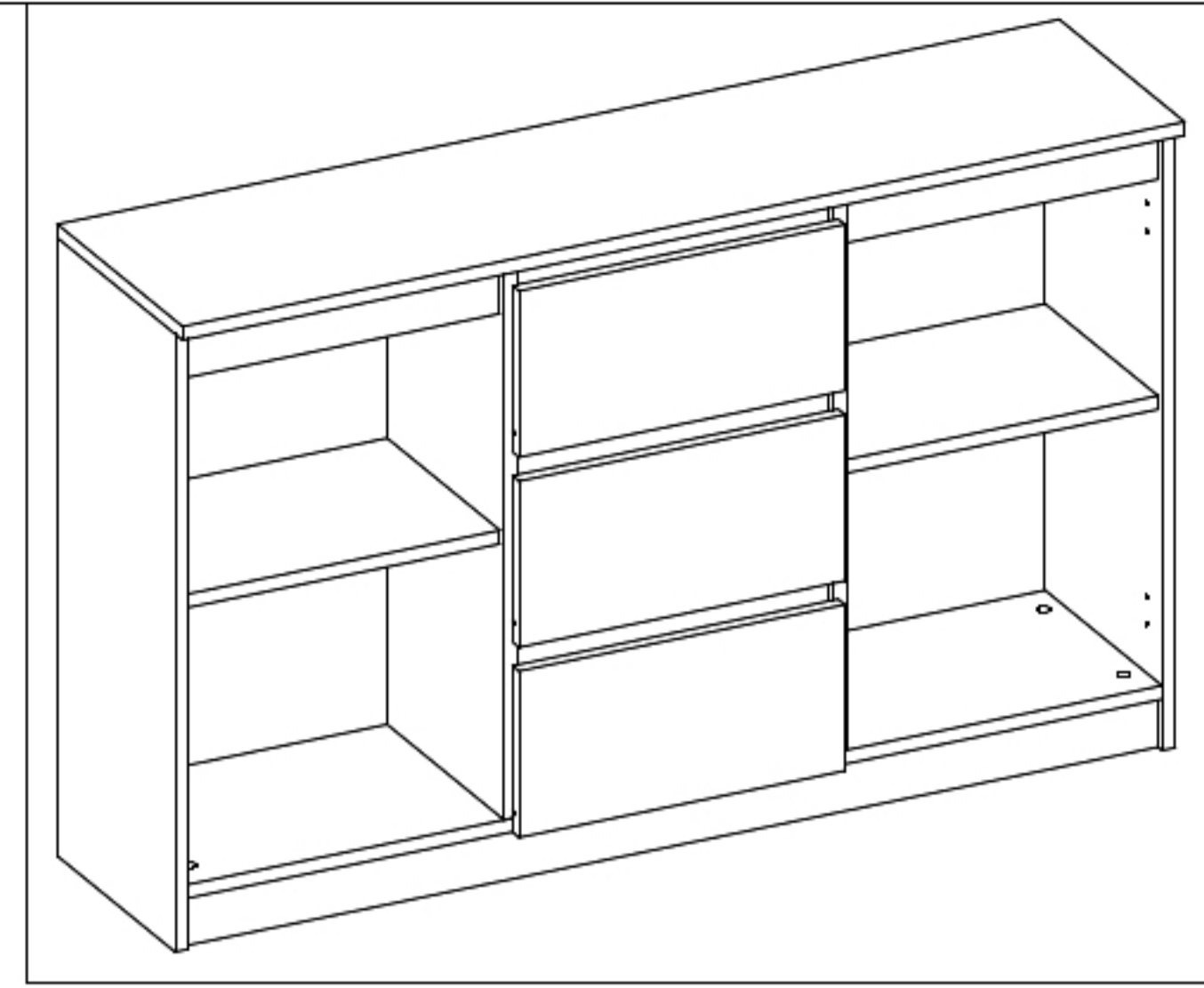

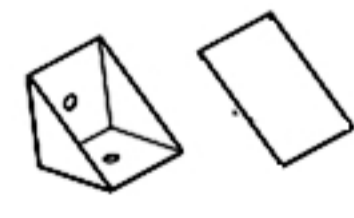




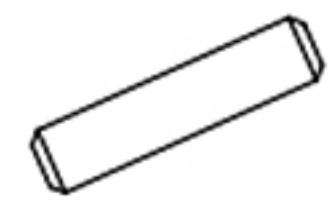


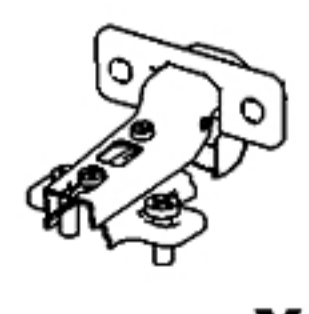


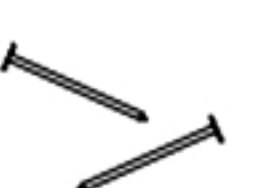



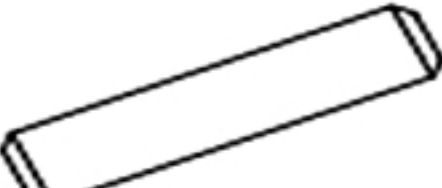
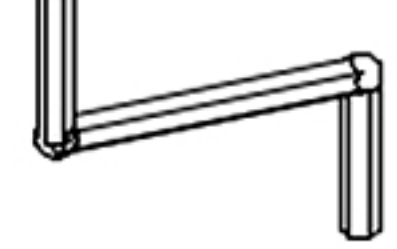


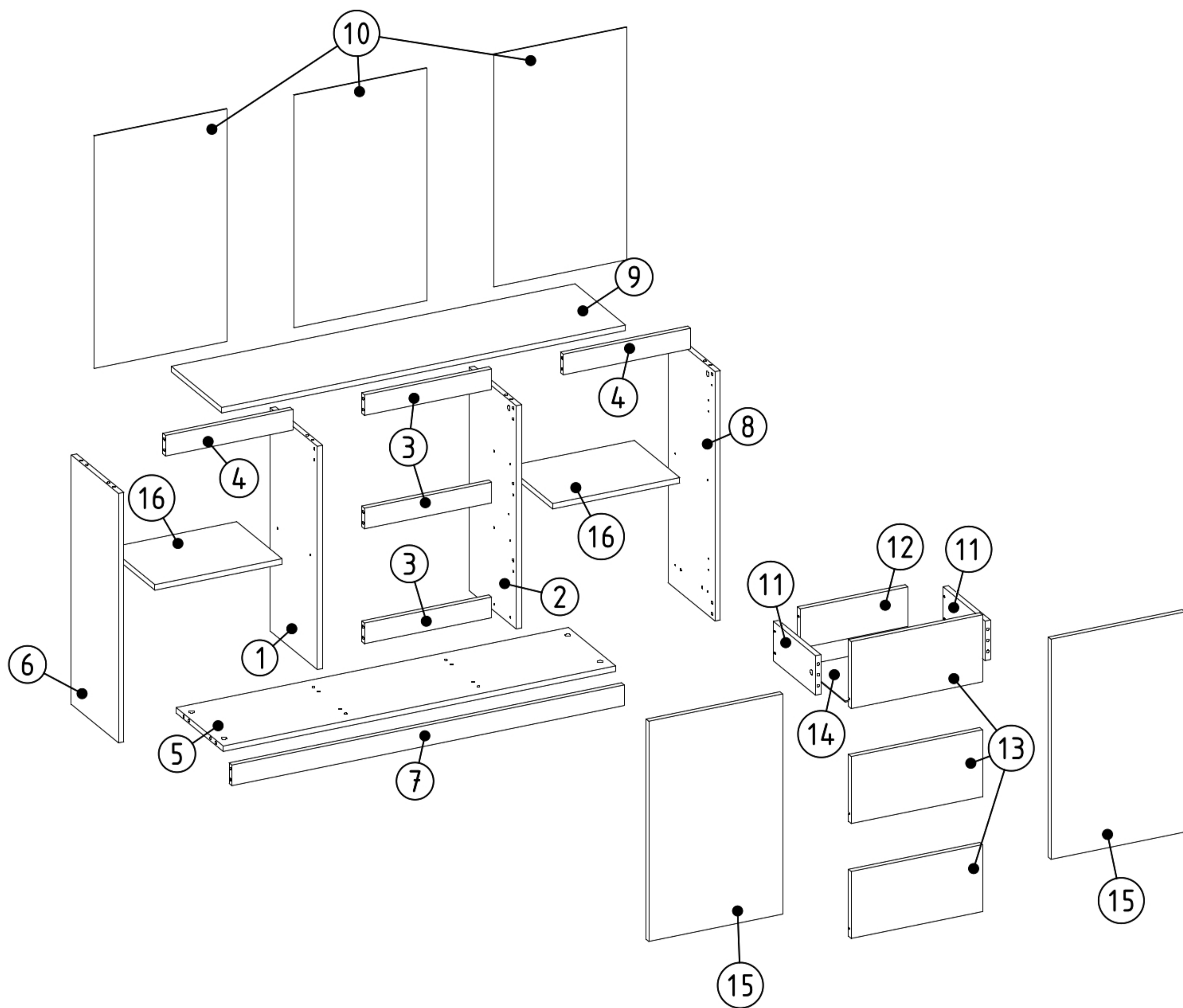


27.03.2020

2D3S

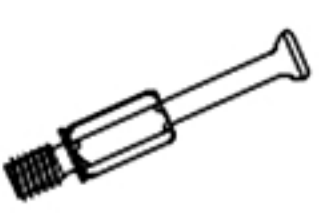

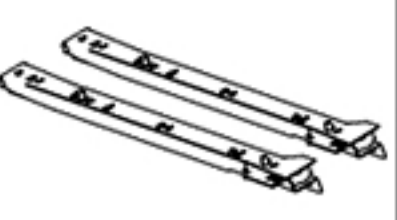




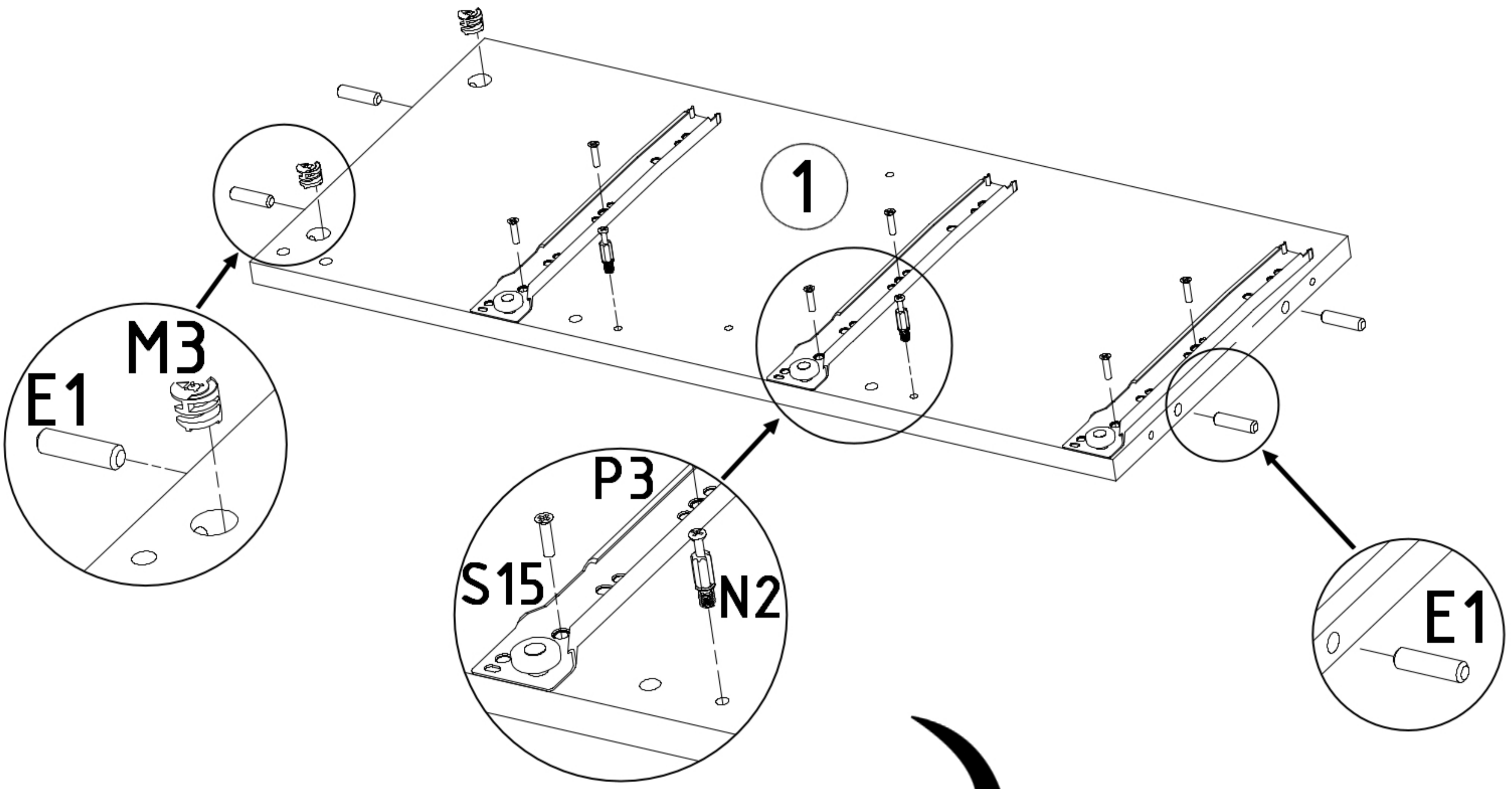
 S5 x 1 2,5x20 x 8	 K2 x 1	 N2 L=20,3 x 24	 M3 x 28	 E4 x 12	 S1 3,5x16 x 22	 E1 8x30 x 38	 D2 x 8	 F2 x 4	 A0 x 4	 Z4 x 8
 T1 x 8	 Z2 x 70	 P3 L=250 x 3	 S15 6x8 x 12	 M2 x 10	 E3 8x50 x 2	 K1 x 1	 N3 L=56 x 2	 F1 x 8		




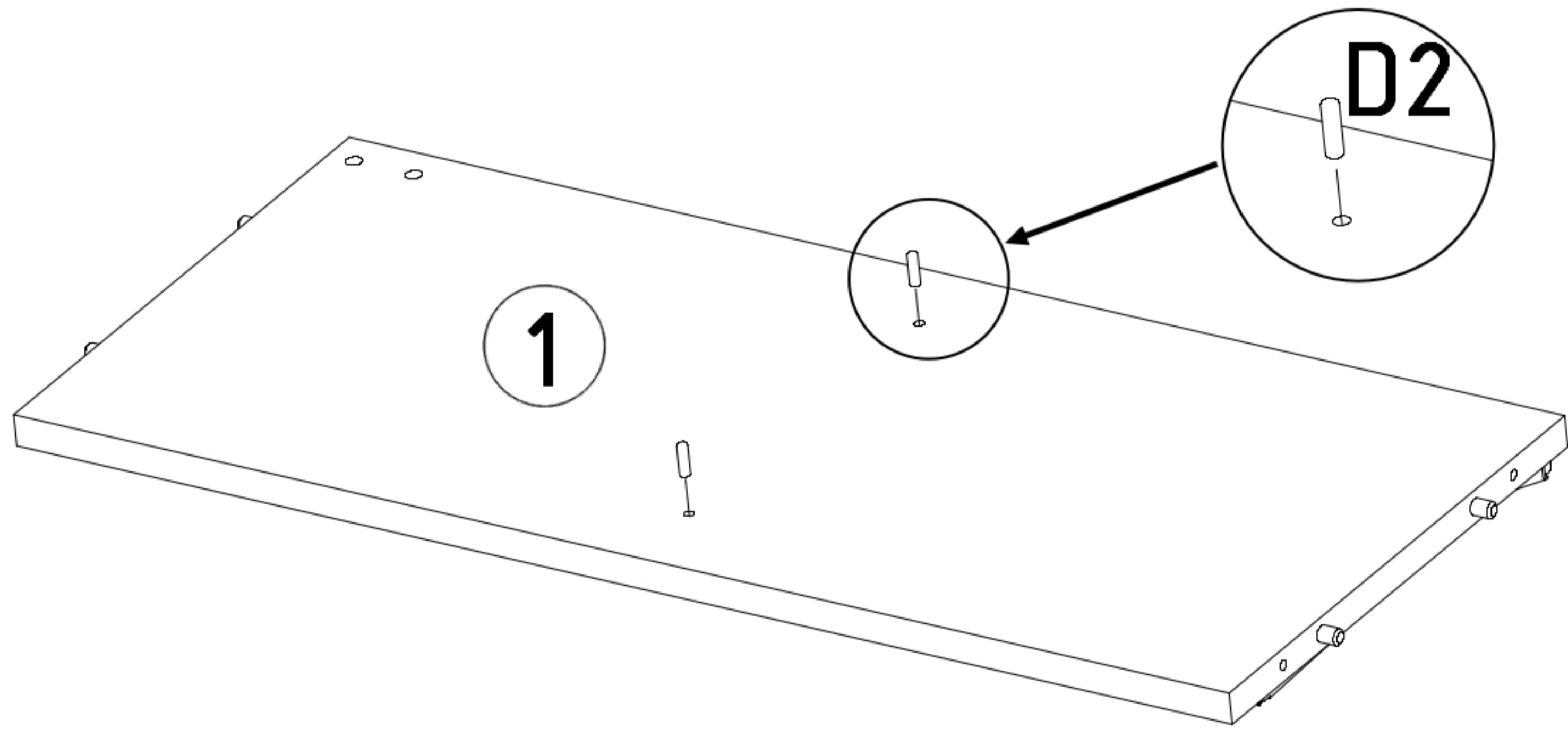
1	x	1
2	x	1
3	x	3
4	x	2
5	x	1
6	x	1
7	x	1
8	x	1

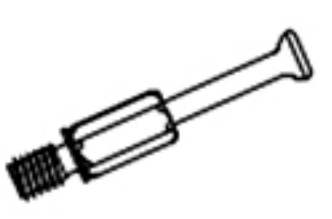

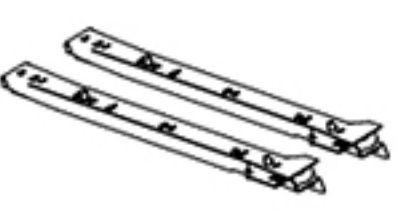


9	x	1
10	x	3
11	x	6
12	x	3
13	x	3
14	x	3
15	x	2
16	x	2

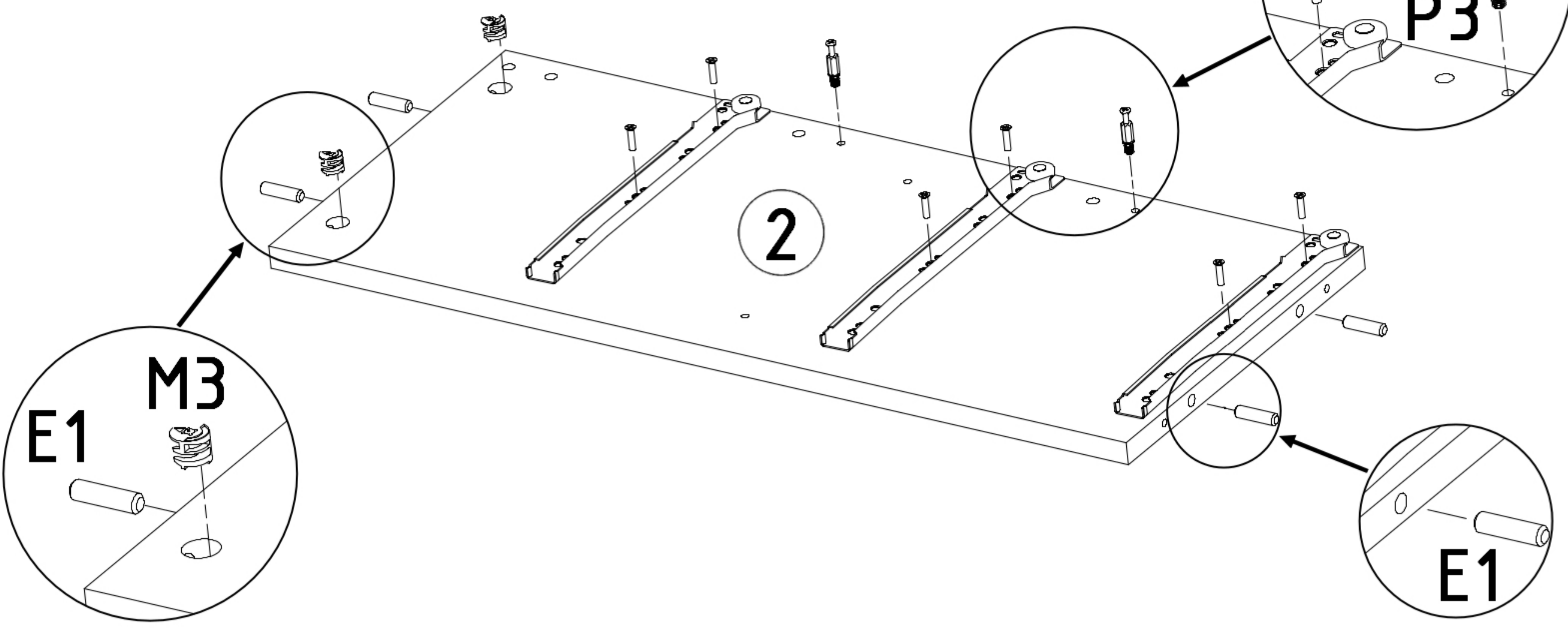
N2  x 2	M3  x 2	P3  x 3	S15  x 6	E1  x 4
--	---	---	--	---




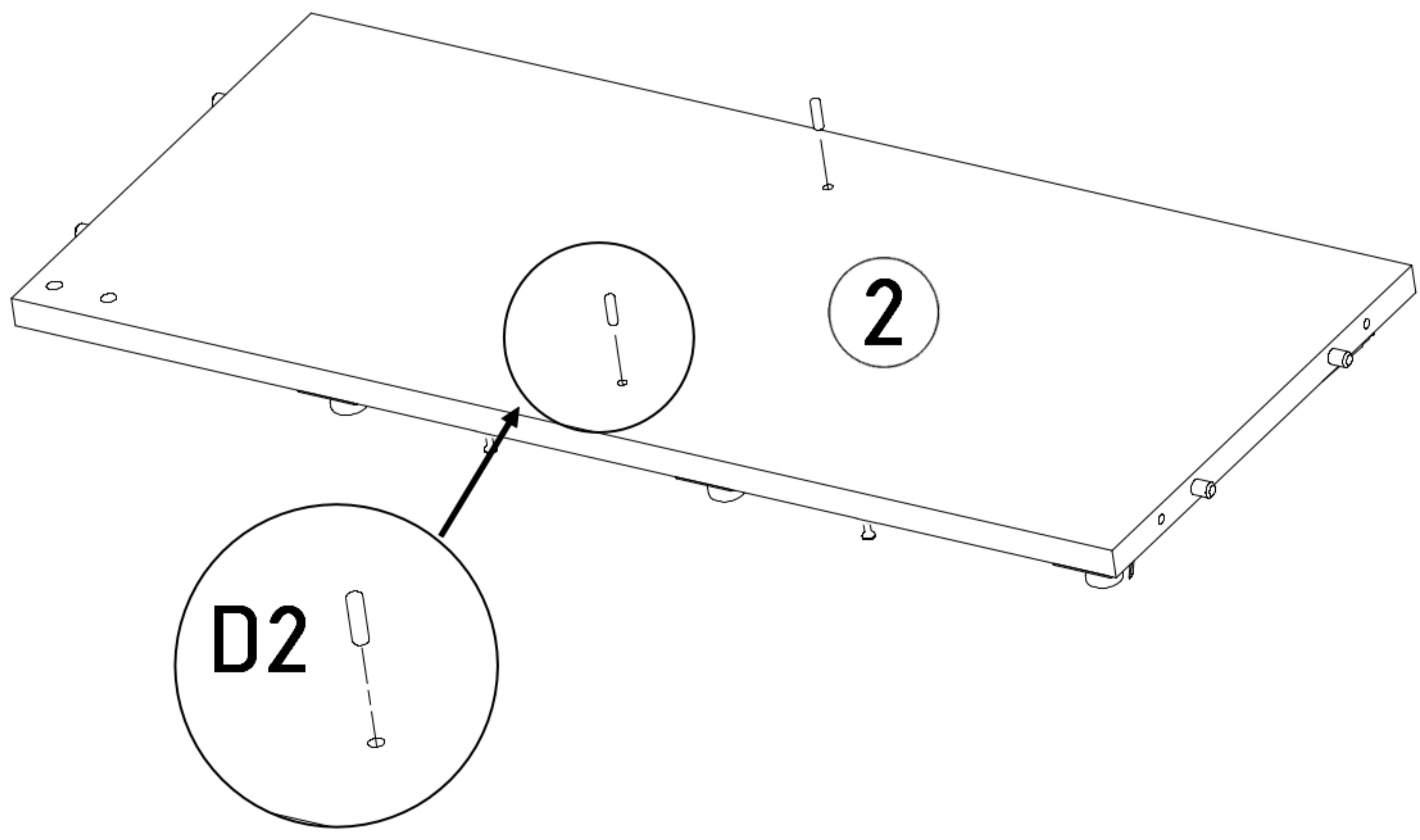
D2  x 2

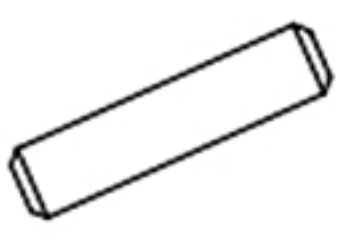



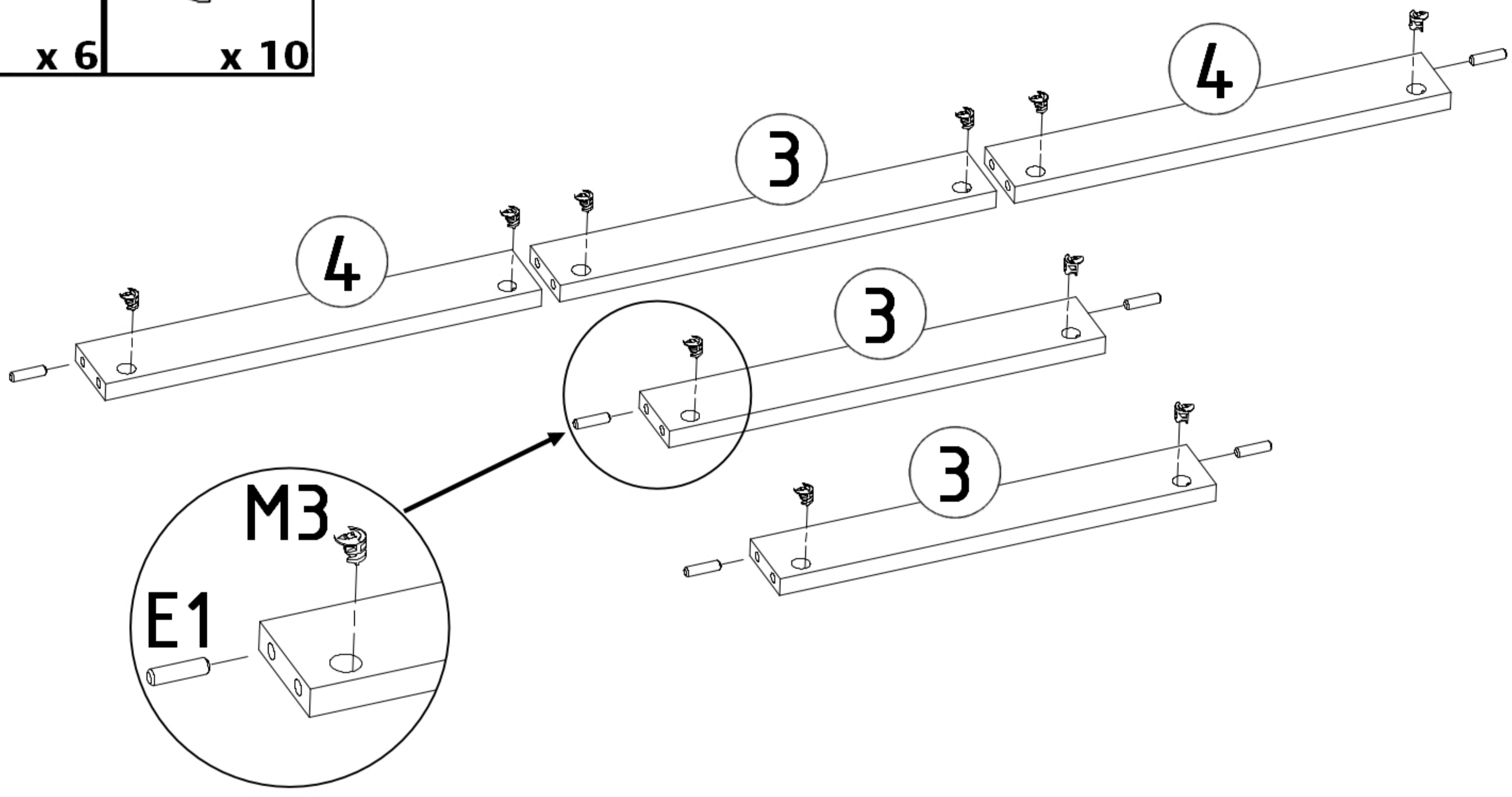
N2  x 2	M3  x 2	P3  x 3	S15  x 6	E1  x 4
--	---	---	--	--





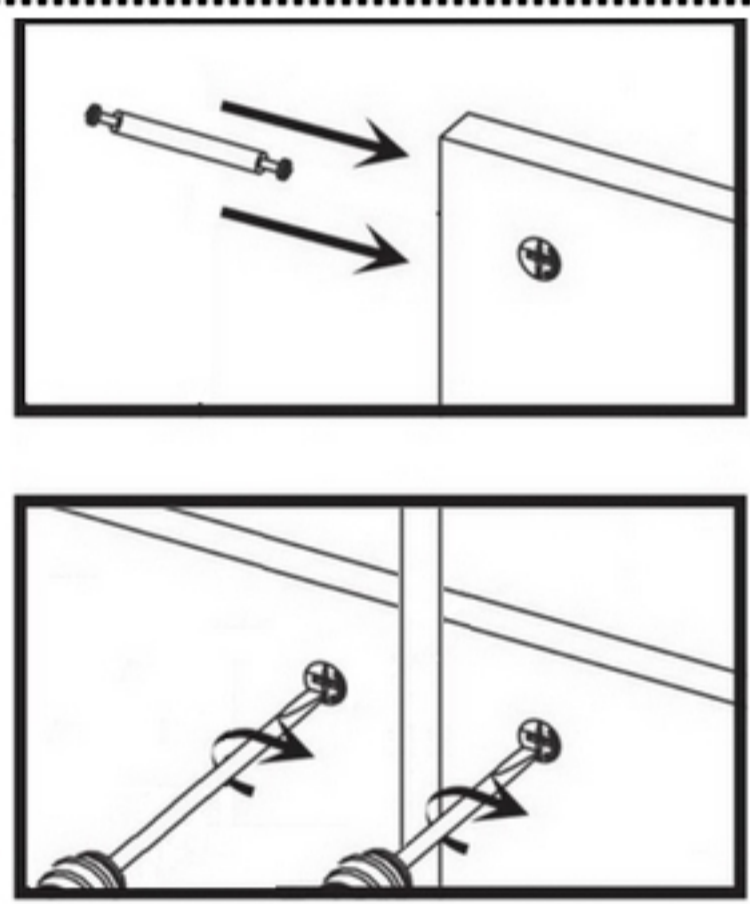
D2  x 2


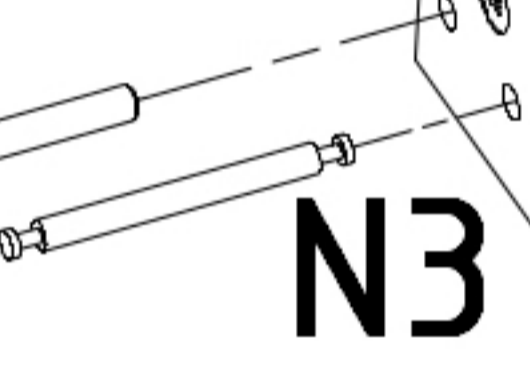


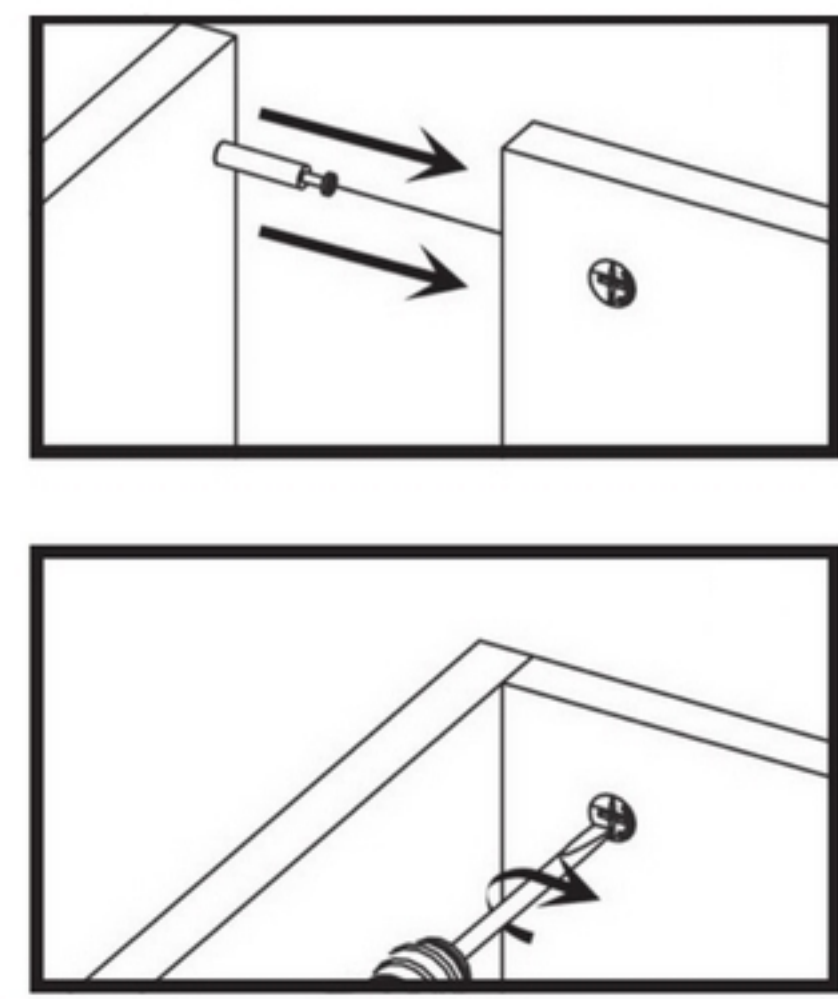
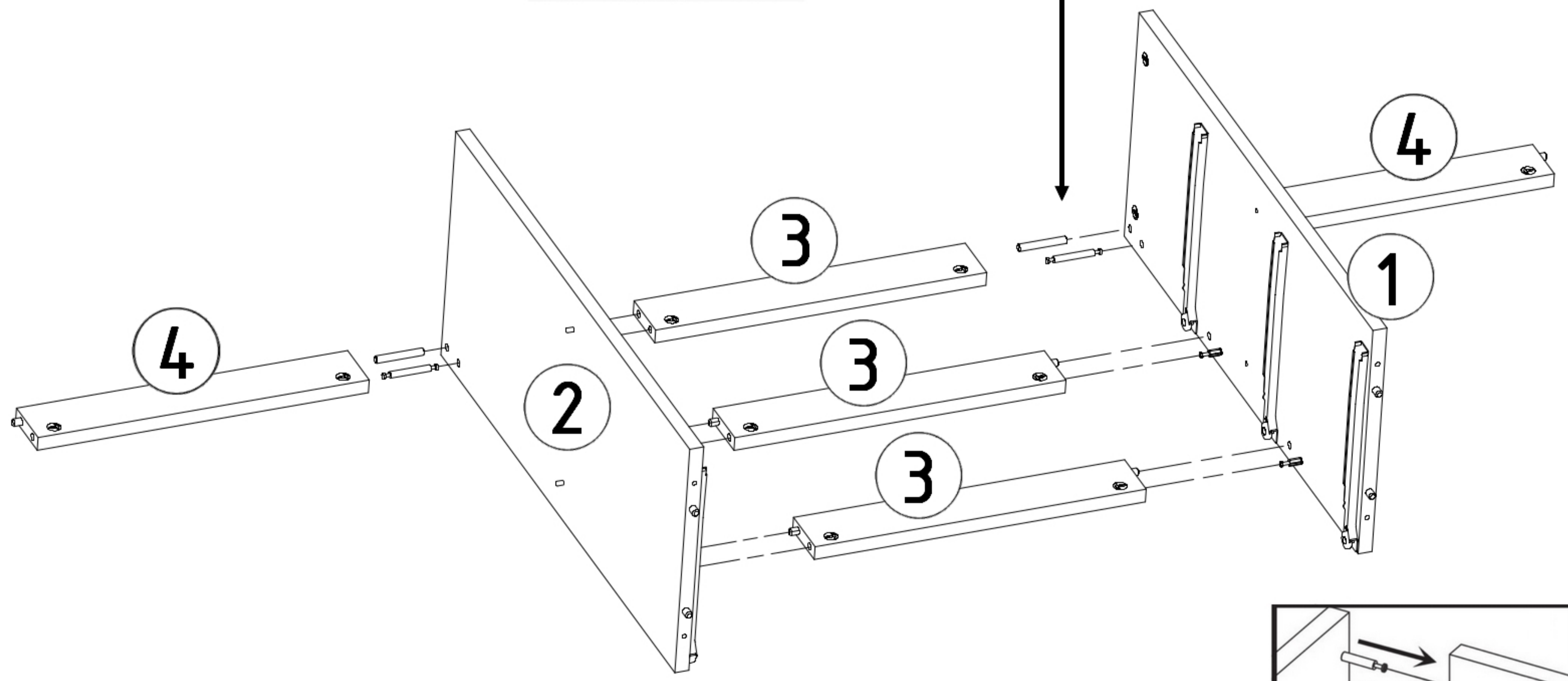
E1  x 6	M3  x 10
--	--





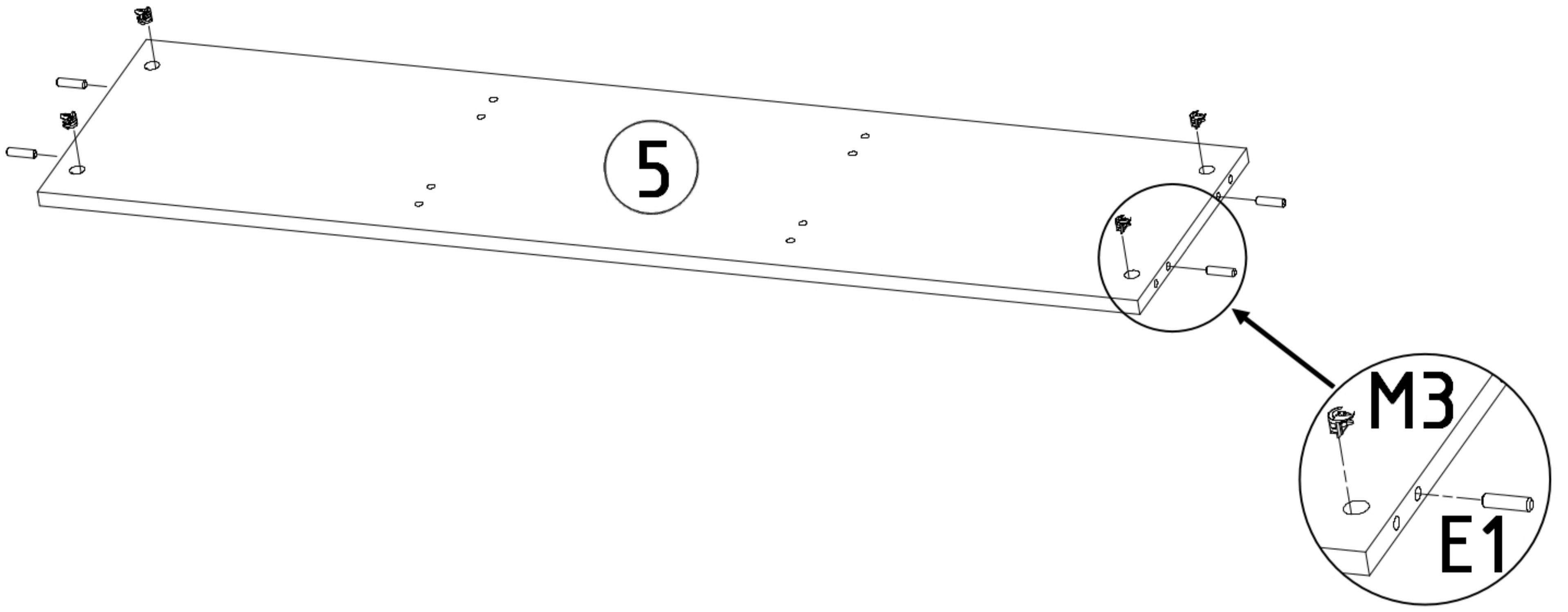
N3  x 2	E3  x 2
--	---


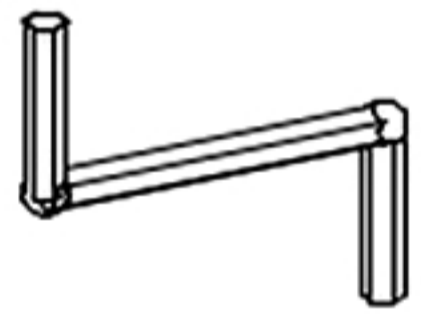


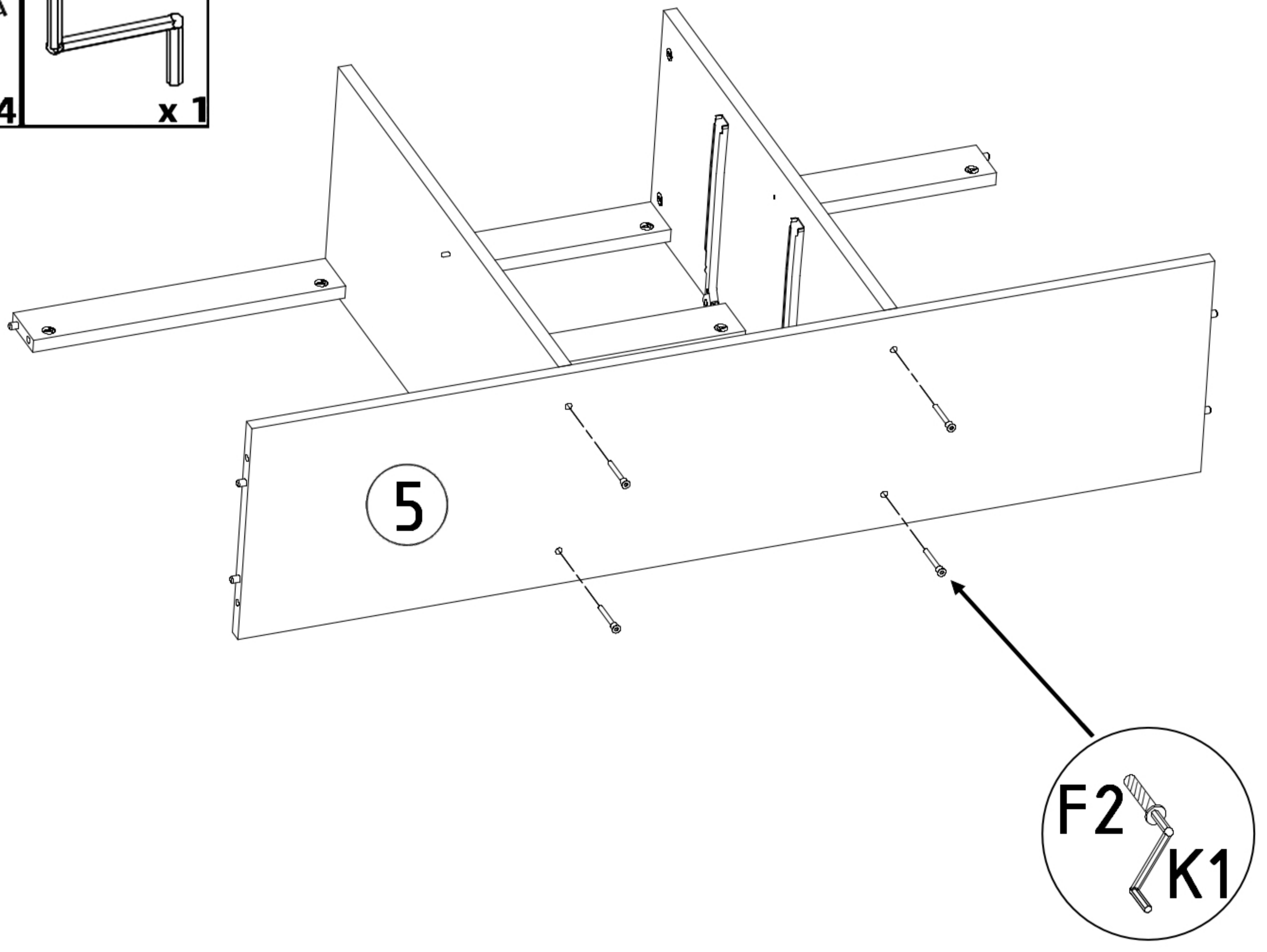
E3 	N3 
--	--








E1  x 4	M3  x 4
---	--

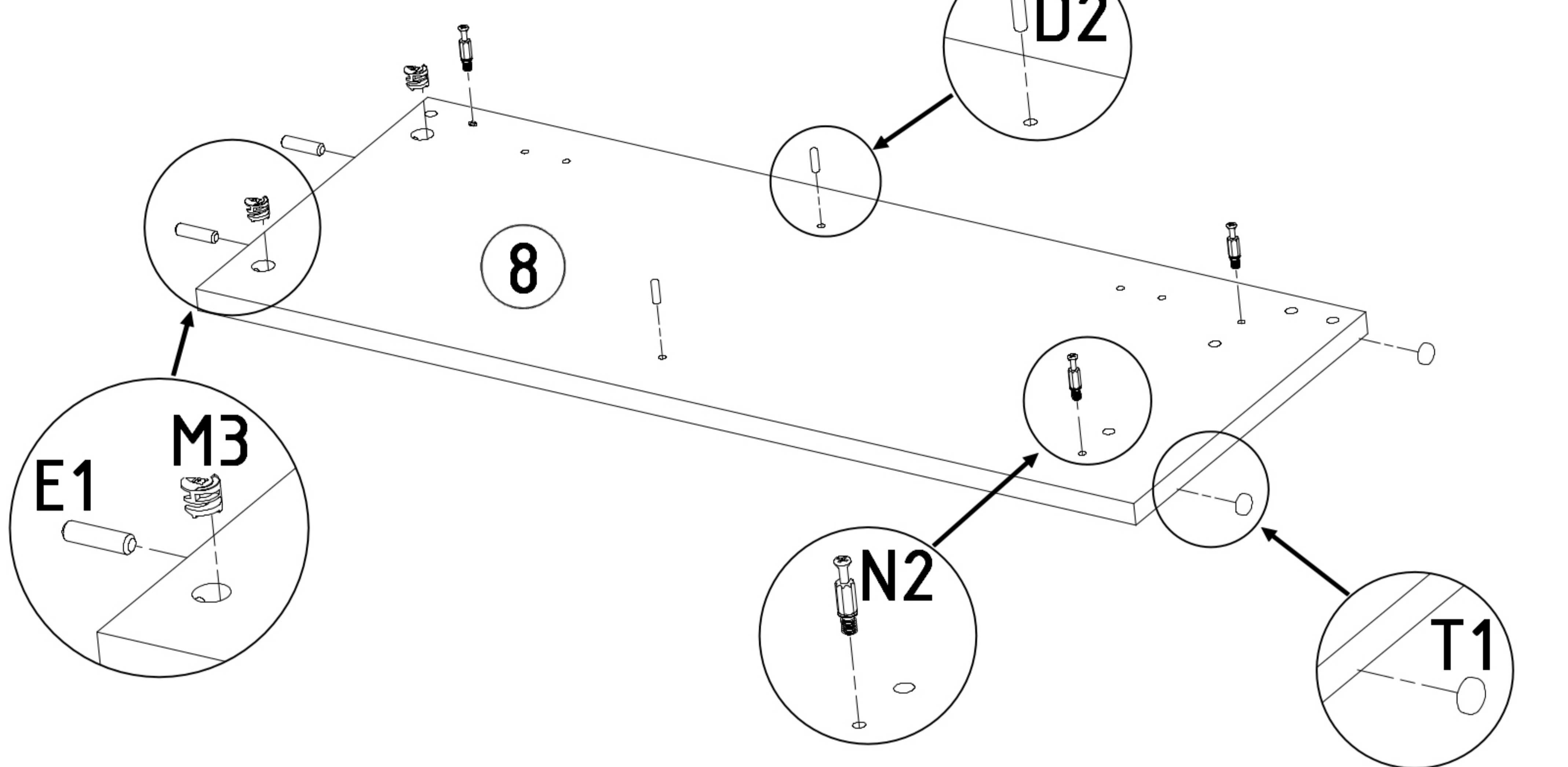




F2  x 4	K1  x 1
---	--

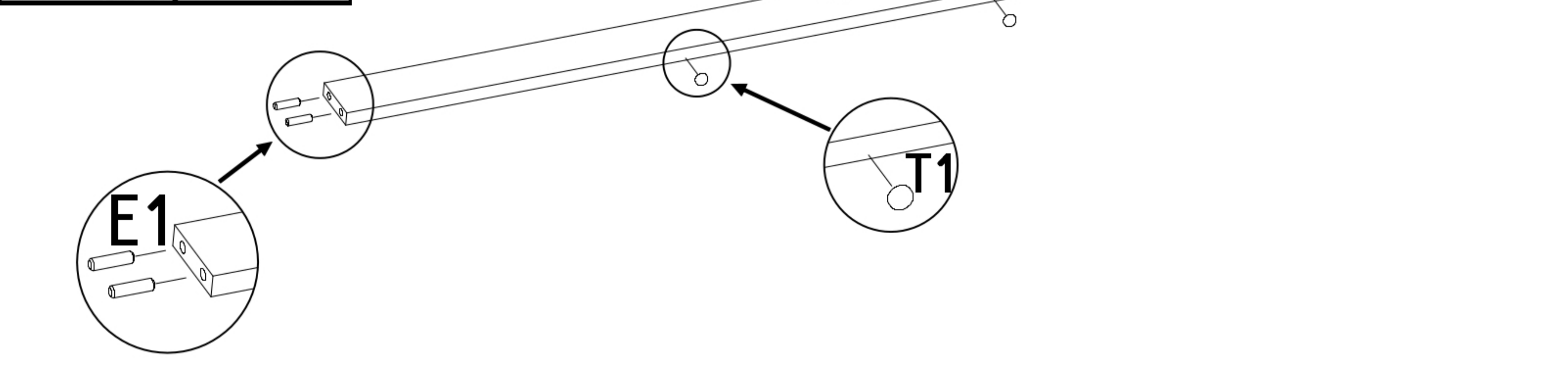






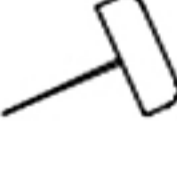
6

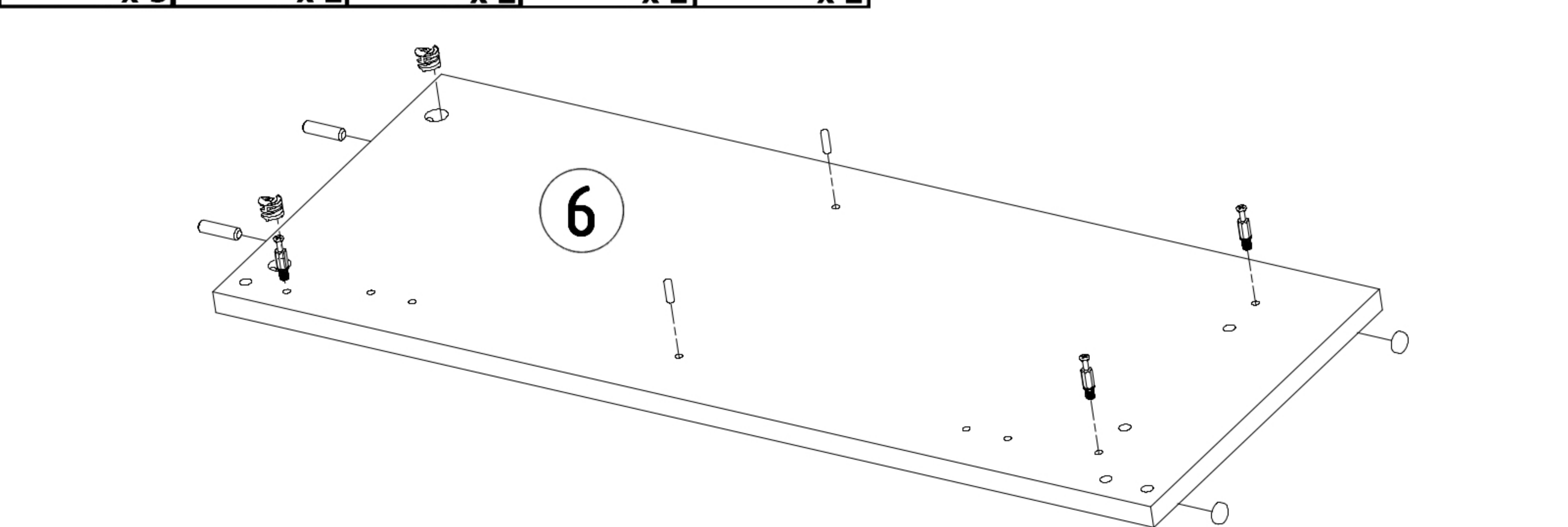
N2  x 3	M3  x 2	E1  x 2	D2  x 2	T1  x 2
--	---	---	---	--

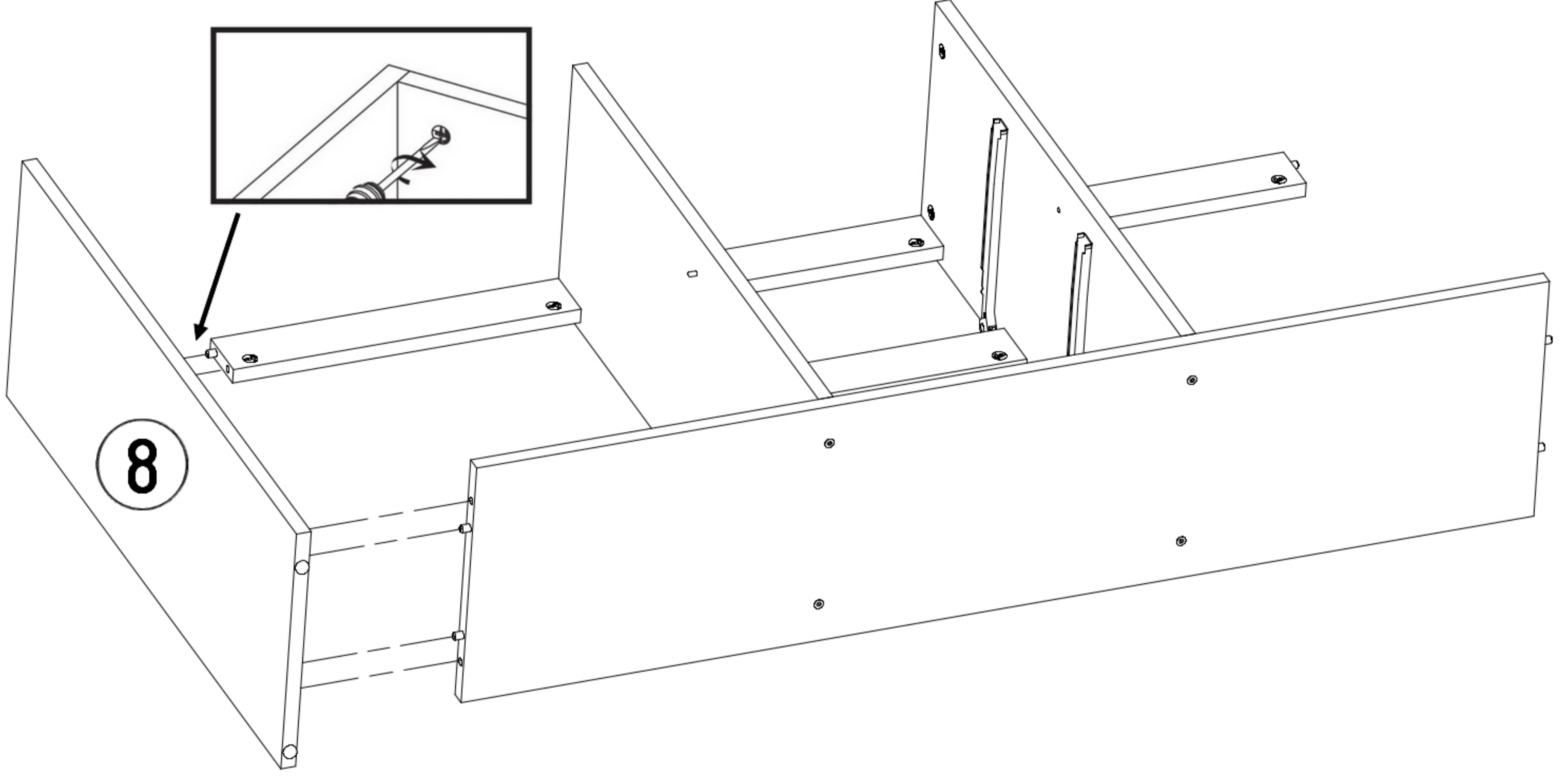
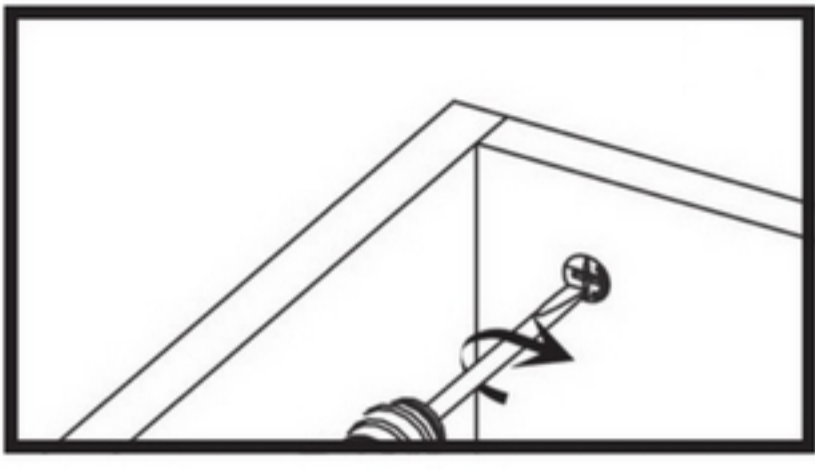
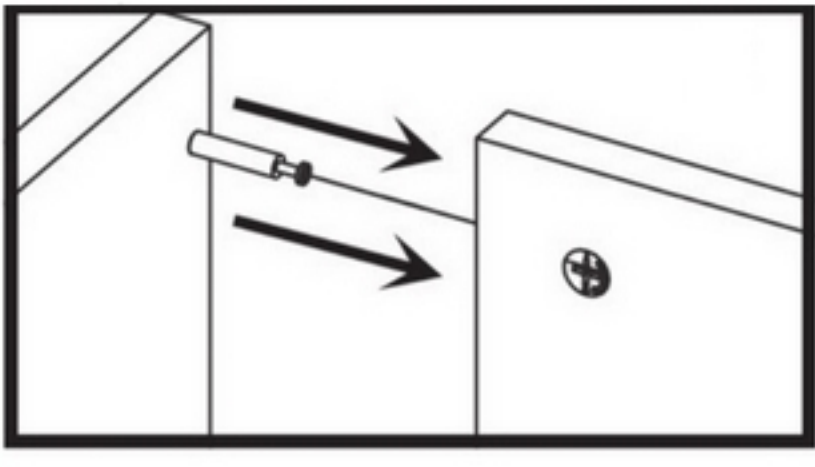


T1  x 2	E1  x 4
--	---

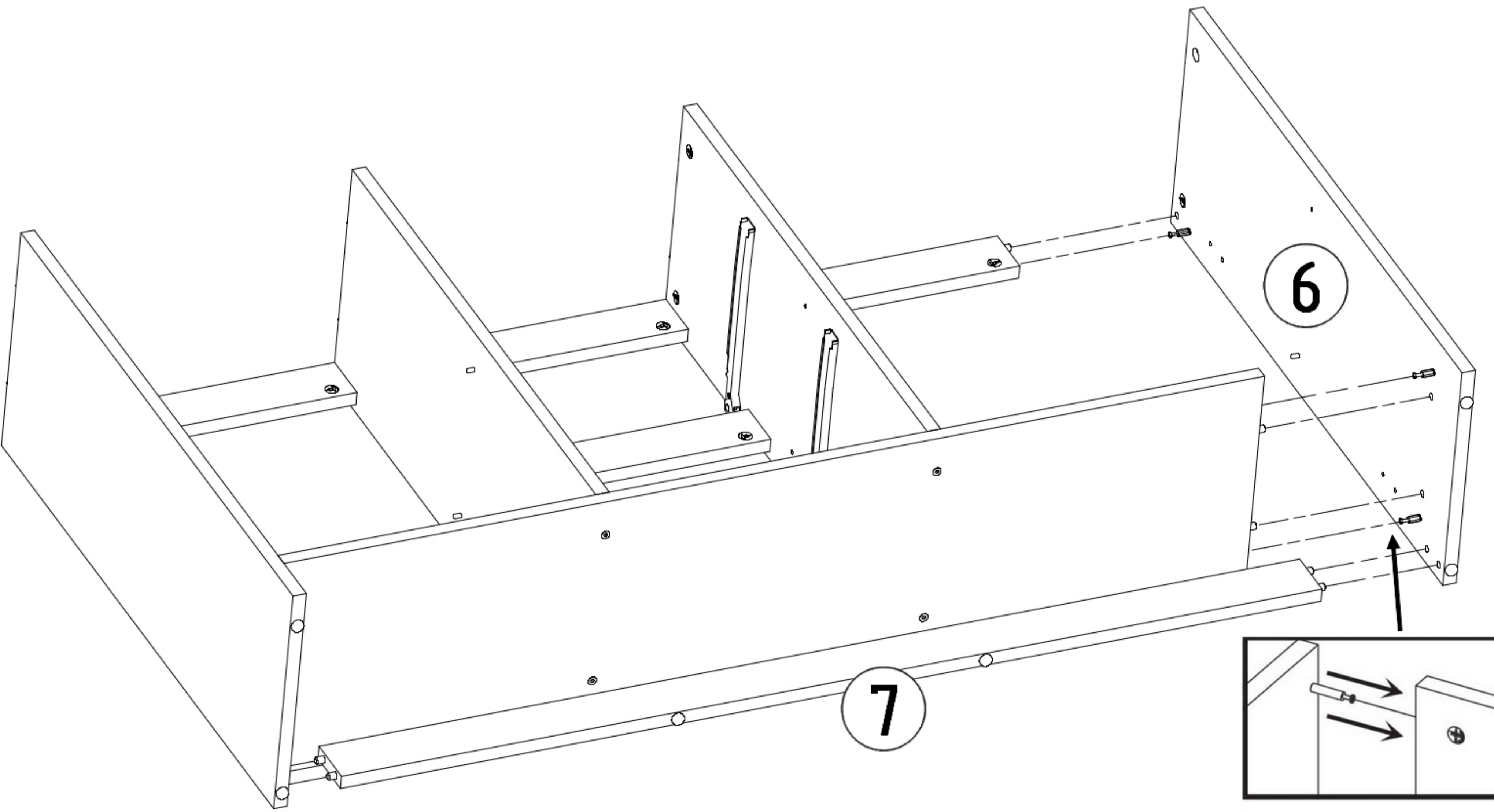


N2  x 3	M3  x 2	E1  x 2	D2  x 2	T1  x 2
--	---	---	---	--



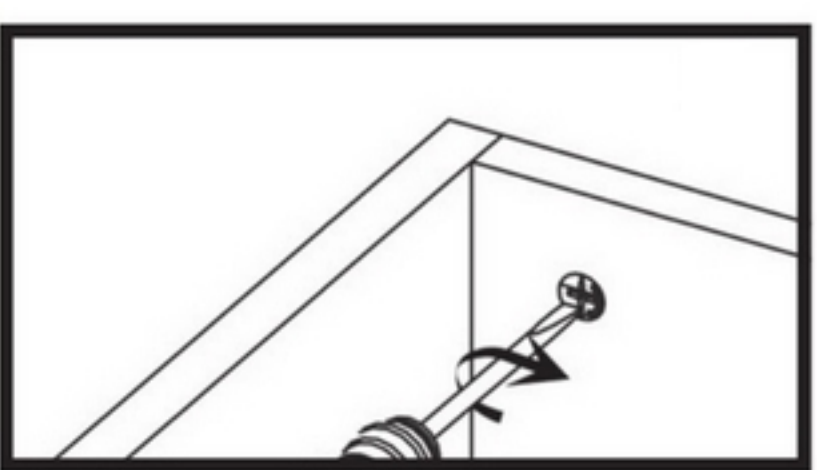
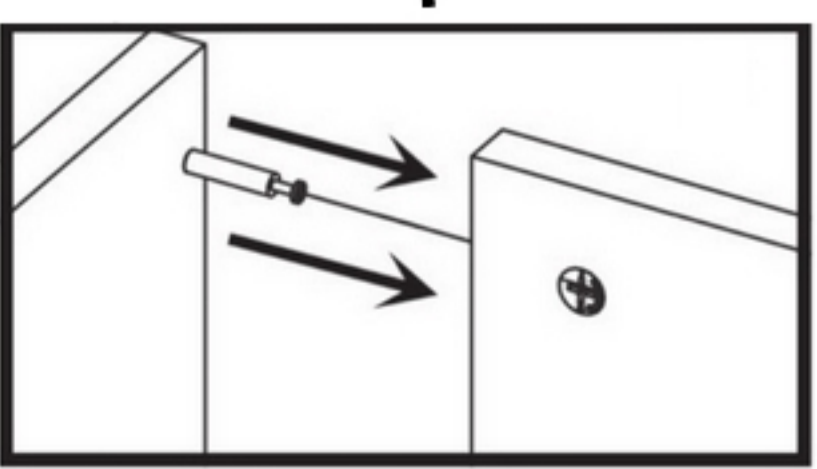


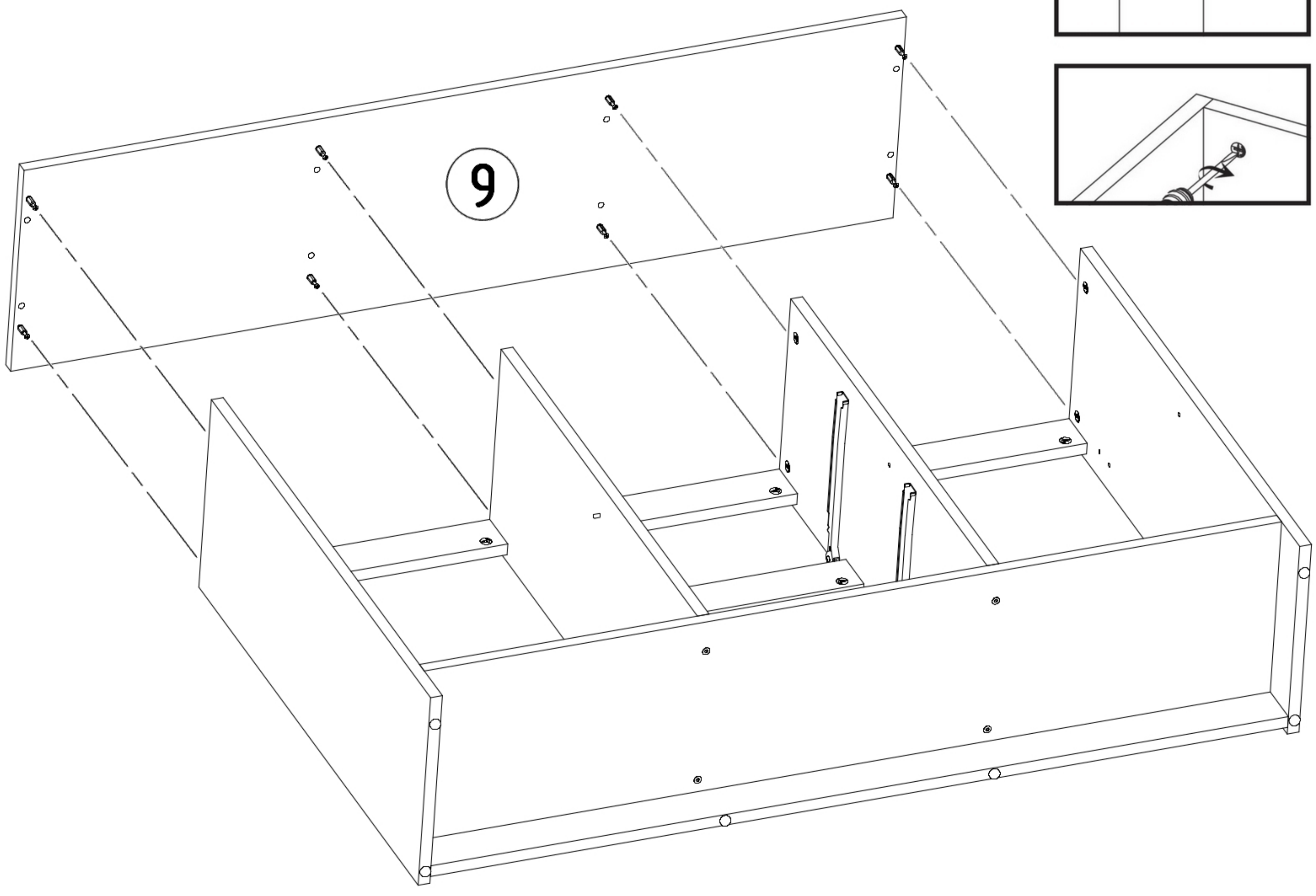
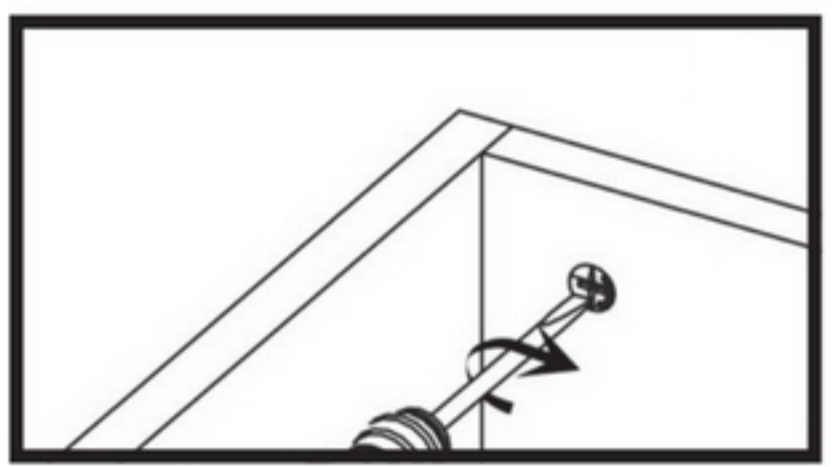
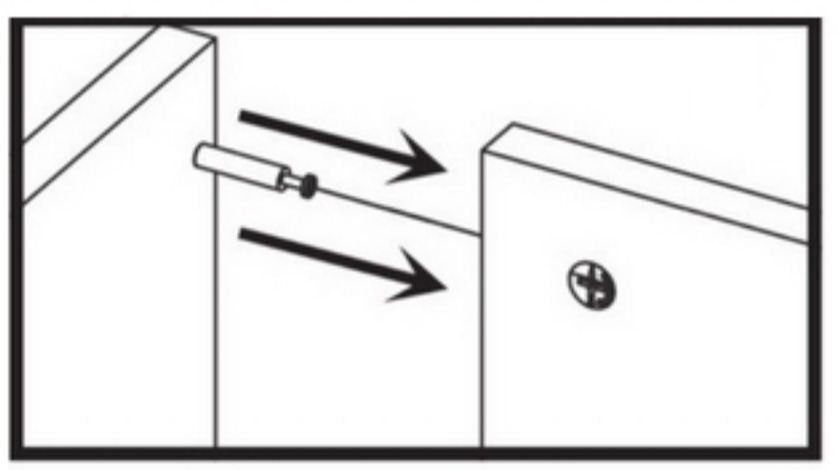
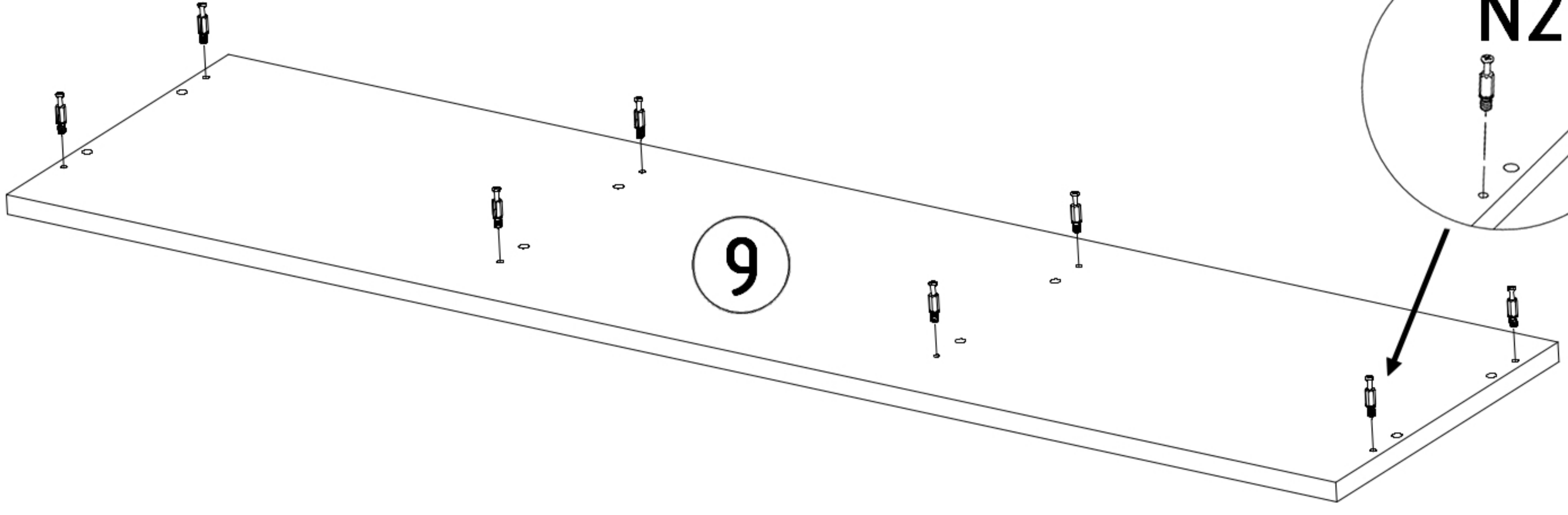
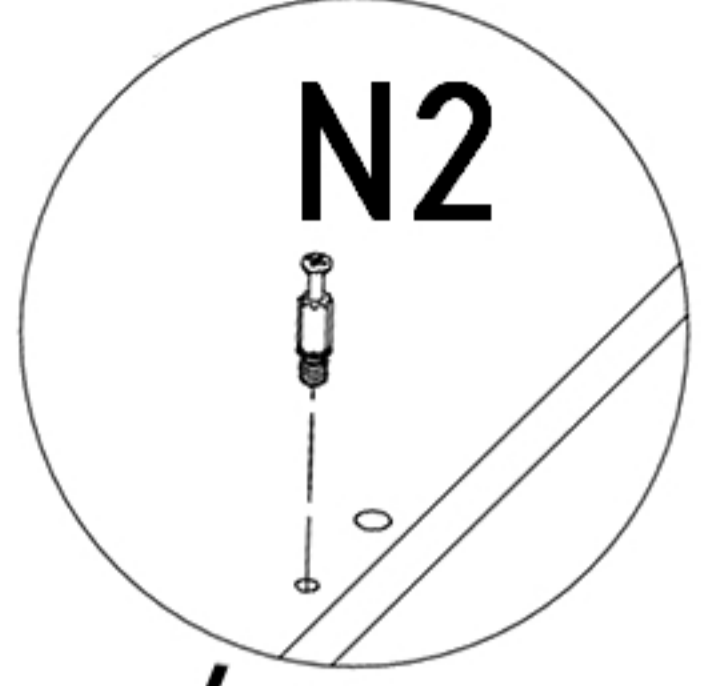
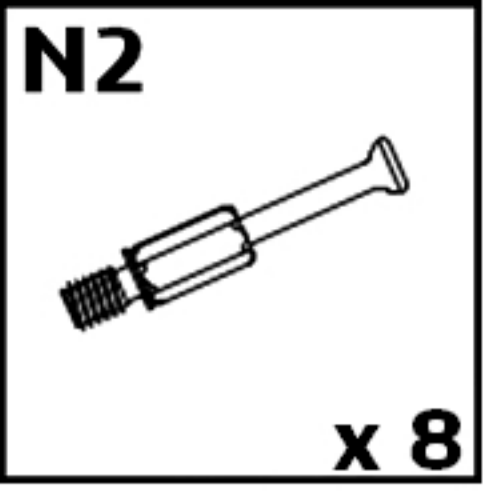
8








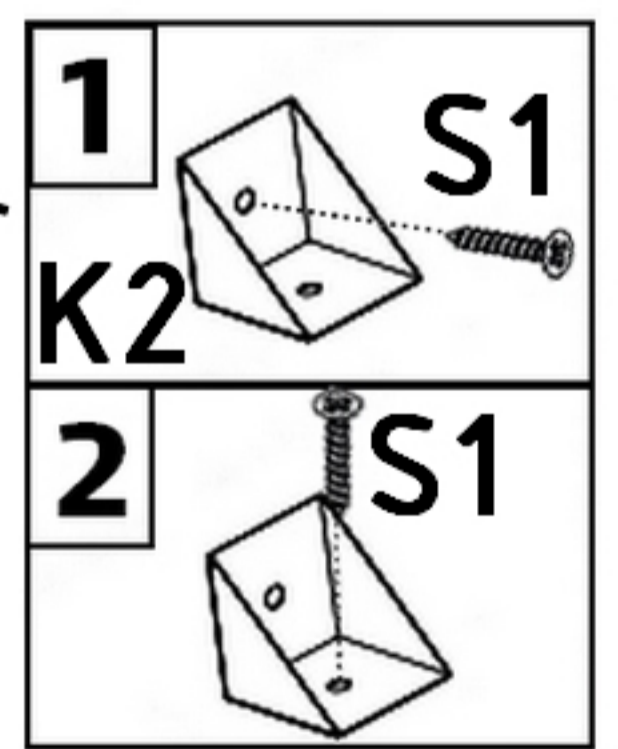
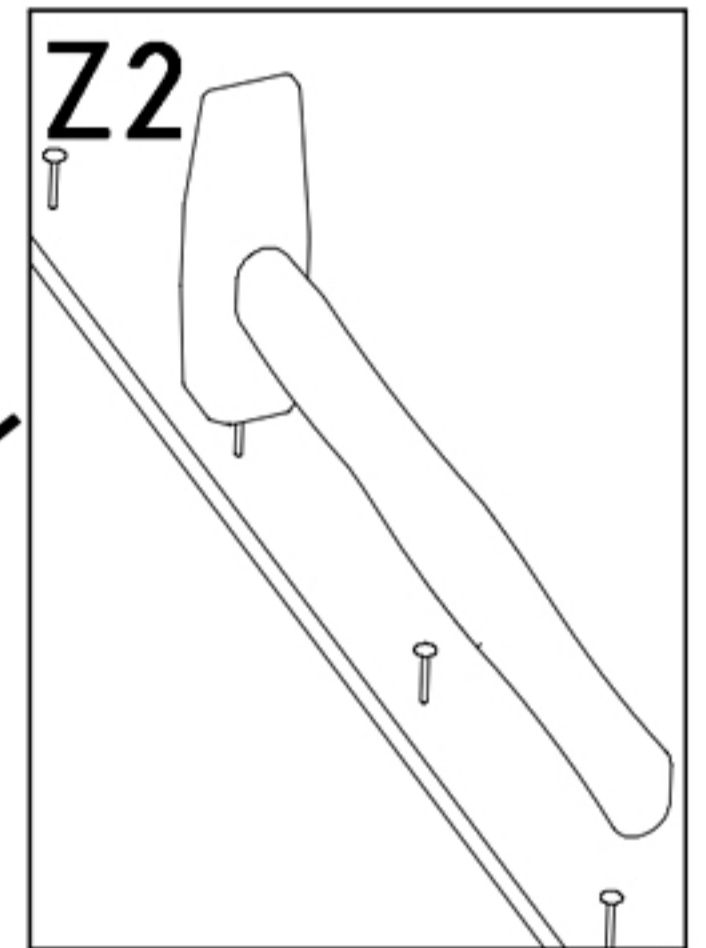
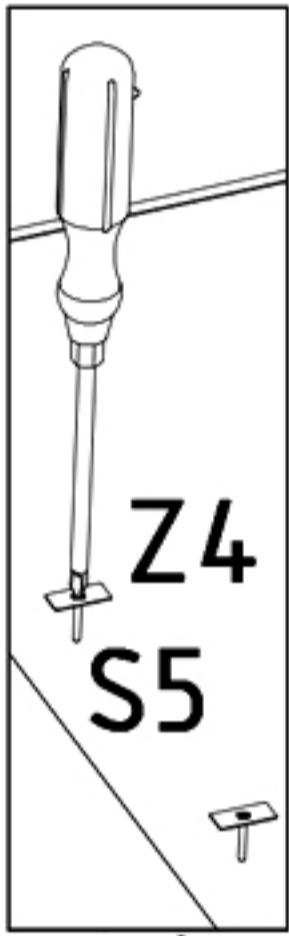
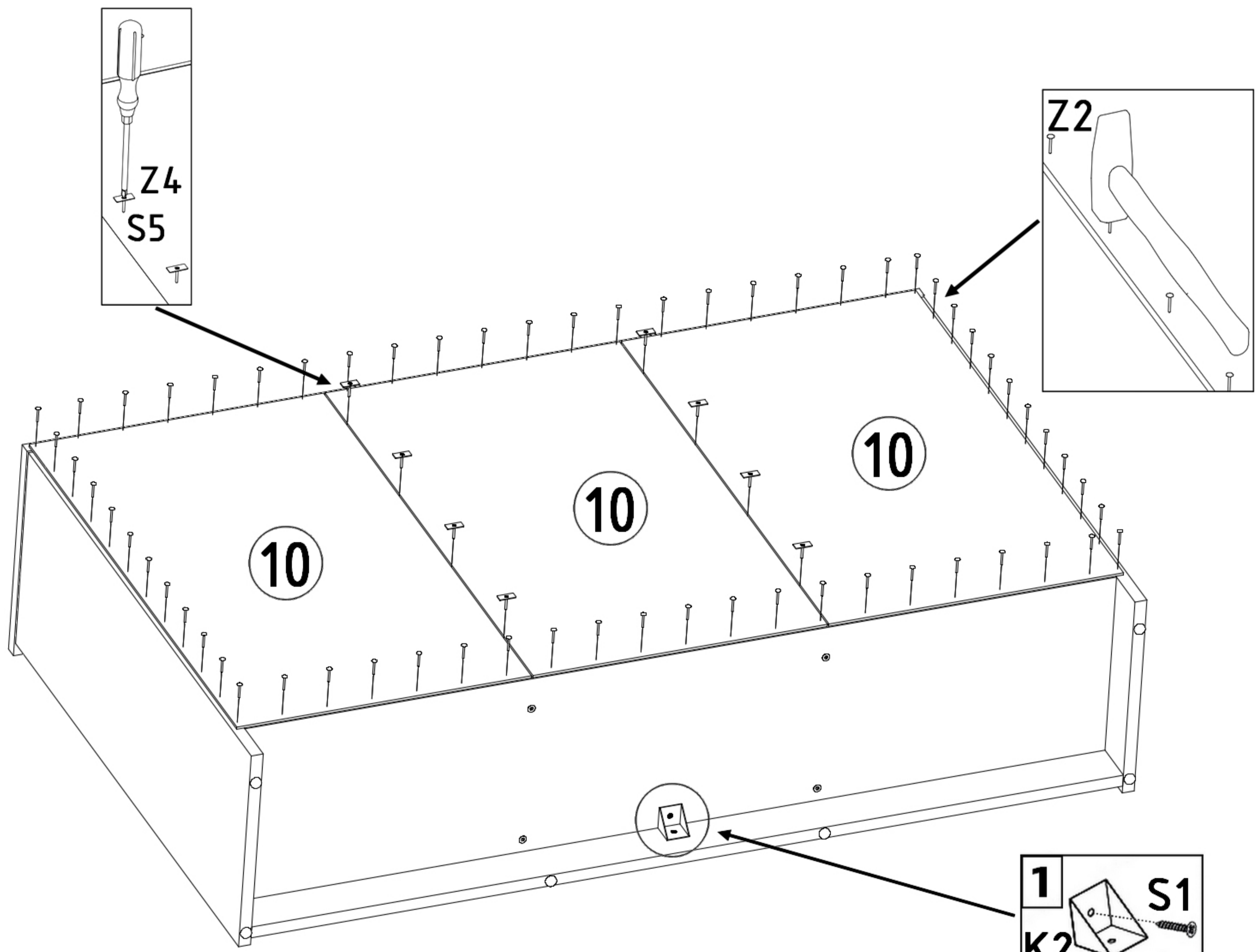
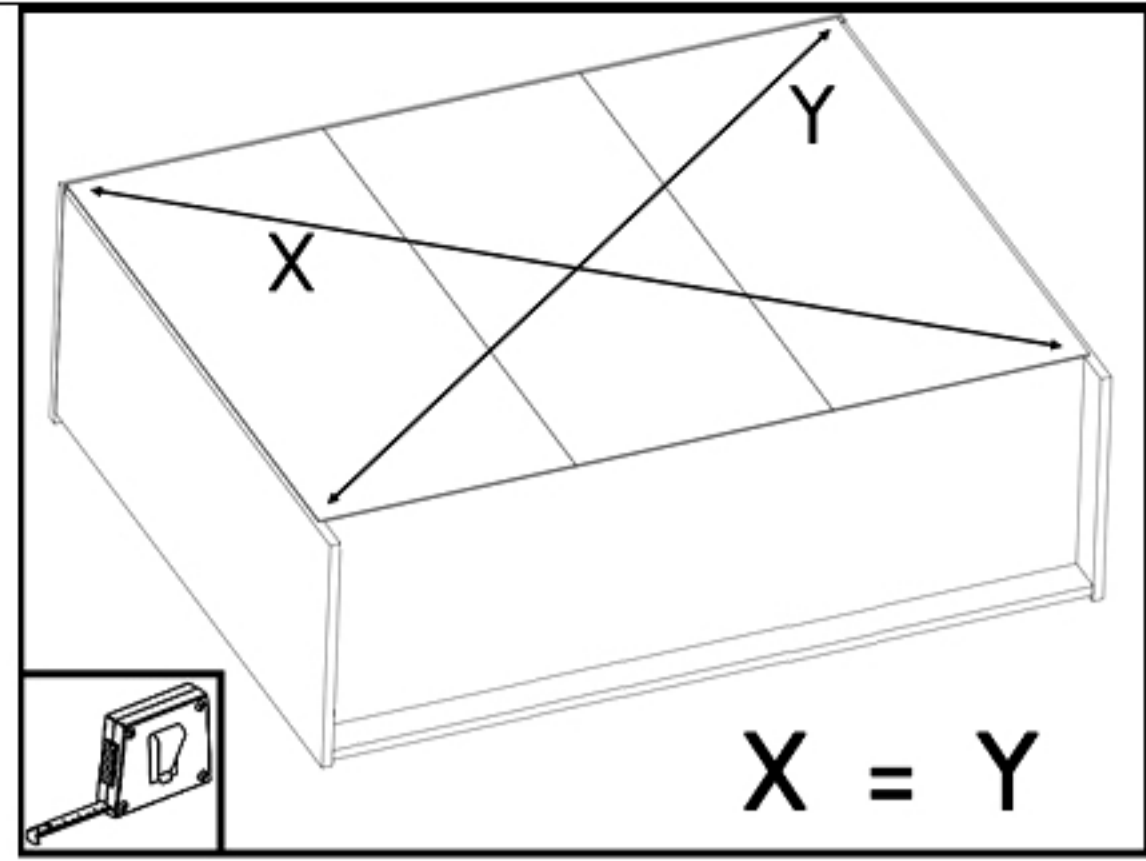
6

7

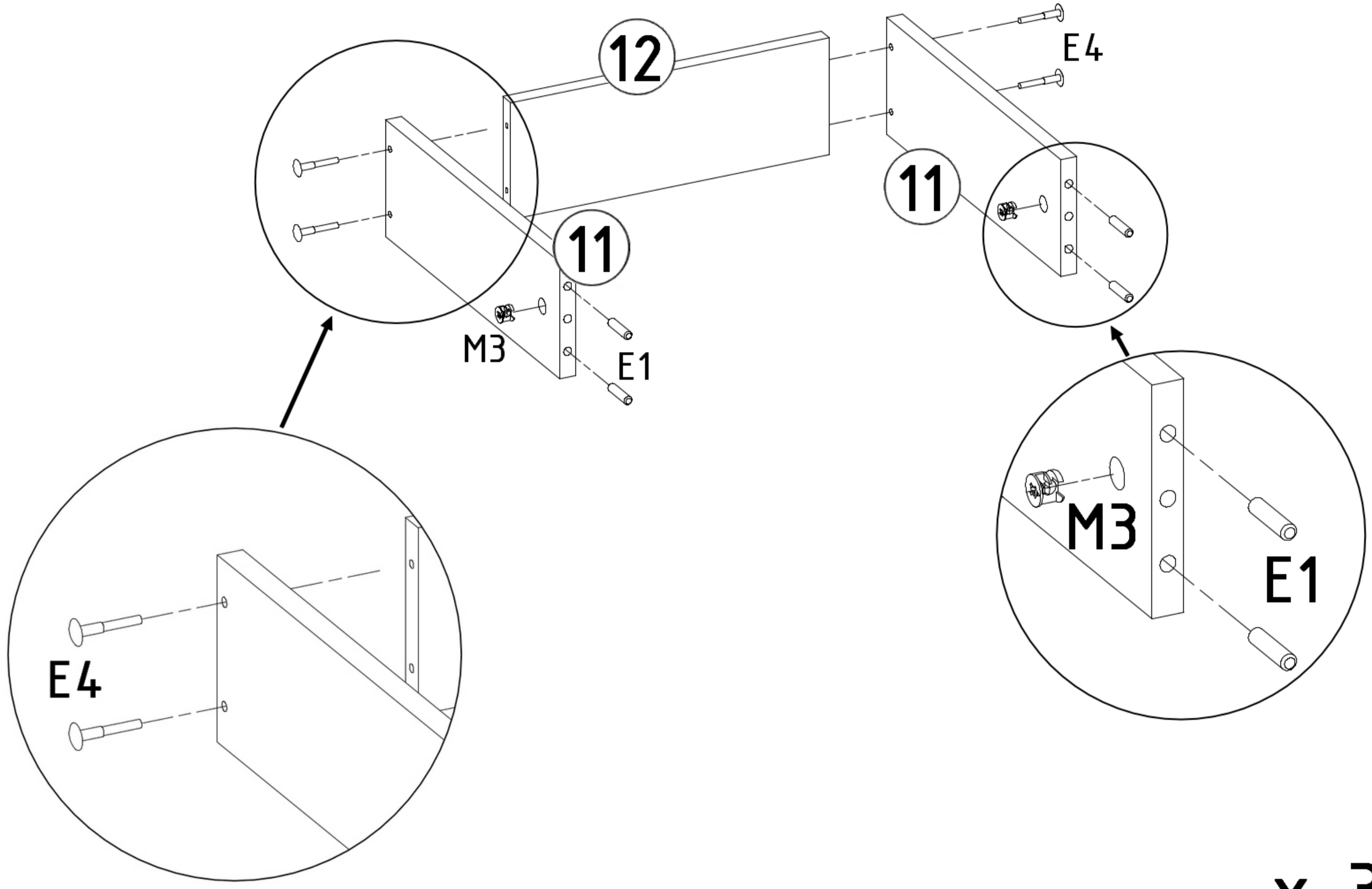





S5  2,5x20 x 8	Z4  x 8	Z2  x 55	S1  3,5x16 x 2	K2  x 1
--	---	--	--	--

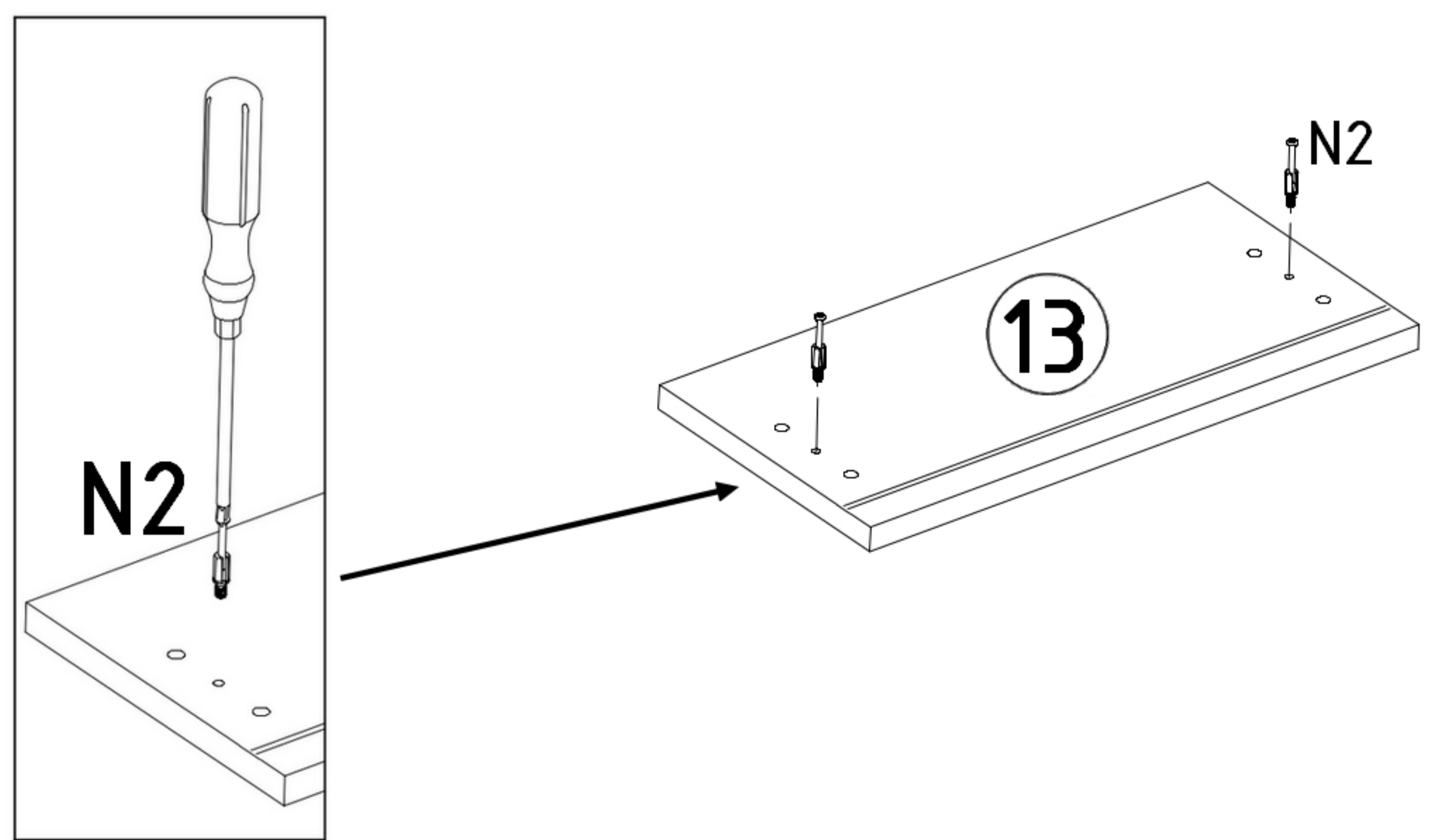


E1  x 12	M3  x 6	E4  x 12
---	---	--

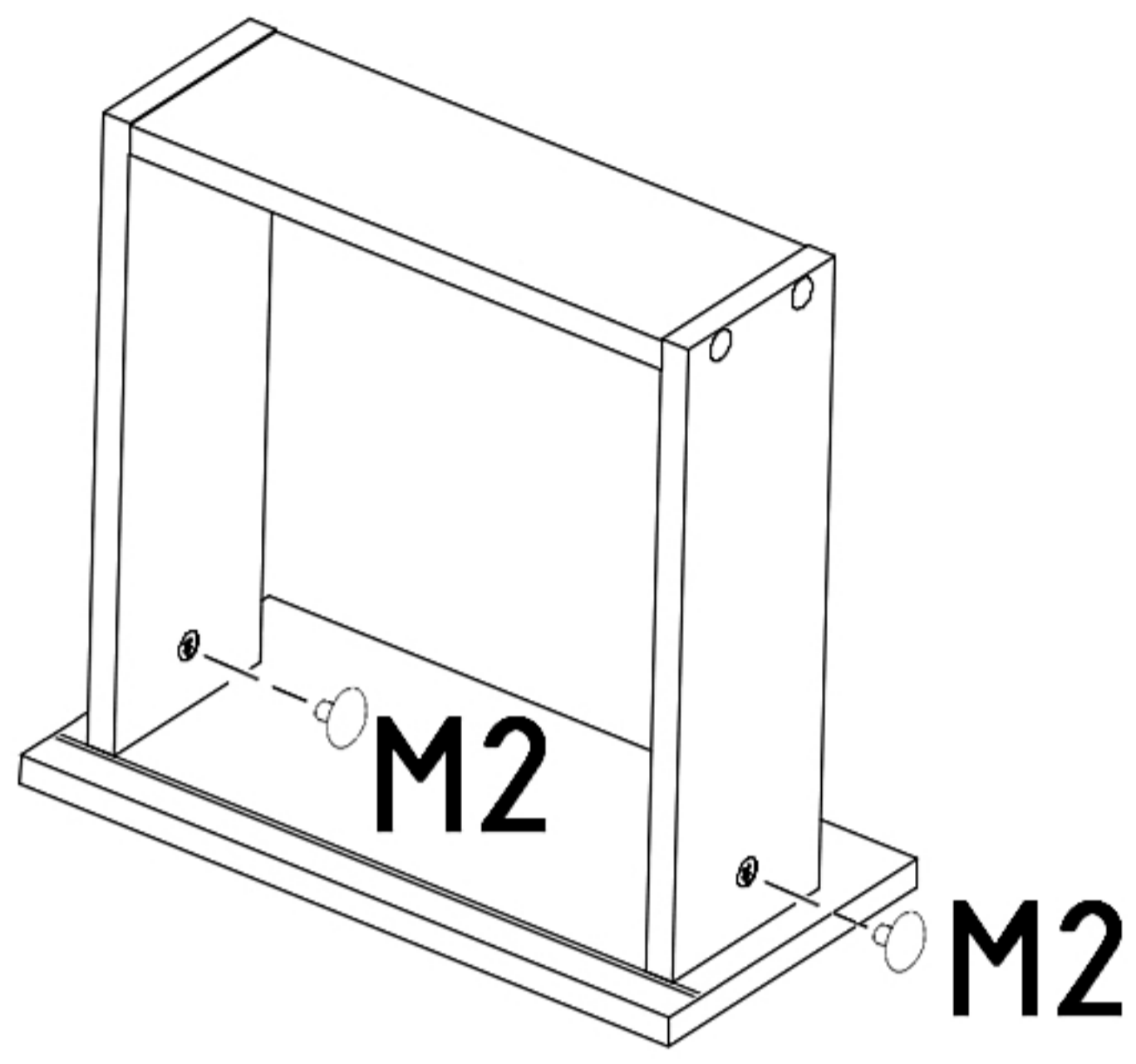
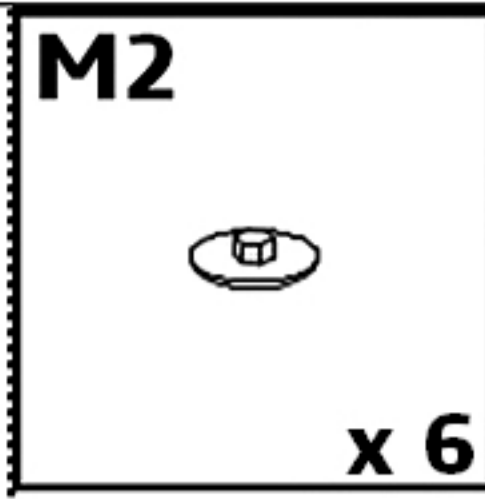
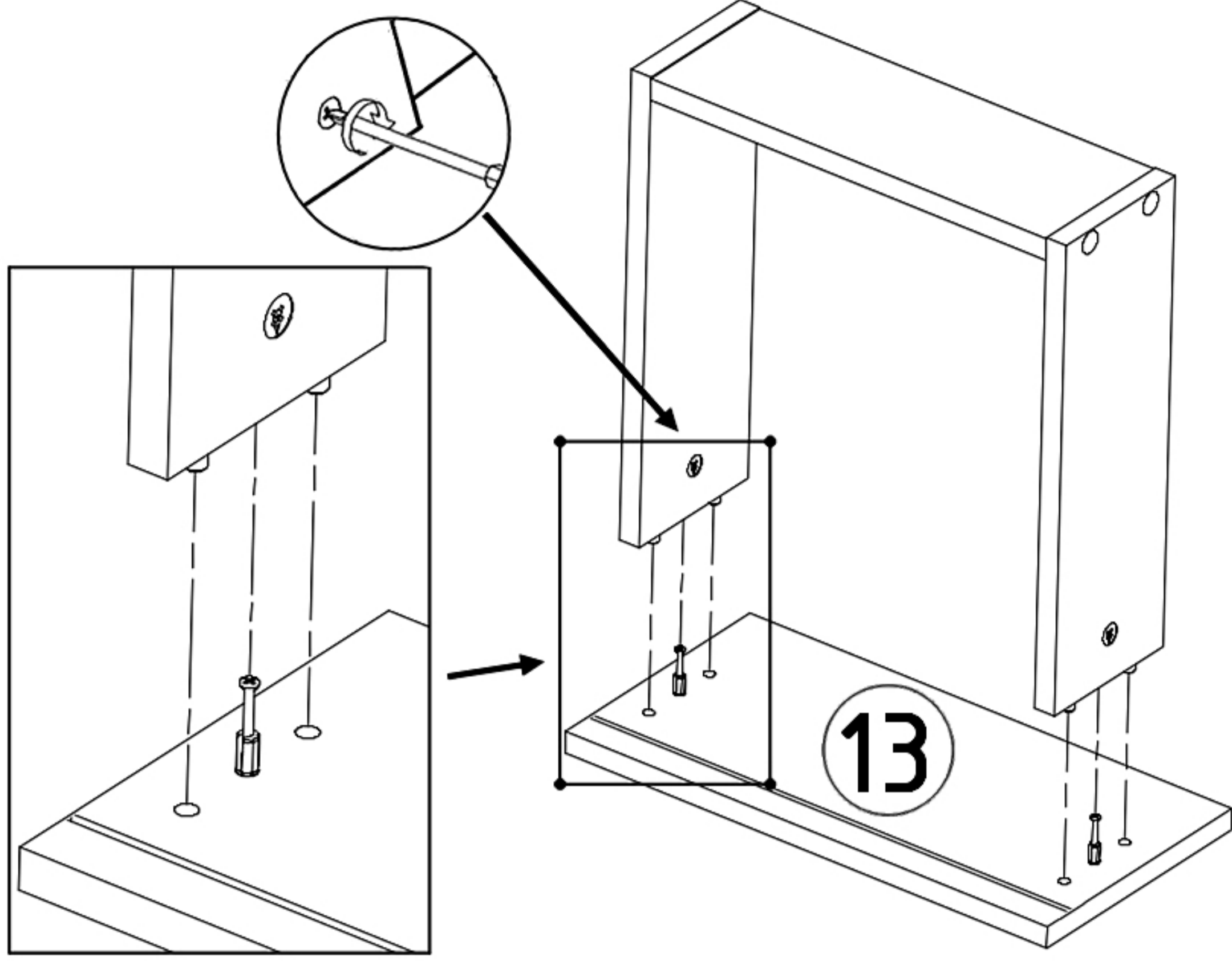


x 3

N2  x 6
--

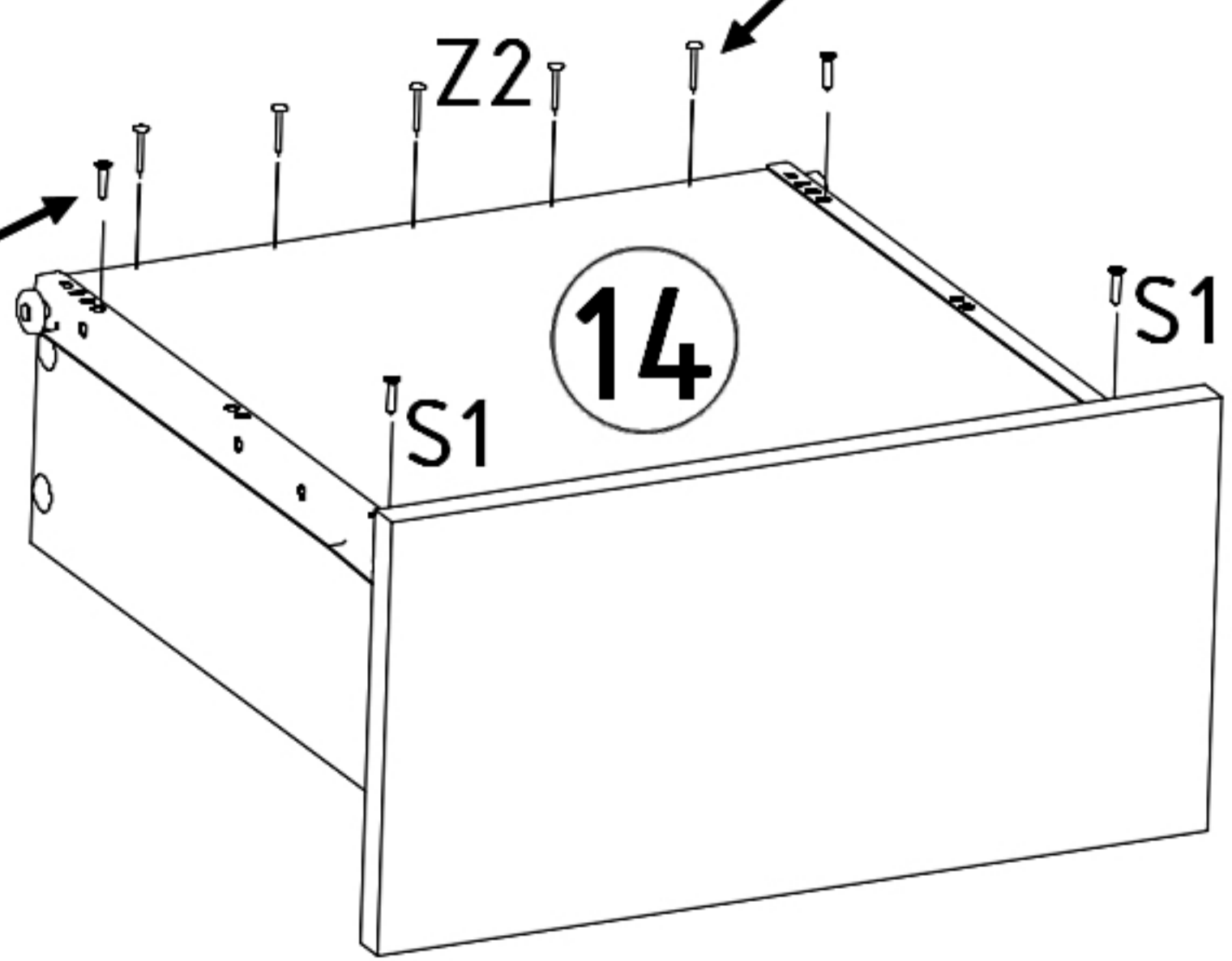
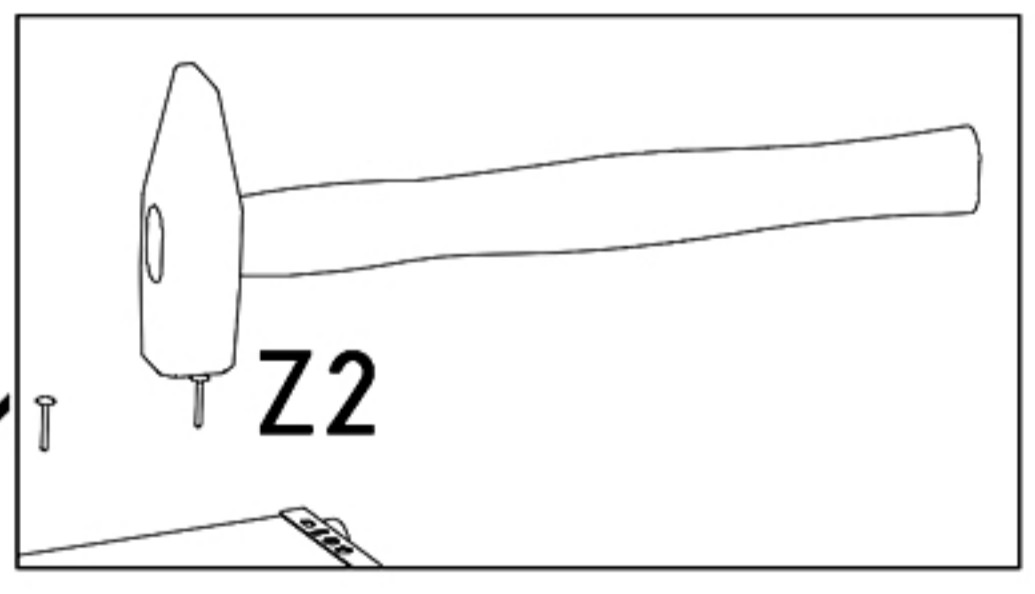
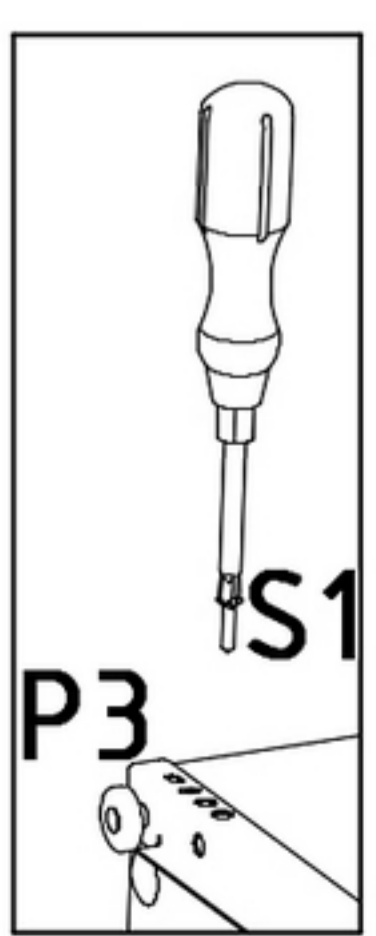
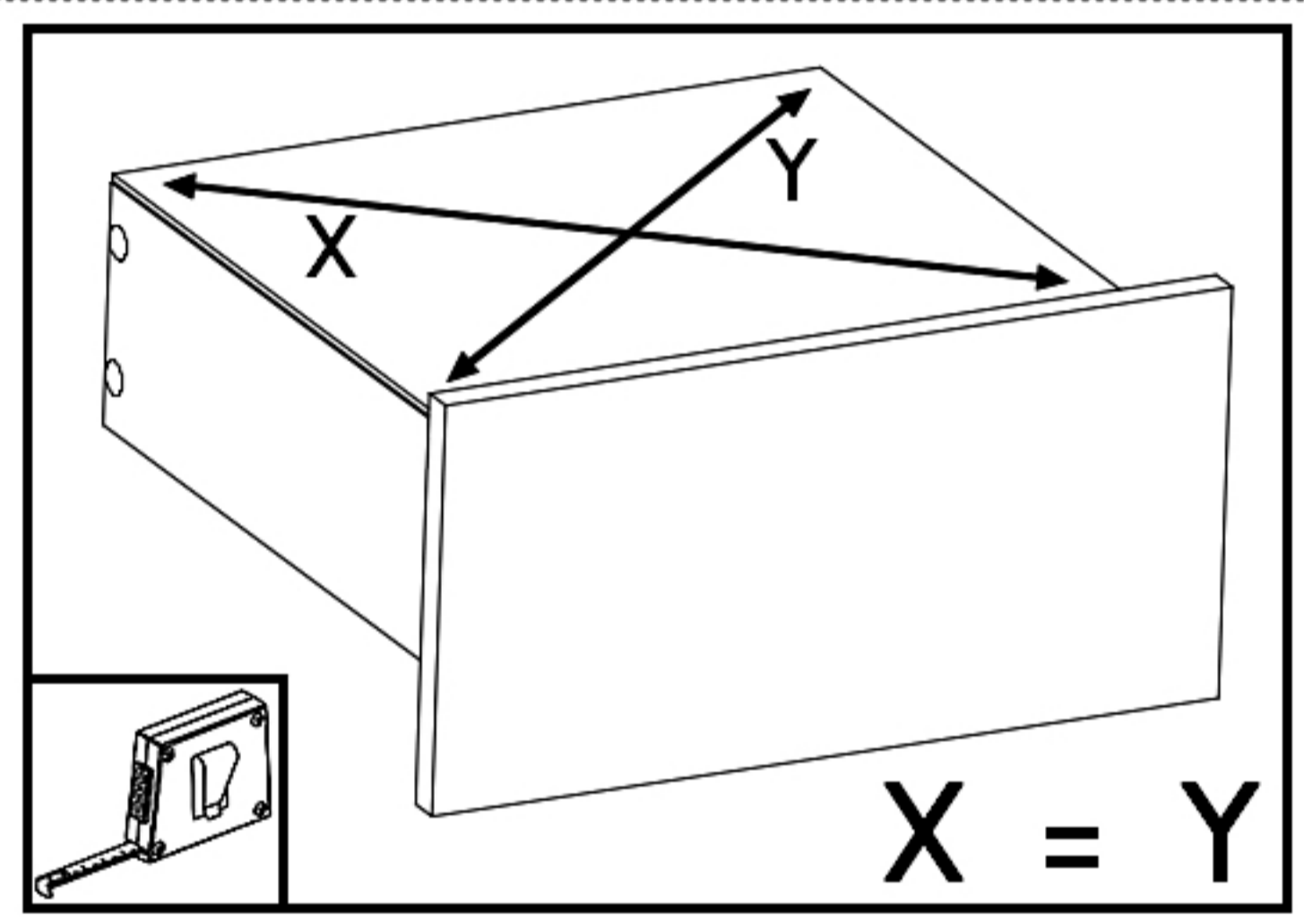
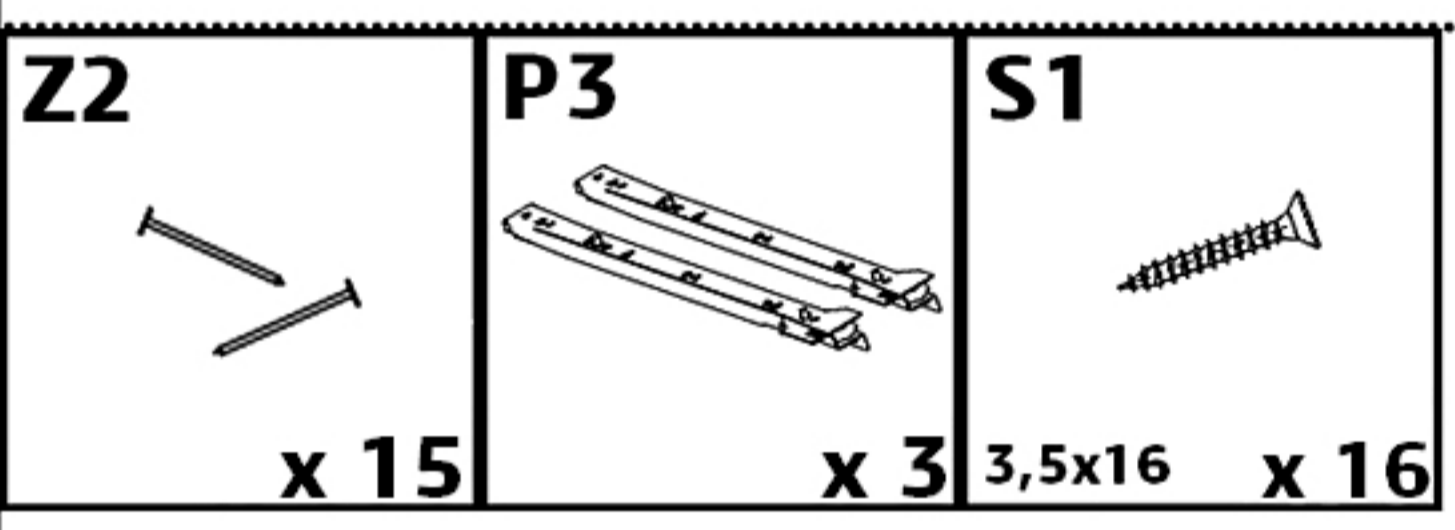


x 3


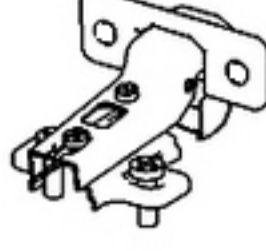


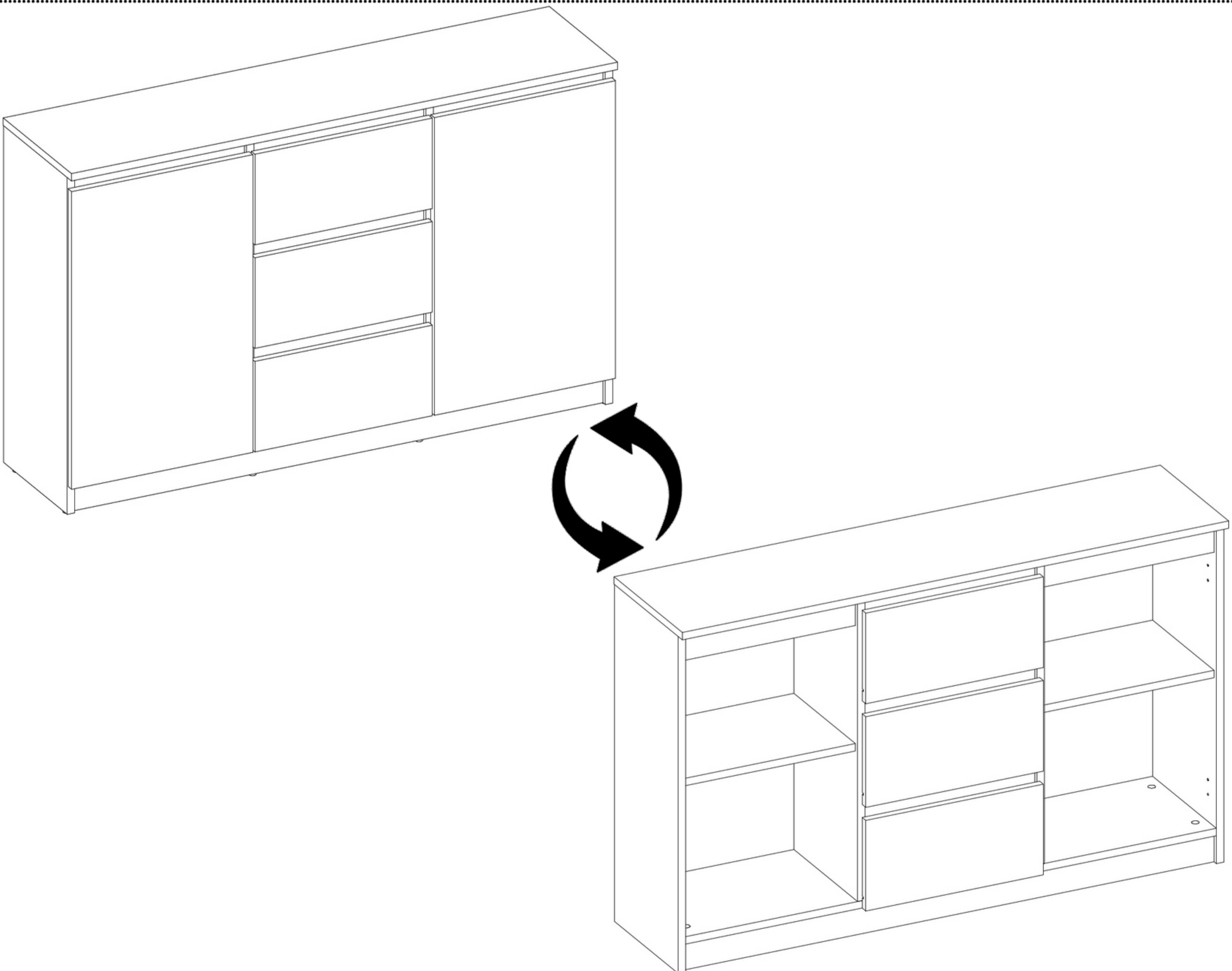
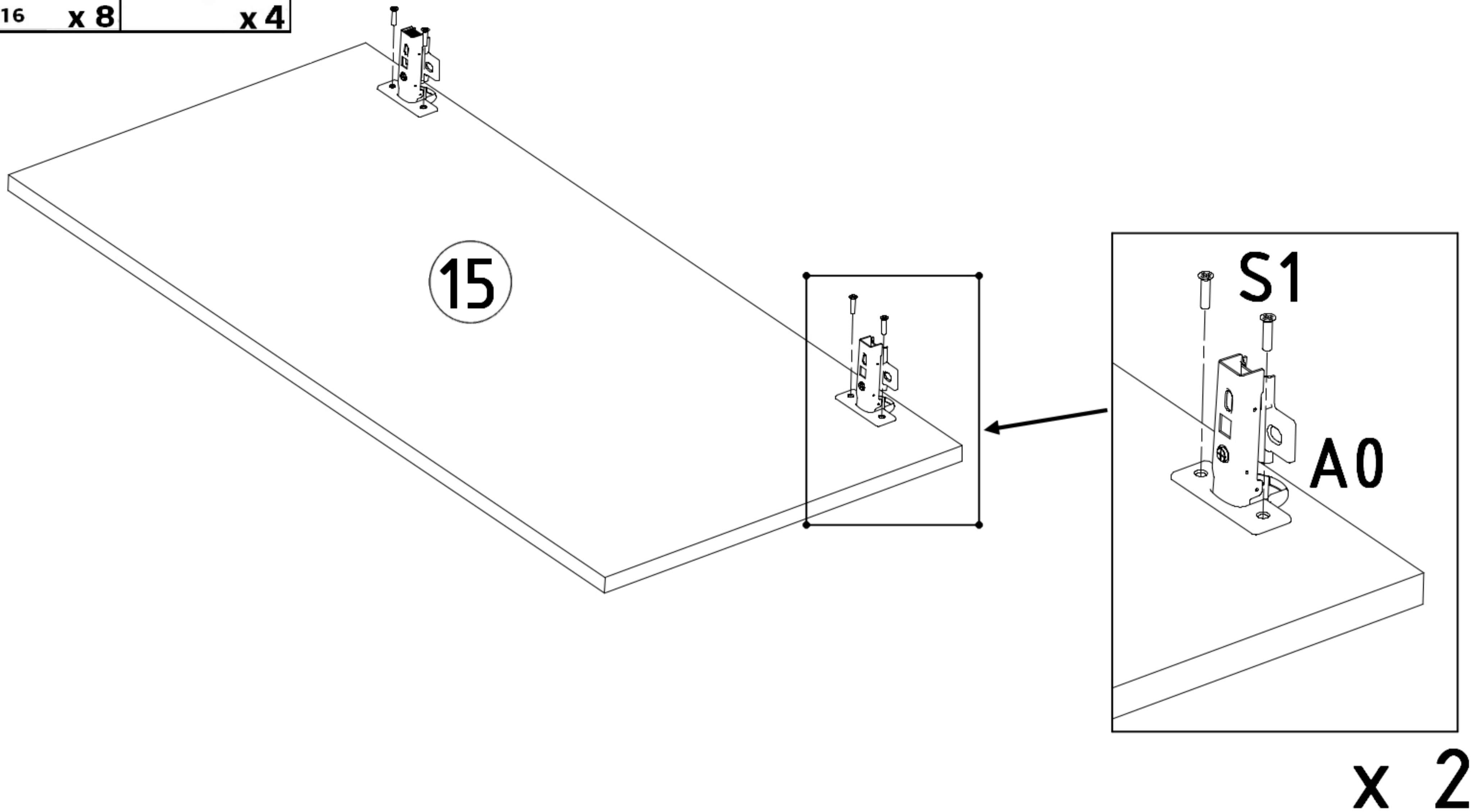
x 3

x 3

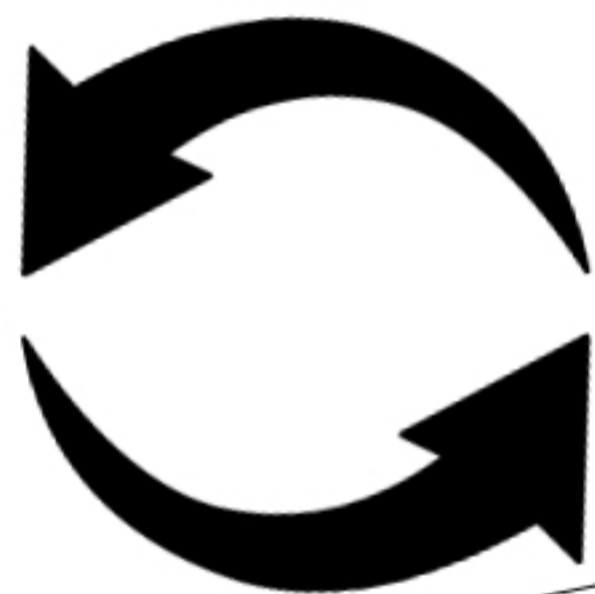
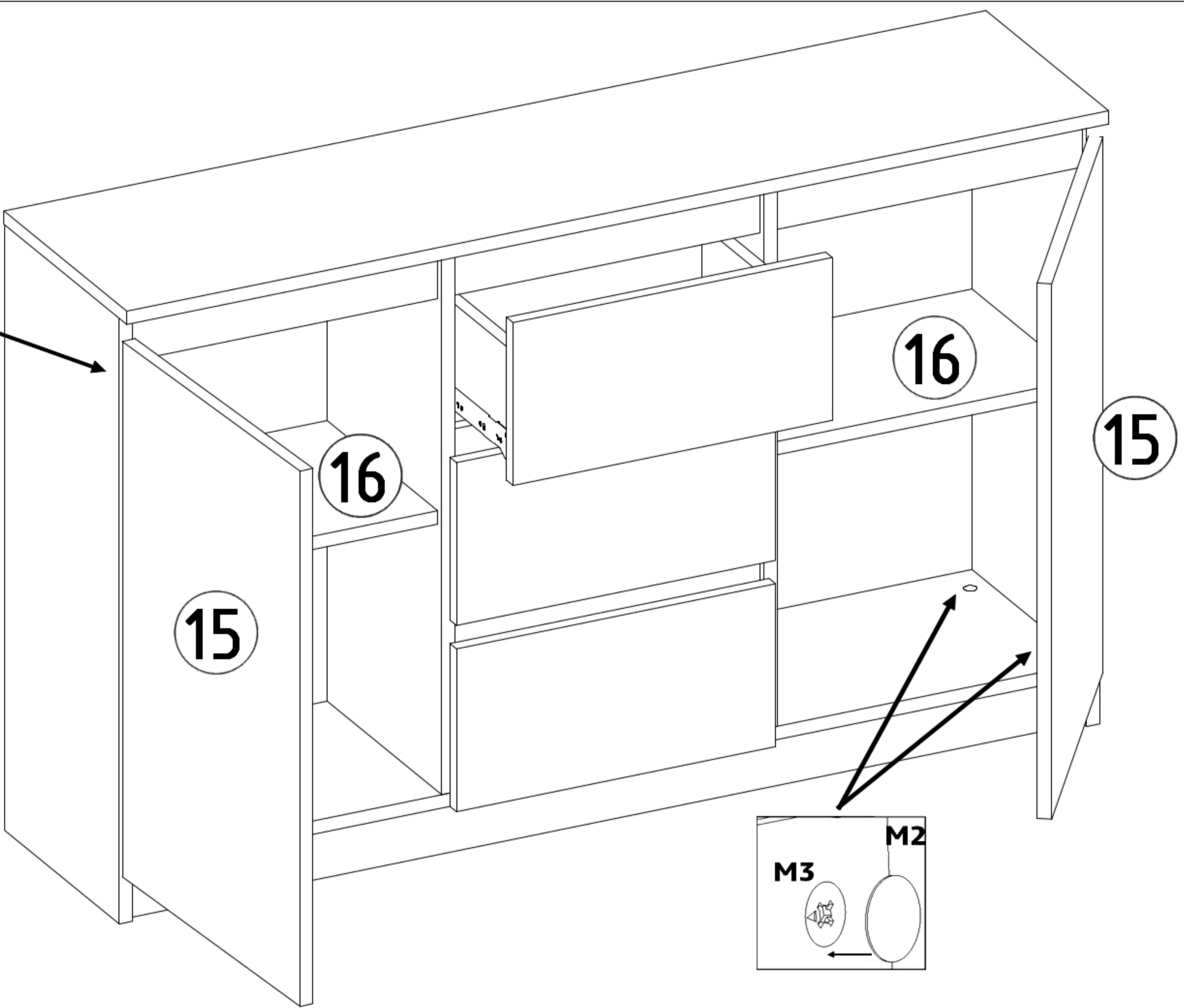
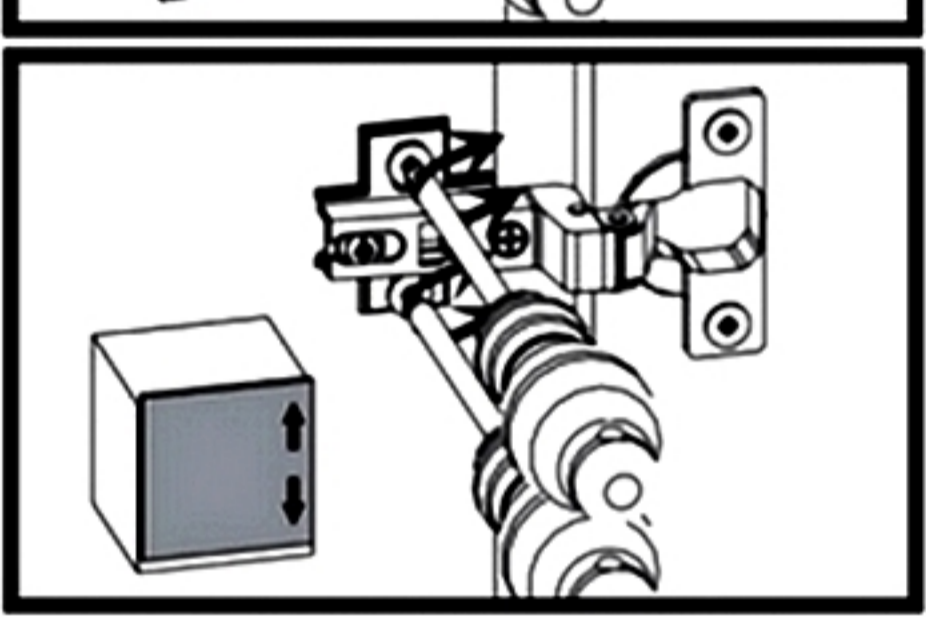
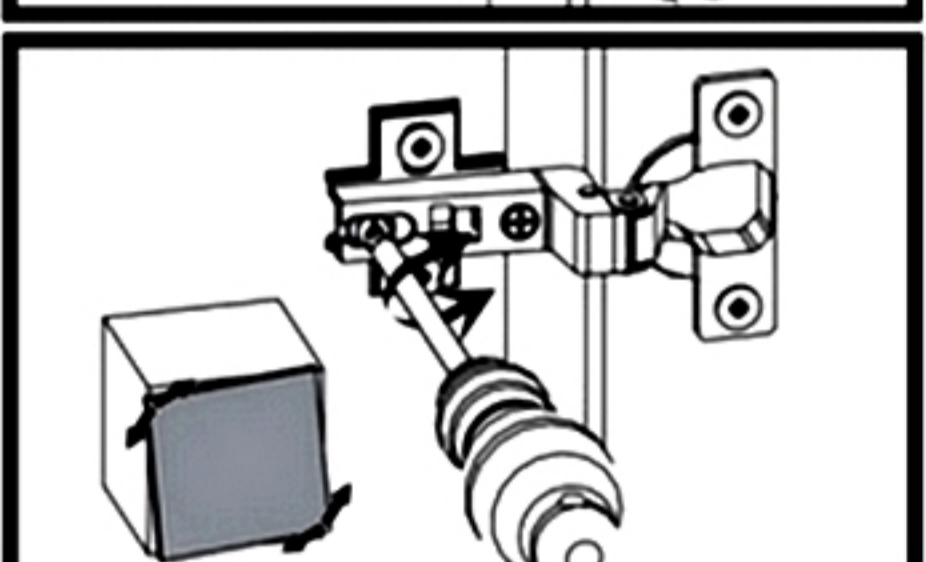
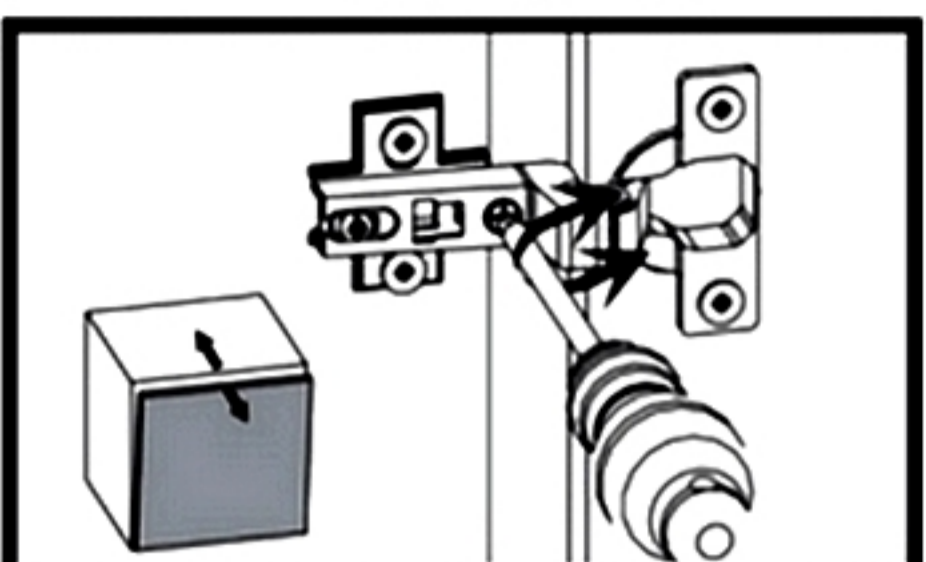
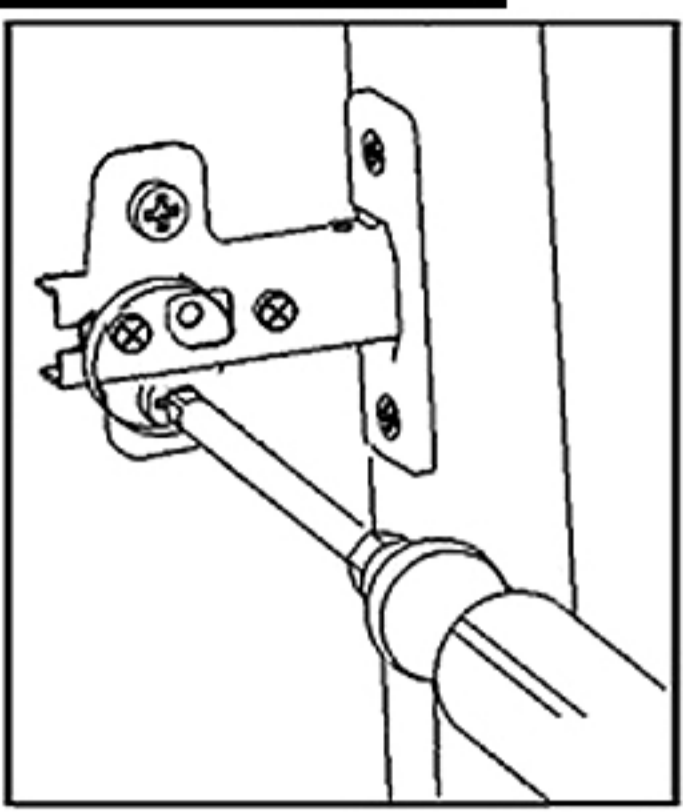


x 3

S1  3,5x16	A0  x 4
--	---



M2
x 4



M2
x 4

F1
x 8

