

ASSEMBLY INSTRUCTIONS **HOUSTON 2 DRAWER BEDSIDE**

IMPORTANT : READ THESE INSTRUCTIONS CAREFULLY BEFORE ATTEMPTING TO ASSEMBLE OR USE YOUR HOUSTON 2 DRAWER BEDSIDE .

PLEASE KEEP THESE INSTRUCTIONS FOR FUTURE REFERENCE.

ASSEMBLY:

Assembly should be carried out with this item laying flat, not standing upright.

Assemble on a soft, clean surface to prevent damages.

To erase the numbers printed on the pieces, use the rubber inside the accessories pack.

HEALTH & SAFETY:

DO NOT use this product if any parts are missing, damaged or worn.

DO NOT use this product unless all fixings are secured.

Always use on a level, even surface.

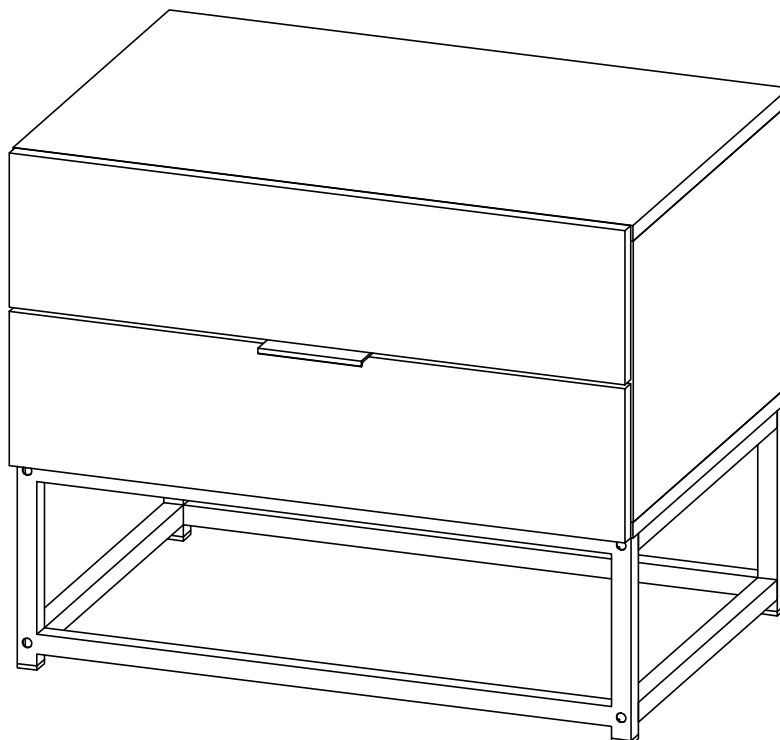
CARE & MAINTENANCE:

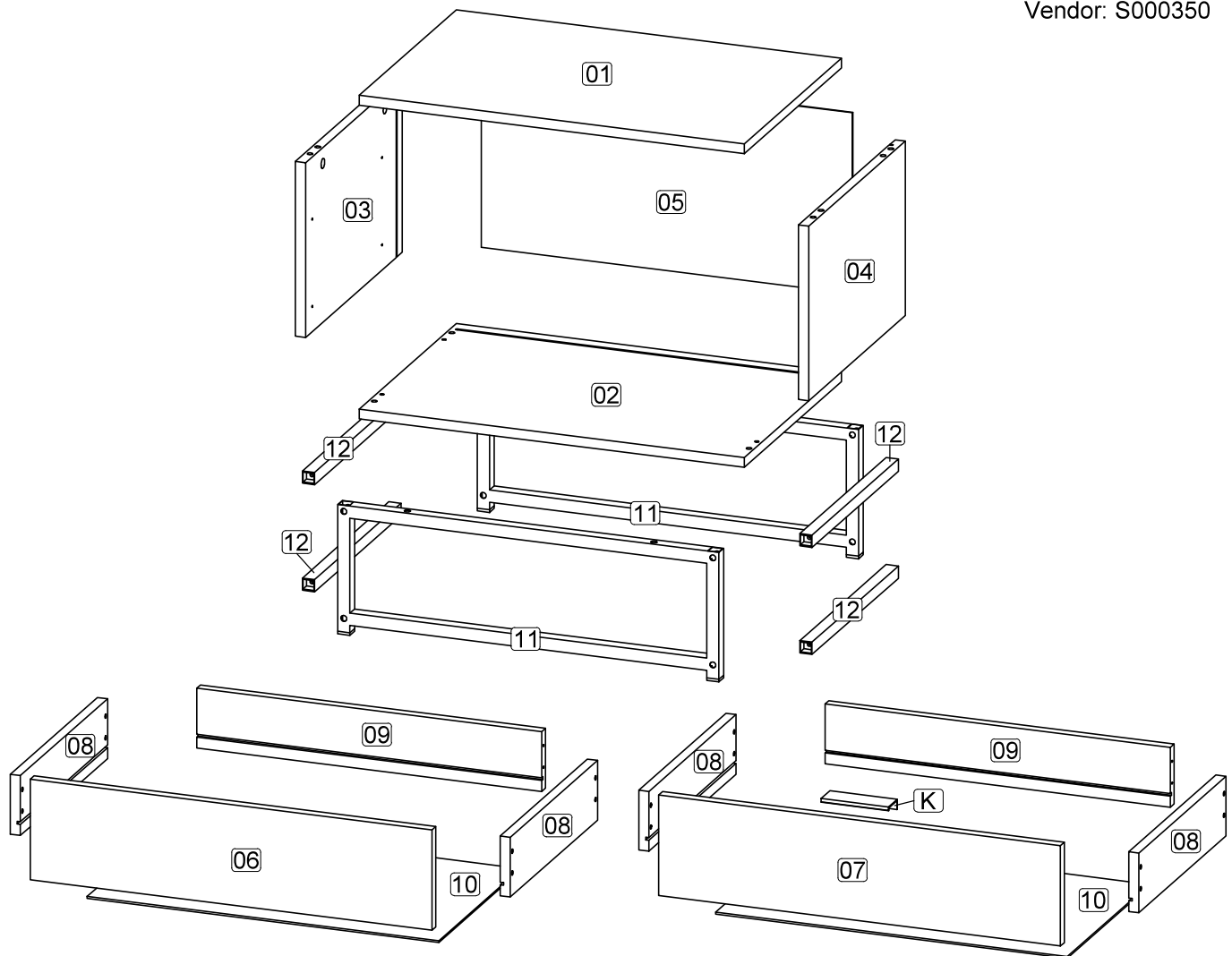
Periodically check all screws & fixings to ensure they are secure.

DO NOT push this product as this will cause damage.

Always lift this product with two people to repositions.

Keep any sharp objects away from this product.





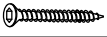
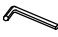








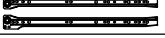
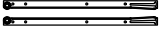




Parts List		
Part	Description	Qty
01	Top panel	1
02	Bottom panel	1
03	Side panel (Left)	1
04	Side panel (Right)	1
05	Back panel	1
06	Drawer front (Up)	1
07	Drawer front (Down)	1
08	Drawer side	4
09	Drawer back	2
10	Drawer bottom	2
11	Metal frame	2
12	Metal bone	4

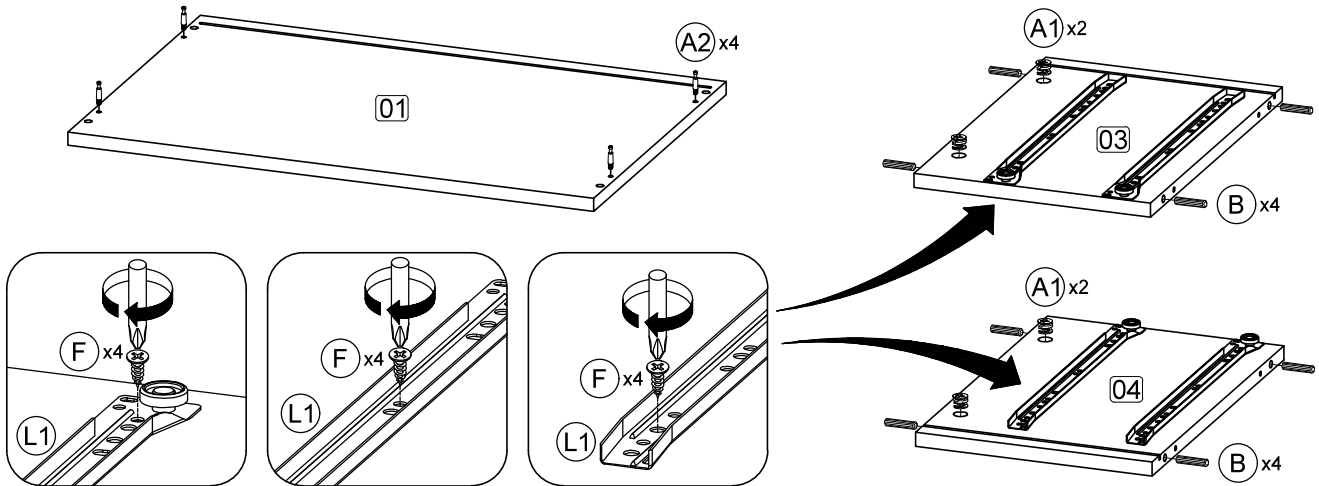
**** You will need a small mallet and a screwdriver for assembly.**

**** Some screws and wooden dowel may remain.**

Hardware List		
Part	Description	Qty
A1	Cam lock 	4
A2	Minifix screw 	4
A3	Plastic cap 	4
B	M8 x 30mm Wood Dowel 	8
C	M6 x 50mm CSK Cap Wood screw 	4
D	Allen key M4 	1
E	M3 x 12mm C.B Screw 	2
F	M3.5 x 16mm C.B Screw 	24
G	M4 x 38mm C.B Screw 	16
H	JCBC screw M6 x 30mm 	4
I	JCBC screw M6 x 40mm 	8
J1	Stud 192 	4
J2	Stud 192 screw 	4
K	4020 L Bar 100mm 	1
L1	14" Drawer slide (Left / Right) 	4
L2	14" Drawer slide (Left / Right) 	4

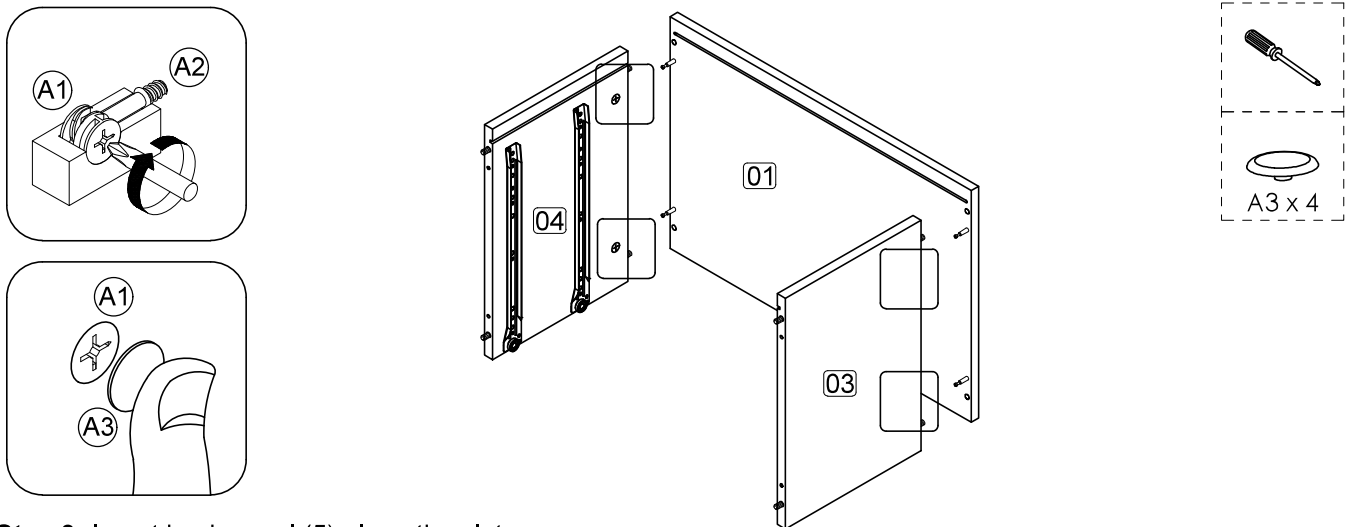
Step 1: Prepare these parts for assembly using hardware parts A1, A2, B, F and L1.

DO NOT use any power tools as this may damage the frame and will invalidate any claim.



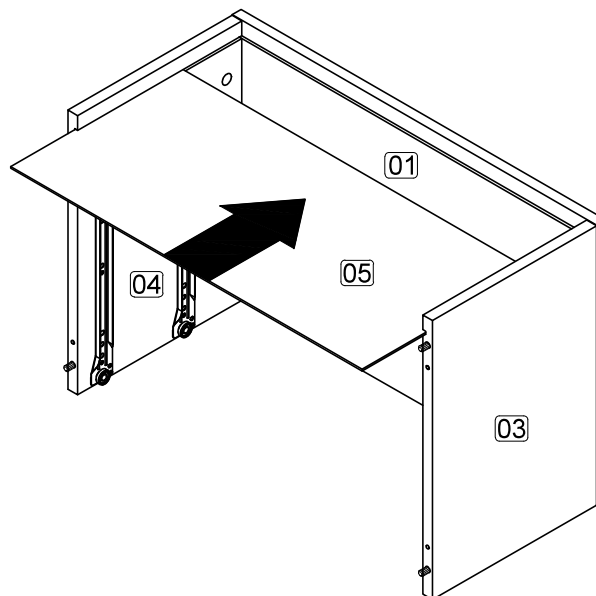
Step 2: Attach side panel (3) and (4) to top panel (1) using hardware A1 and A2 with a screwdriver (not provided).

DO NOT use any power tools as this may damage the frame and will invalidate any claim.



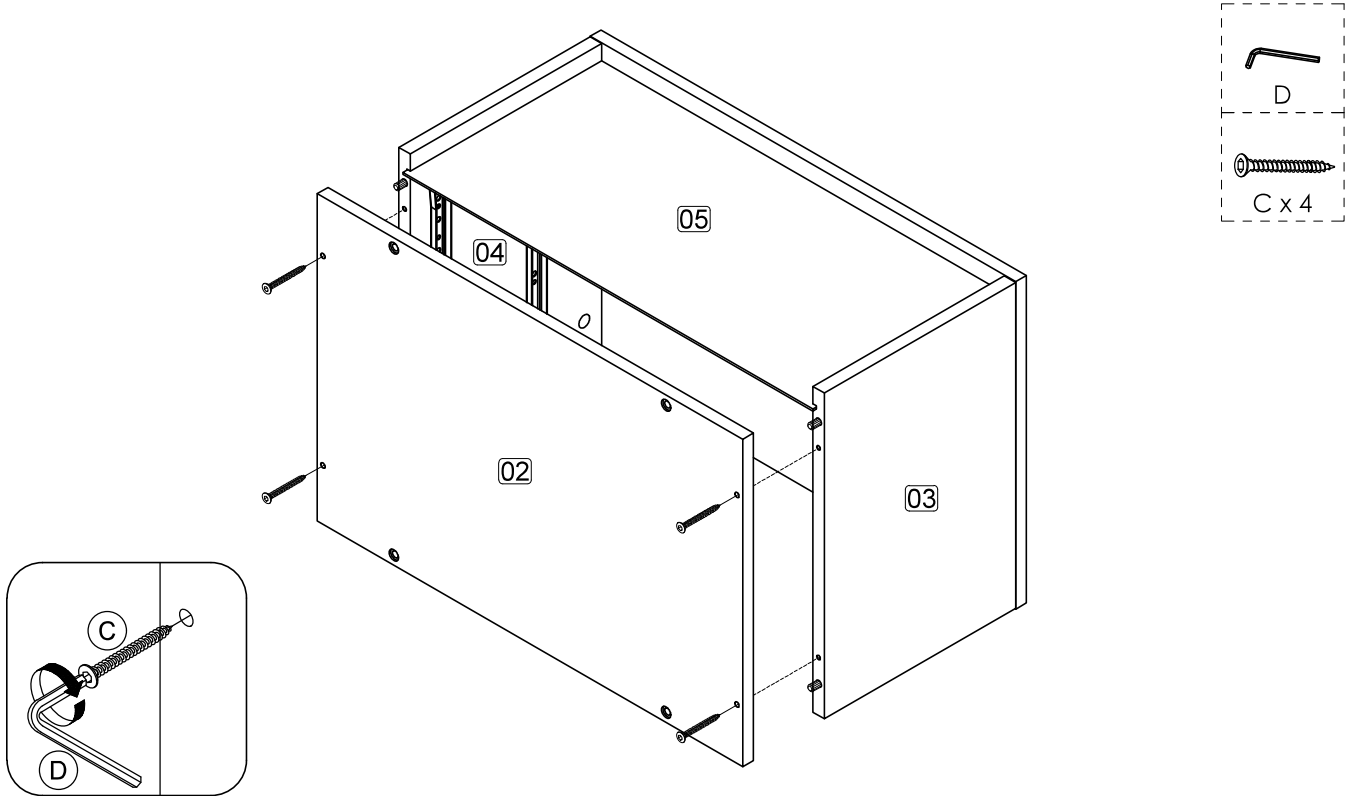
Step 3: Insert back panel (5) along the slot.

DO NOT use any power tools as this may damage the frame and will invalidate any claim.



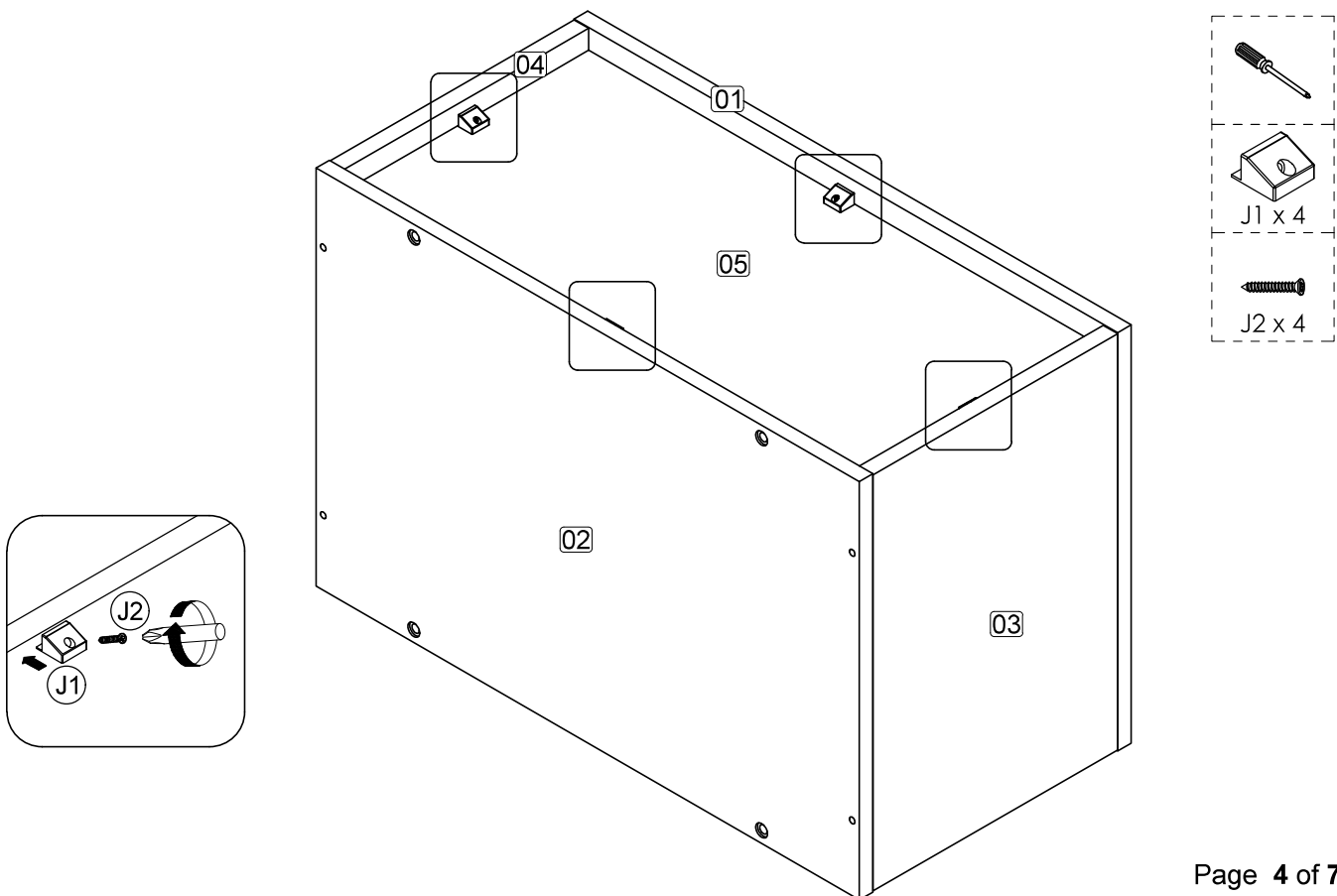
Step 4: Attach bottom panel (2) to side panel (3) and (4) using hardware C and D.

DO NOT use any power tools as this may damage the frame and will invalidate any claim.



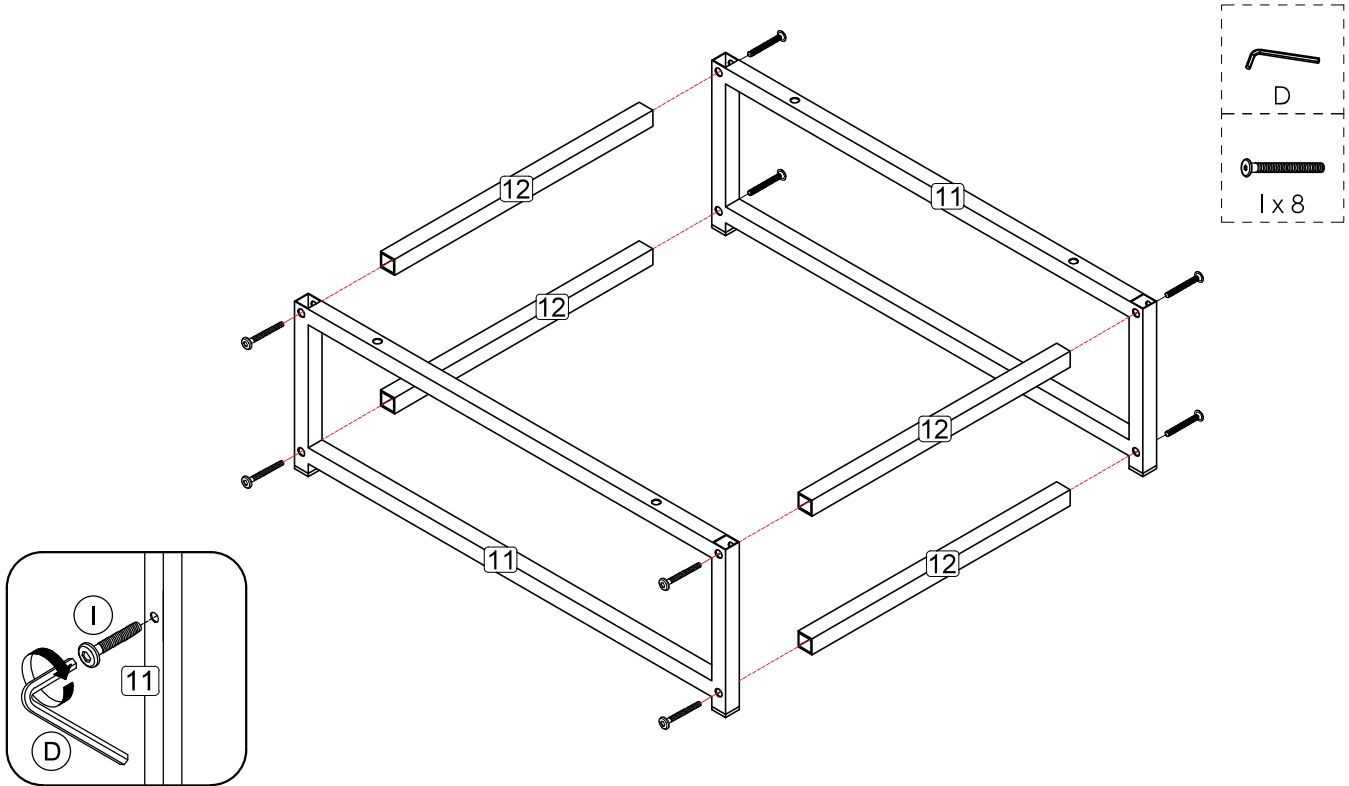
Step 5: Attach hardware J1 into top panel (1), bottom panel (2), side panel (3) and (4) using hardware J2 with a screwdriver (not provided).

DO NOT use any power tools as this may damage the frame and will invalidate any claim.



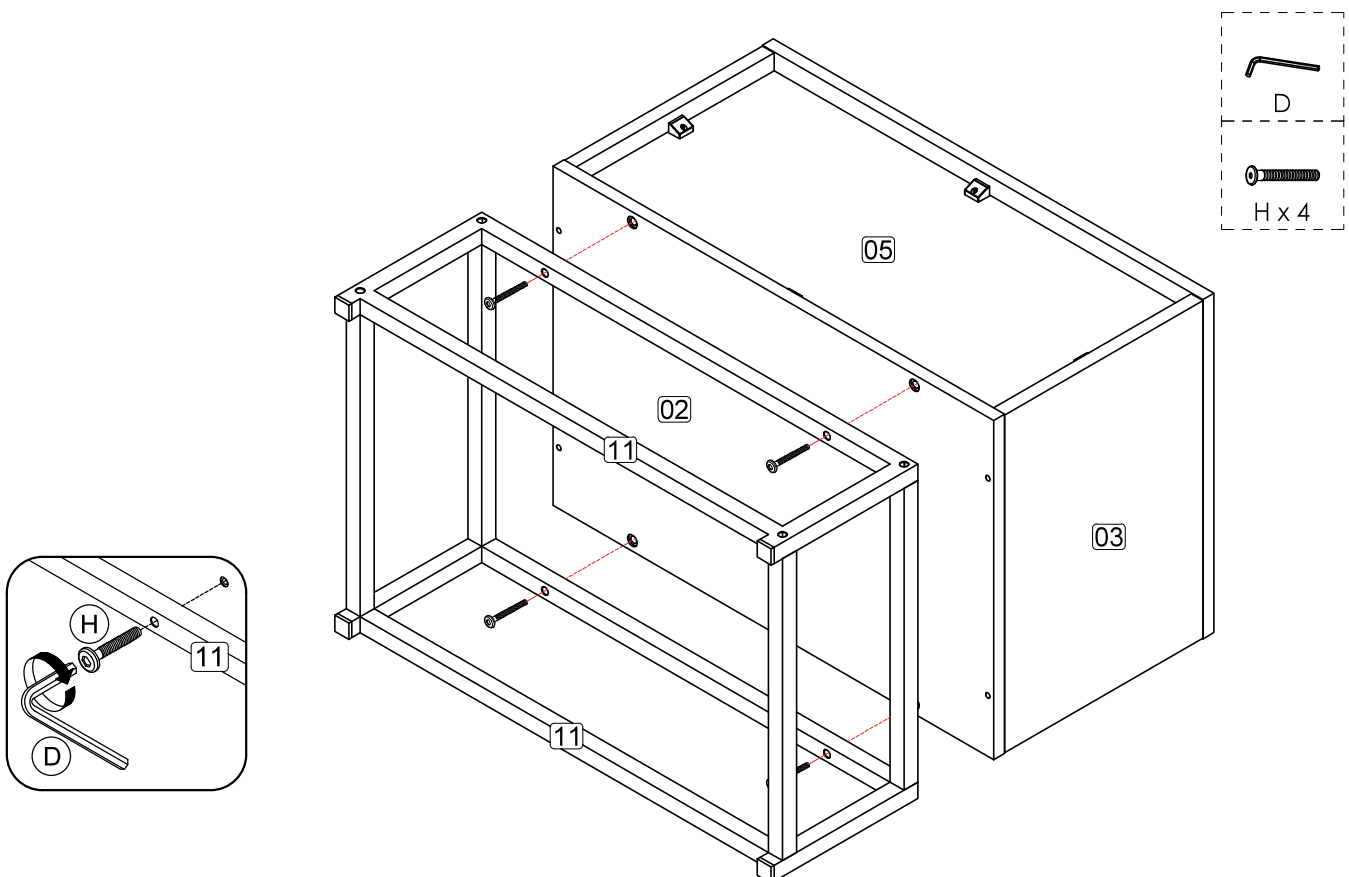
Step 6: Attach metal frame (11) to metal bone (12) using hardware D and I.

DO NOT use any power tools as this may damage the frame and will invalidate any claim.

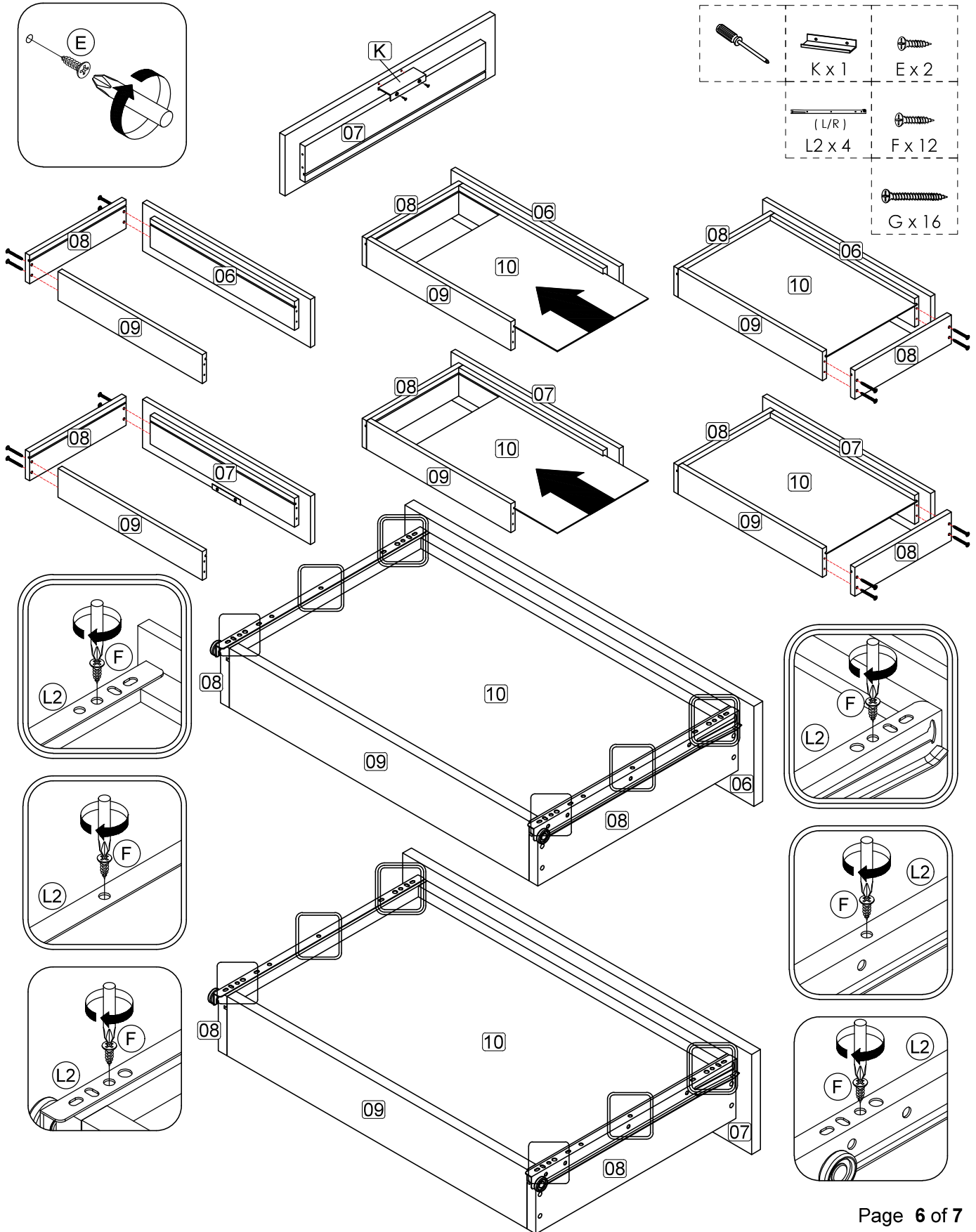


Step 7: Attach metal frame (11) to bottom panel (2) using hardware D and H.

DO NOT use any power tools as this may damage the frame and will invalidate any claim.



Step 8: Attach the hardware K to the drawer front down (7) using hardware E, attach the drawer front up (6) or drawer front down (7) and the drawer back (9) to 1x drawer side (8) using hardware G. Slide in the drawer bottom (10) and attach the other drawer side (8) using hardware G. Lastly attach the hardware L2 to the drawer sides (8) using hardware (F).
DO NOT use any power tools as this may damage the frame and will invalidate any claim.



Step 9: Assemble the drawer in place along the drawer slides.

DO NOT use any power tools as this may damage the frame and will invalidate any claim.

