

WARRANTY

We strive to offer high-quality products, we also try our best to satisfy each and every customer who orders from us with products or services as needed. We provide a 1-year warranty starting from the time you receive the item. You must provide a record of their order such as the order number, or item receipt for any items that are out of the warranty period, you may also still receive replacement parts by purchasing them with our company if they are available.

**Are you having difficulty
with assembly? Missing parts?**

**Please send email with your order No. to
our customer service.**

**Thank you for purchasing from us.
Pop up your life with our furniture piece!**

Assembly Instructions



NOTE: Please read these instructions carefully before starting assembly

HASSEL-FREE WARRANTY

We proudly provide 1-YEAR warranty, if there is any questions with the products, please feel free to contact with us.



The assembly will be easier with
2 people while 1 person could
also do the job.



Around 10 MIN ASSEMBLY

MAINTAINANCE AND WARNING

- Keep furniture away from heat sources.
- Do not clean furniture with harsh cleaner or polishes. Do not use detergents, Solvents, abrasives, spray packs or leather cleaner. Use non-color mild soap with warm water to clean spills(Mix 1:10 soap to water)
- Do not place furniture under direct sunlight, material will possibly fade over time.
- Do not use on site dry Cleaning machine.
- Children should not climb or jump on the furniture.
- Do not write on furniture that is not protected by a padded barrier .



Weight Limitation

250LBS

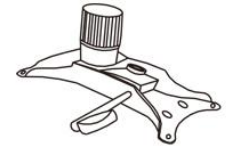
PARTS LIST 1

A*1



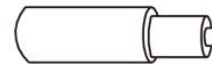
Seat

B*1



Plate

C*1



Gas lift

D*1



base

E*5



Wheel

HARDWARE LIST

①*4
M6*20mm



Bolt

②*1
5mm



Allen Key

SPARE

①*1
M6*20mm

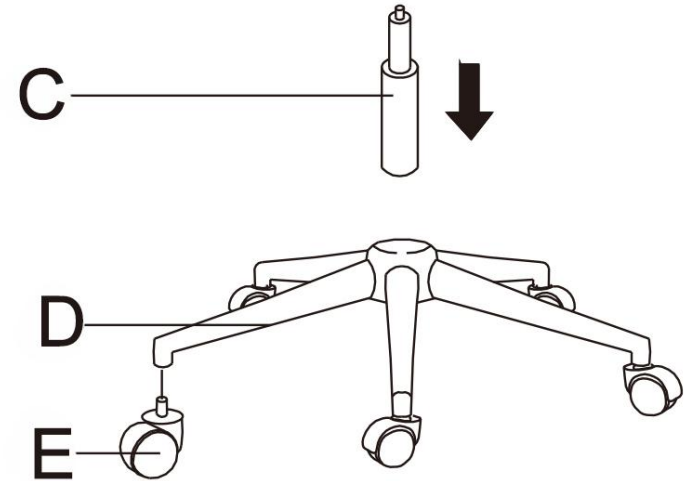


Bolt

Be sure to inspect all packing material carefully for small parts, that may have come loose inside the carton during shipment.

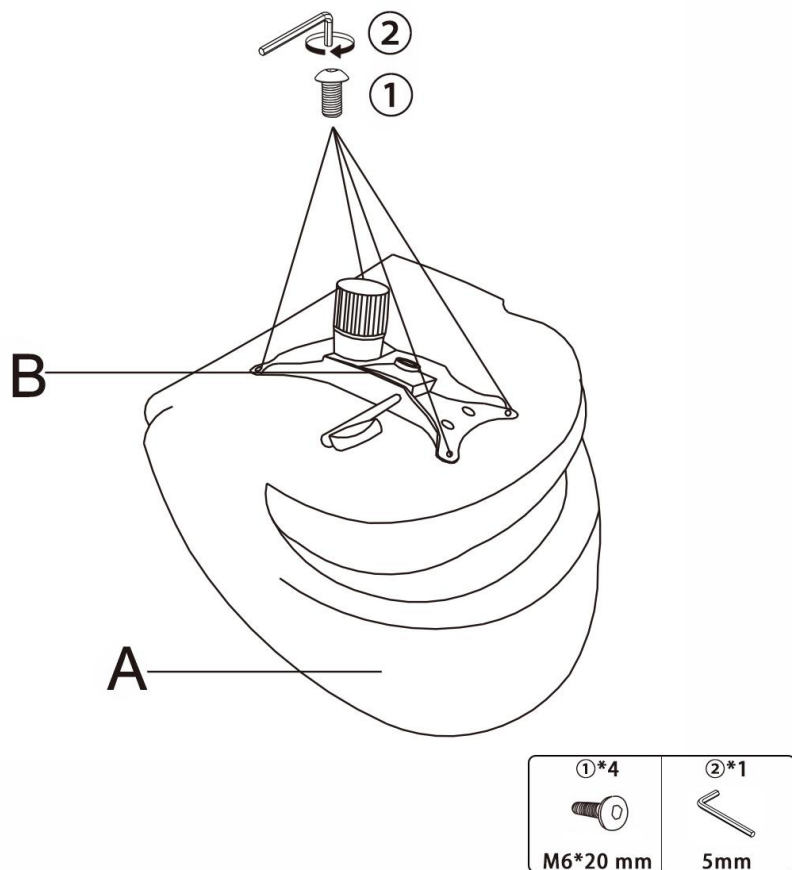
ASSEMBLY INSTRUCTIONS

STEP 1



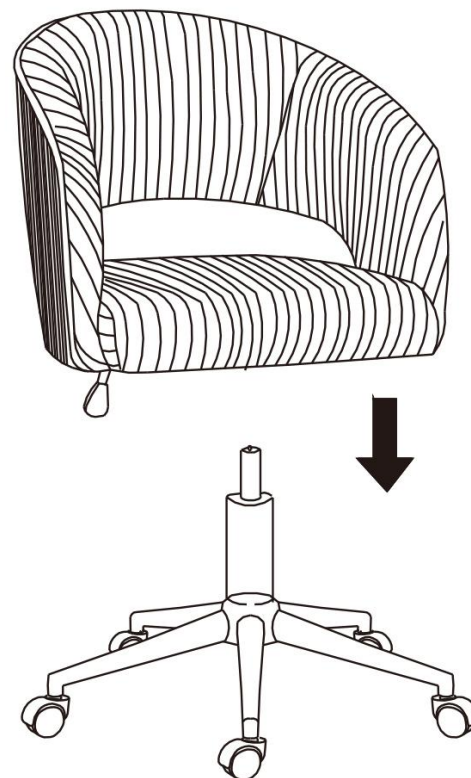
Attach 5 x wheels (E) to 1 x base (D)
Attach 1 x gas lift (C) to above step

STEP 2



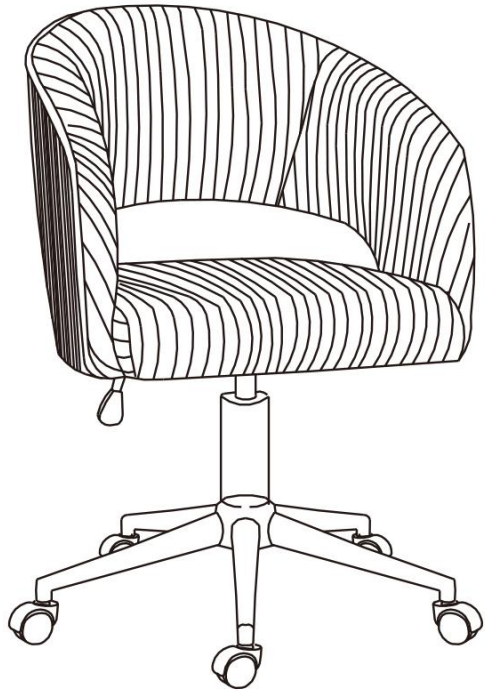
Attach 1 x Plate (B) to 1 x seat (A)
using 4 x screw (①).
Tighten with the Allen key(②)

STEP 3



Attach item assembled in step 2 to item assembled
in step 1.

STEP 4



Complete assembly