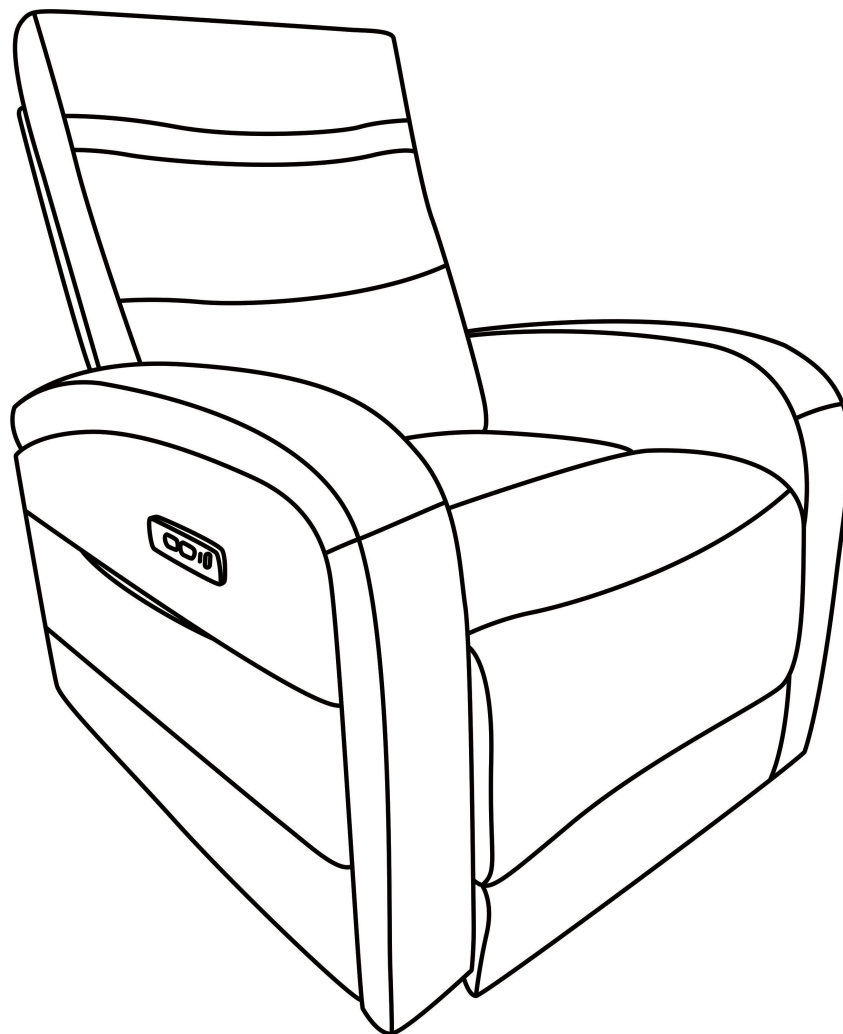


Power Swivel Glider Recliner Chair

ASSEMBLY MANUAL



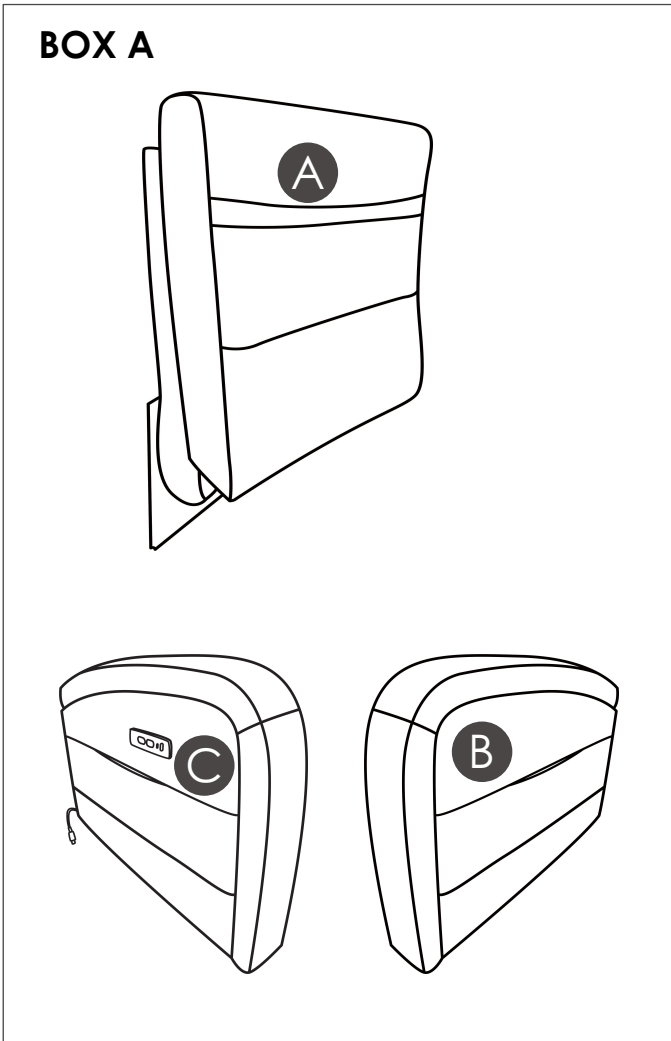
CAUTION

THIS ASSEMBLY MANUAL CONTAINS IMPORTANT SAFETY INFORMATION.

PLEASE READ AND KEEP FOR FUTURE REFERENCE.

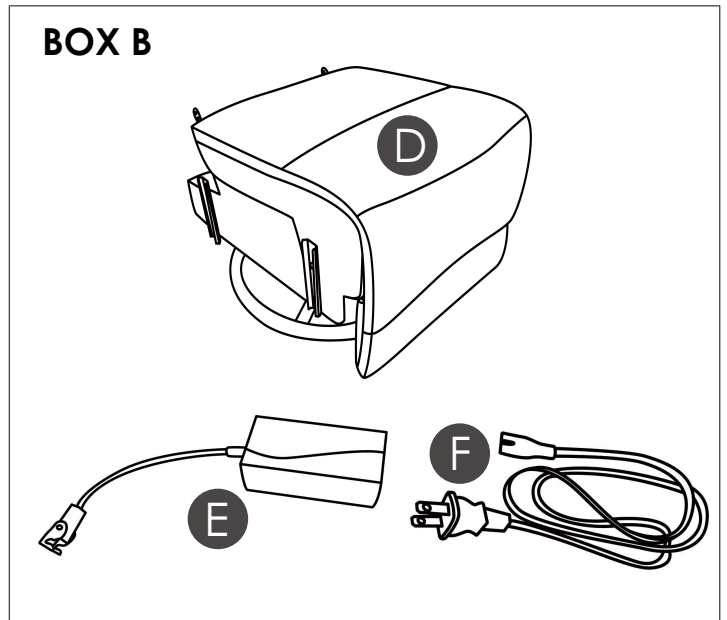
COMPONENTS

BOX A



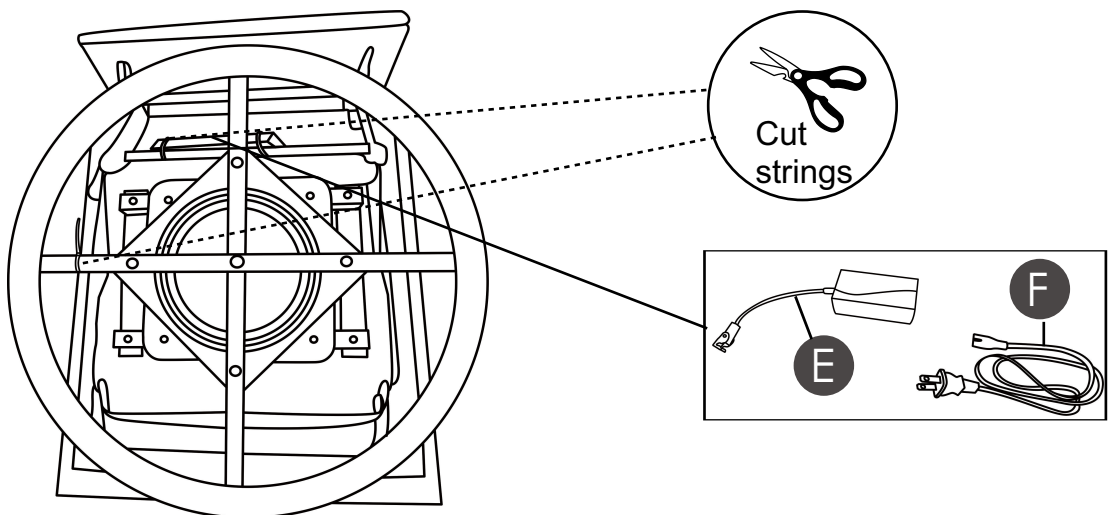
- A Chair Back** 1X
- B Right Armrest** 1X
- C Left Armrest** 1X
- D Chair Base** 1X
- E Adapter** 1X
- F Power Cord** 1X

BOX B



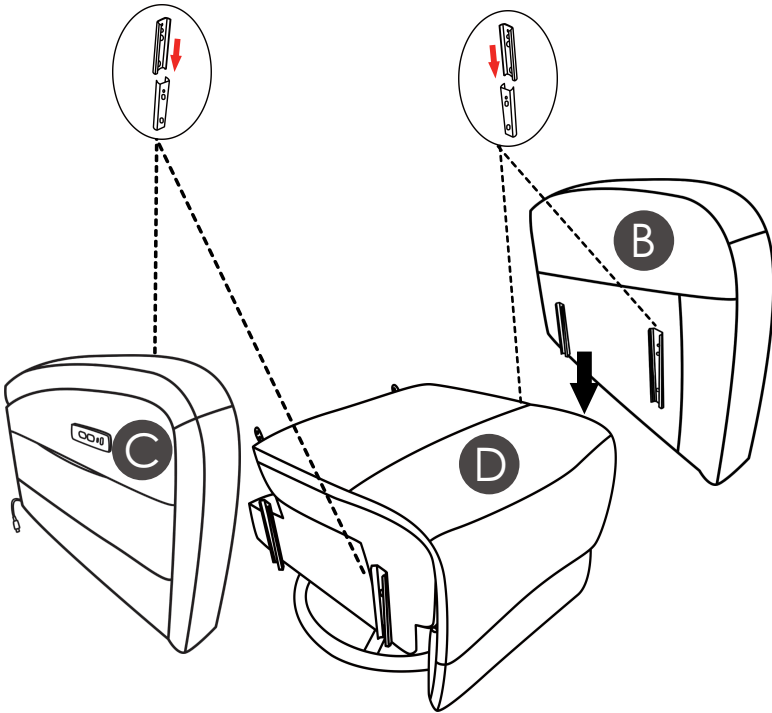
Before you begin:

First cut off the fixed straps, and locate the Adapter(E) and Power cord(F) at the bottom of the Chair Base(D).

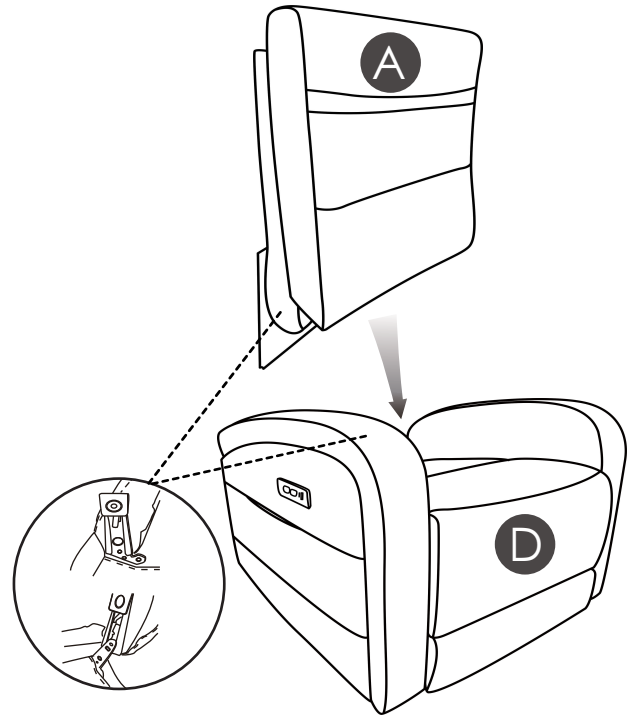


BOTTOM VIEW

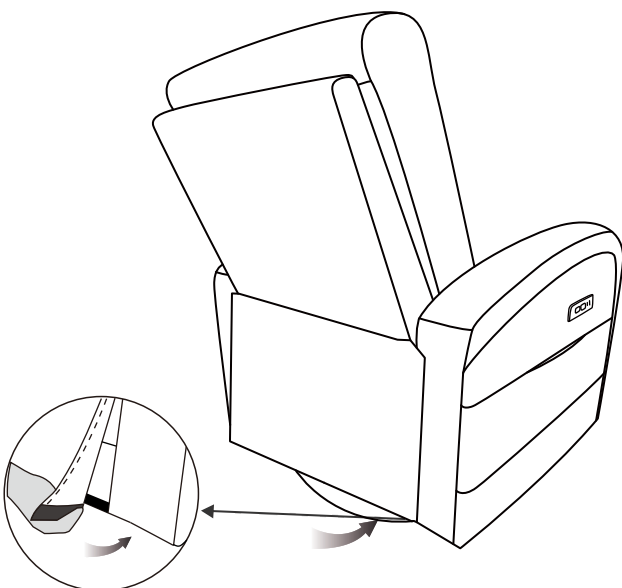
- 1 Attach the Left Armrest (C) and the Right Armrest (B) to Chair Base (D).



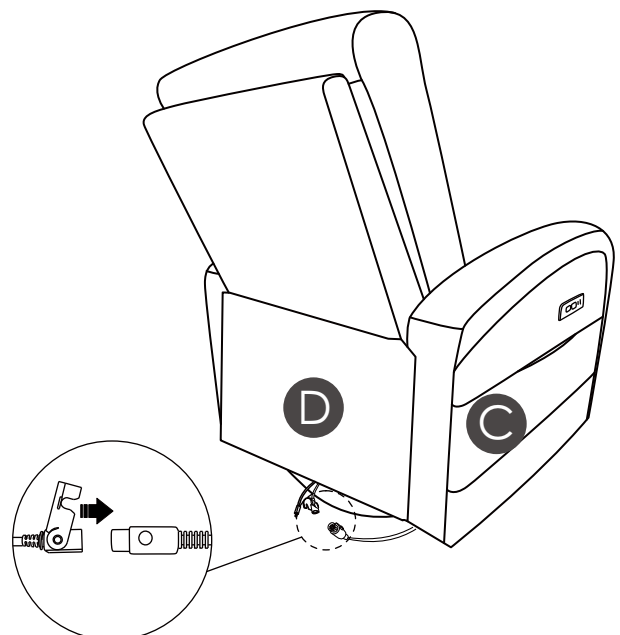
- 2 Slide the Chair back (A) into the metallic quick connectors of the Chair base (D). Push down the back firmly until each side is locked into place and an audible "click" is heard.



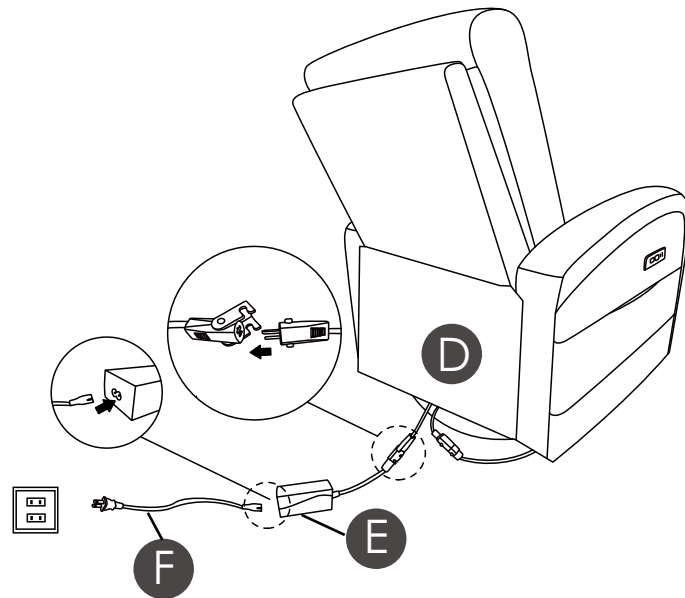
- 3 Attach the back cover to the bottom of the Chair base (D) with Velcro.



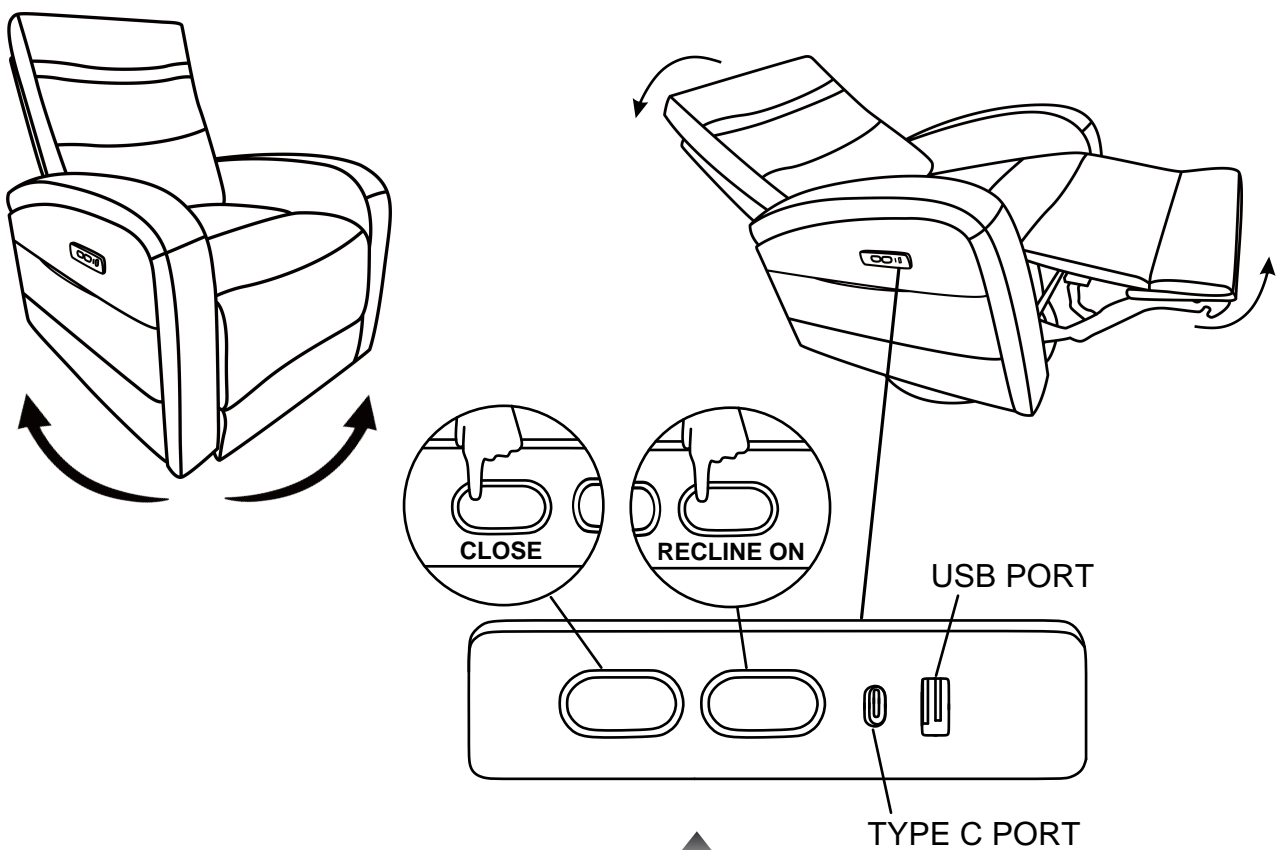
- 4 Connect the Power Cable of the Armrest (C) to the Chair Base (D). Fix the wire with Velcro.



- 5 Connect one end of the Power Adapter (E) to the Connection Jack under the Chair Base (D), Connect the power cord (F) to the power adapter (E), and then connect the Adapter plug to the Power Outlet.



- 6 Assembly completed, it's ready to use.



? How to operate

Design Exquisite Furniture For Your Home

PRODUCT WARRANTY

- 1-year limited on cover against splitting, peeling, and/or tearing.
- 1-year limited on internal and external frame structure.
- 1-year limited on cushioning material, seat springs and mechanism.

Contact us:

We make all efforts to guarantee that the products you receive are in excellent condition. If there are any parts missing or damaged, the Customer Service Team will be happy to provide free replacements for you. We have professional warehouses where the current inventory of parts is enough so that they will arrive in your hands as fast as possible.

Assistance with assembly or product details is available; don't hesitate to get in touch with us to get priority service.