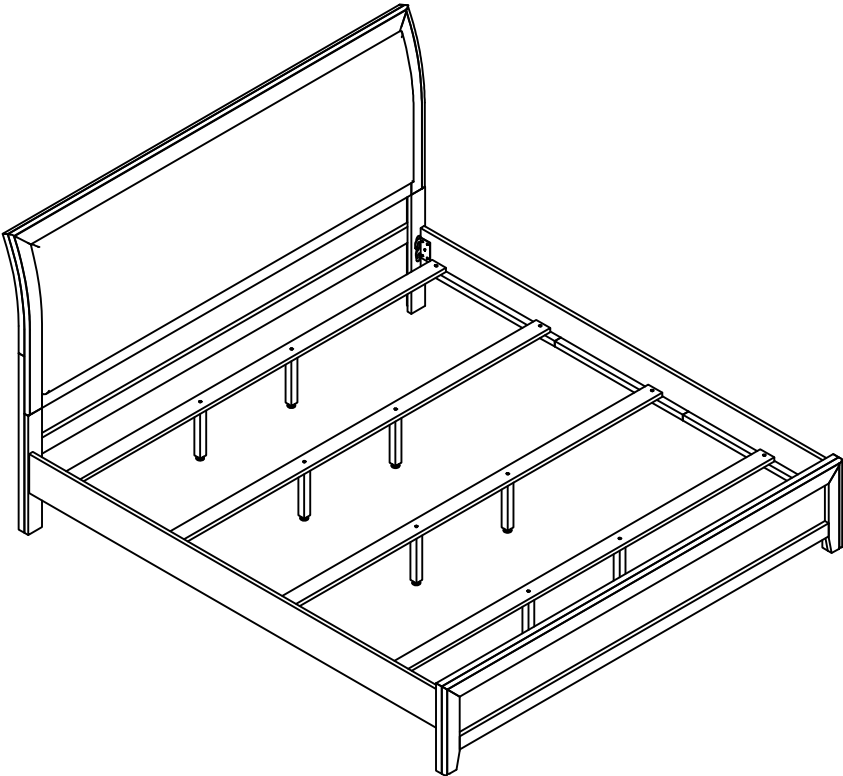


ASSEMBLY INSTRUCTIONS



TOOLS REQUIRED



Allen Wrench

(Included)



Phillips Screwdriver

(Not Included)



2 - People Recommended

ASSEMBLY RATING



EASY —————> DIFFICULT

The Assembly Rating is a 5-point system showing the level of effort needed to assemble a specific product.



CHECK BEFORE STARTING

Are you missing anything?

Double-check all parts, hardware and accessories listed are all accounted for.

Check out our Quick Tips!

We recommend reviewing the pre-assembly handouts. Even experts need a refresher now and then!

Should we send any replacements?

Are there any irregularities or flaws in the parts? We can send replacements!

Prep Time!

Please review the assembly instructions and all diagrams prior to assembling.

PRE ASSEMBLY INTRODUCTION

We understand building ready-to-assemble furniture can be a challenging experience for some. To help avoid confusion, we have provided some helpful tips that may speed up the process.



Teamwork

ALWAYS have at least two people to help with transporting and assembling the product to avoid potential injury and/or damage.



Suitable Location

Assembling near the area of the intended location is highly recommended.



Sufficient Space

Make sure you have enough space to move around during the assembly.



Avoid Scratches

Use cardboard, blankets or a carpeted area while assembling furniture to prevent to prevent scratches and damages.



Flat Surface

Make sure the furniture rests on a flat and level surface with each leg evenly touching the floor.

ASSEMBLY AND CARE ADVICE



FAILURE TO FOLLOW THE GUIDELINES BELOW MAY RESULT IN INJURY AND/OR PROPERTY DAMAGE.



Position each part correctly and insert screws or bolts into their respective holes.



Turn clockwise to tighten and only tighten when step is completed or when instructed to do so.



Use the appropriate hand tools or power tools for assembly. Select steps, such as tightening screws and/or bolts, may require hand tools to avoid causing damage during assembly.



Save the instructions and store any supplied tools for later maintenance.



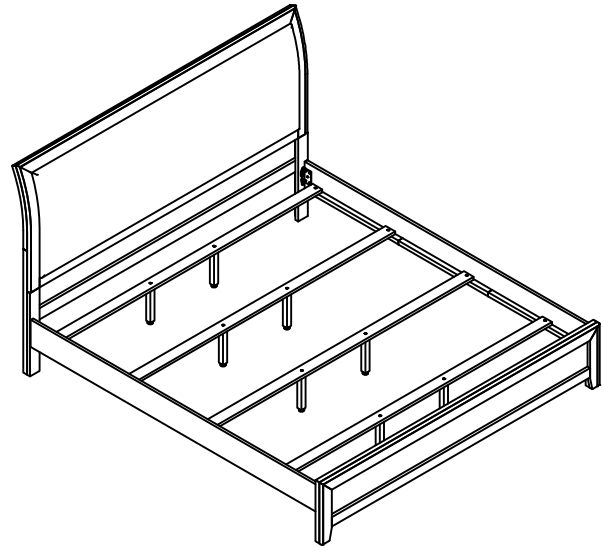
After two weeks, check and tighten any loose hardware and repeat again every six months thereafter.

IT IS THE USER'S RESPONSIBILITY TO MAINTAIN THE FURNITURE. THE HARDWARE MAY LOOSEN OVER TIME AND MAY CAUSE THE FURNITURE TO BE WOBBLY AND UNABLE TO SUPPORT ITS INTENDED WEIGHT CAPACITY. THIS MAY LEAD TO COLLAPSE AND MAY CAUSE SERIOUS INJURY.

BED

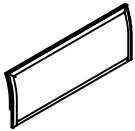


- Please keep instructions for future reference.
- Check the quantity and irregularity of parts and hardware before you start.



PARTS

#1 1pc



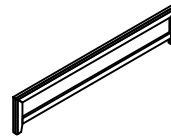
Headboard

#2 2pcs



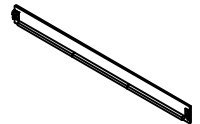
HB leg(L&R)

#3 1pc



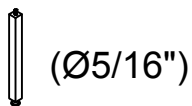
Footboard

#4 2pcs



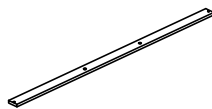
Siderail

#5 8pcs



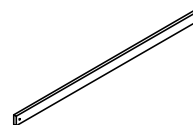
Slat support leg
215x30x30mm

#6 4 pcs



Slat

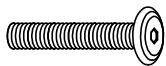
#7 1pc



HB Bottom Rail

HARDWARE

#A 8pcs



Bolt
Ø5/16" x 1-3/8"

#B 8pcs



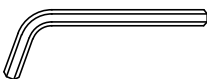
Lock Washer
Ø5/16"

#C 8pcs



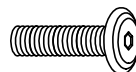
Flat Washer
Ø5/16"

#D 1pc



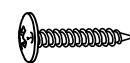
Allen key M4

#E 8pcs



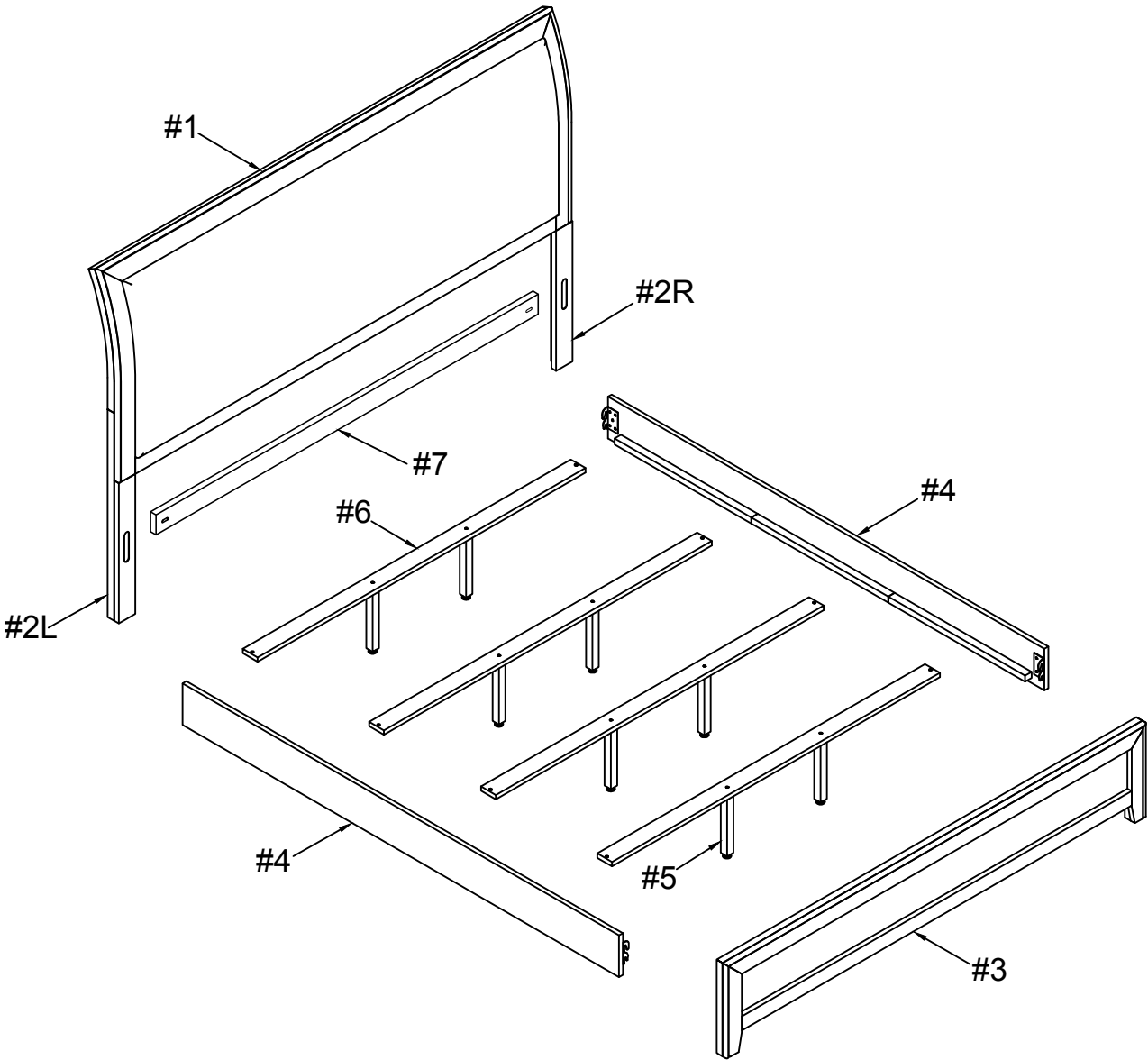
Bolt
Ø5/16" x 1"

#F 8pcs

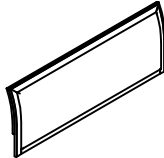




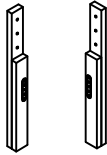
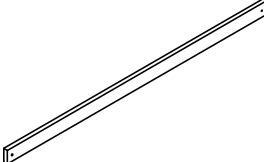
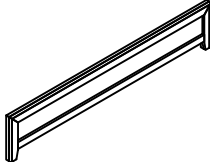
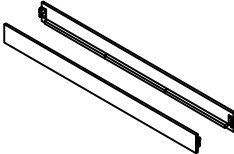
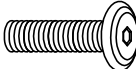


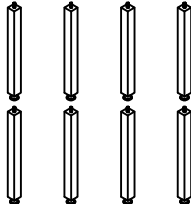
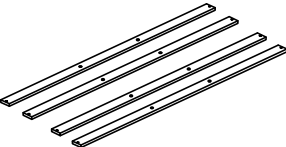


Screw #4x 30mm

Exploded View



packed in 3 cases

Carton	Disignation	Part		Hardware
	Headboard	#1		 #A x 8pcs  #B x 8pcs  #C x 8pcs  #D x 1pc
	HB Leg(L&R)	#2		
	HB bottom rail	#7		
	Footboard	#3		
	Siderail	#4		 #E x 8pcs  #F x 8pcs  #D x 1pc
	Slat support leg (215x30x30mm)	#5		
	Slat	#6		

ASSEMBLY INSTRUCTIONS

1

Part #1 x1pc

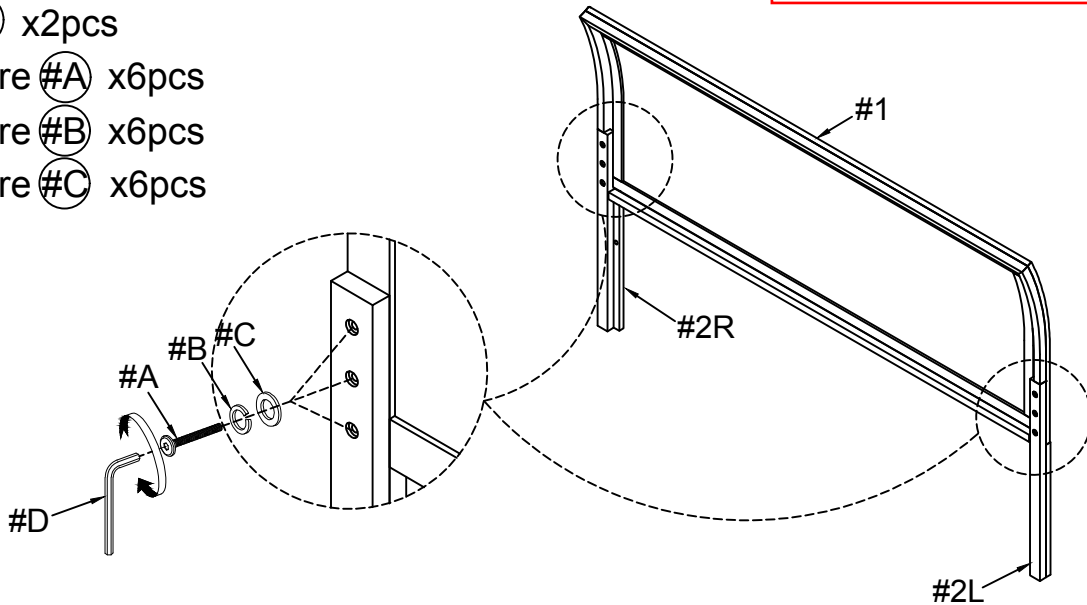
Part #2 x2pcs

Hardware #A x6pcs

Hardware #B x6pcs

Hardware #C x6pcs

Align HB legs (#2R/L) to the headboard (#1), then secure by using bolts (#A) with washers (#B,C).



2

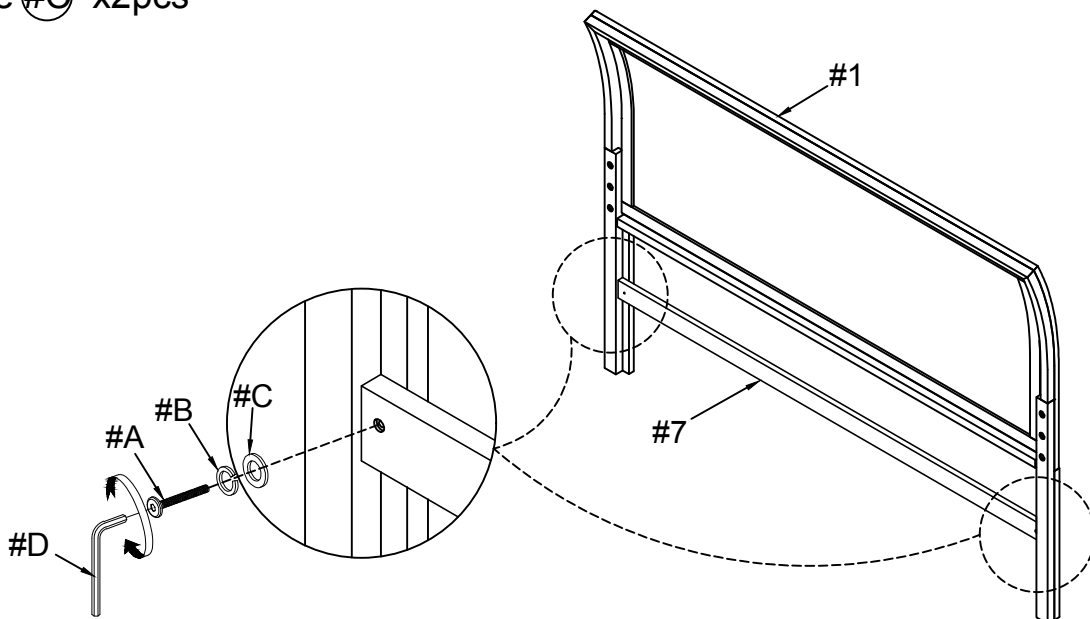
Part #7 x1pc

Hardware #A x2pcs

Hardware #B x2pcs

Hardware #C x2pcs

Align HB support (#7) to the headboard (#1), then secure by using bolts (#A) with washers (#B,C).

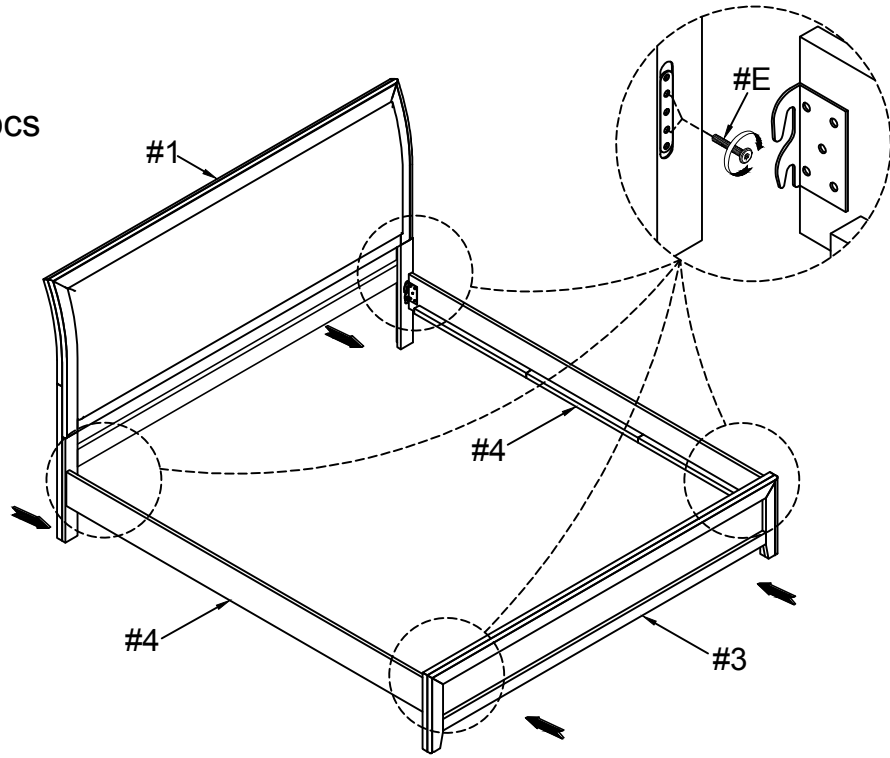


ASSEMBLY INSTRUCTIONS

3

- Part #3 x1pc
- Part #4 x2pcs
- Hardware #E x8pcs

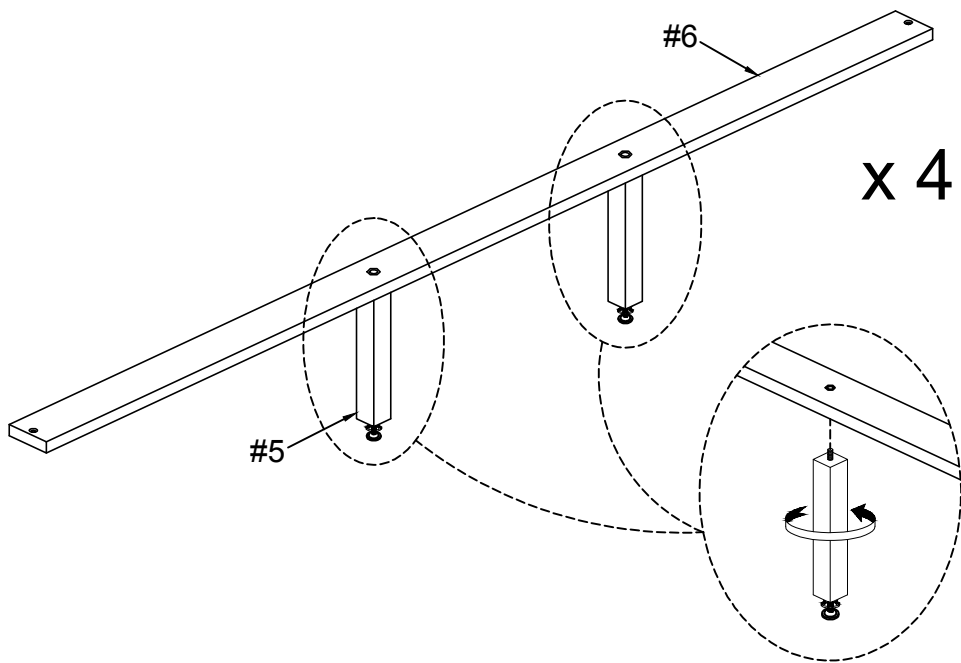
Attach bolts (#E) half way into the headboard (#1) and footboard (#3), then align side rails (#4) to the bolts (#E). Secure bolts (#E).



4

- Part #5 x2pcs
- Part #6 x1pc

Attach support legs (#5) to the slats (#6). Adjust the leveler of the support legs (#5) according to ground level.

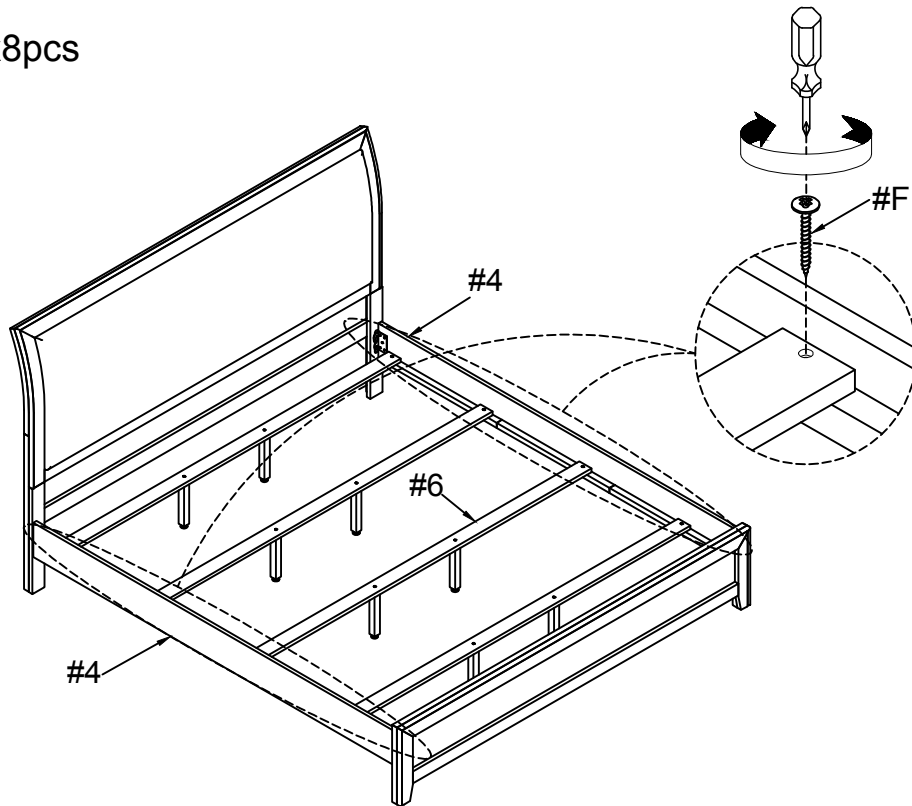


ASSEMBLY INSTRUCTIONS

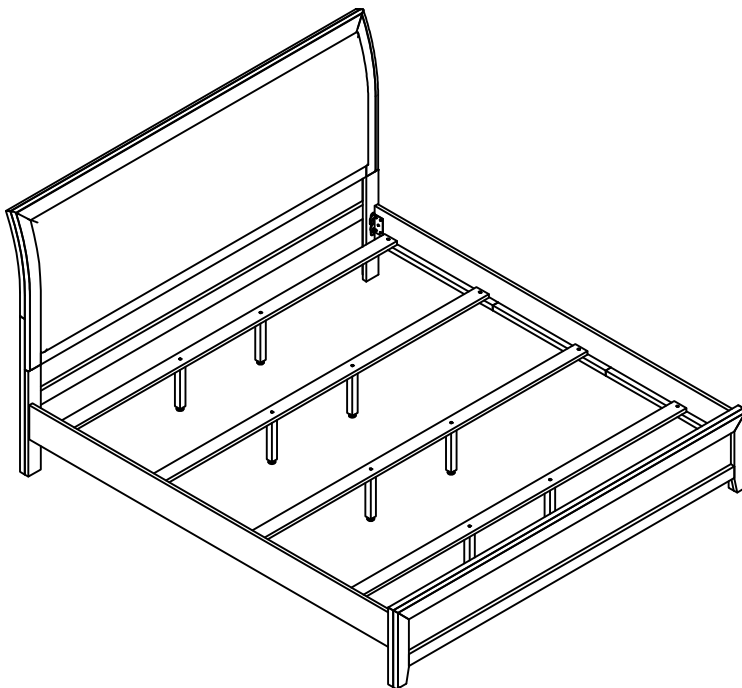
Align slats (#6) to the side rails (#4), then secure by using screws (#F).

4

Hardware (#F) x8pcs



6



ASSEMBLY COMPLETED



Please ensure the furniture rests on an even and flat surface. If the product wobbles or feels loose, double-check all bolts and/or screws are properly tightened and secured.

✓ Keep this handy!

Please retain this instruction manual and any order-related information for future reference.

✓ Lift, don't drag!

To avoid damage to product please always LIFT the product when transporting or adjusting the placement.