

USE AND CARE GUIDE

## 01 Safety Information

1. To reduce the risk of electric shock, ensure the electricity has been turned off at the circuit breaker or fuse box before you begin.
2. All wiring must be in accordance with the National Electrical Code ANSI/NFPA 70-1999 and local electrical codes. Electrical installation should be performed by a qualified licensed electrician.
3. The outlet box and support structure must be securely mounted and capable of reliably supporting 35 lbs. (15.9 kg). Use only UL Listed outlet boxes marked "Acceptable for Fan Support of 35 lbs. (15.9 kg) or less".
4. The fan must be mounted with a minimum of 7 ft. (2.1 m) clearance from the trailing edge of the blades to the floor.
5. Do not operate the reversing switch while the fan blades are in motion. You must turn the fan off and stop the blades before you reverse the blade direction.
6. Do not place objects in the path of the blades.
7. To avoid personal injury or damage to the fan and other items, use caution when working around or cleaning the fan.
8. Electrical diagrams are for reference only. Light kits that are not packed with the fan must be UL-listed and marked suitable for use with the model fan you are installing. Switches must be UL General Use Switches. Refer to the instructions packaged with the light kits and switches for proper assembly.
9. After making electrical connections, spliced conductors should be turned upward and pushed carefully up into the outlet box. The wires should be spread apart with the grounded conductor and the equipment-grounding conductor on one side of the outlet box.
10. All setscrews must be checked and re-tightened where necessary before installation.



**WARNING:** To reduce the r do not bend the blade brac flanges) during assembly o insert objects in the path of t



**WARNING:** Remove the rubber motor stops on the bottom of the fan before installing the blades or testing the motor.



**WARNING:** To reduce the r this fan is NOT suitable for u controls.



**WARNING:** To avoid possib sure that the electricity is tu box before starting work. If y enough electrical wiring kn contact a licensed electrici.



**WARNING:** Electrical diag Optional use of any light kit s marked suitable for use with t



**WARNING:** To reduce the r or personal injury, ensure t bracket is supported direct structure or the outlet box m Fan Support of 35 lbs. (15, the screws provided with th

## 02 Warranty

The supplier warrants the fan motor to be free from defects in workmanship and material present at time of shipment from the factory for a lifetime after the date of purchase by the original purchaser. The supplier also warrants that all other fan parts, excluding any glass or acrylic blades, to be free from defects in workmanship and material at the time.

of shipment from the factory for a period of two years after the date of purchase by the original purchaser correct such defects without charge or at our option replace with a comparable or superior model if the product is returned.

To obtain warranty service, you must present a copy of the receipt as proof of purchase. All costs of removing and re-installing the product are your responsibility. Damage to any part such as by accident, misuse, improper installation, or by affixing any accessories, is not covered by this warranty.

Because of varying climatic conditions this warranty does not cover any changes in brass finish, including rusting, pitting, corroding, tarnishing, or peeling. Brass finishes of this type give their longest useful life when protected from varying weather conditions. A certain amount of "wobble" is normal and should not be considered a defect.

Servicing performed by unauthorized persons shall render the warranty invalid. There is no other express warranty hereby disclaims any and all warranties, including but not limited to those of merchant ability and fitness for a particular purpose to the extent permitted by law. The duration of any implied warranty which cannot be disclaimed is limited to the time period as specified in the express warranty. Some states do not allow a limitation on how long an implied warranty lasts, so the above limitation may not apply to you.

The retailer shall not be liable for incidental, consequential, or special damages arising out of or in connection with product use or performance except as may otherwise be accorded by law. Some states do not allow the exclusion of incidental or consequential damages, so the above exclusion or limitation may not apply to you. This warranty gives specific legal rights, and you may also have other rights which vary from state to state. This warranty supersedes all prior warranties. Shipping costs for any return of product as part of a claim on the warranty must be paid by the customer.

## 03 Pre-Installation

### TOOLS REQUIRED



Phillips  
screwdriver



Flat blade  
screwdriver



Step  
ladder



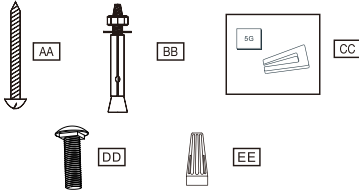
Wire  
stripper




## 04 Pre-Installation(continued)

### HARDWARE INCLUDED

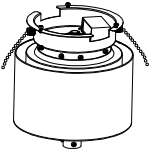

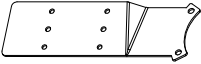
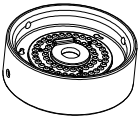
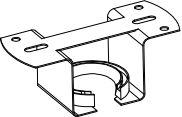
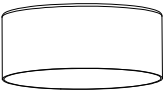
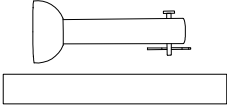


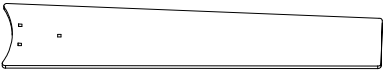
#### components table



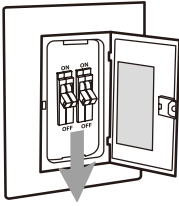
 NOTE: Hardware not shown to actual size.

AA	<b>Mounting screws</b>	4
BB	<b>Expansion Bolts</b>	2
CC	<b>Balance clip and balance pad</b>	2
DD	<b>Blade attachment screw and fiber washer</b>	13
EE	<b>Plastic wire nut(not to scale)</b>	3

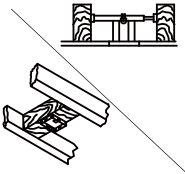
## PACKAGE CONTENTS

		
<b>A</b> motor*1	<b>B</b> lampshade *1	<b>C</b> blade bracket*4
		
<b>D</b> light panel*1	<b>E</b> mounting bracket*1	<b>F</b> decorative cover*1
		
<b>G</b> downrod*2	<b>H</b> canopy*1	<b>I</b> screw bag*1
		
<b>J</b> blade*4		

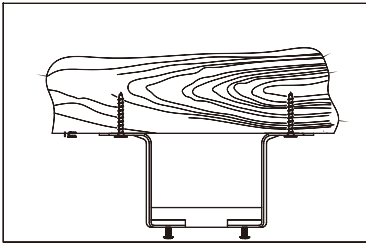
## 05 Installation of the hanging bracket(suspension part)



Before you begin installing the fan, Switch power off at Service panel and lock service disconnecting means to prevent power from being switched on accidentally. When the service disconnecting means cannot be locked, securely fasten a warning device, such as a tag, to the service panel.



Before installing this fan make sure the outlet box is properly installed to the house structure. To reduce the risk of re, electric shock, or personal injury, mount to outlet box or supporting system acceptable for fan support. (Mounting must support at least 35 lbs.)



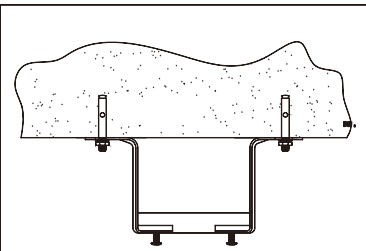
For wooden ceiling, use wood screw to drill on the wooden beam or the "junction box" to fix the hanging bracket (selection is made according to actual requirements of the customers).

### STEP 1A-WOODEN CEILING

SWITCH OFF THE ELECTRICAL MAINS AT THE CIRCUIT BREAKER FUSE BOX.

- 1)Use the Mounting Bracket (A) as a guide, mark the spots where the 4 Self Tapping Screws (B) will be drilled.
- 2)Remove the Mounting Bracket (A), drill 4 holes for 3MM diameter, install the mounting bracket onto wooden ceiling with the 4 Self Tapping Screws (B) & Washers (C).

**⚠ IMPORTANT : SCREWS MUST BE TIGHTENED TILL SNUG**



For concrete ceiling, use the percussion bit with diameter 8mm to drill holes according to the length of expansion screws. Then use the attached expansion screws to fix the hanging bracket onto the ceiling (selection is made according to actual requirements of the customers).

### STEP 2A -CONCRETE CEILING

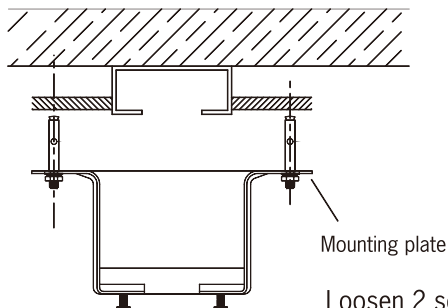
SWITCH OFF THE ELECTRICAL MAINS AT THE CIRCUIT BREAKER FUSE BOX.

- 1)Use the Mounting Bracket (A) as a guide, mark the spots where the 4 Expansion Bolts (B) will be drilled.
- 2)Remove the Mounting Bracket (A), drill 4 holes and insert 4 Expansion Bolts (2) into the concrete ceiling, install the mounting bracket and secure with Flat Washers (C), Spring Washers (D) and Nuts (E).

**⚠ IMPORTANT : SCREWS & NUTS MUST BE TIGHTENED TILL SNUG**

## 06 Assembly – Hanging the Fan(continued)

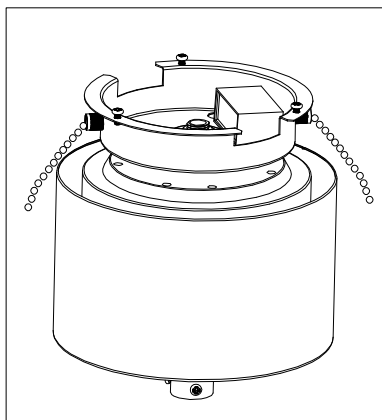
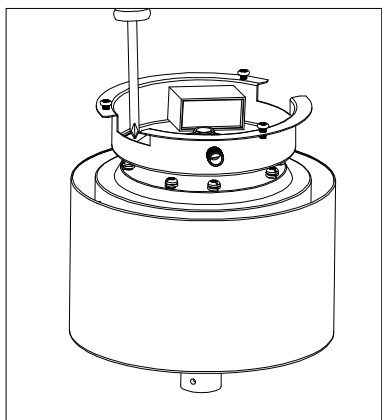
### Preparing for mounting



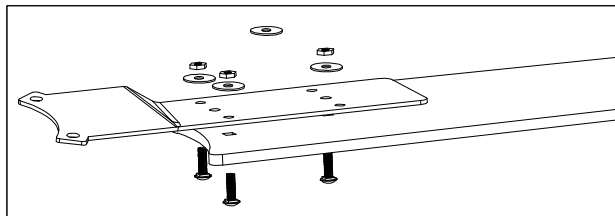
Loosen 2 screws across from each other and remove the other 2 preassembled screws from mounting plate (Corresponding to installation step 6). Save screws for later use.

### Install blades

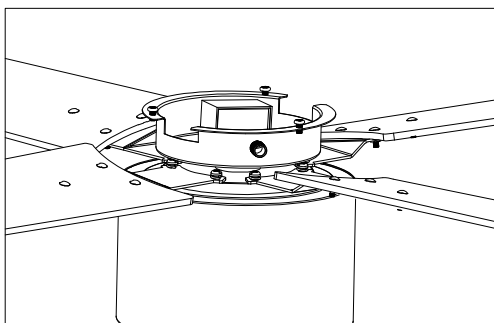
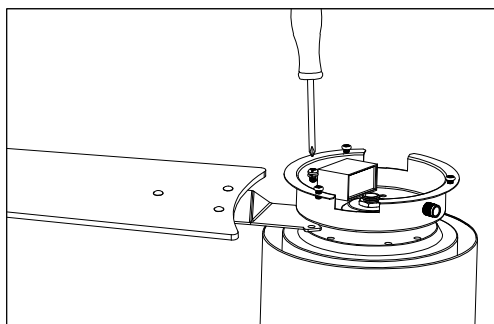
Find out the blade holes on the mainbody and loosen the corresponding screws.



**intall the blade with the blade bracket kit:find out the corresponding screws and locked them all.(see figure 6.)**

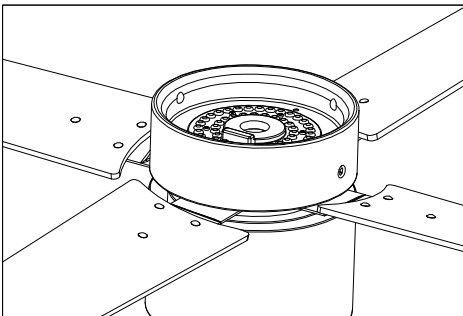
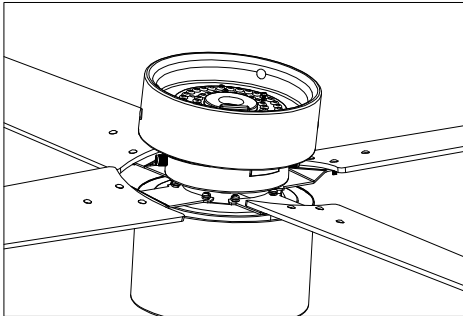
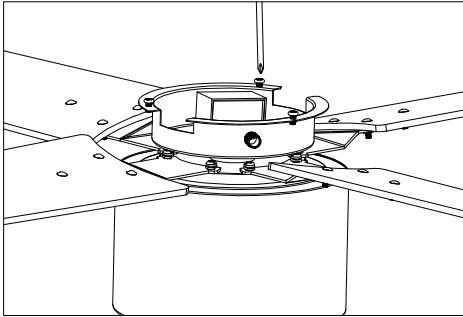


**take the blade bracket lock them into the mainbody .**



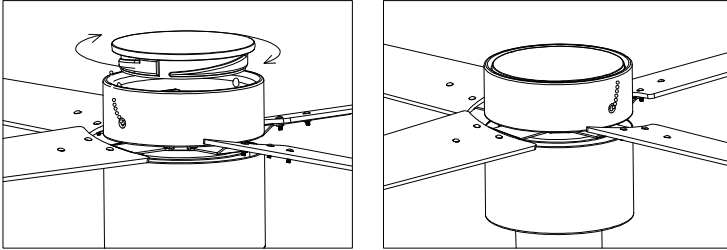
## 07 Assembly – Attaching the Lights

take out the screws from the light base, connect the power wires and then lock the light panel to it.



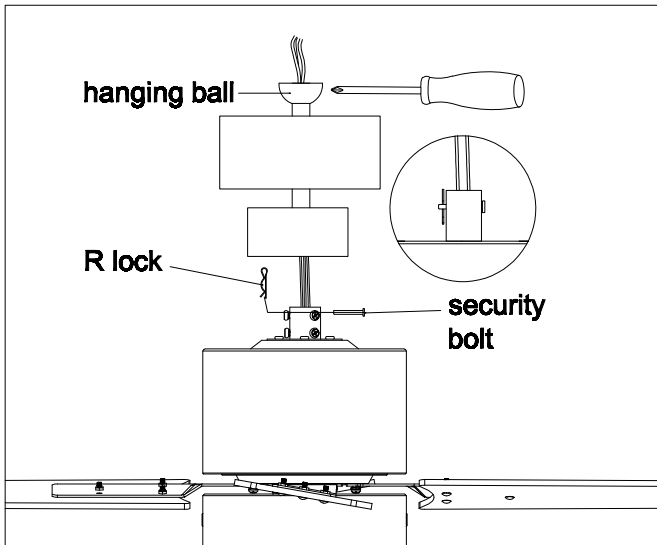
## install lampshade

Place the lampshade to the bottom groove and rotating it by clockwise direction until perfect contact



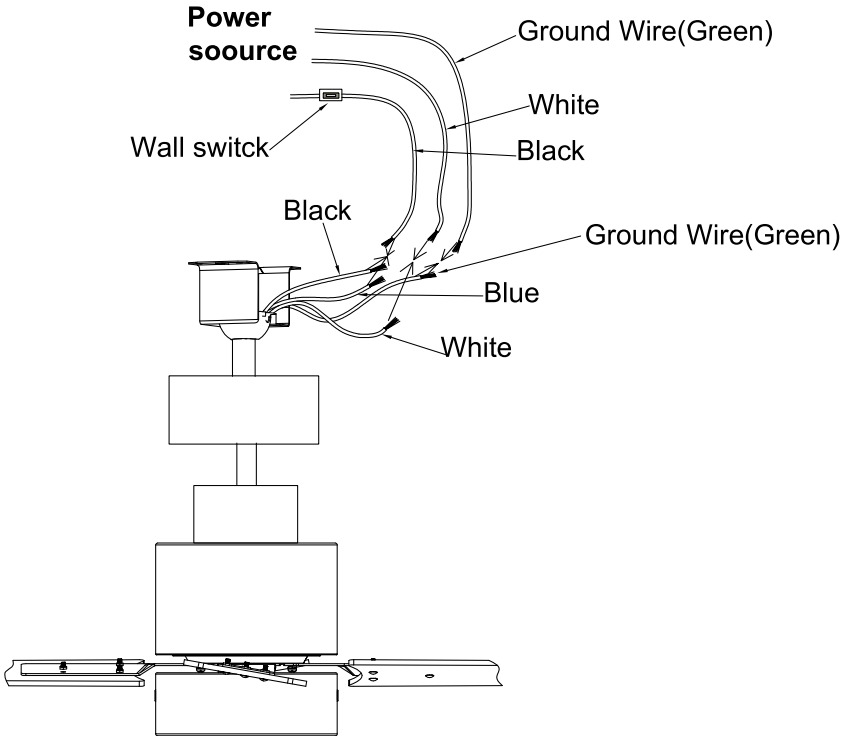
## Install canopy and downrod

Put power line through the downrod and decorative cover then connect the downrod to the mainbody. inserting the security bolt and fixed by R lock, finally tighten the screws



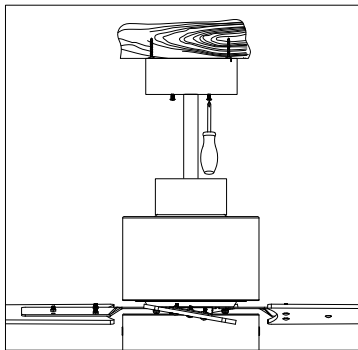
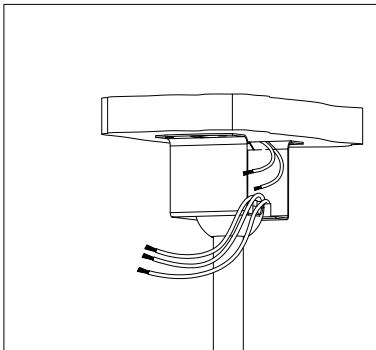
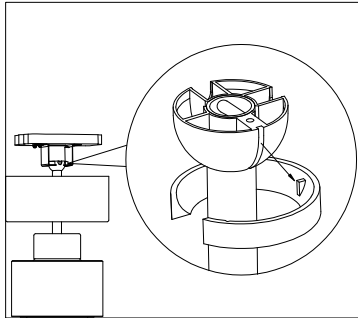
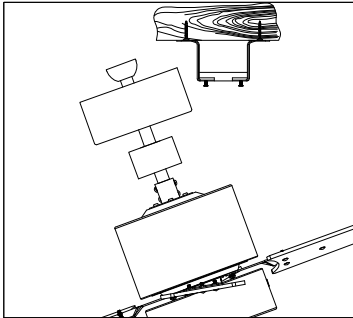
## 08) Assembly – Hanging the Fan(continued)

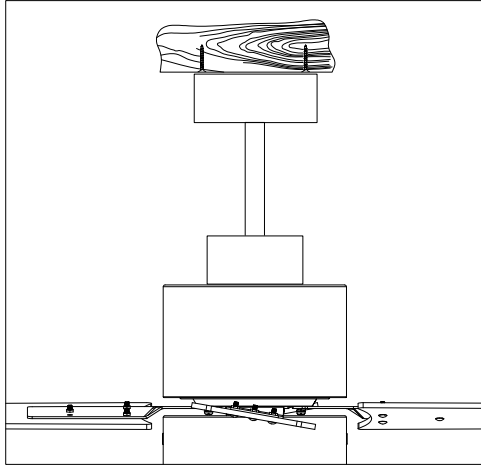
### Preparing for mounting



# Install canopy and canopy

hang the assembled ceiling fan to the mounting bracket, rotate the downrod to ensure the groove on the head of the downrod to match the salient point on the mounting bracket, then lock the canopy to the bracket






## 11) Operation

### OPERATING YOUR FAN

The appropriate speed settings for warm or cool weather depends on factors such as the room size, ceiling height and number of fans.

The slide switch  controls the direction of the blades: forward (switch down) or reverse (switch up).

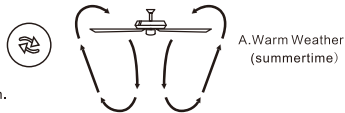


**NOTE:** Before reversing the direction of the blade rotation, please wait until the fan stops.

#### A. Warm Weather- Forward

Fan rotates anti-clockwise creating a downward airflow delivering a cooling effect.

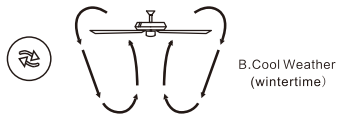
Suitable for hot weather condition or air-conditioned condition.



#### A. Winter Weather- Reverse

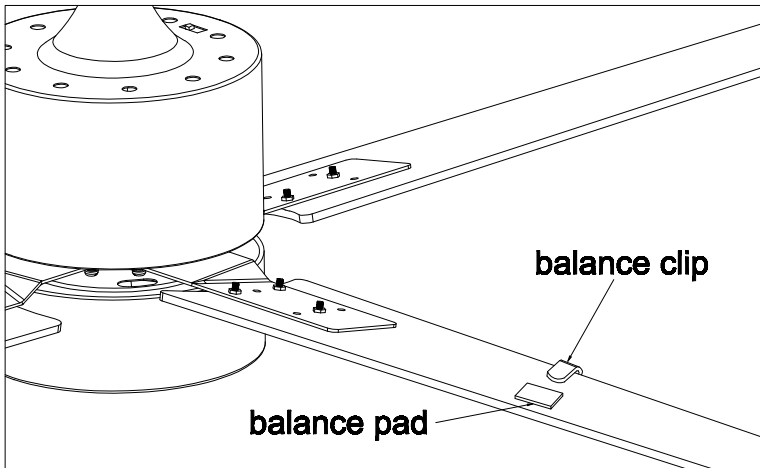
Fan rotates clockwise creating an upward airflow moving warm air off the ceiling areas. This function works best at lower fan speed.

Suitable for cold weather or air-conditioned condition.



## 12) Fans Balance

1. switch on the ceiling fan,if shake is found, switch it off and place one of the balance clips to one of the fan blades.switch on the fan again to
- 2.If there is no improvement,place the balance clip to the other blade and repeat the testing.if there is improvement, remove the clip from the blade and stick balance pad instead



## 13 Care and Cleaning



**WARNING:** Make sure the power is off before cleaning your fan.

- Because of the fan's natural movement, some connections may become loose. Check the support connections, brackets, and blade attachments twice a year. Make sure they are secure. It is not necessary to remove the fan from the ceiling.
- Clean your fan periodically to help maintain its new appearance over the years. Do not use water when cleaning, as this could damage the motor, or the wood, or possibly cause an electrical shock. Use only a soft brush or lint-free cloth to avoid scratching the finish. The plating is sealed with a lacquer to minimize discoloration or tarnishing.
- You can apply a light coat of furniture polish to the wood for additional protection and enhanced beauty. Cover small scratches with a light application of shoe polish.
- You do not need to oil your fan. The motor has permanently-lubricated sealed ball bearings.

## 14 Troubleshooting

Problem	Solution
The fan will not start.	<ul style="list-style-type: none"> <li>□ Check the main and branch circuit fuses or breakers.</li> <li>□ Check the line wire connections to the fan and switch wire connections in the switch housing.</li> </ul>
The fan is noisy.	<ul style="list-style-type: none"> <li>□ Ensure all motor housing screws are snug.</li> <li>□ Ensure the screws that attach the fan blade bracket to the motor hub are tight.</li> <li>□ Ensure the wire nut connections are not rattling against each other or the interior wall of the switch housing.</li> <li>□ Allow a 24-hour "breaking in" period. Most noises associated with a new fan disappear during this time.</li> <li>□ If you are using the Ceiling Fan light kit, ensure the screws securing the glassware are tight. Check that the light bulbs are also secure.</li> <li>□ Ensure the canopy is a short distance from the ceiling. It should not touch the ceiling.</li> <li>□ Ensure your outlet box is secure and rubber isolator pads were used between the mounting plate and outlet box.</li> </ul>
The fan wobbles.	<ul style="list-style-type: none"> <li>□ Please check and follow the instructions: Chapitre No.13 Fan balance on page 12.</li> </ul>