

NOTICE

*Please make sure that you have all parts indicated and they are in good condition before you begin assembly of this item. Refer to part list and hardware list below for guidance.

*This item should be assembled on a soft surface to prevent scratching the finish during assembly.

*This item may require periodic tightening.

PREPARATION

*Before beginning assembly of product, make sure all parts are present. Compare parts with part contents list and hardware contents list.

*If any part is missing or damaged, do not attempt to assemble the product.

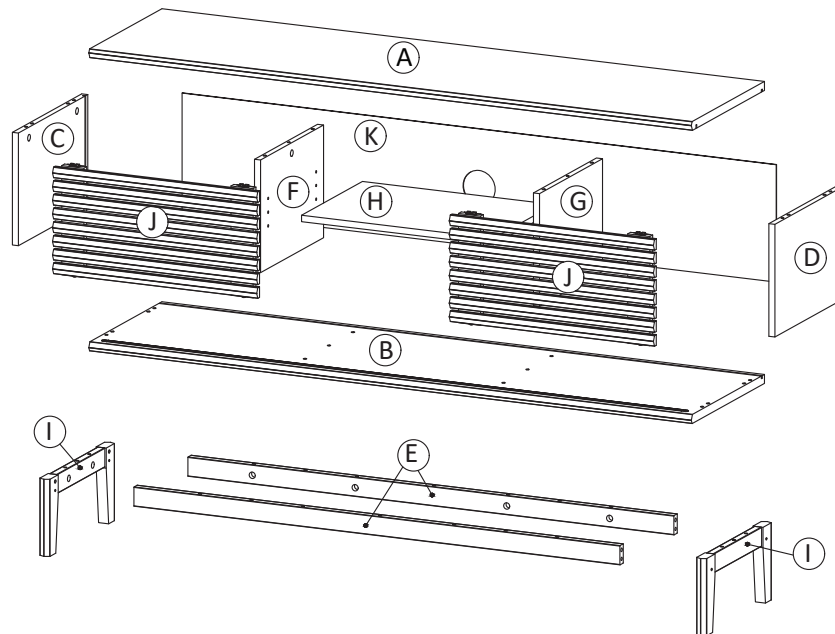
*Estimated Assembly Time: 60 minutes.

*Tools Required for Assembly (included): Allen Key

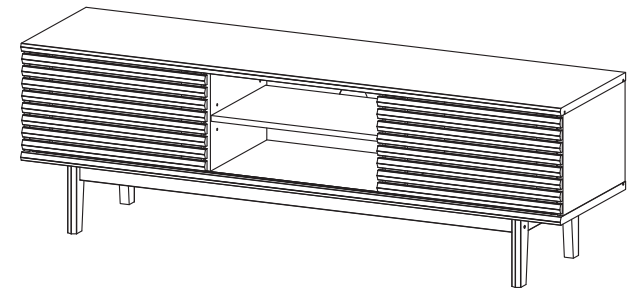
CARE AND MAINTENANCE

Always use felt pads under all articles to prevent discoloration or softening of the lacquer. Plastic and rubber bases on items can discolor wood. Wipe up spills immediately and avoid common hazards such as hot dishes, harsh solvents and abrasives. Cleaning should be done with a soft lint free cotton cloth dampened with water or furniture polish. On highly used surfaces we recommend applying a quality paste wax which should be used on a regular basis to provide additional protection from scratches and spills. How often you apply the wax depends on how much wear the furniture receives.

Part List



Product Dimensions: 59"Wx15"Dx20"H



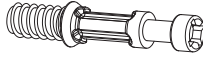
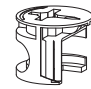

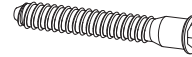


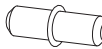

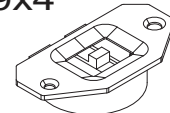
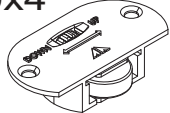




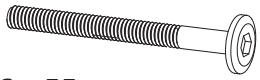
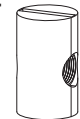
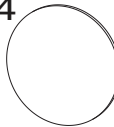
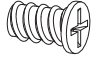

WARNING :

WEIGHT CAPACITY: 84 LBS.

Warning : Do not stand on media stand.

Warning : Do not over torque bolts.

Hardware List

<p>HW1x18</p>  <p>∅ 6 x 35 mm</p>	<p>HW2x18</p>  <p>∅ 15 mm</p>	<p>HW3x28</p>  <p>∅ 8 x 30 mm</p>	<p>HW4x6</p>  <p>M 7 x 50 mm</p>	<p>HW5x2</p> 
<p>HW6x6</p>  <p>∅ 15 mm</p>	<p>HW7x4</p> 	<p>HW8x16</p>  <p>M 3.5 x 13 mm</p>	<p>HW9x4</p> 	<p>HW10x4</p> 
<p>HW11x8</p> 	<p>HW12x8</p>  <p>M 3.5 x 15.5 mm</p>	<p>HW13x4</p> 	<p>HW14x3</p> 	<p>HW15x4</p>  <p>M 6 x 55 mm</p>
<p>HW16x4</p> 	<p>HW17x4</p>  <p>∅ 20 mm</p>	<p>HW18x10</p>  <p>M 6 x 12.5 mm</p>	<p>HW US90x1</p> 	

Part List & HW For Multi-Box Items

Piece	Description	Qty
A	Top Board	1
B	Bottom Board	1
C	Side Board Left	1
D	Side Board Right	1
E	Bottom Skirt	2
F	Center Board Left	1
G	Center Board Right	1
H	Adjustable Shelf	1
I	Assembly Leg	2
J	Door	2
K	Back Board	1

Piece	Description	Qty
HW1	Cambolt	18
HW2	CamLock	18
HW3	Dowel	28
HW4	Screw M 7 x 50 mm	6
HW5	Allen Key	2
HW6	Screw Cap	6
HW7	Shelf Pin	4
HW8	Screw M 3.5 x 13 mm	16
HW9	Sliding Top	4
HW10	Sliding Bottom	4
HW11	Wedge	8
HW12	Screw M 3.5 x 15.5 mm	8
HW13	Floor Protector	4
HW14	Silicon Bumper	3
HW15	Screw M 6 x 55 mm	4
HW16	Cross Dowel	4
HW17	Sticker	4
HW18	Screw M 6 x 12.5 mm	10
HW US90	Anti-Deflection Bar	1

PREPARATION

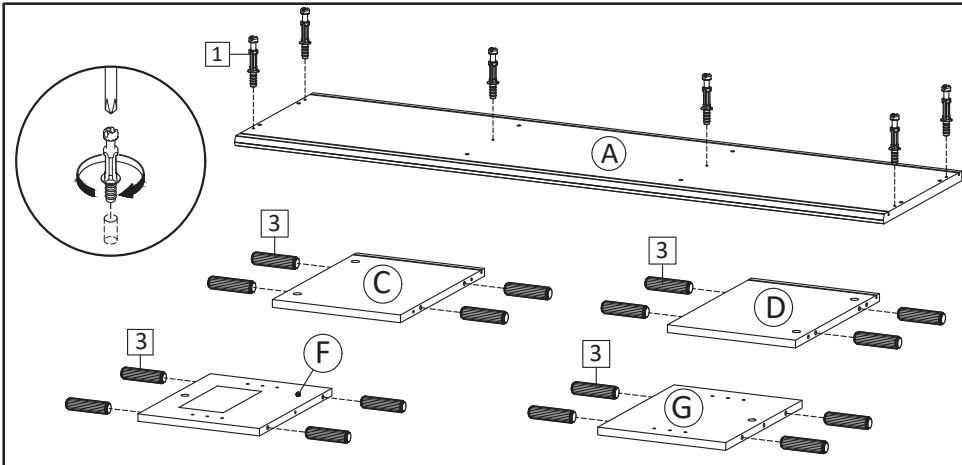
*Before beginning assembly of product, make sure all parts are present. Compare parts with part contents list and hardware contents list.

*If any part is missing or damaged, do not attempt to assemble the product.

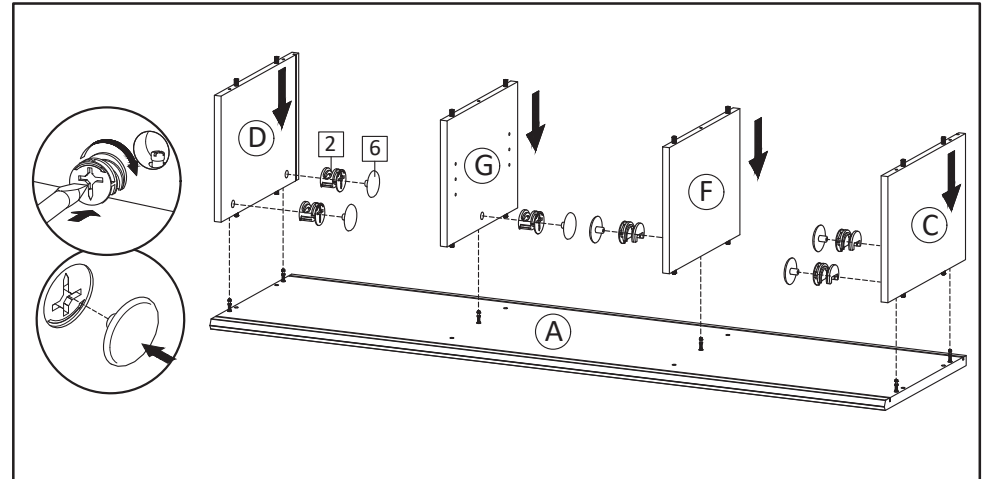
*Estimated Assembly Time: 60 minutes.

*Tools Required for Assembly (included): Allen Key

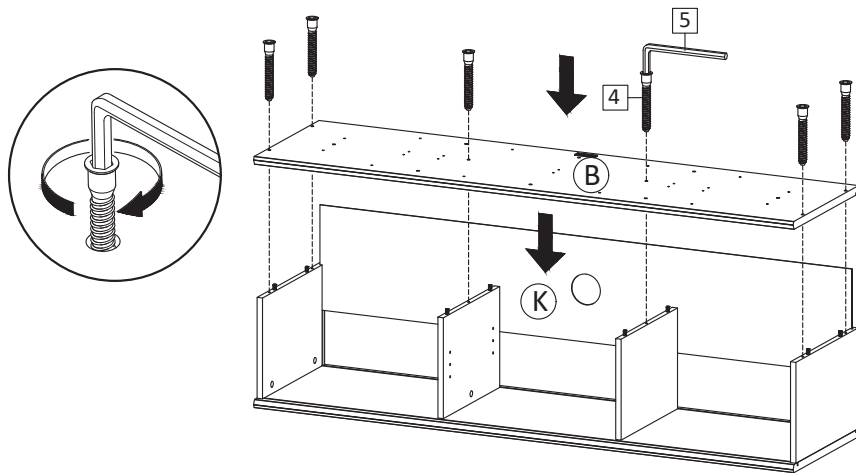
*If you are having difficulty, our friendly Customer Care team is always here to help. Please email customersupport@safavieh.com



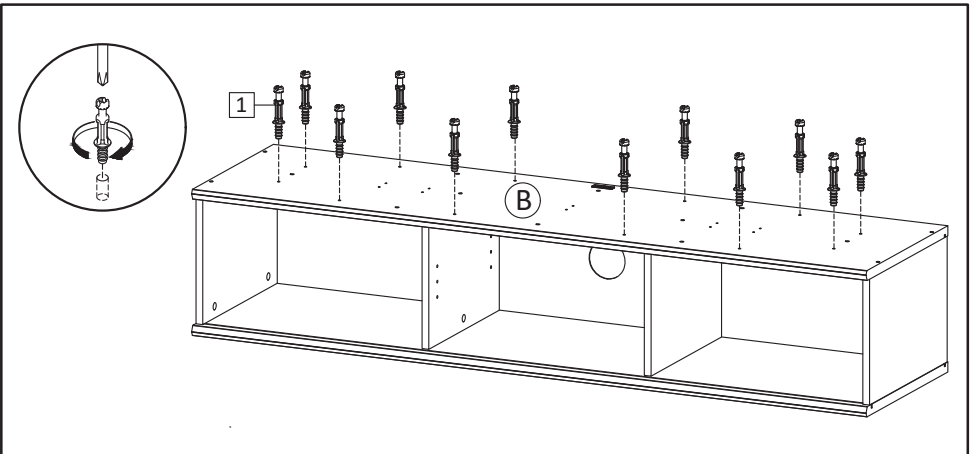
STEP1: Insert Cambolt (HW1) into Top Board (A) . Insert Dowel (HW3) into Side Board Left & Side Board Right (C&D) and Center Board Left (F), Center Board Right (G).



STEP2: Attach Side Boards (C&D) and Center Board (F&G), into Top Board (A) . Insert Camlock (HW2) then tighten using screwdriver. Put Screw Cap (HW6) over the camlock.



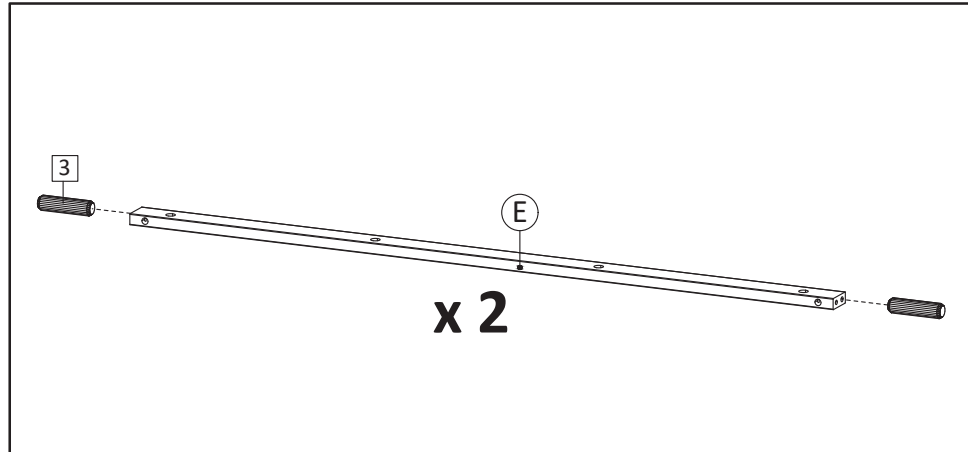
Step3: Insert Back Boards (K) as figure. Put Bottom Board (B) and secure with Screw M7x50 mm (HW4), tighten screws using Allen Key (HW5).



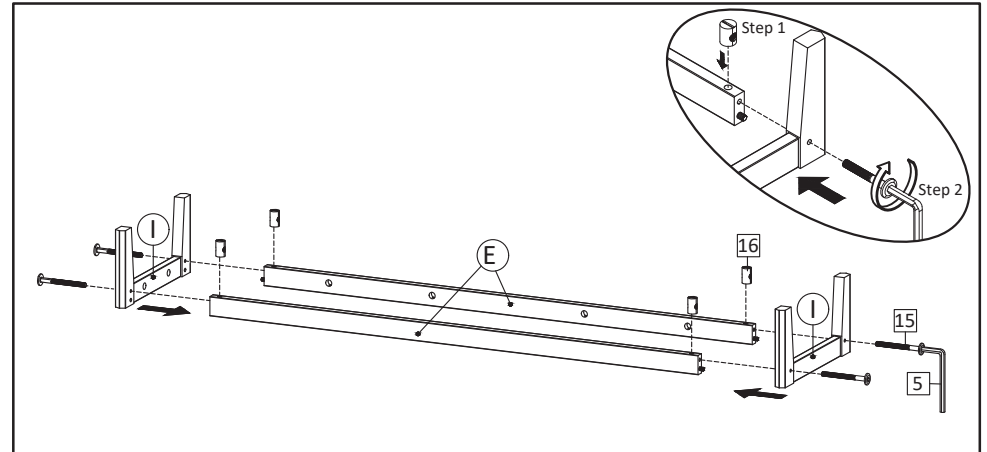
STEP4: Insert Cambolt (HW1) into Bottom Board (B) as figure.

PREPARATION

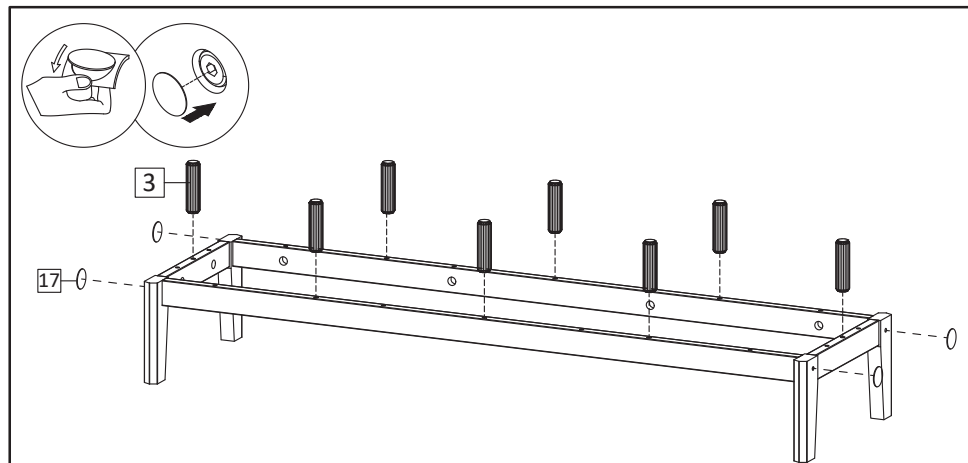
- *Before beginning assembly of product, make sure all parts are present. Compare parts with part contents list and hardware contents list.
- *If any part is missing or damaged, do not attempt to assemble the product.
- *Estimated Assembly Time: 60 minutes.
- *Tools Required for Assembly (included): Allen Key
- *If you are having difficulty, our friendly Customer Care team is always here to help. Please email customersupport@safavieh.com



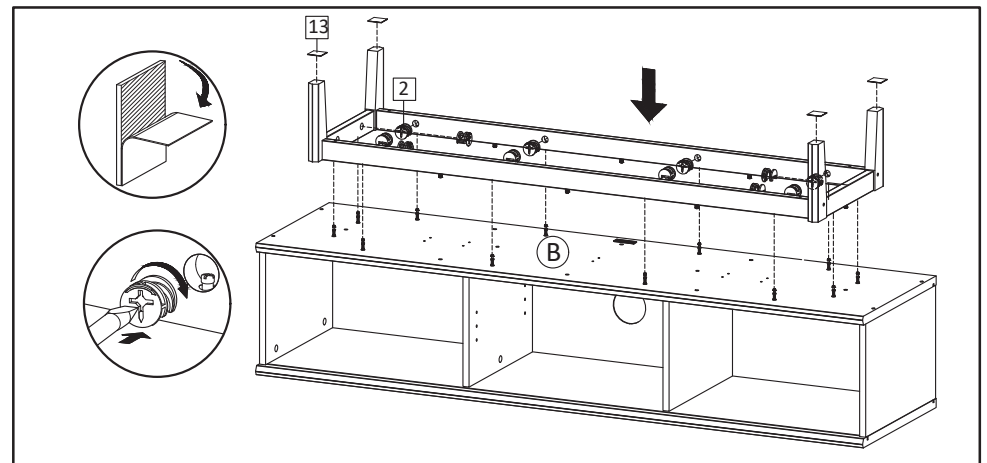
STEP5: Insert Dowel (HW3) into Bottom Skirt (E).



STEP6: Insert the Cross Dowel (HW16) into Bottom Skirt (E). Combine the Assembled Leg (I) and Bottom Skirt (E) together as picture. Insert Screw M6x55mm (HW15) through the hole in Assembled Leg to the Bottom Skirt, then tighten the screw.



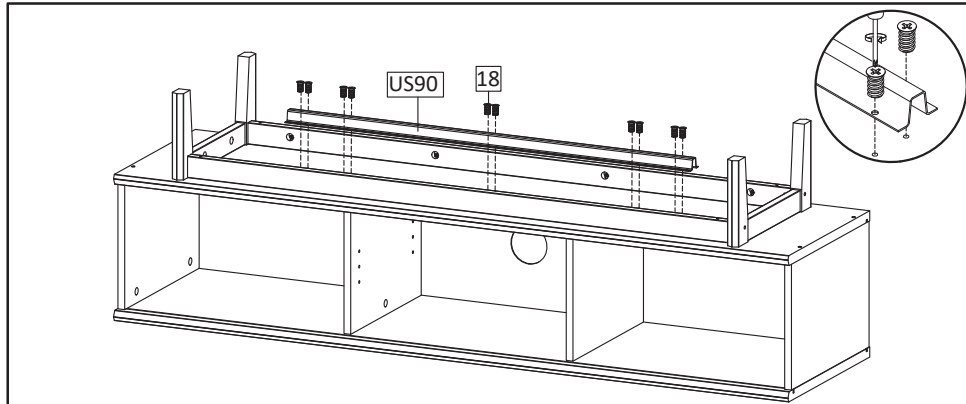
STEP7: Insert Dowel (HW3) after the legs are assembled in step 6, attach Sticker (HW17) to the screw hole as figure.



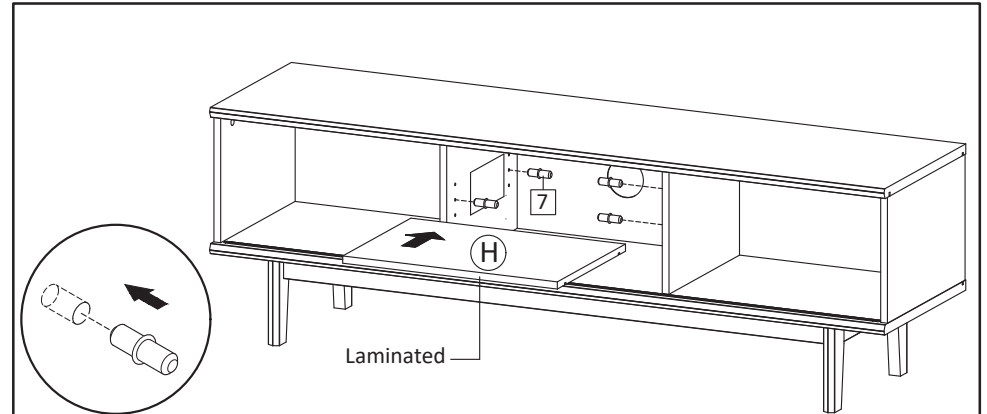
STEP8: Attach the legs are assembled into Bottom Board (B). Insert Camlock (HW2) then tighten using screwdriver. Attach Floor Protector (HW13) into Leg as figure.

PREPARATION

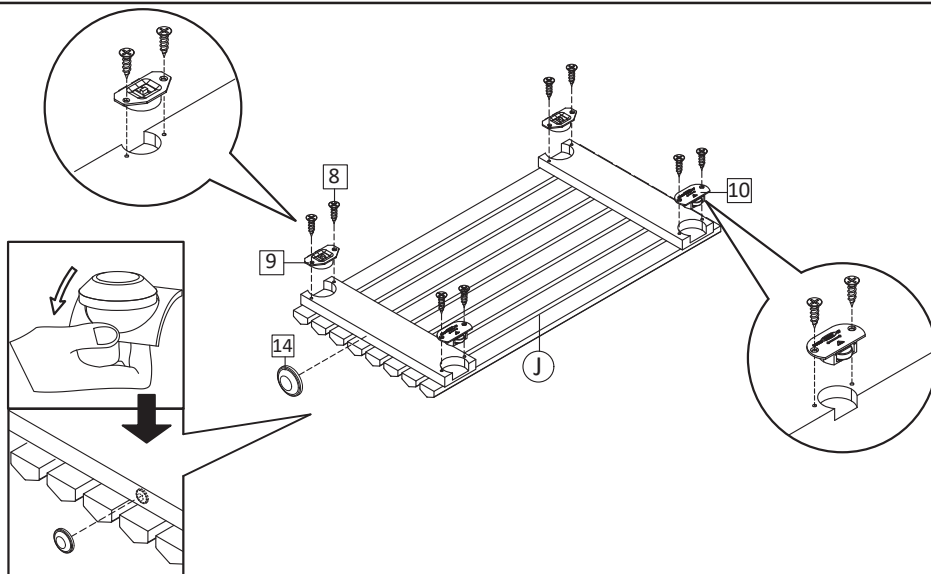
- *Before beginning assembly of product, make sure all parts are present. Compare parts with part contents list and hardware contents list.
- *If any part is missing or damaged, do not attempt to assemble the product.
- *Estimated Assembly Time: 60 minutes.
- *Tools Required for Assembly (included): Allen Key
- *If you are having difficulty, our friendly Customer Care team is always here to help. Please email customersupport@safavieh.com



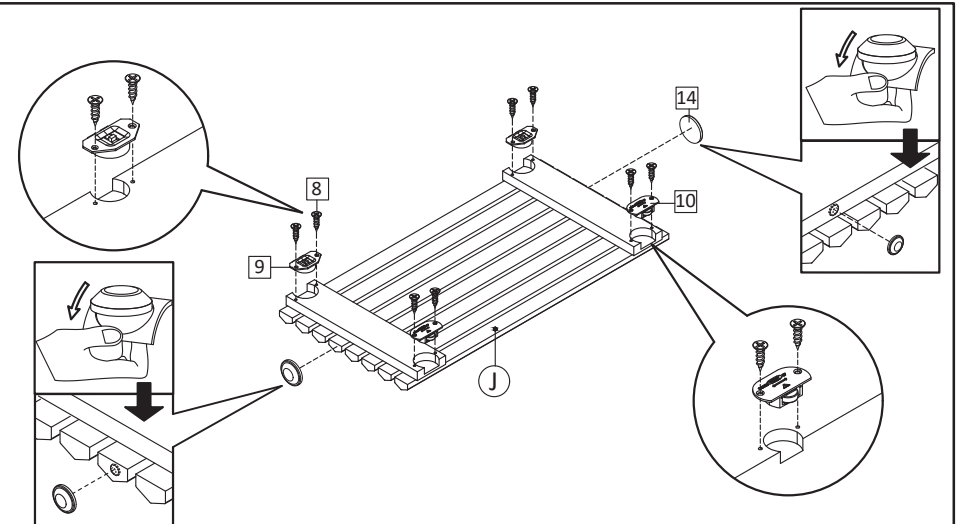
STEP9: Insert Anti-Deflection Bar (HWUS90) using Screw M6x12.5mm (HW18) into Bottom Board (B).



STEP10: Insert Shelf Pin (HW7) into the holes on Center Boards, on the desired level. Then place the Adjustable Shelf (H) by inserting the grooved line on the shelf into the shelf support.



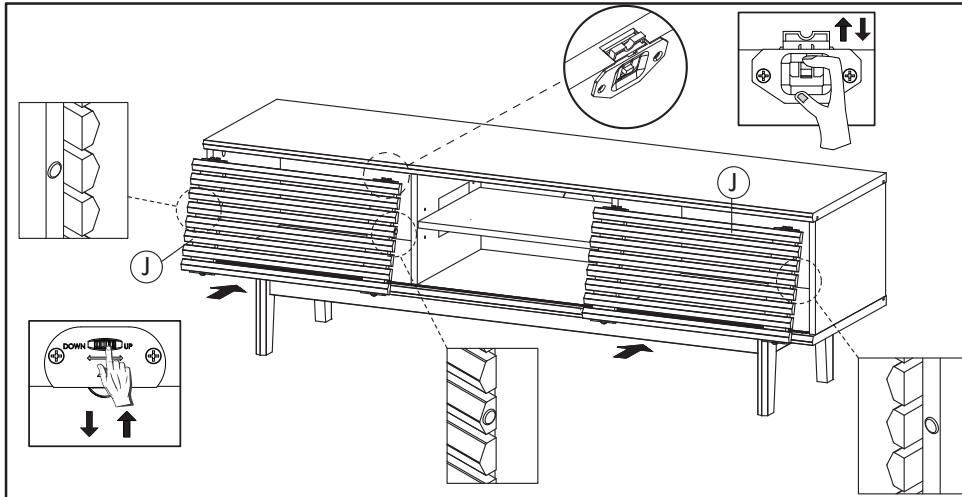
STEP11: Peel the back paper of Bumper (HW14) then attach on 1 of the Door with position as shown in the figure. Insert Sliding Top (HW9) and Sliding Bottom (HW10) using Screw M3.5x13mm (HW8) into Door (J).



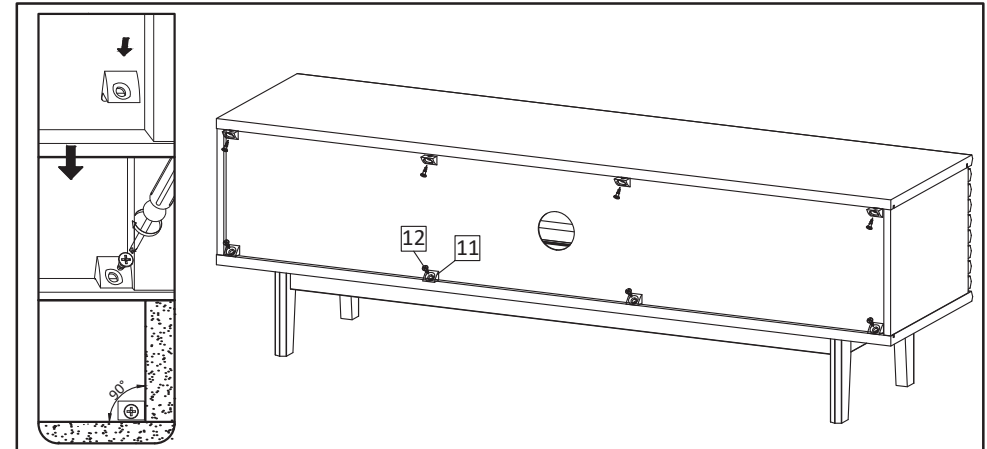
STEP12: The other Door frame will have 2 pcs of Bumper (HW14), peel the back paper of it then attach on the Door. Please see different position of bumper on each side is needed. position as shown in the figure. Insert Sliding Top (HW9) and Sliding Bottom (HW10) using Screw M3.5x13mm (HW8) into Door (J).

PREPARATION

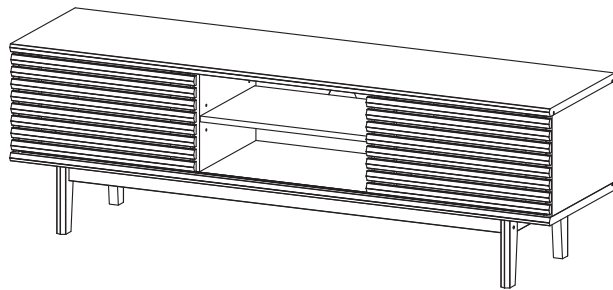
- *Before beginning assembly of product, make sure all parts are present. Compare parts with part contents list and hardware contents list.
- *If any part is missing or damaged, do not attempt to assemble the product.
- *Estimated Assembly Time: 60 minutes.
- *Tools Required for Assembly (included): Allen Key
- *If you are having difficulty, our friendly Customer Care team is always here to help. Please email customersupport@safavieh.com



Step13: Install the door by inserting the Sliding Top (HW9) pin into the groove line of Top Board. Position the Sliding Bottom (HW10) into the grooved sliding track. Adjust gap of the door, by scroll the button on Sliding Roller (HW10). Follow the down and up direction. Slide the door to right and let ensuring the door has been placed properly in the provided track.



STEP14: Use Wedge (HW11), Screw M3.5x15.5mm (HW12) to tighten the back of media stand by using screwdriver. Please align the top board and bottom board in 90° position against the side board, before securing the wedges (HW11).



STEP15: Assembly is complete.

TIPPING RESTRAINTS KIT INSTALLATION GUIDANCE

Different wall materials require unique wall fasteners.

The wall plugs (AA2) and screws (AA3) are designed for fixing to concrete walls only.

Please consult your local hardware store to ensure you are using the correct hardware for your wall type.

