

# INSTALLATION GUIDE

## WARNINGS AND CAUTIONS

Released Date:2025-08

### READ AND SAVE THESE INSTRUCTIONS

Please read and understand this entire manual before attempting to assemble, install or operate the product.

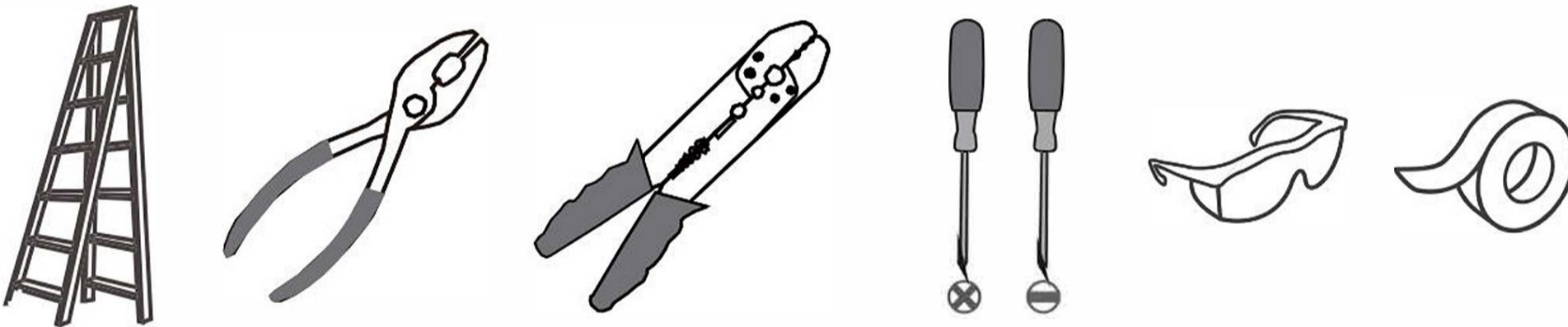
#### WARNING

- RISK OF ELECTRIC SHOCK - Before beginning installation, turn off electricity at the circuit breaker box or the main fuse box.
- RISK OF FIRE - Use bulbs specified by the markings and/or labels on the fixture.

#### CAUTION

- For your safety, read instructions completely before beginning installation.
- If in doubt about electrical installation, consult a licensed electrician.
- Turn off electricity to fixture before replacing the bulb(s).

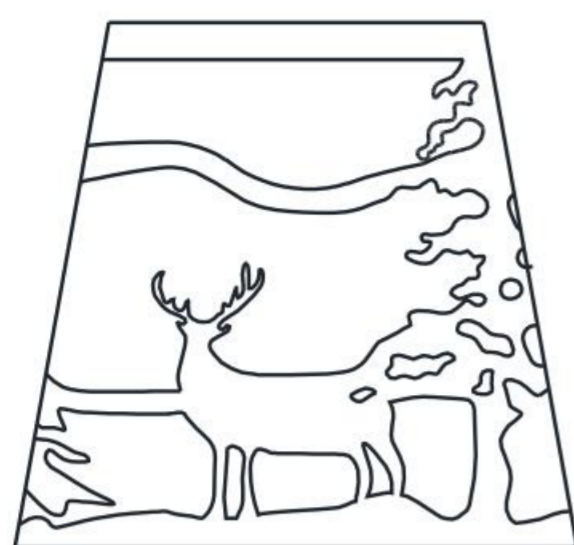
#### TOOLS REQUIRED



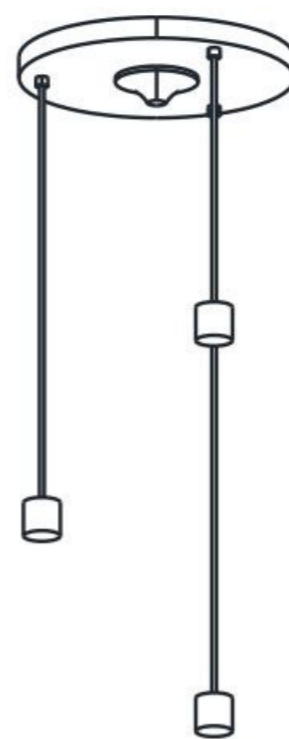
#### CARE AND MAINTENANCE

- Wipe clean using soft, dry cloth or static duster. Always avoid using harsh chemicals and abrasives to clean fixture as they may damage the finish.

## PACKAGE CONTENTS



**A** Metal Lampshade  
x 3

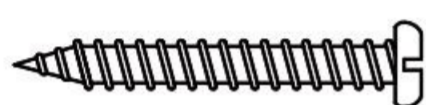


**B** Fixture Body  
x 1

## PACKAGE CONTENTS (PARTS BAG 1)



**AA** Wire Connector  
x 4



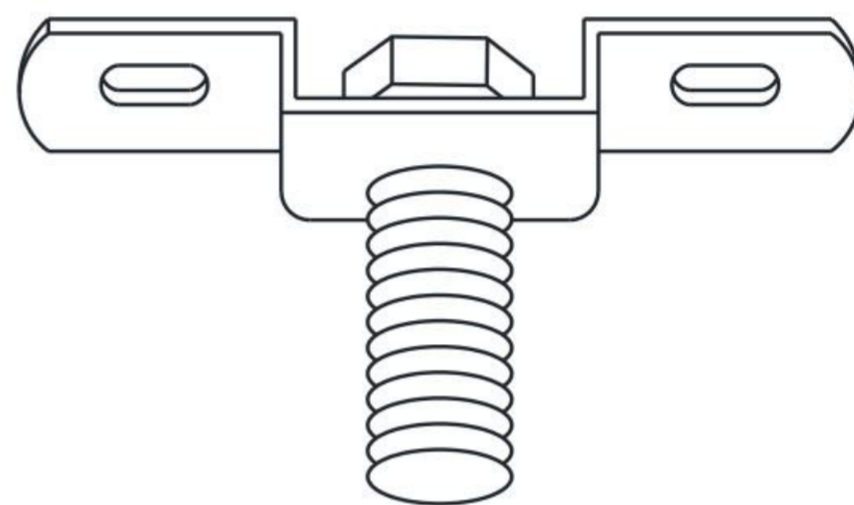
**BB** Screw  
x 4



**CC** Wall Anchor  
x 4



**DD** Mechanical Screw  
x 2

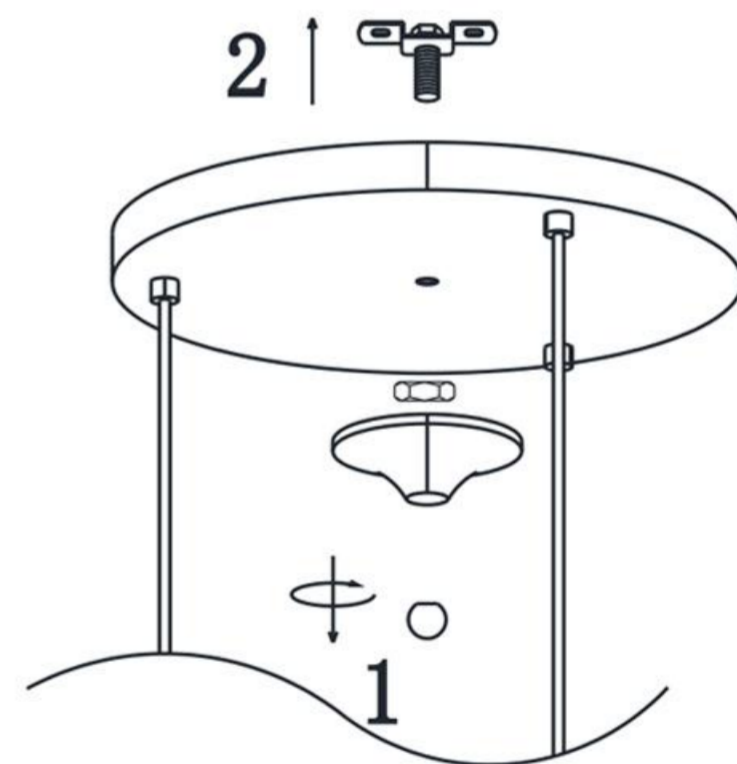


**EE** Mounting Bracket  
x 1

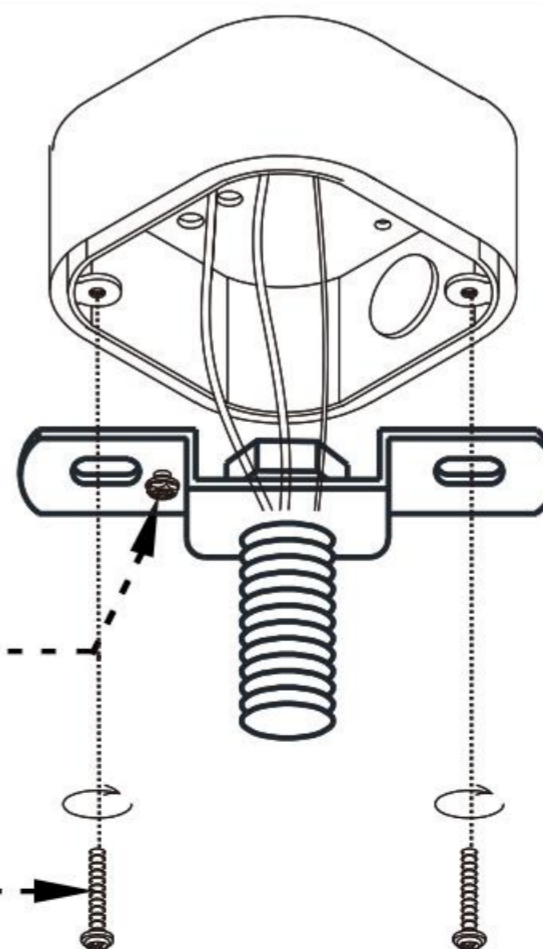
## INSTALLATION

**1**

1. Unscrew the round nut
2. Remove the iron bell cover and unscrew the nut
3. Take out the mounting bracket



## **2** Install the Mounting Bracket

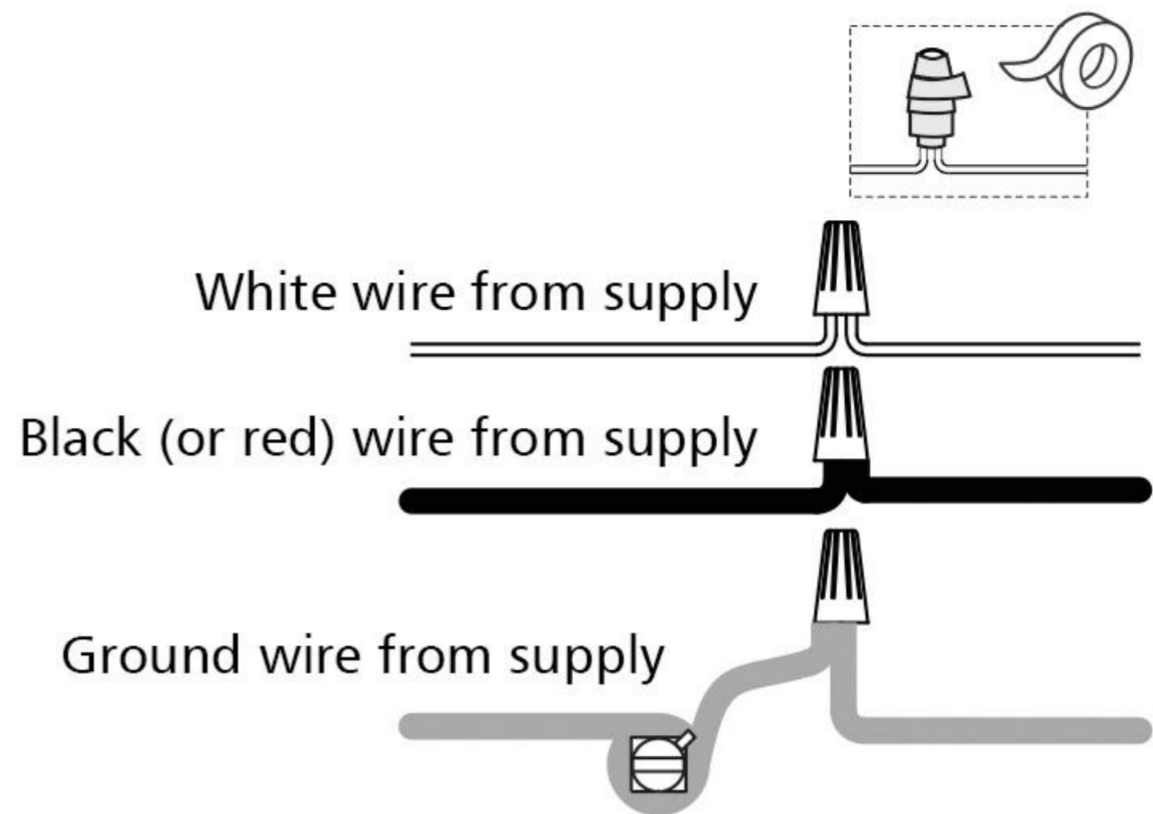
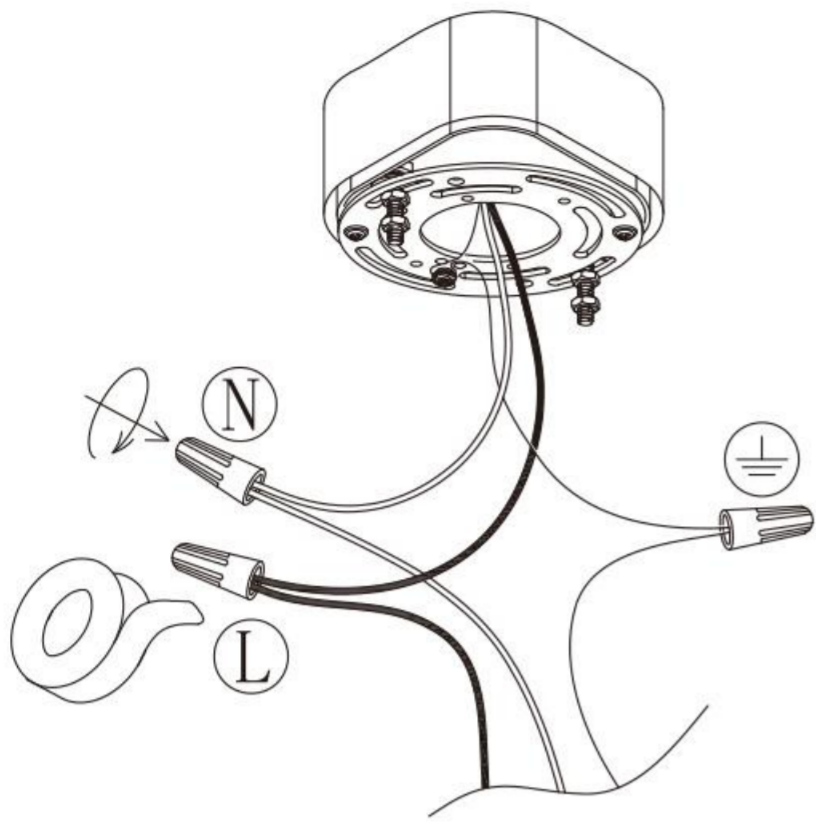


Ground Screw

Secure the Mounting Bracket  
onto the box with screws taken  
off or Outlet Box Screws.

# INSTALLATION

## 3 Wiring

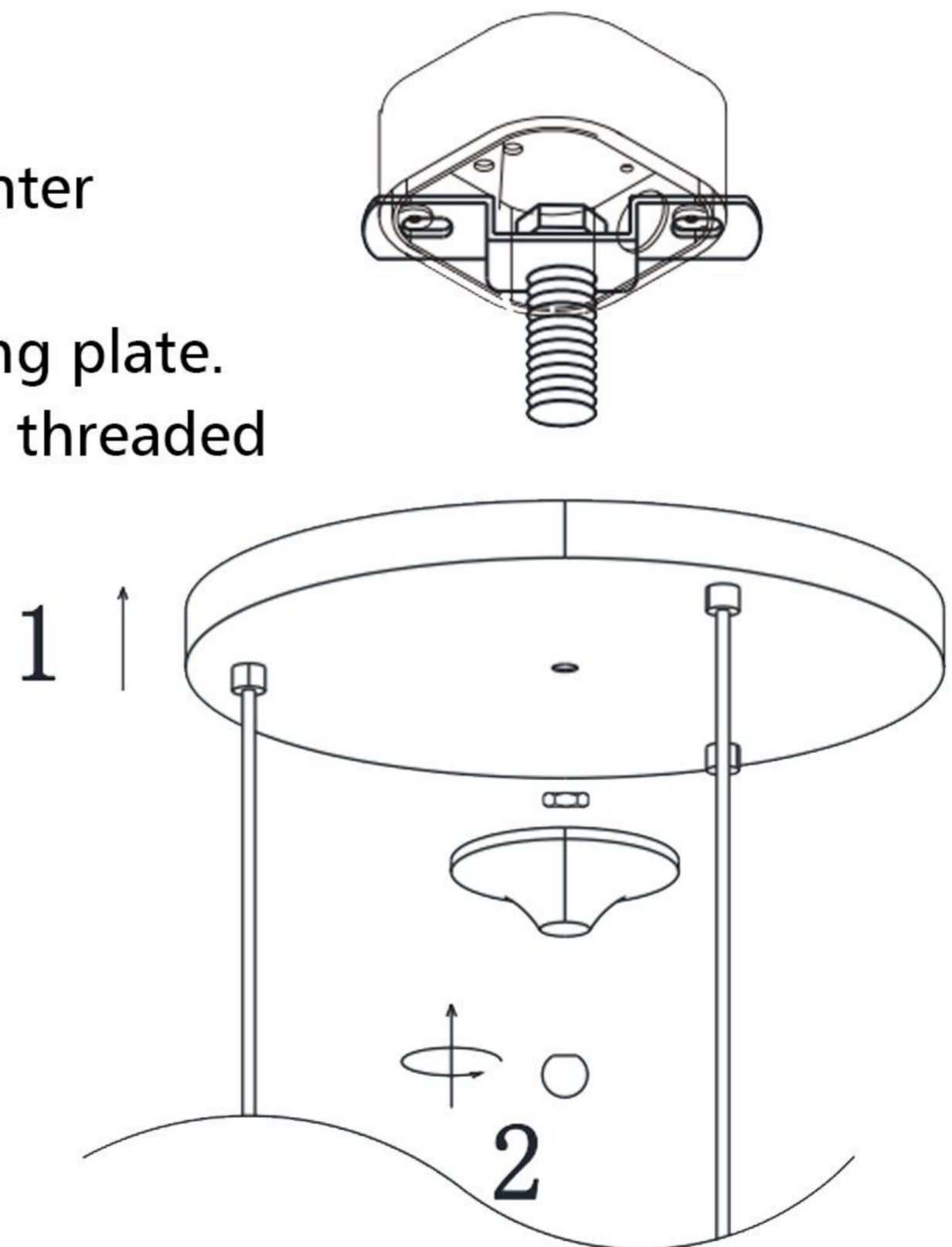


**Step 1:** Connect the wires from the fixture to the house supply wires nuts, ground wire (green, green/yellow, or bare) to ground wire, neutral wire(white)to neutral wire, and hot wire (black) to hot wire. Wrap the connection with electric tape.

**Step 2:** Spread apart the wires so that the hot wires are on one side of the outer box and the neutral wires are on the other side.

## 4

1. Align the center hole of the ceiling plate with the threaded pipe in the center of the mounting bracket.
2. Screw on the nut to secure the ceiling plate.
3. Place the bell-shaped cover over the threaded pipe of the mounting bracket.
4. Screw on the round nut to secure the bell-shaped cover.



# INSTALLATION

- 5** 1. Insert the lampshade into the lamp holder
- 2. Screw the socket ring onto the lamp holder to secure the shade
- 3. Install 3 × E26 bulbs

