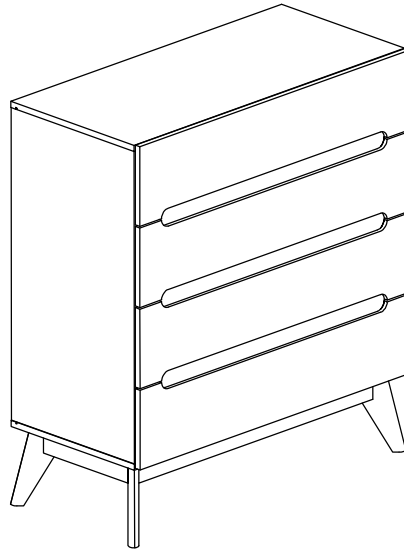
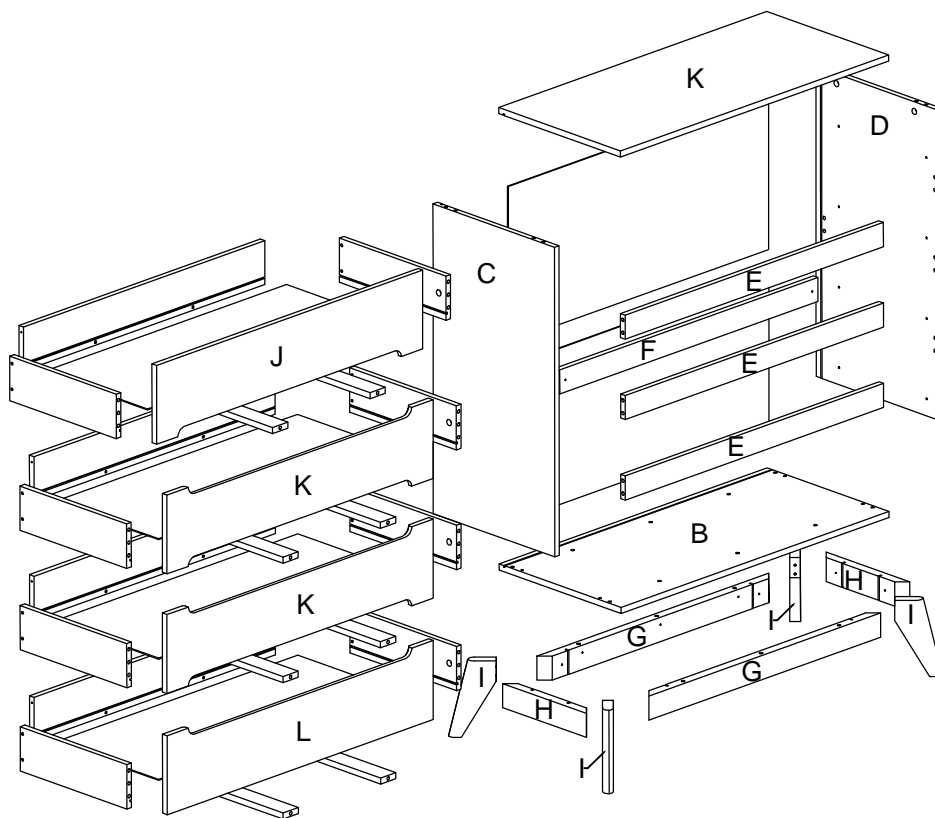


# Assembly Instruction







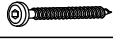
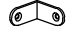



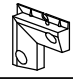
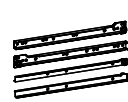

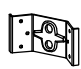
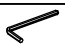
## PART LIST



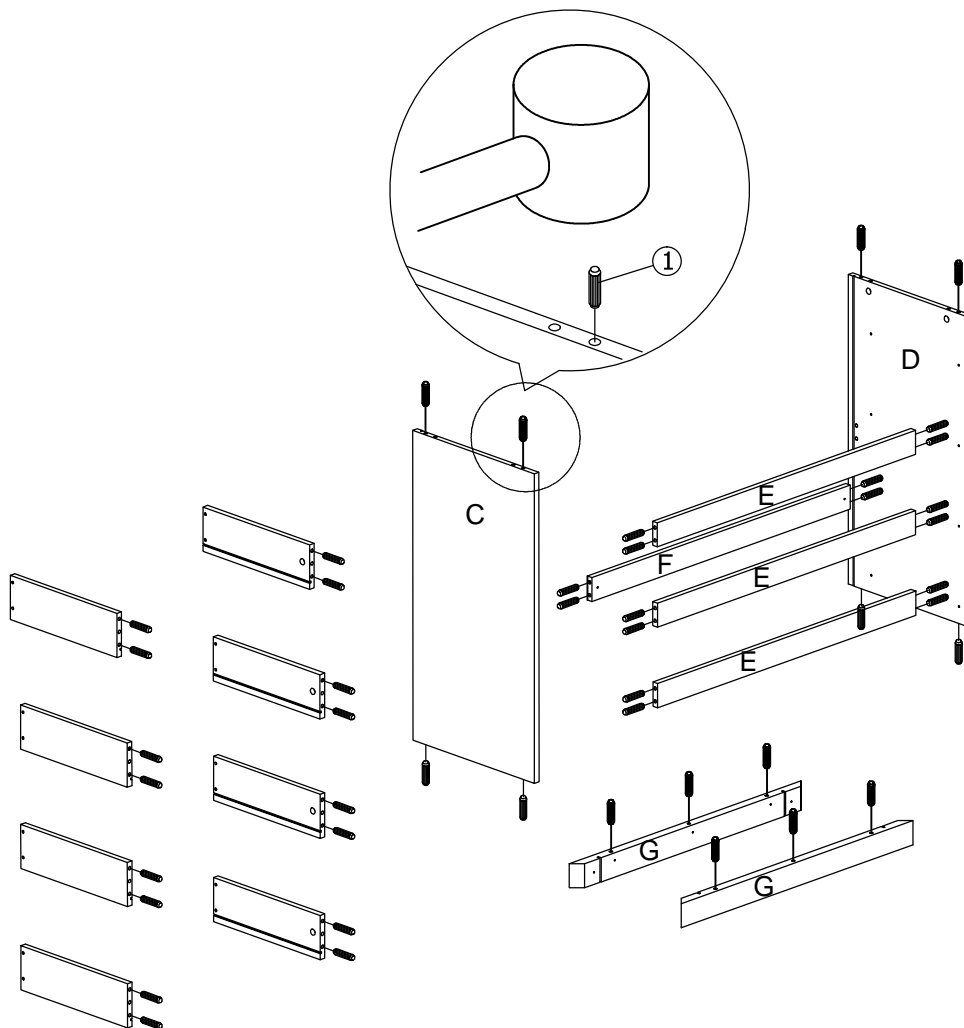
# Assembly Instruction

## Hardware List

No.	SHAPE	DESCRIPTION	Qty.
1		8x25mm Wood Dowel	46Pcs
2		15MM Myfix Minifix	20Sets
3		M5x8mm Screw (Euro Screw)	16Pcs
4		M3x16mm Screw	8Pcs
5		M3.5x15mm Screw	72Pcs
6		M4x38mm Screw	28Pcs
7		Jcbc 'W' M6 x 40mm	8Pcs
8		L Bracket	16Pcs

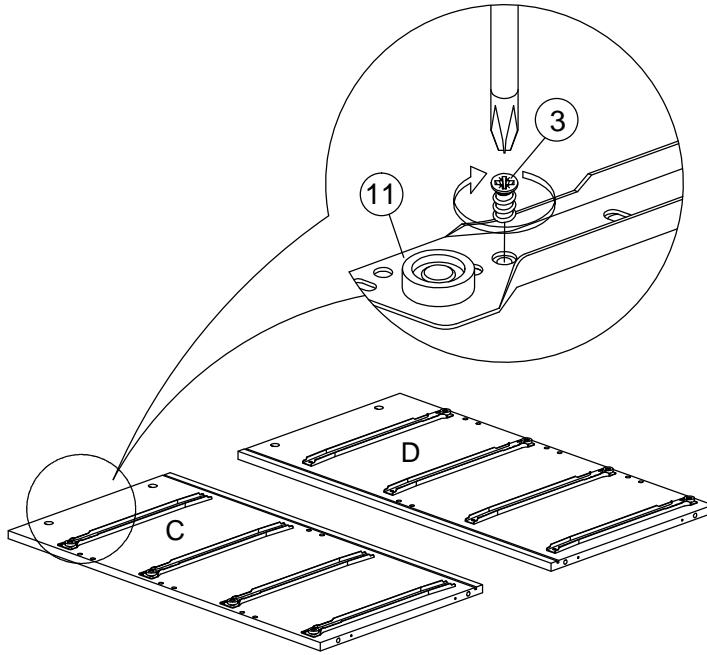
9		Nail Leg	4Pcs
10		Z Bracket (Big)	4Pcs
11		Metal Drawer Slide 14" (350mm)	4Sets
12		Minifix Cap	8Pcs
13		Metal Corner Bracket	4Pcs
14		L Key	1Pc

## STEP 1

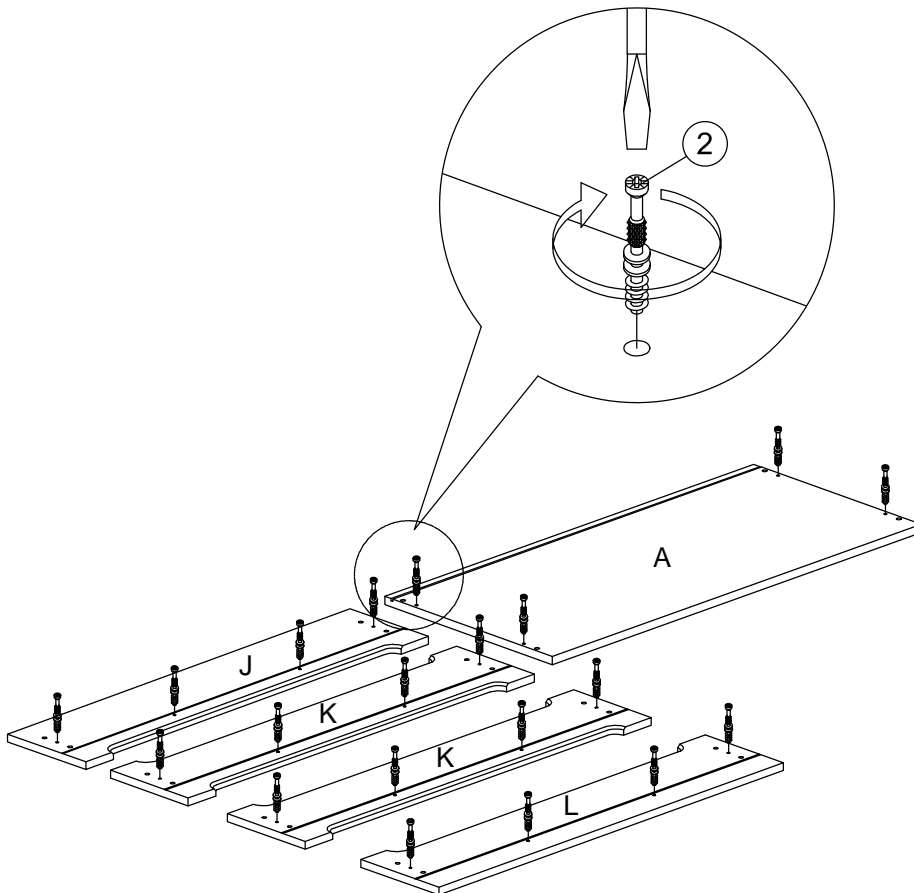


# Assembly Instruction

## STEP 2

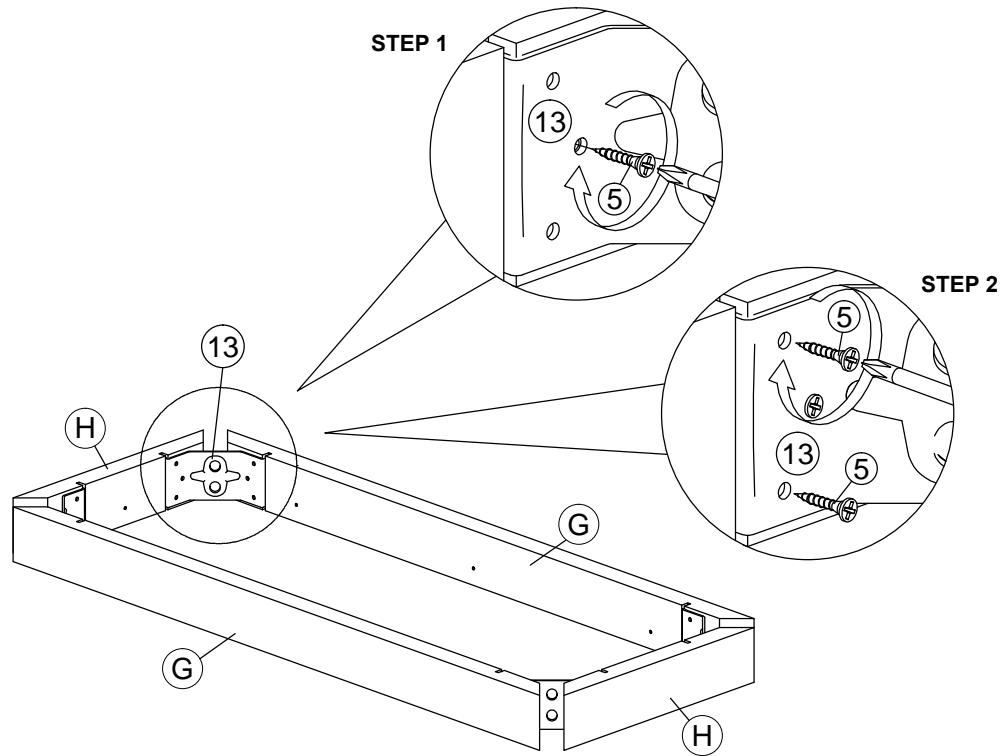


## STEP 3

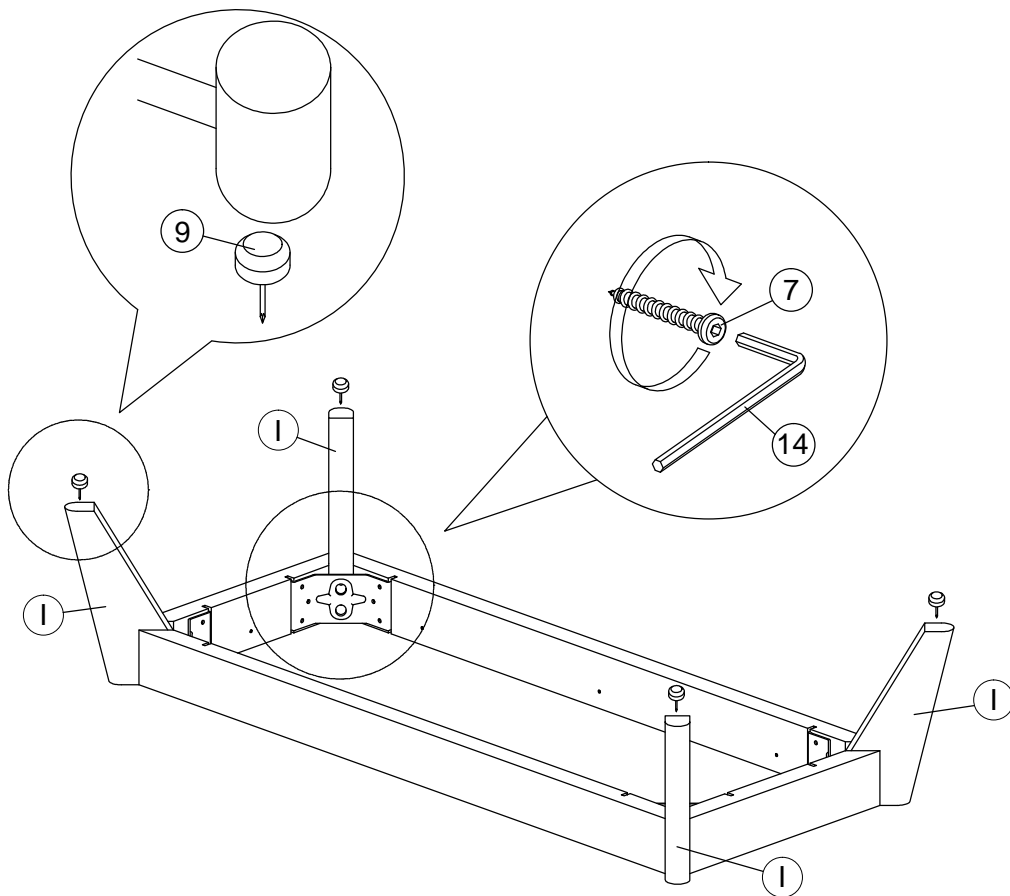


# Assembly Instruction

## STEP 4

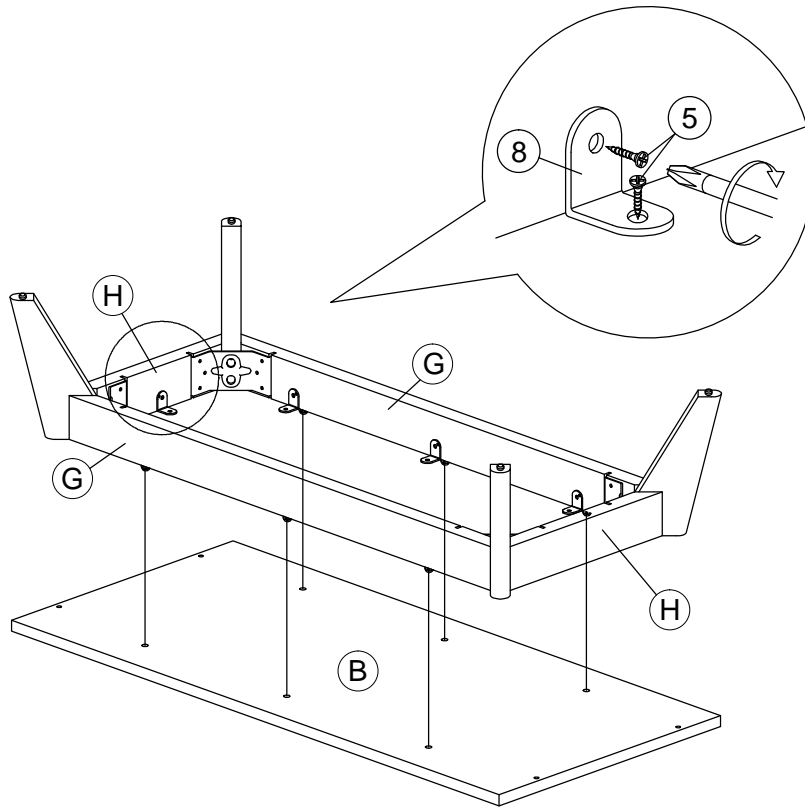


## STEP 5

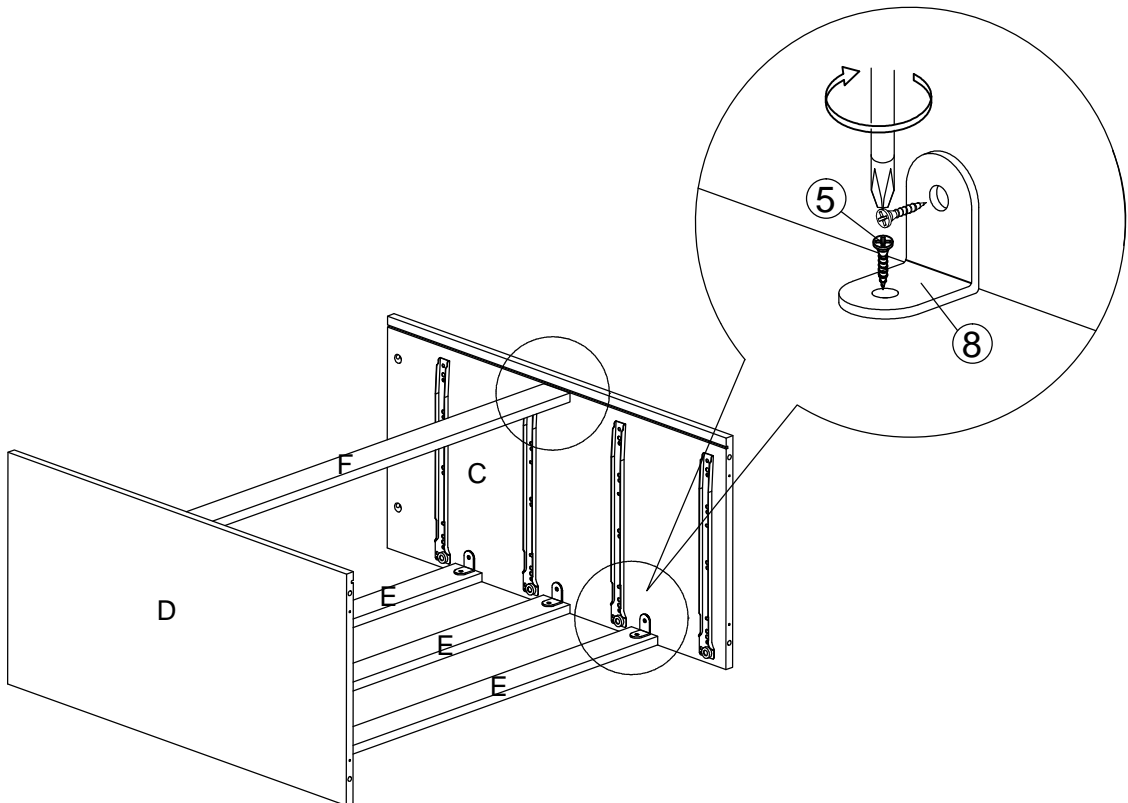


# Assembly Instruction

## STEP 6

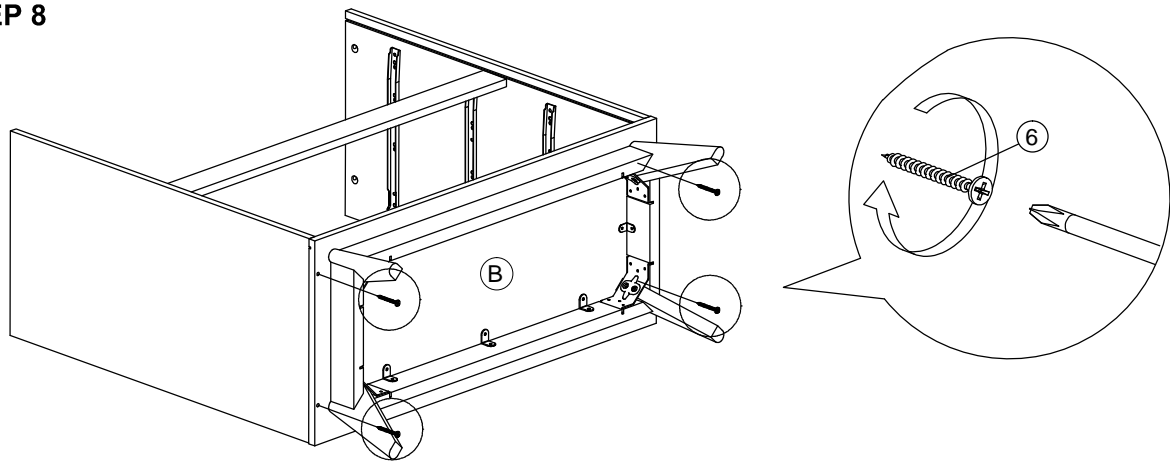


## STEP 7

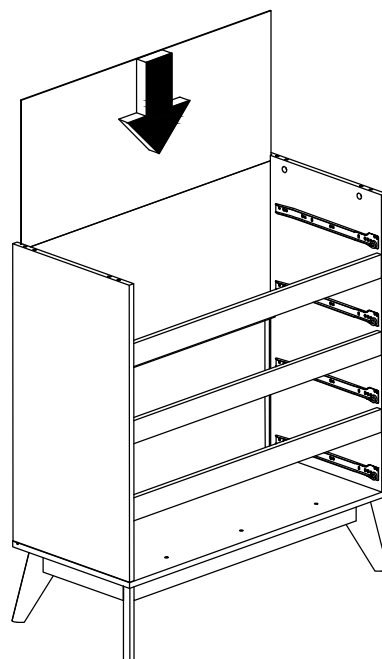


# Assembly Instruction

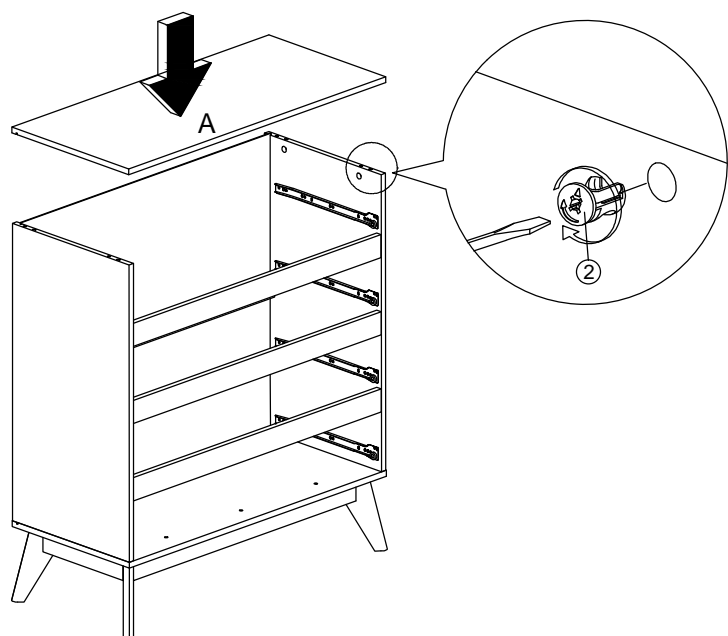
## STEP 8



## STEP 9

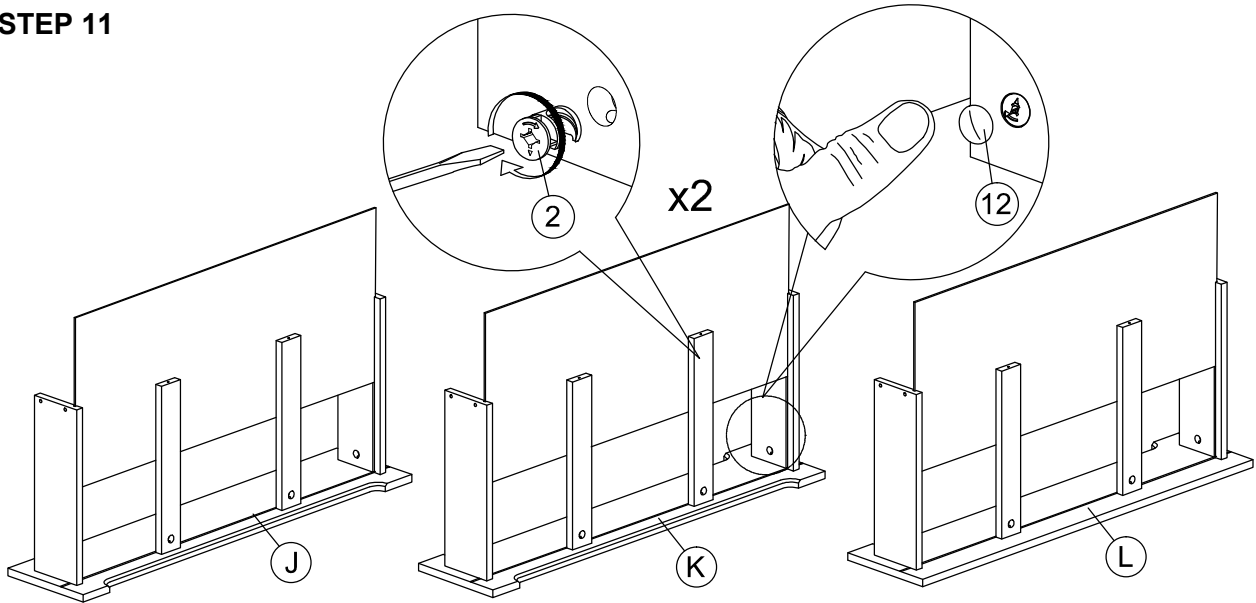


## STEP 10

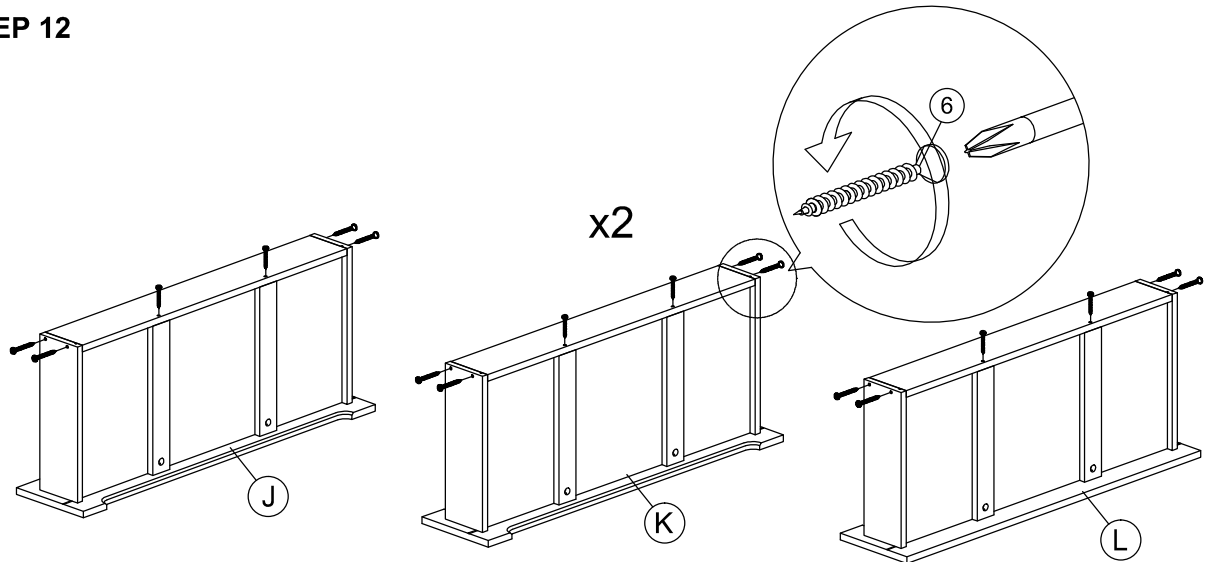


# Assembly Instruction

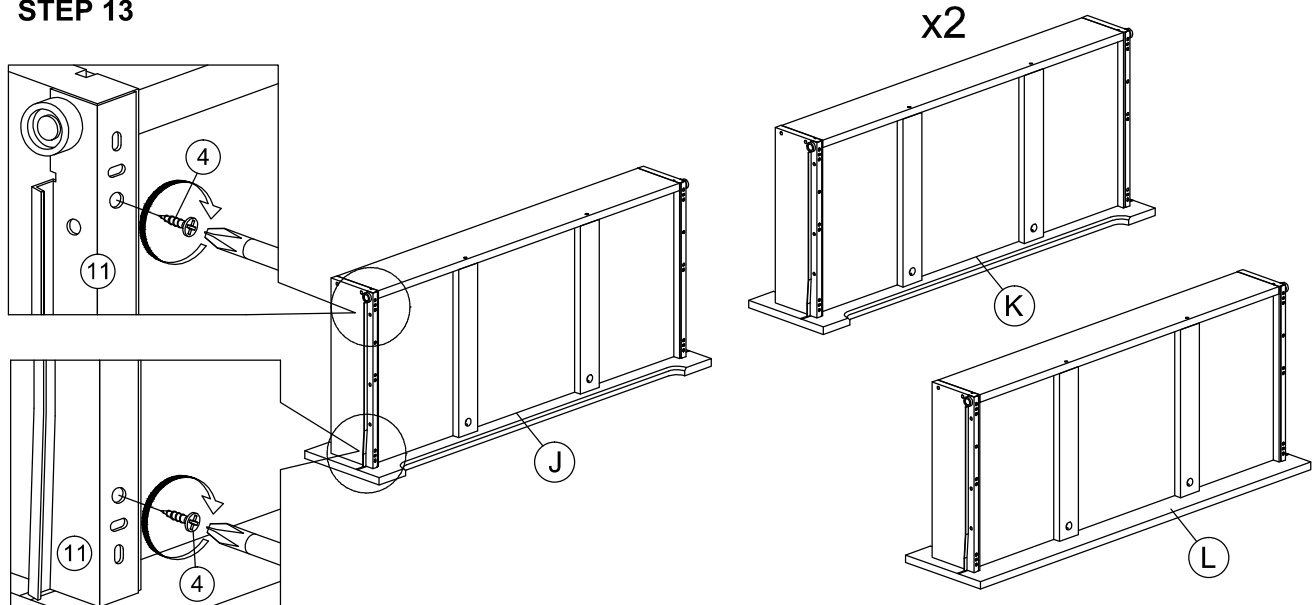
## STEP 11



## STEP 12

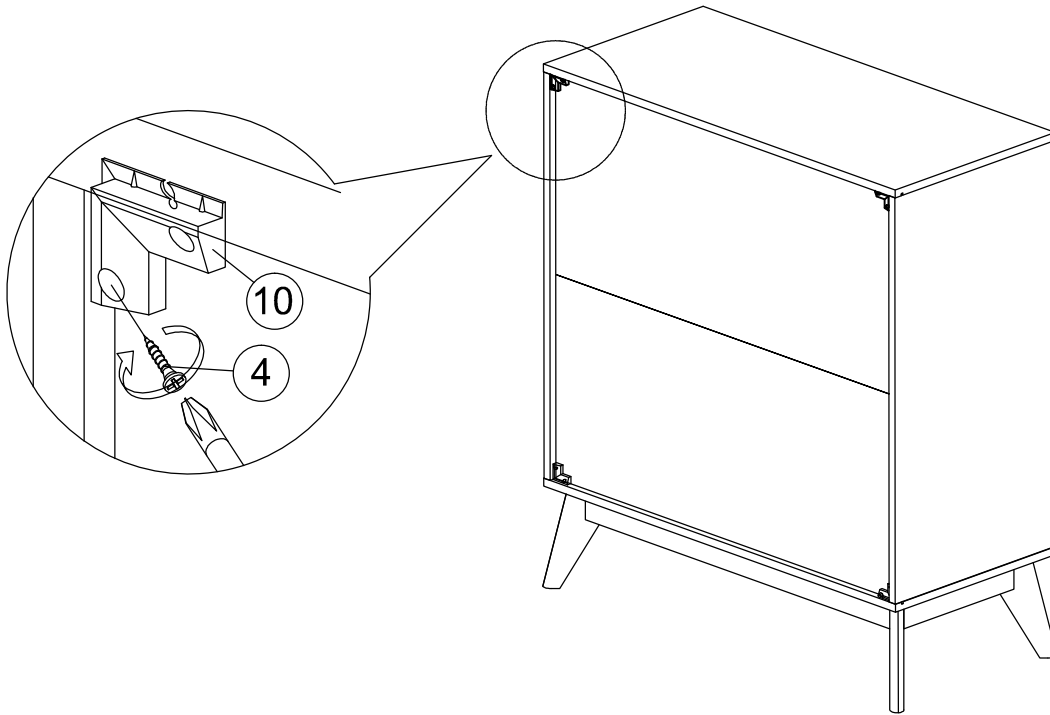


## STEP 13



# Assembly Instruction

## STEP 14



## Complete

