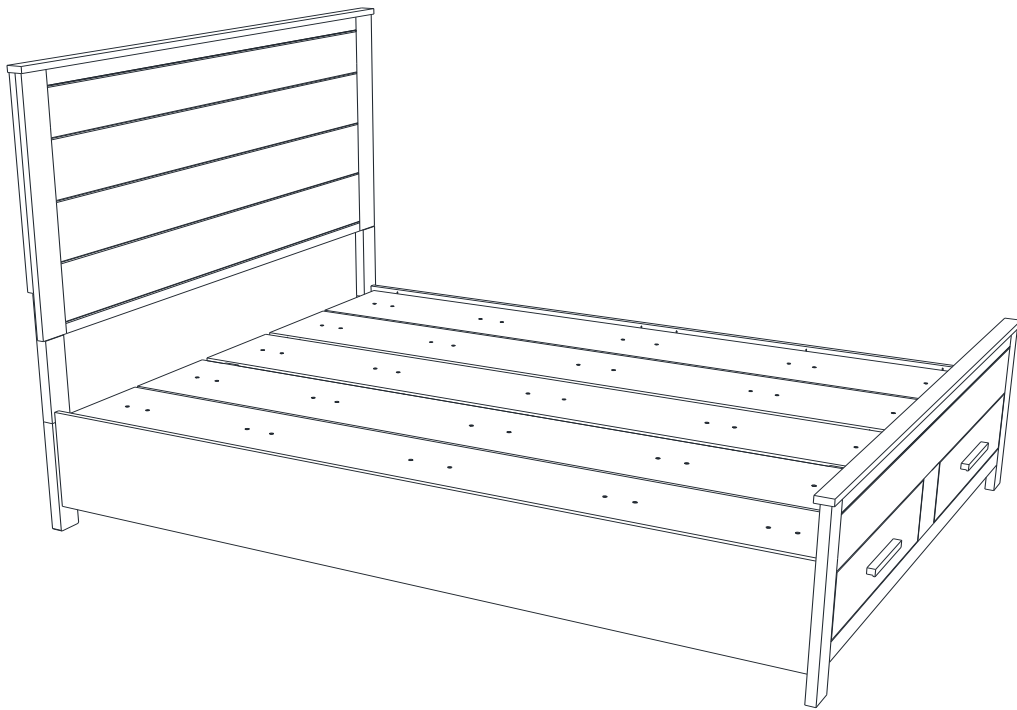


ASSEMBLY INSTRUCTIONS



Queen Storage Bed

ASSEMBLY INSTRUCTIONS

ASSEMBLY TIPS:

1. Remove hardware from box and sort by size.
2. Please check to see that all hardware and parts are present prior to start of assembly.
3. Please follow attached instructions in the same sequence as numbered to assure fast & easy assembly.



WARNING!

1. Don't attempt to repair or modify parts that are broken or defective. Please contact the store immediately.
2. This product is for home use only and not intended for commercial establishments.



ASSEMBLY TIME

20 MINUTES

PARTS IDENTIFICATION

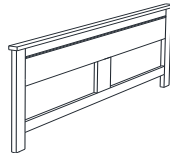
B1 (BOX 1)

A HEADBOARD PANEL



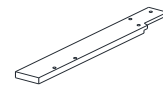
1PC

B FOOTBOARD FRAME



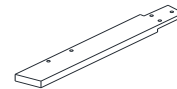
1PC

C RIGHT HEADBOARD LEG



1PC

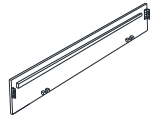
D LEFT HEADBOARD LEG



1PC

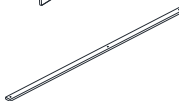
B2 (BOX 2)

E BED RAIL



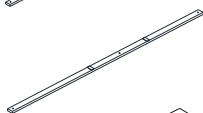
2PCS

F BED SLAT



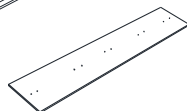
3PCS

G BED SLAT WITH MARKING



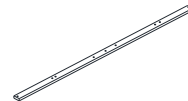
2PCS

H CONCEAL PANEL



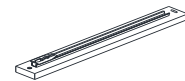
5PCS

I DRAWER BOTTOM TRESTLE BAR



1PC

J DRAWER SUPPORT RAIL



2PCS

K BED SLAT SUPPORT WITH LEVELER



5PCS

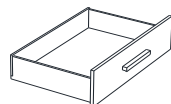
L SUPPORT LEG WITH LEVELER



1PC

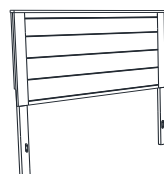
B3 (BOX 3)

M DRAWER BOX



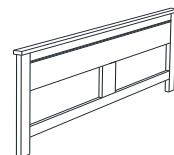
2PCS

HB FROM BOX 1 HEADBOARD COMPLETE



1PC

B FROM BOX 1 FOOTBOARD FRAME



1PC

ASSEMBLY INSTRUCTIONS

ASSEMBLY TIPS:









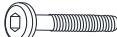



1. Remove hardware from box and sort by size.
2. Please check to see that all hardware and parts are present prior to start of assembly.
3. Please follow attached instructions in the same sequence as numbered to assure fast & easy assembly.



WARNING!

1. Don't attempt to repair or modify parts that are broken or defective. Please contact the store immediately.
2. This product is for home use only and not intended for commercial establishments.

HARDWARE IDENTIFICATION

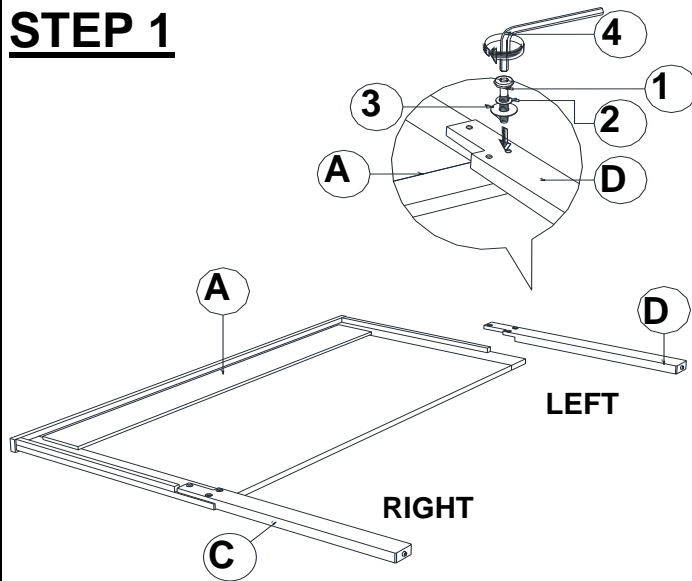
1	BOLT (M6 x 30mm - BLK)		6PCS	3	FLAT WASHER (1/4" ID x 13mm - BLK)		6PCS
2	LOCK WASHER (1/4" - BLK)		6PCS	4	ALLEN WRENCH (M4 x 60mm - BLK)		1PC
5	FLAT HEAD SCREW (M4 x 32mm - RBW)		14PCS	9	LOCK WASHER (1/4" - BLK)		2PCS
6	PAN HEAD SCREW (M3.5 x 20mm - BLK)		25PCS	10	FLAT WASHER (1/4" ID x 13mm - BLK)		2PCS
7	SHORT BOLT (M6 x 35mm - BLK)		2PCS	11	SMALL ALLEN WRENCH (M4 x 60mm - BLK)		1PC
8	LONG BOLT (M6 x 50mm - BLK)		6PCS	12	BIG ALLEN WRENCH (M5 x 65mm - BLK)		1PC

NOTE:

Phillips head screw driver is required in the assembly process; however, manufacturer does not provide this item.

ASSEMBLY INSTRUCTIONS

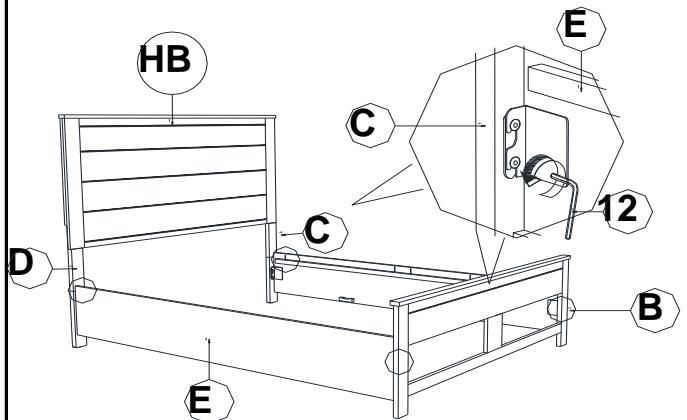
STEP 1



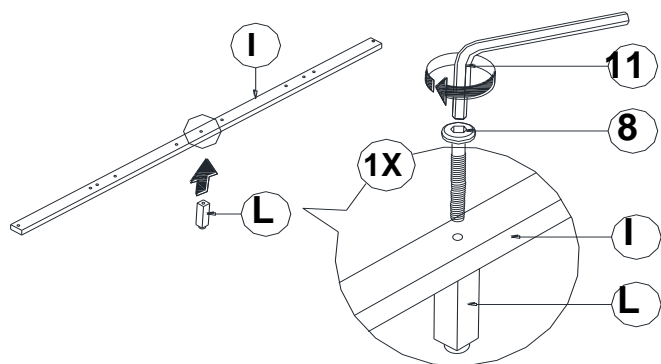
****BACK VIEW****

Note : Please take note of the marking sticker (L&R) on the leg.

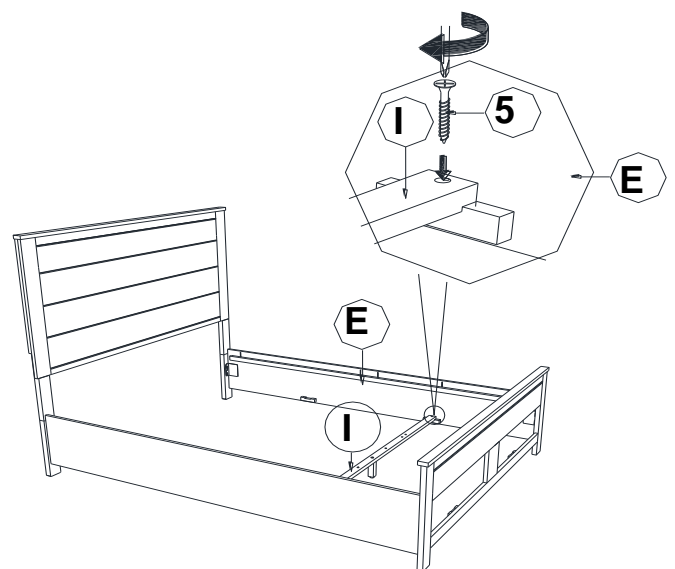
STEP 2



STEP 3

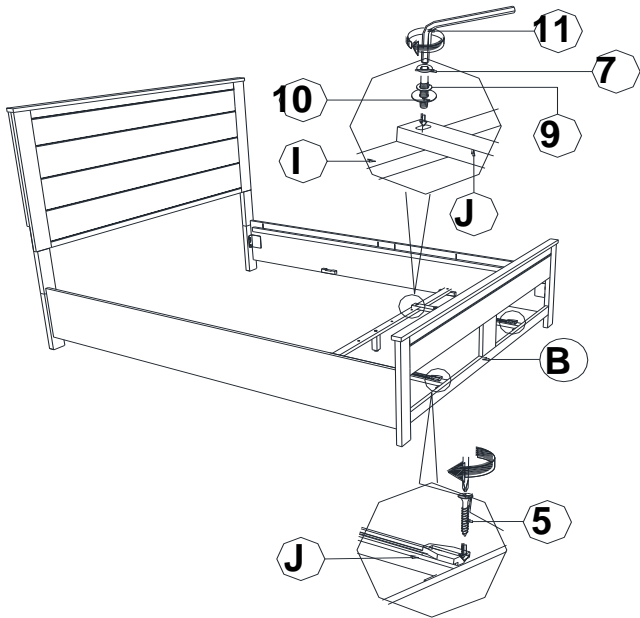


STEP 4

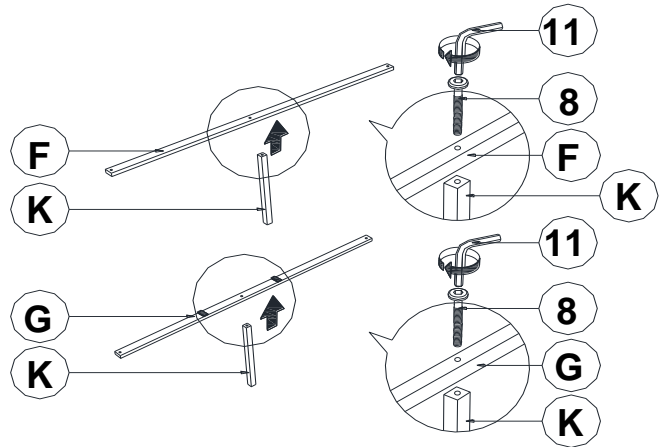


ASSEMBLY INSTRUCTIONS

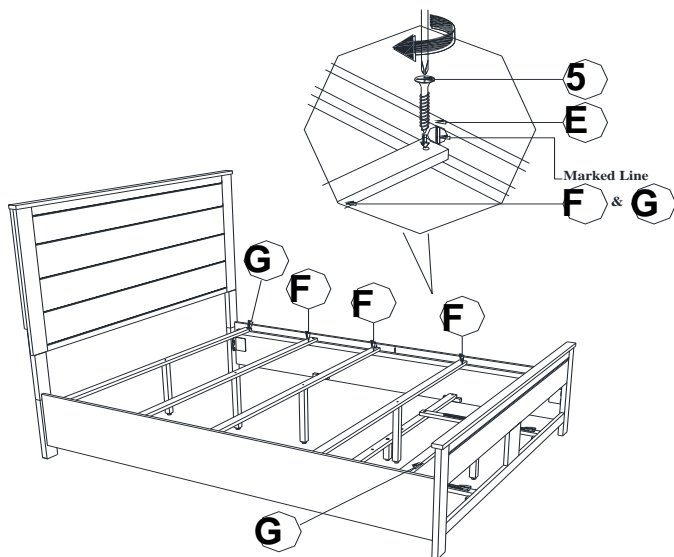
STEP 5



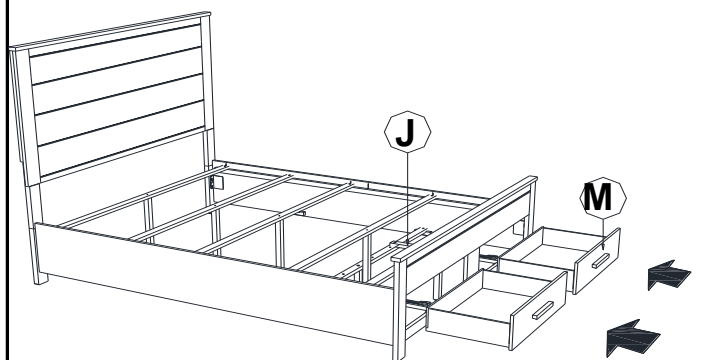
STEP 6



STEP 7

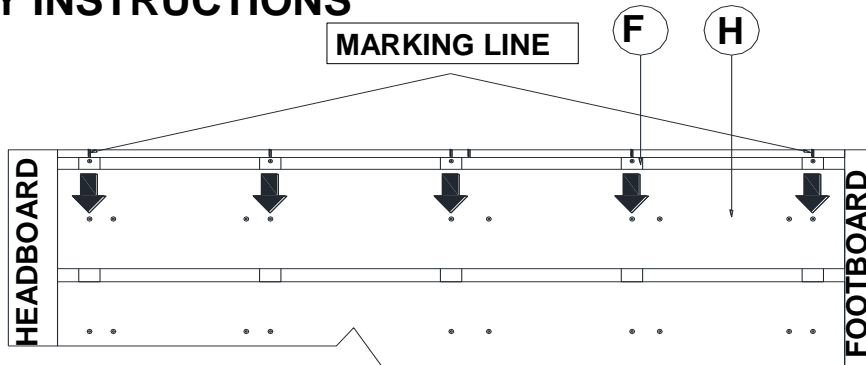


STEP 8

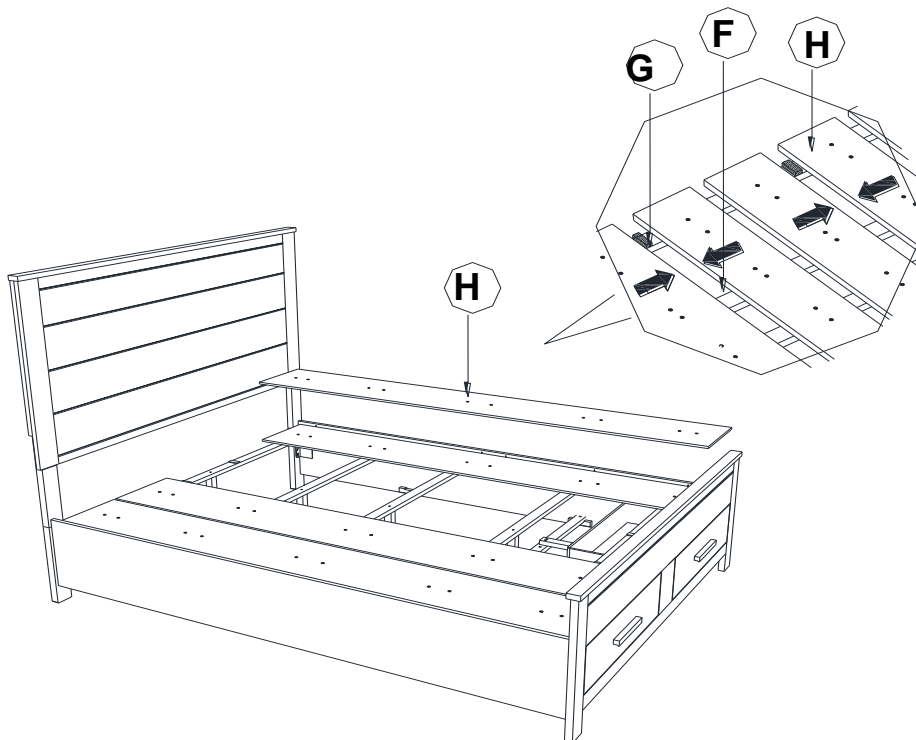


ASSEMBLY INSTRUCTIONS

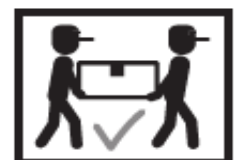
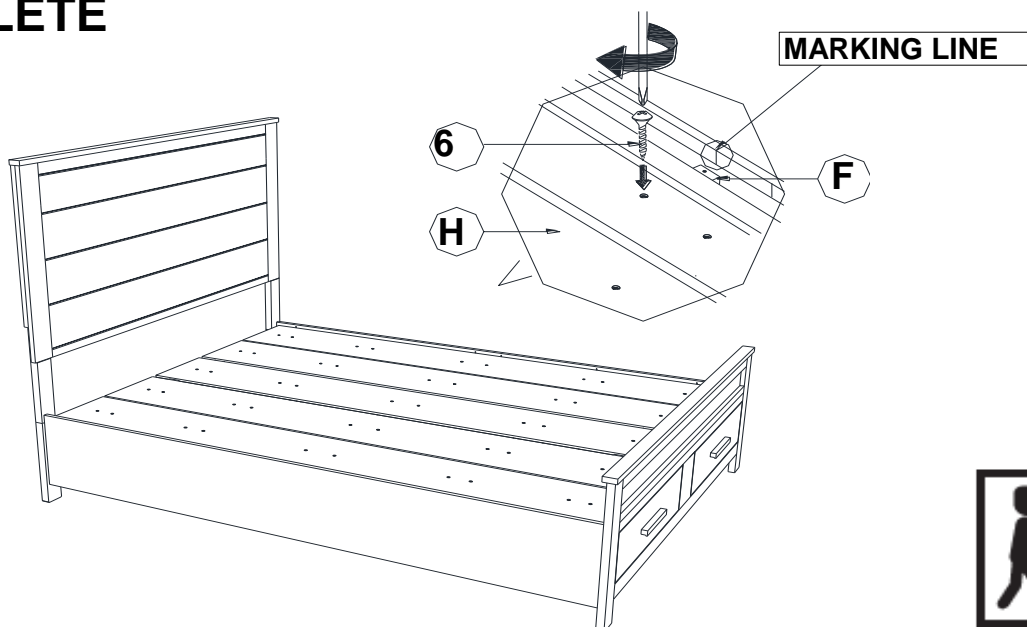
STEP 9



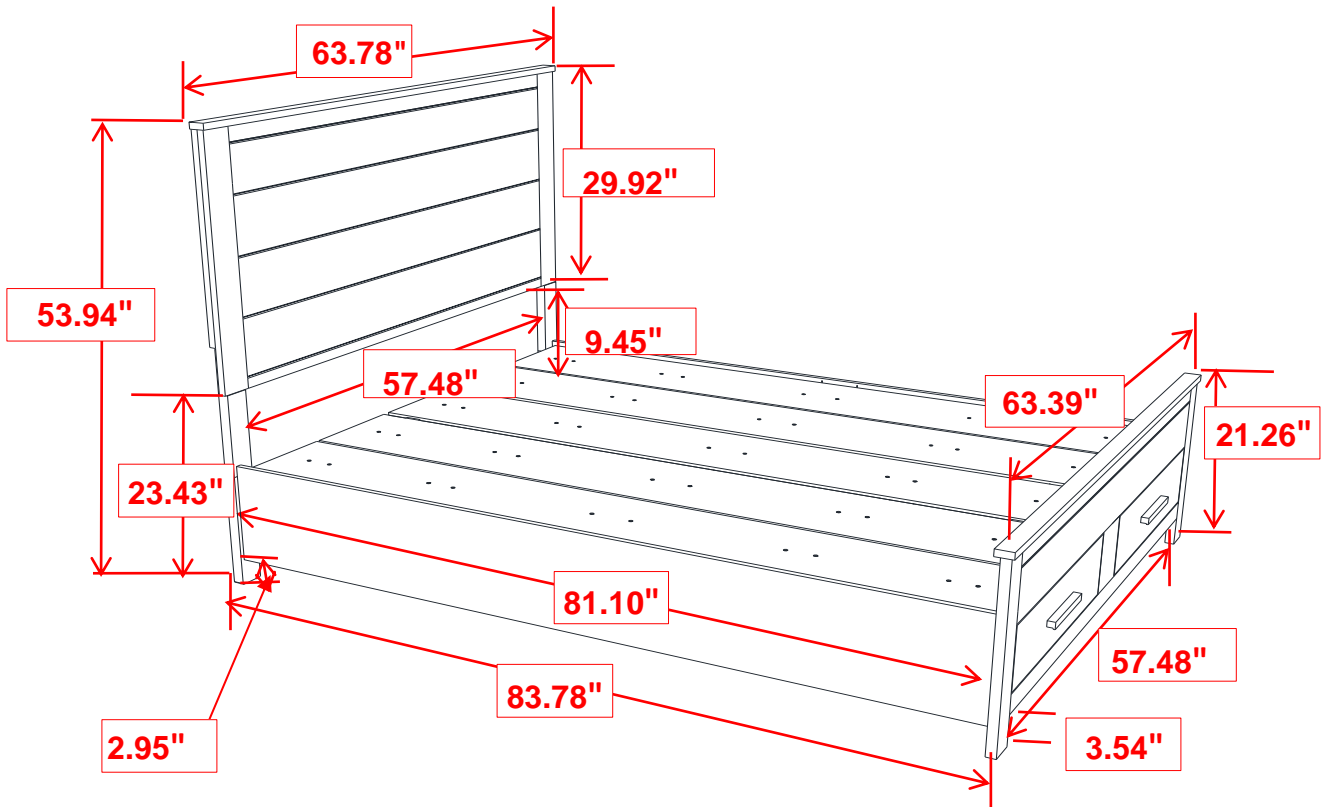
TIGHTEN THE PANHEAD SCREW (6) BY FOLLOW THE ARROW AS SHOWN



STEP 10 COMPLETE



INNER SIZE: 60.91" x 81.10"
SLAT SUPPORT : 12.99" H
INNER SIZE OF DRAWER : 23.23" x 14.96" x 5.12"



Note : Dimension tolerance $\pm 5\%$