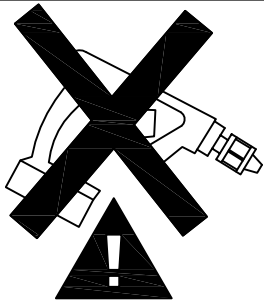
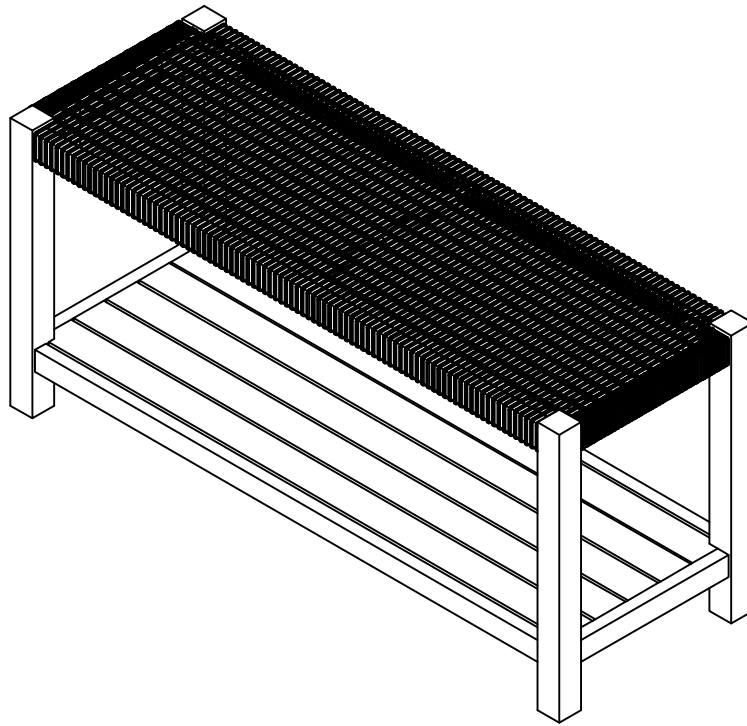
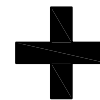
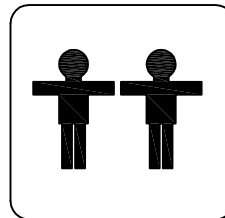


# ASSEMBLY INSTRUCTION

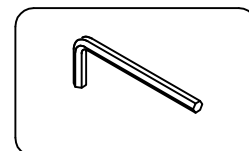
## Bench 40"Wx14"Dx18"H



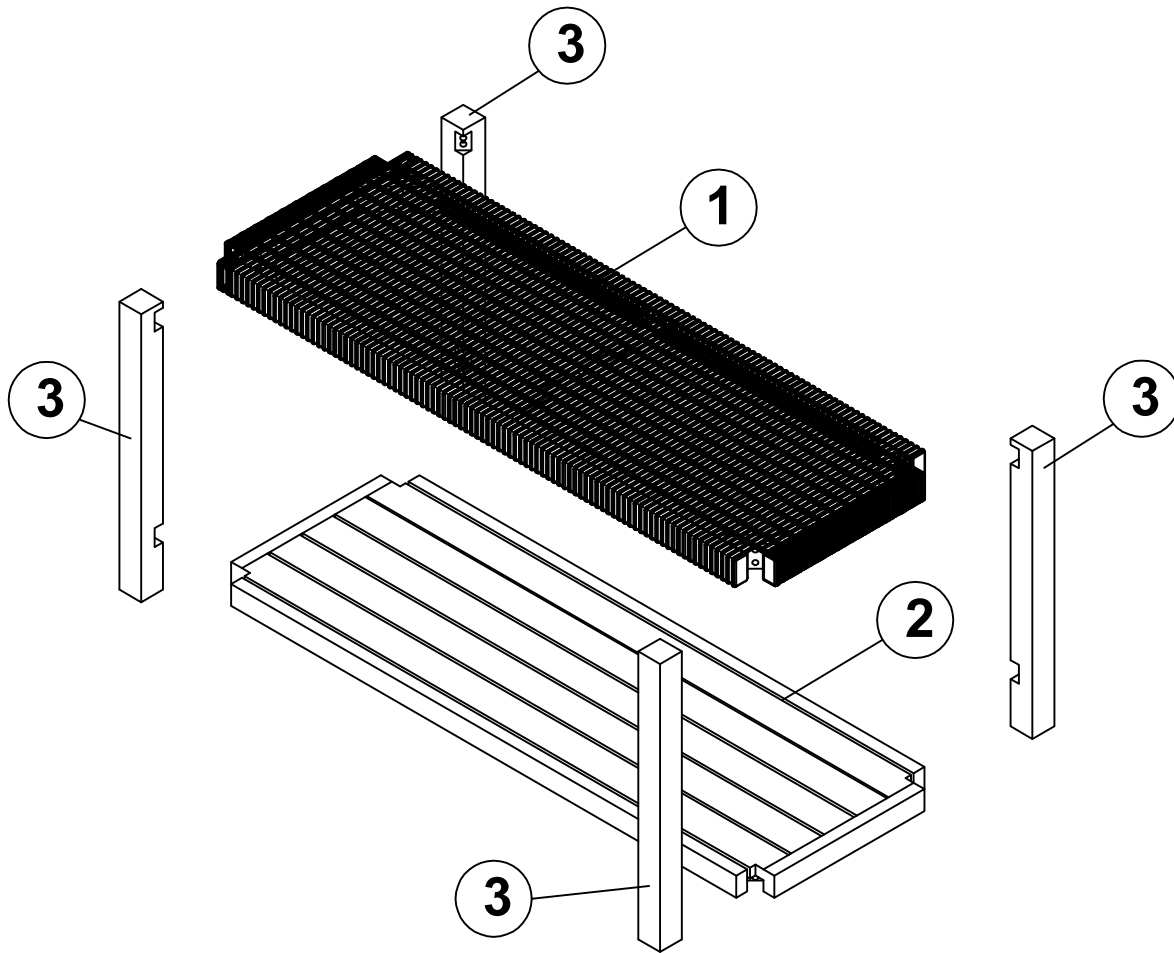
**. Use of power tool to assemble this product will invalidate any claim and damage this product making it unsafe !!!**  
**. Please assemble on a clean soft surface to avoid damage.**




### Tools Required




# Part list - Bench



**Identifying the hardware-**Identify the hardware using the illustrations below





**A**  **12**  
M6\*55mm Bolt

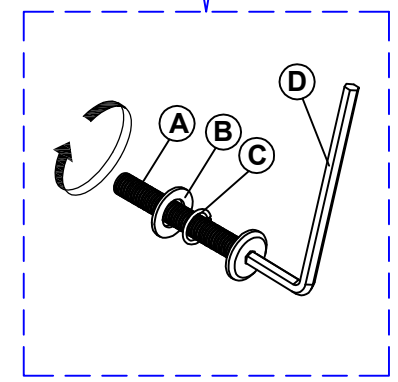
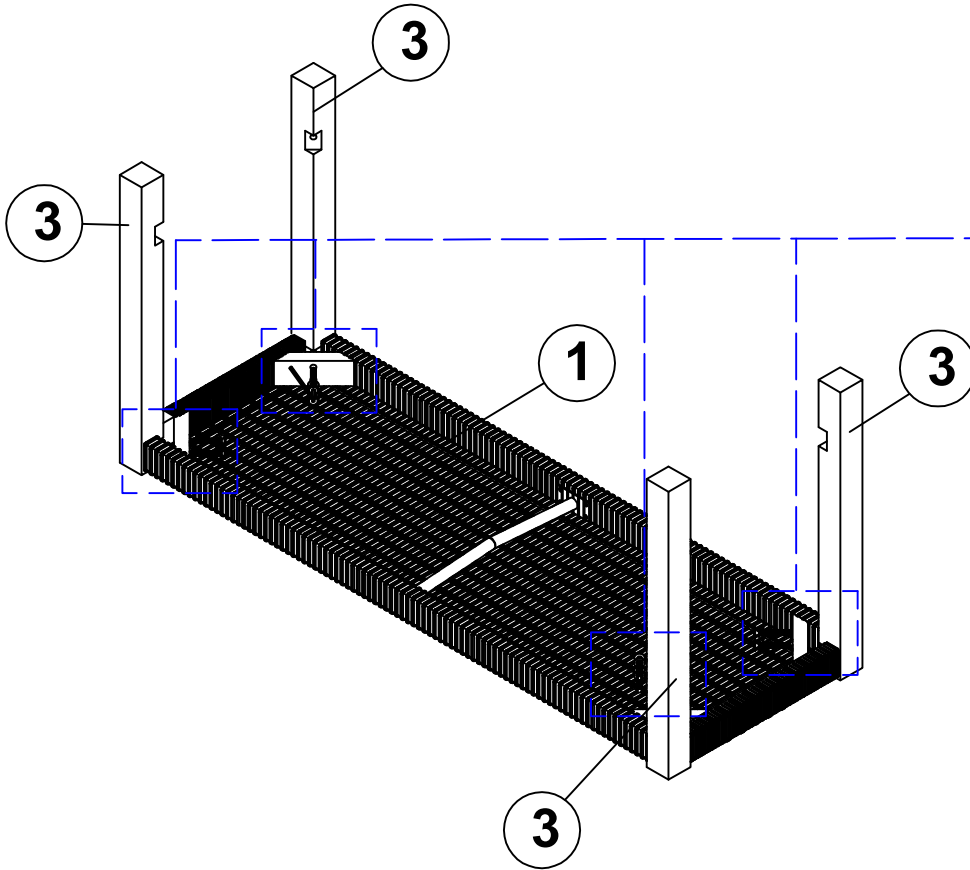
**B**  **12**  
M6 Washer

**C**  **12**  
Spring Washer





**D**  **01**  
Hex Wrench

# Step 01

A		08
M6*55mm Bolt		
B		08
M6 Washer		
C		08
Spring Washer		
D		01
Hex Wrench		



# Step 02

A		04
M6*55mm Bolt		
B		04
M6 Washer		
C		04
Spring Washer		
D		01
Hex Wrench		

