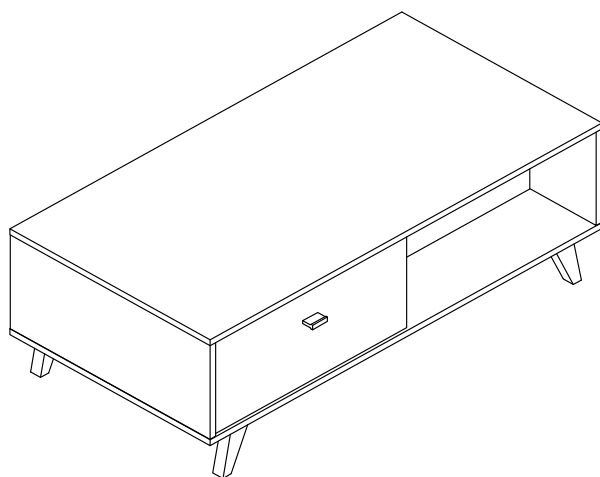


COFFEE TABLE

ASSEMBLY GUIDE



Important - Please read these instructions fully before starting assembly



**SAFETY AND
CARE ADVICE**



NO POWER TOOLS

SAFETY AND CARE ADVICE

- Check you have all the components and tools listed.
- Remove all fittings from the plastic bags and separate them into their groups.
- We do not recommend the use of power drills/drivers for inserting screws, as this could damage the unit. Only use hand screwdrivers and Allen keys.
- Keep children and animals away from the work area, small parts could cause choking if swallowed.
- Make sure you have enough space to lay out the parts before starting.
- Assemble the item as close to its final position (in the same room) as possible.
- Do not overtighten the nuts to avoid causing damage to the threads.
- Only clean using a damp cloth and mild detergent, do not use bleach or abrasive cleaners.
- From time to time check that there are no loose screws on this unit
- This product should not be discarded with household waste. Take to your local authority waste disposal centre.

IMPORTANT INFORMATION



30 MINUTE
BUILD

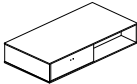


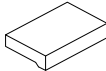


TWO
PERSON




MAXIMUM
CAPACITY 80Kg

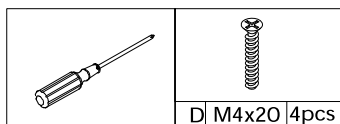
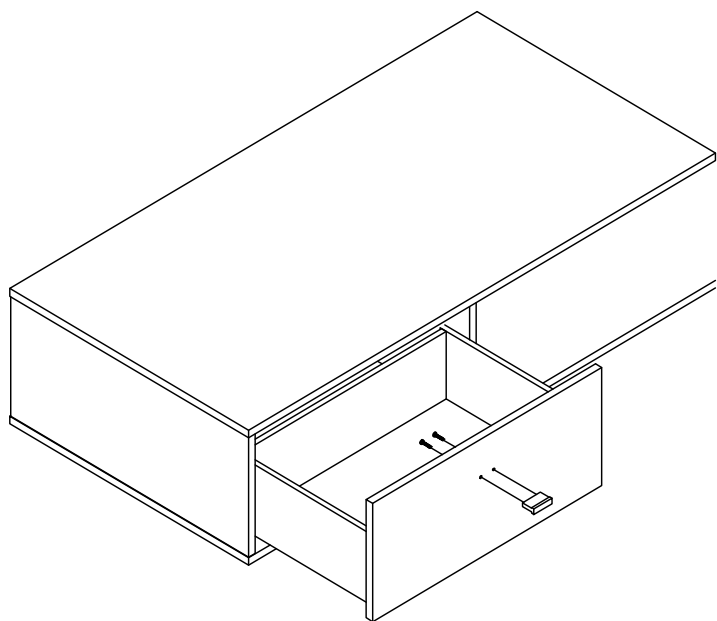
PLEASE CHECK CAREFULLY AND MAKE SURE YOU HAVE ALL FITTINGS AND TOOLS LISTED BELOW BEFORE YOU START.

DESCRIPTION	PART NAME	Q'ty(PCS)
①		1
②		4
③		1
④		2

G  BOLT M6*12MM 20 PCS

D  BOLT M4*20MM 4 PCS

NOTE: The quantities above are the correct amount to complete the assembly. In some cases more fittings may be supplied than are required.

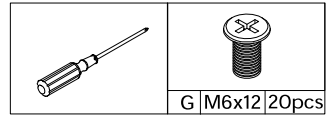
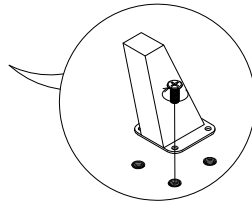
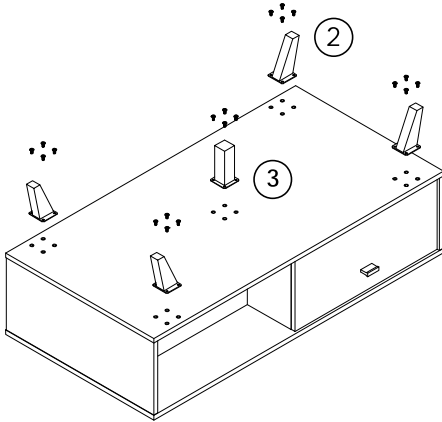


STEP 2

Carefully, and with help, place your coffee table upside down on a soft surface.

Ensure the legs are facing the outwards direction on the bottom panel. Attach 4x legs [2] and 1x middle leg [3] with 20 x bolts [G] to the bottom of your coffee table.

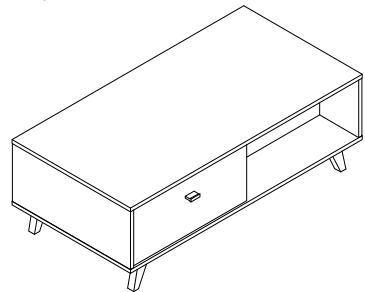
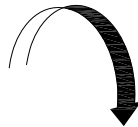
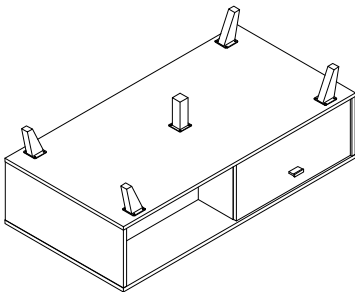
Tighten using screwdriver.



STEP 3

Carefully, and with help, stand the coffee table on its legs.

Your coffee table is now complete, and ready to use.





OUR 2 YEAR* GUARANTEE

our products come with a 2 year guarantee to give you peace of mind shopping

*excludes some garden furniture items which have a 1 year guarantee



WHAT THE GUARANTEE COVERS



PRE-INSERTED FIXINGS
e.g. loose metal threads



FAULTY JOINTS
e.g. legs bending



EXTERNAL FIXING FAULTS
e.g. metal discs removing from table top



STRUCTURAL INTEGRITY
e.g. the frame of the product