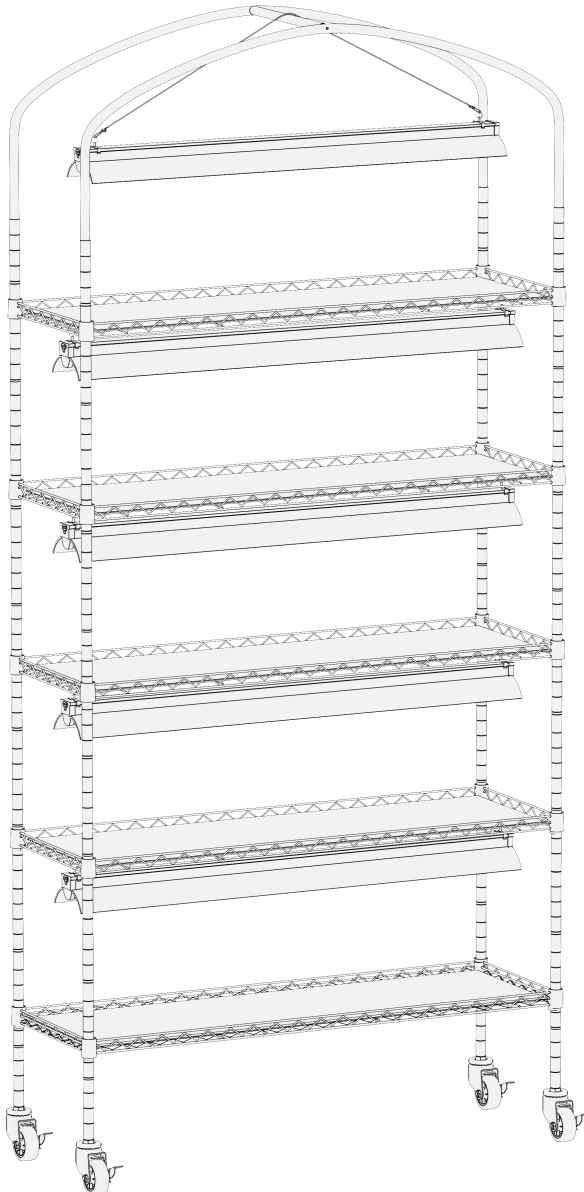


# Greenhouse Assembly Instructions



Please read all key points in the installation manual carefully



.....

**This manual includes important safety notes before installation, step-by-step assembly instructions, and after-sales support details. To ensure the best experience, please read the entire manual carefully and store it safely after installation, so you can refer to it or contact us in case of any quality issues during use.**

.....

## **Before You Begin Installation**

**1.** Thank you for purchasing our Greenhouse with Grow Light. To ensure a smooth and successful setup, please follow the steps below before beginning assembly:

**2, Check All Parts and Accessories**

Carefully unpack the package and check all components against the parts list included in the manual. Make sure that no parts are missing.

**3, Inspect for Damage or Deformation**

Although we carefully hand-pack each unit, occasional issues such as missing accessories or slight deformation may occur due to long-distance transportation. Please inspect each part to ensure it is in good condition.

**4, Contact Us for Assistance**

If you find any missing, damaged, or defective parts, don't worry—we're here to help! Please refer to the "Customer Support" section at the end of this manual. You can reach us by email with your order number and a description (or photo) of the issue, and we will assist you promptly.

# Parts List



Short tube(connects the curved top frame)



4 x Castor wheel

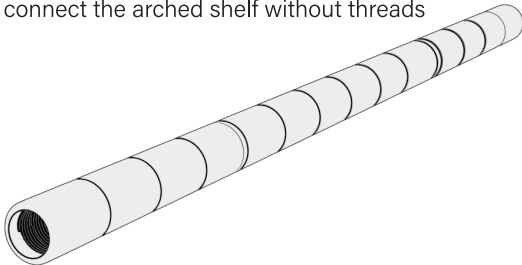


2 x The arched top shelf

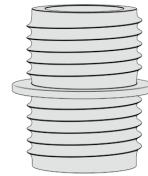


40 x Clips  
(20 x Couples)

Different from one side of the bottom pole, connect the arched shelf without threads

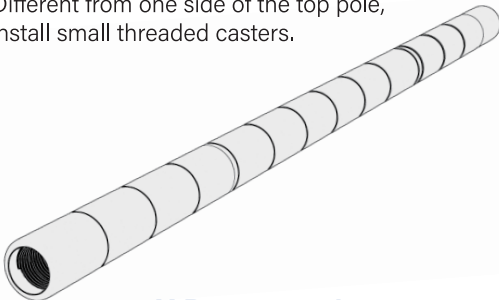


4 X Top-pole



4x Attachment bolt

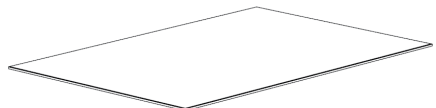
Different from one side of the top pole, install small threaded casters.



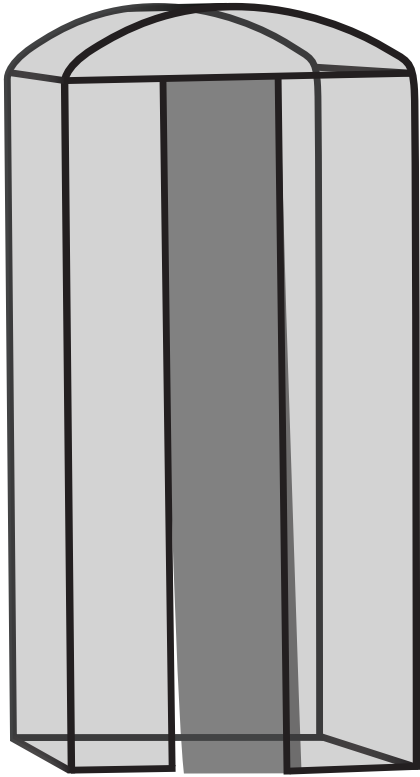
4X Bottom-pole



Wire Rope Clip X 10



5 x PP matting



1x PVC cover



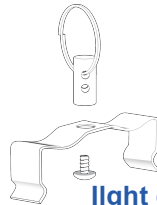
timer X1



Plug power cord x 1



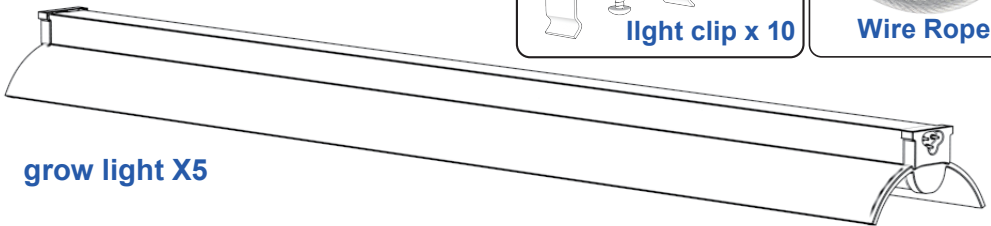
Connection wire X5



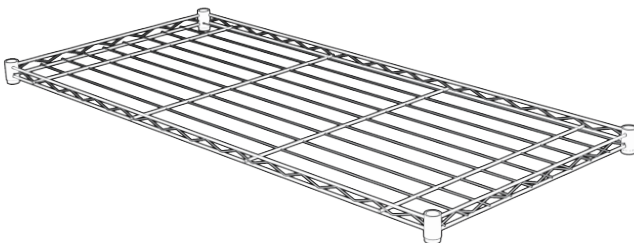
light clip x 10



Wire Rope 5m



grow light X5



5 X Shelves

## I suggest the usual precautions when assembling things like this:

- 1, Choose a time when you won't be rushed.
- 2, Identify the parts and lay them out similarly to the instructions for quicker reference.
- 3, Find all needed tools (the rubber mallet was very useful in speeding up settling shelves into place!) I also suggest a tape measure for speeding up checking shelf heights on each pole as even with the double rings helping determine heights it is easy to get it wrong.)
- 4, Read through the instructions and decide on the configuration you want, go back to the beginning and start patiently putting bits together. We also have an installation video on the product page for your reference. Good luck.

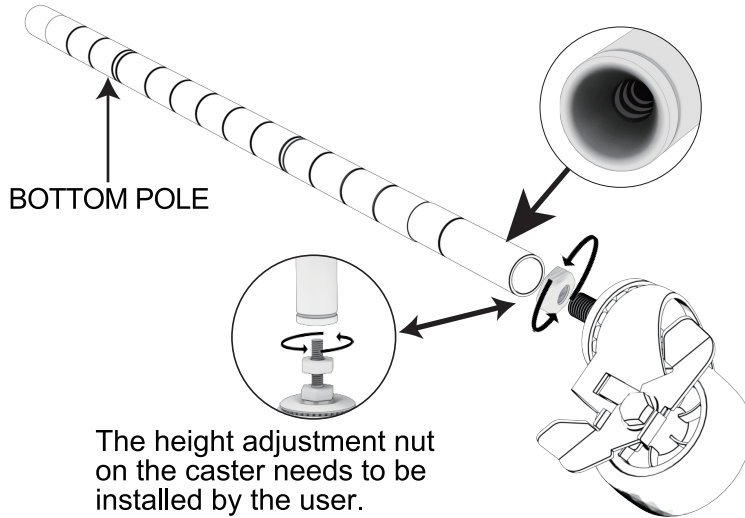
---

### P.S

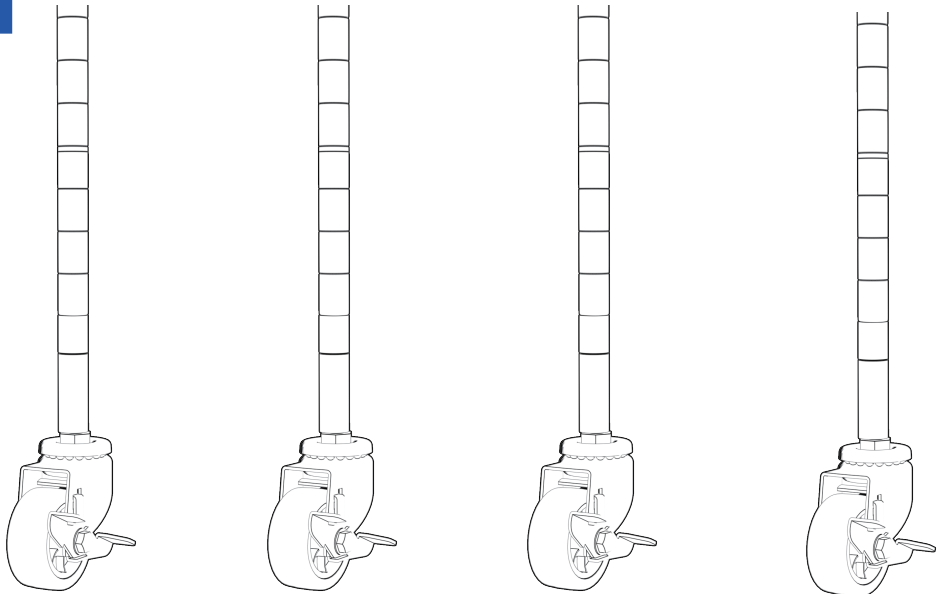
- 1, Pay attention to the order in which to assemble so you don't have to disassemble before you can go on.
- 2, Note you have to assemble with the 2cm sides of the shelves facing up.
- 3, Changing shelf heights after assembly is the height of inconvenience so think carefully before you begin re how you want to use your shelves and how that affects spacing!

# Installation steps

## 1 Install the caster wheels to the bottom pole

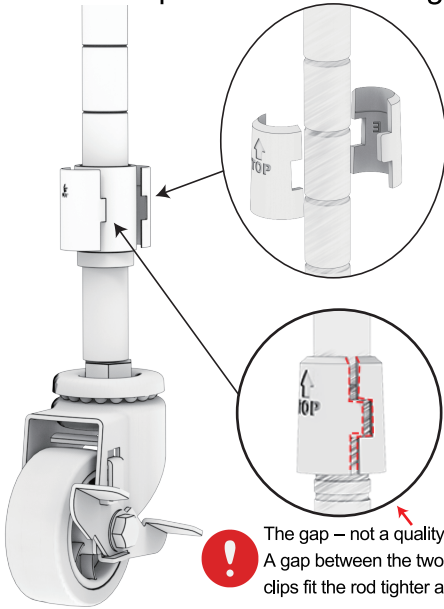


## 2



3

Place the clips onto the marked groove locations.



1. The groove on the clips attaches to the pole.



2. Ensure the arrow on the clip is facing upward during installation.

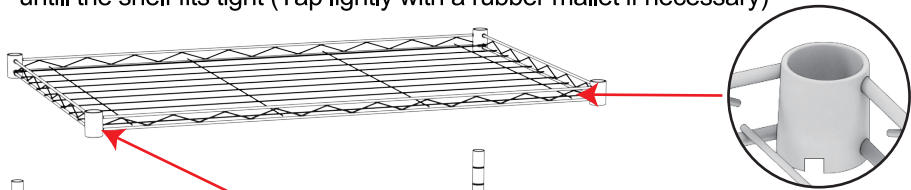


The gap – not a quality issue!!!

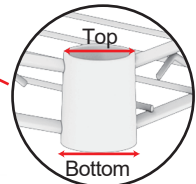
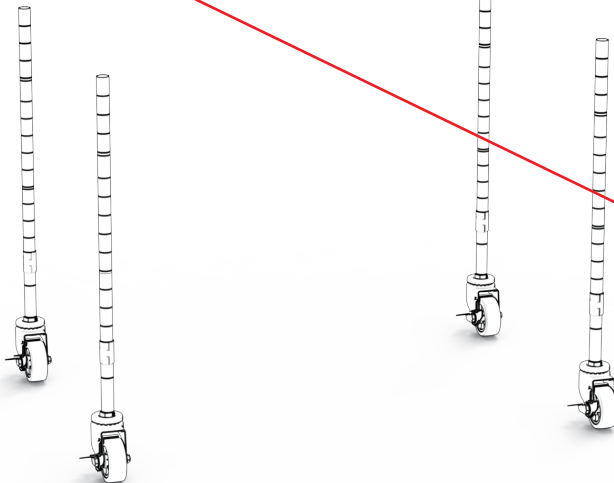
A gap between the two Plastic clips is a special design to make the clips fit the rod tighter and firmer.

4

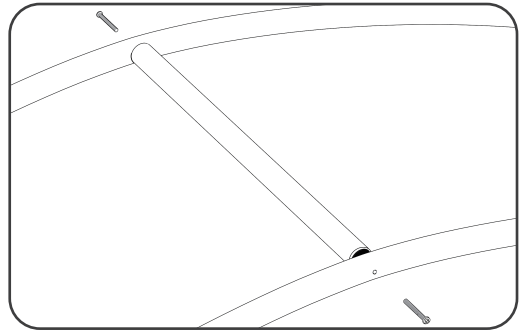
Place the bottom shelf onto the pole and push the bottom shelf onto the plastic clips untill the shelf fits tight (Tap lightly with a rubber mallet if necessary)



The notch of the cylinder around the shelf is below.

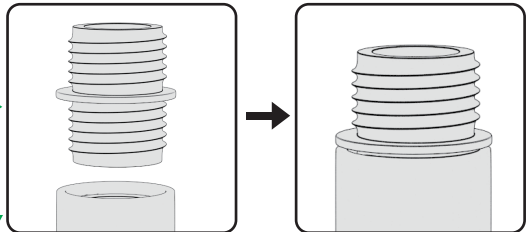


This design is to better match with clipsto make the shelf stronger.



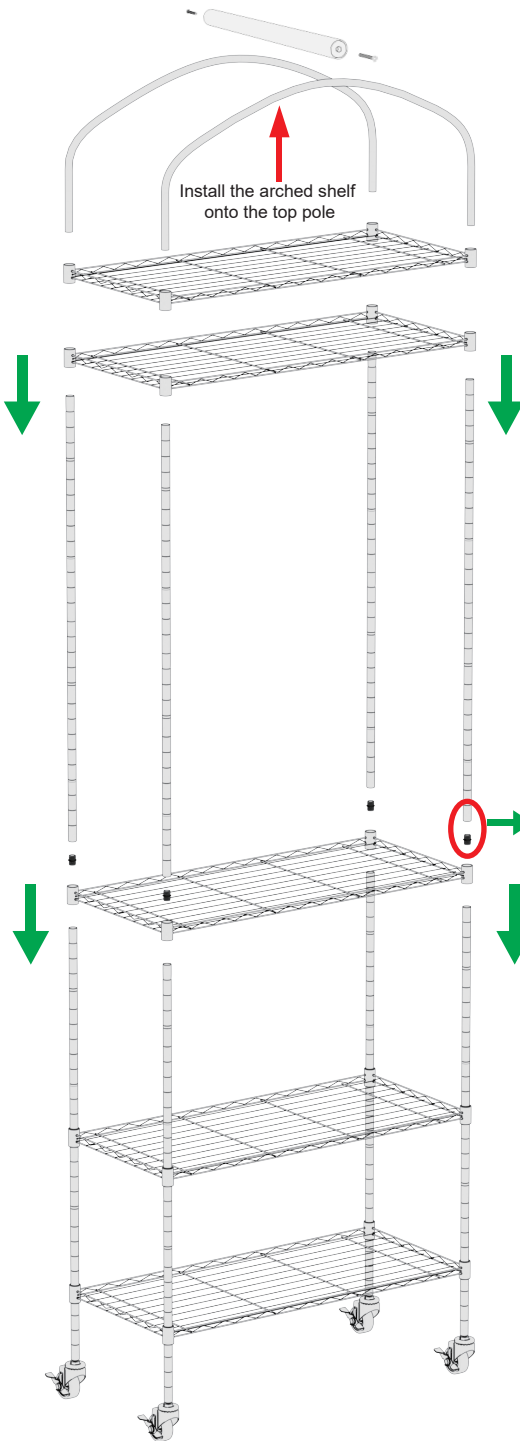
Secure the short tube to the top arched frame using screws.

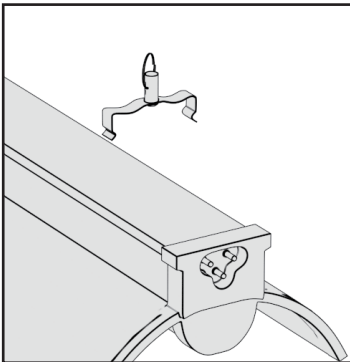
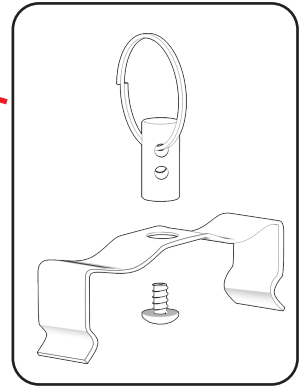
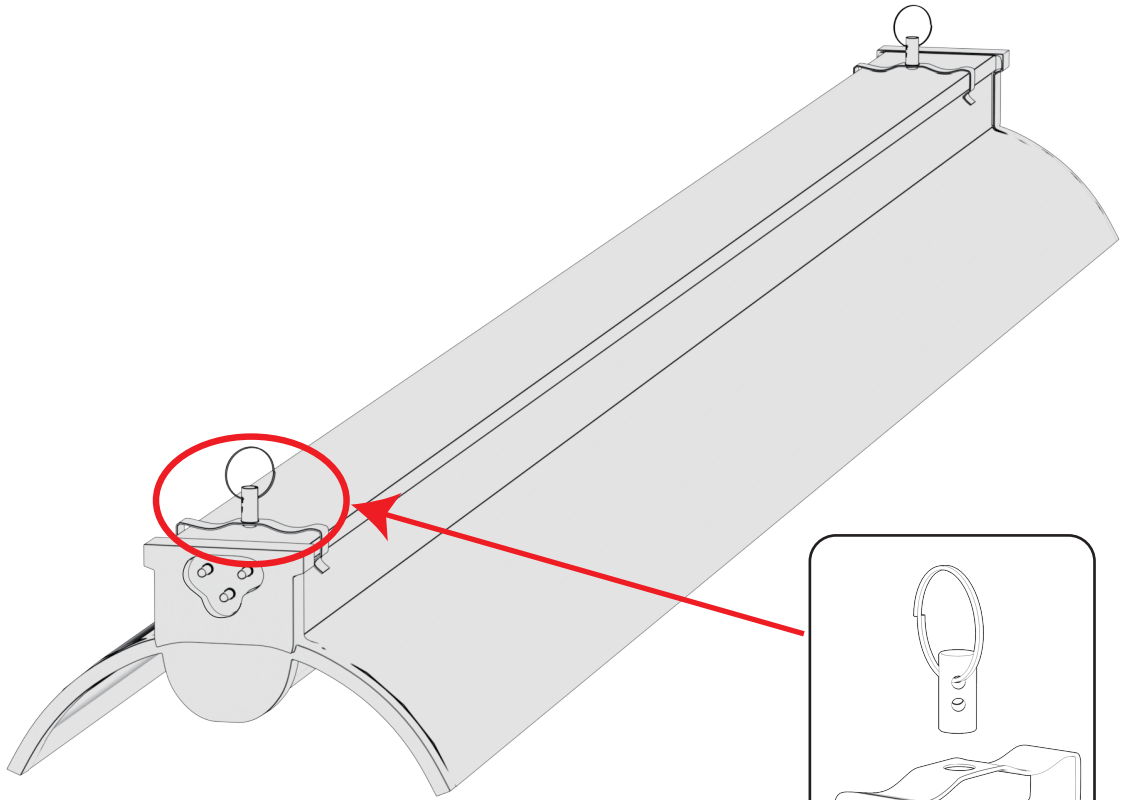
Place the top poles into the bottom poles.



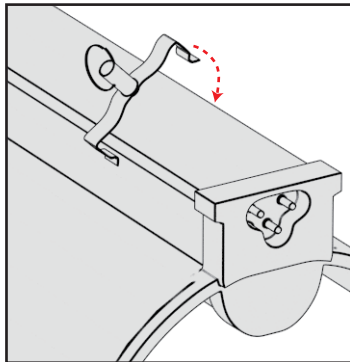
**Warm Tips:**

You can customize the spacing of the shelves according to your needs, because there are multiple possible heights of each shelf.

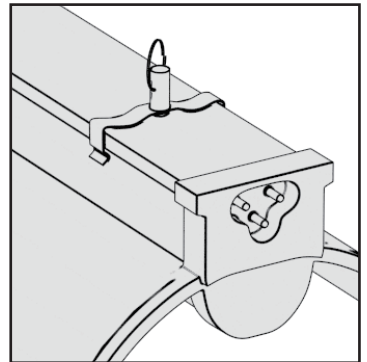




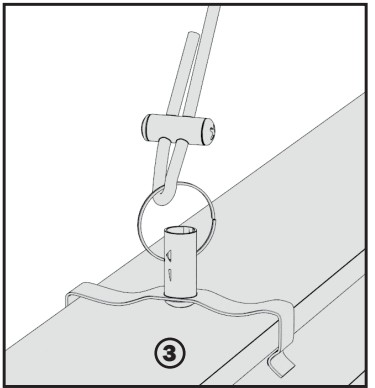
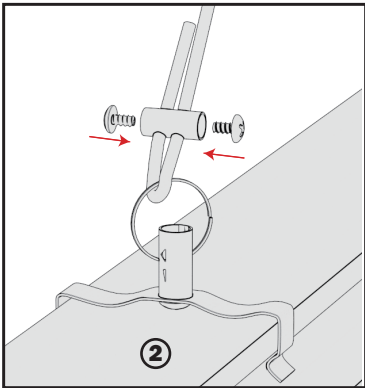
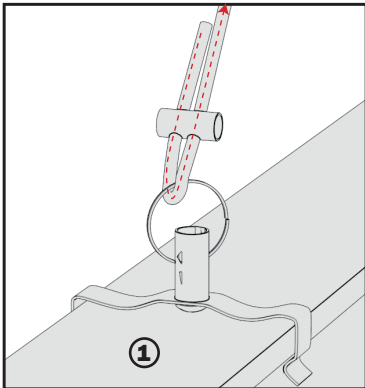
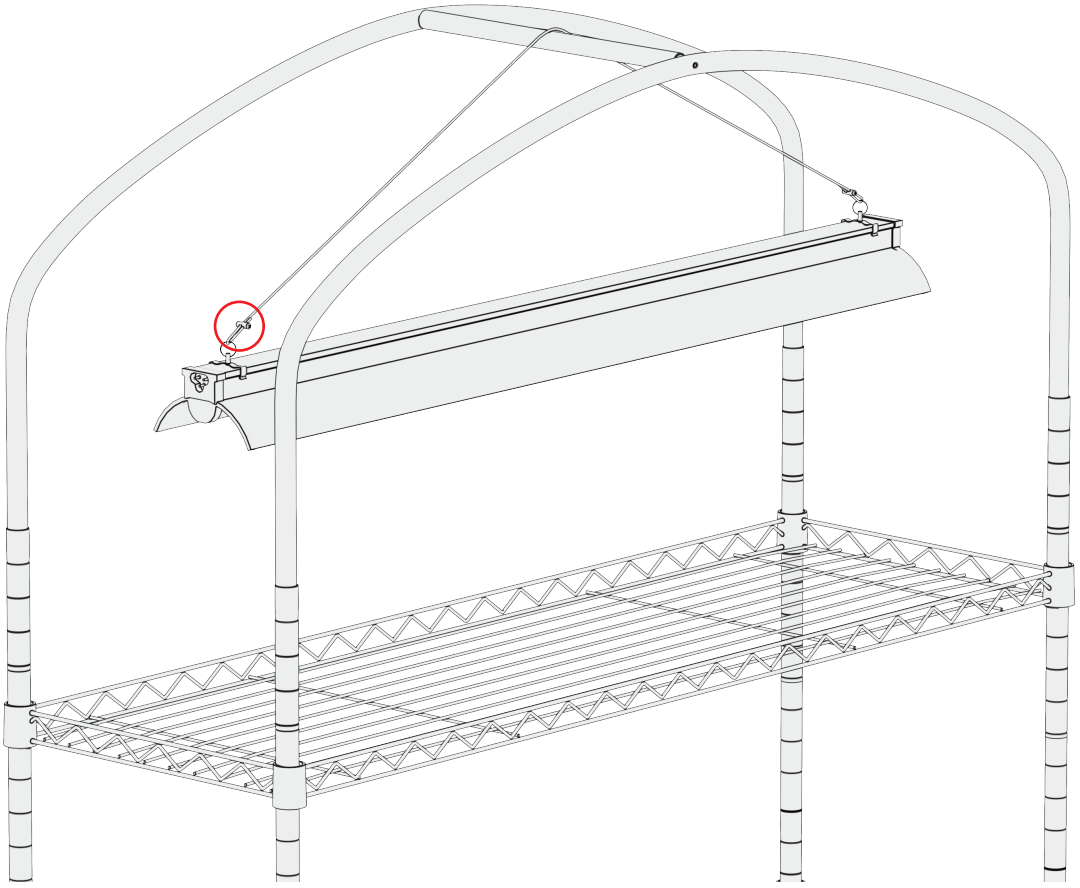
1

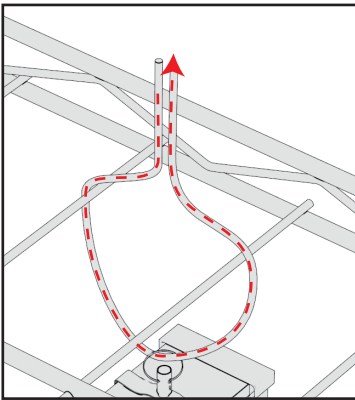
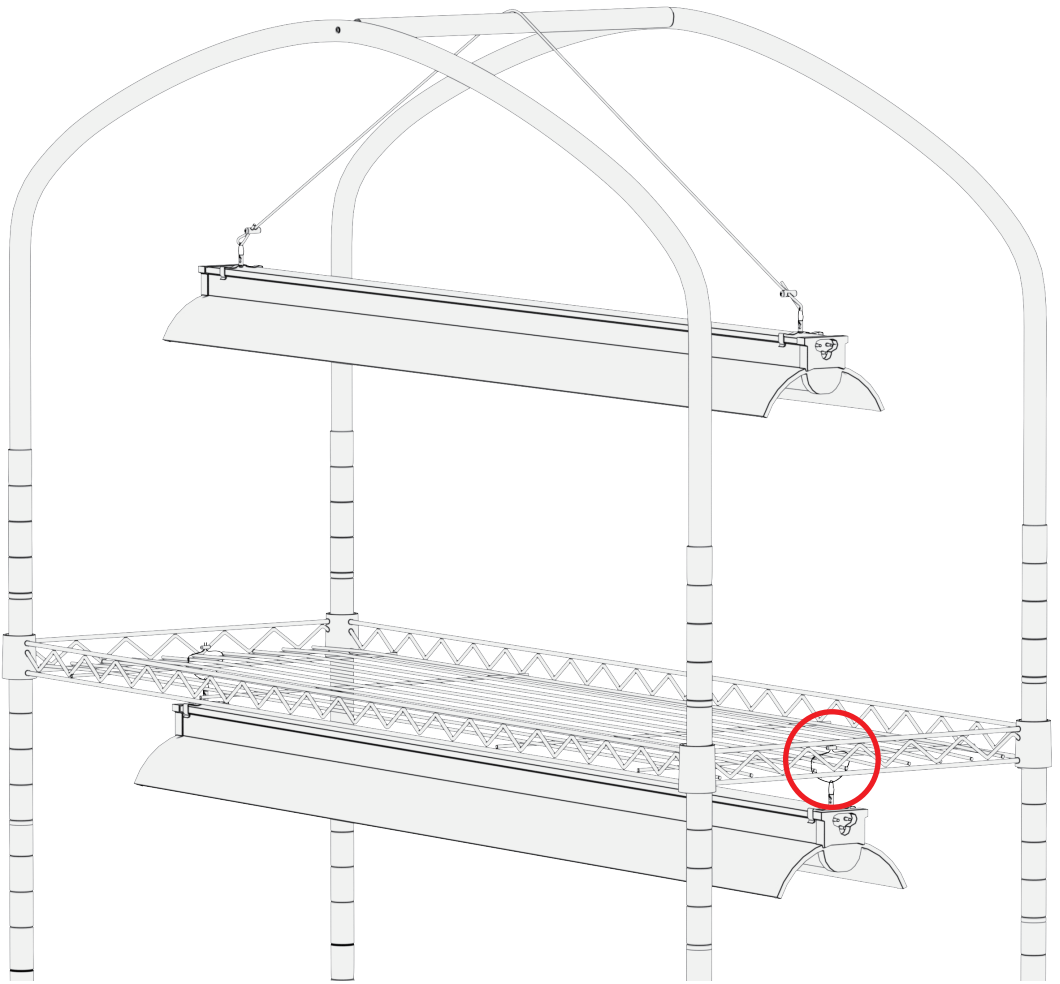


2

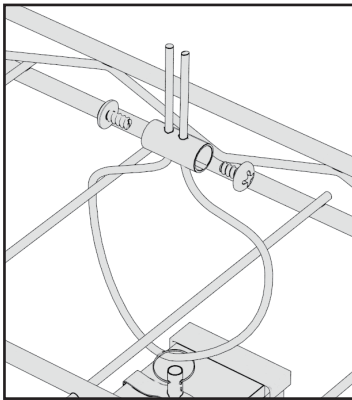


3

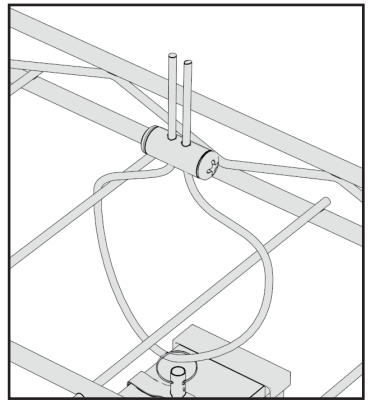




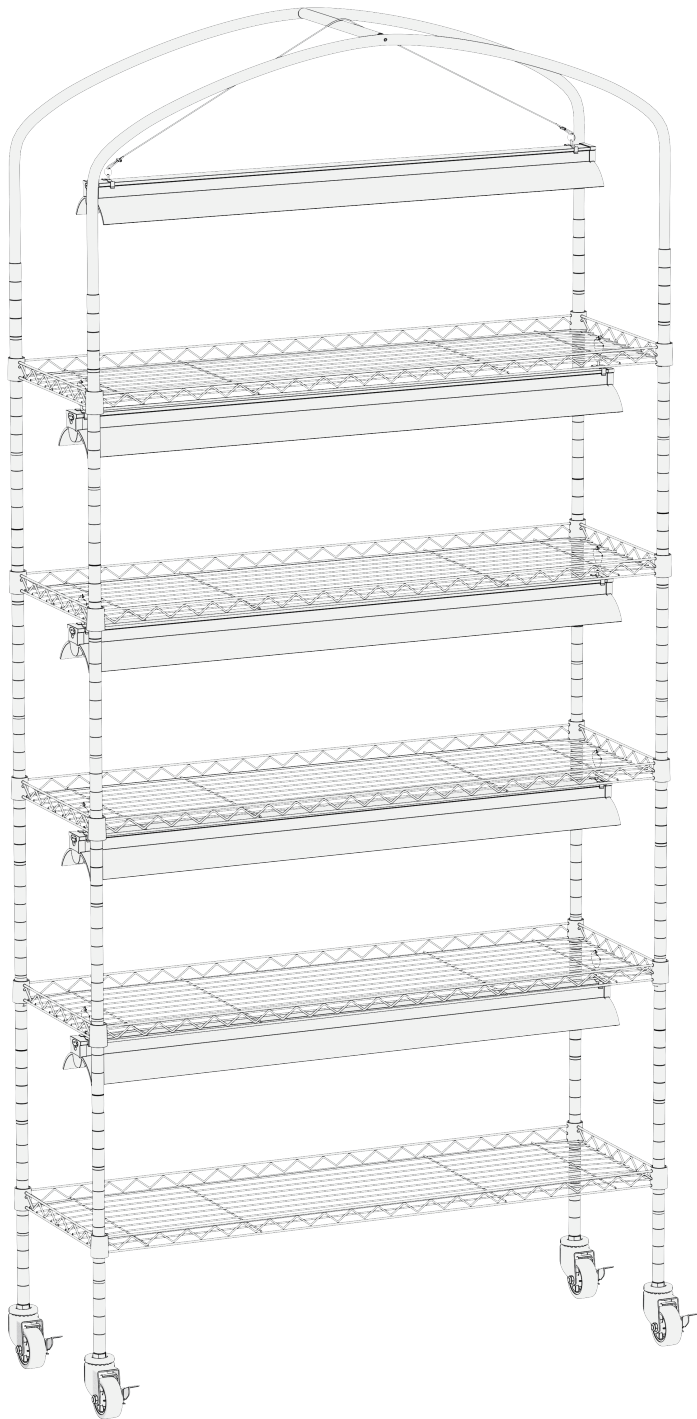
①

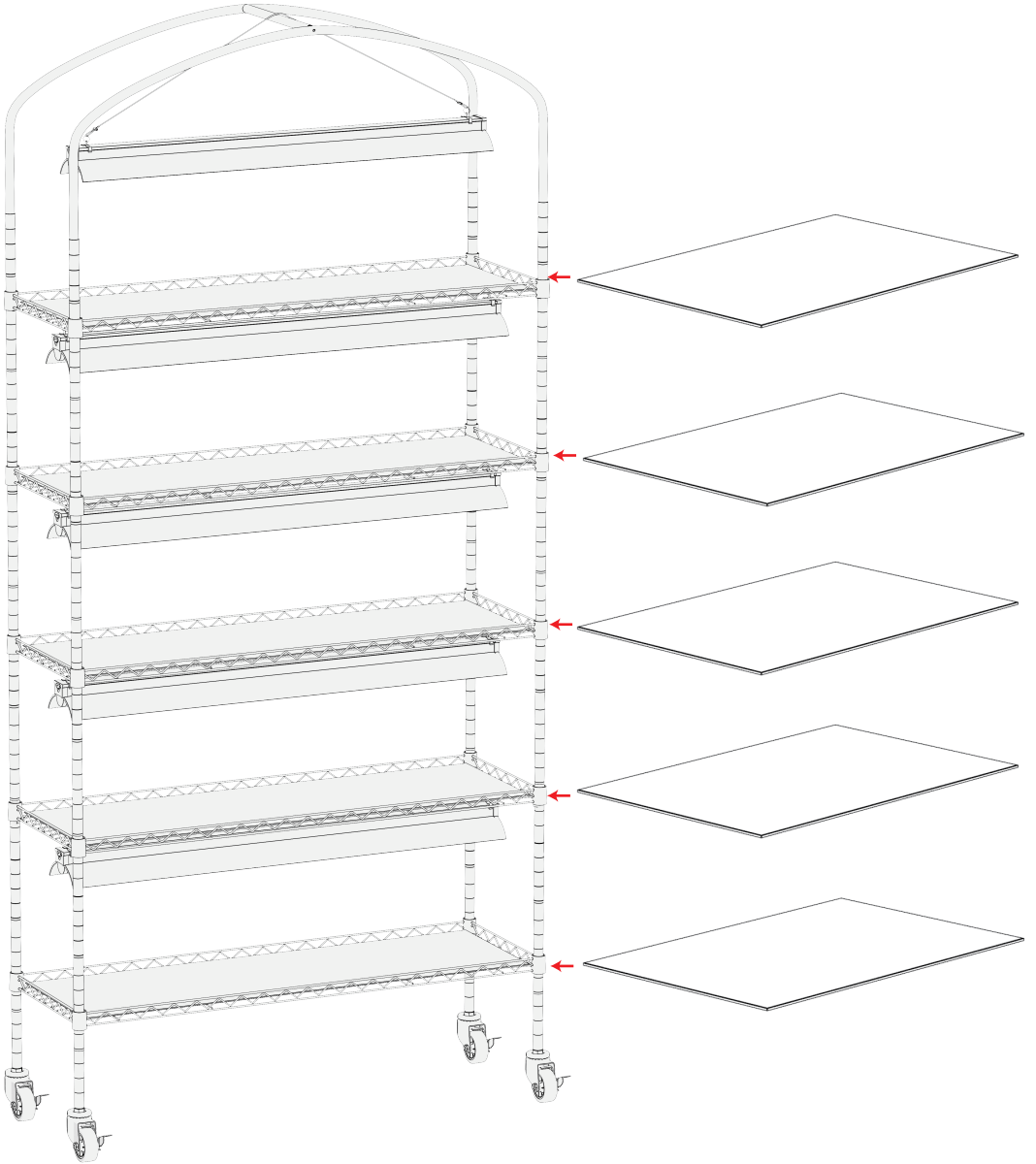


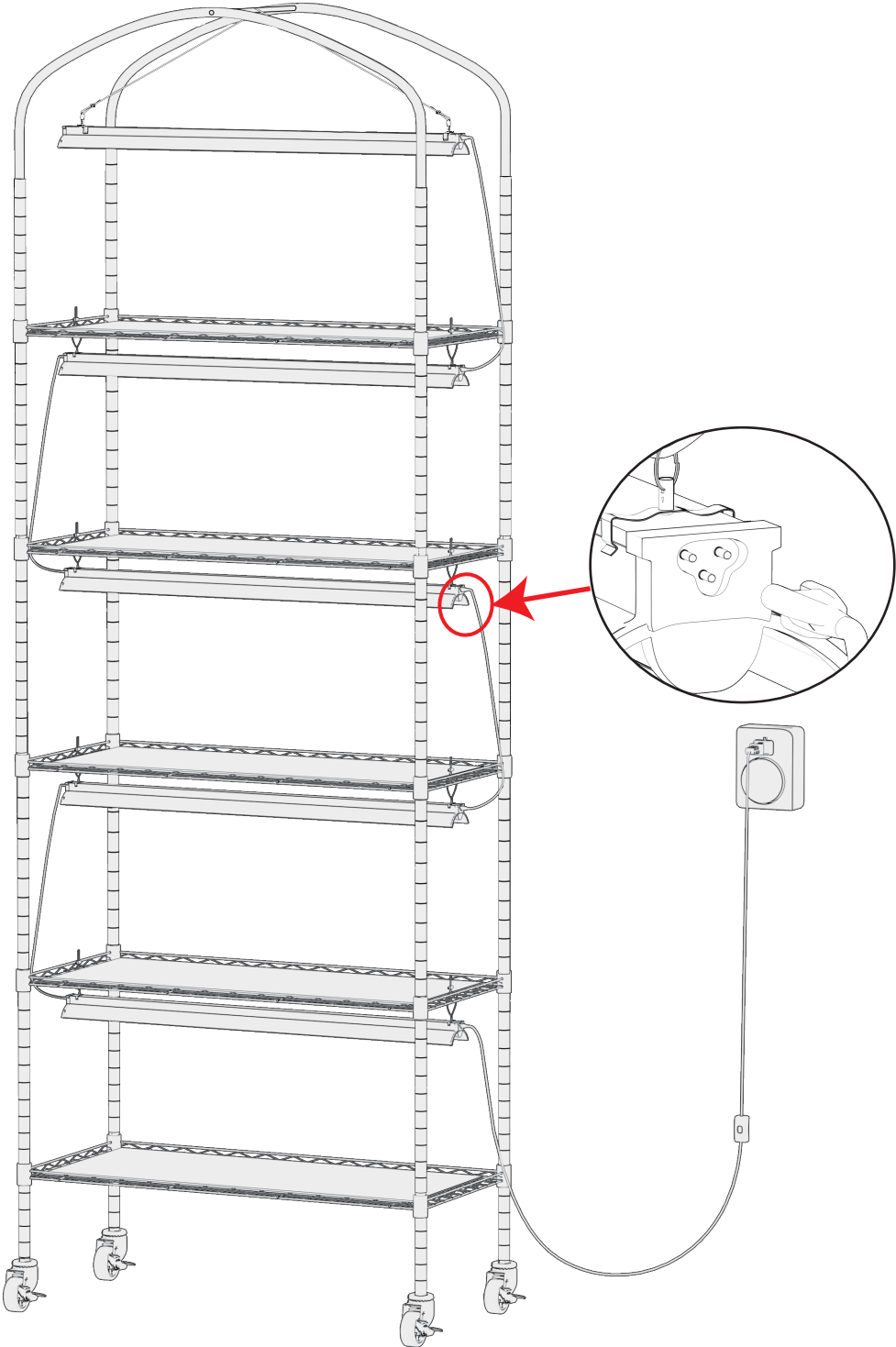
②

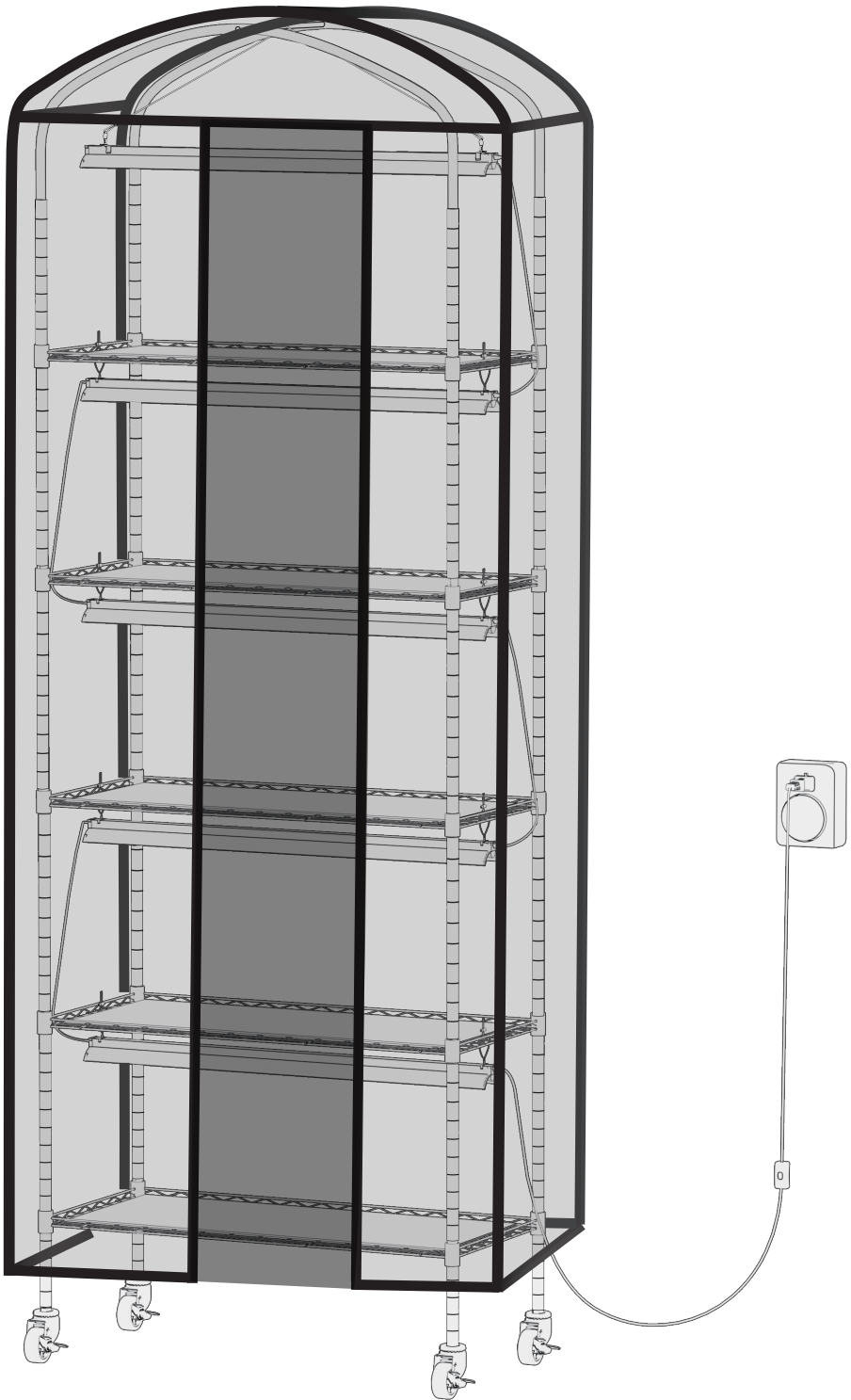


③









# REMINDER:

1. Please check the clips of each shelf whether are at the same height while one of layer is uneven.
2. In order to avoid rust, please try to use it in a dry enviroment. In case of damage or deformation, please stop using.
3. Please do not sit,jump or use this product as a platform to pick up items. Especially remind children to pay attention to safety!
4. When there are stains,please use a clean cloth to wipe. In additionfor some serious stains,u use neutral detergent or furniture cleaning agent to wipe, and then wipe with a clean cloth. Proper maintenance will extend the lifespan of the garden greenhouse.
5. When used outdoors frequently, inspect for rust every four months. If rust is present, use sandpaper to remove it and apply anti-rust paint to prolong service life.
6. Please do not use alcohol and other chemical solvent to clean the product to avoide discoloration or paint peeling.
7. This product can be used outdoors, but we recommend moving it indoors during inclement weather to prolong the lifespan of the garden greenhouse cover, as harsh weather conditions can shorten the cover's lifespan. If you encounter strong windy weather, please move it indoors to prevent it from being blown down by the strong winds.
8. If the PVC cover's zipper breaks or the seams tear during use, please follow the instructions in the Customer Support section to contact us. We'll send you a replacement.
9. Each of our grow lights is thoroughly tested for quality before leaving the factory. However, in rare cases, a malfunction may still occur during use. If you experience any lighting-related issues within one year, please contact us through the customer support section. We're committed to providing prompt and reliable after-sales support.



# Customer Support

Our brand may not be very well-known yet, but we're working hard to change that. To us, selling a product isn't the end of our relationship with the customer — it's just the beginning. So if you encounter any issues while using the product, please feel free to email us using the contact information below.

- 1、 Log in to your Amazon account.
- 2、 Go to "Your Orders" and locate your order for the greenhouse.
- 3、 Click the "Problem with Order" or "Contact Seller" button next to the order.
- 4、 Select the subject of your inquiry (e.g., product quality, shipping issues, or other concerns).
- 5、 Write your message in the provided text box and include any relevant details about your issue.
- 6、 Submit your email, and we will respond as quickly as possible to assist you.
- 7、 We value your feedback and are here to ensure you have a smooth and satisfying experience with our product.
- 8、 According to Amazon's policies, we are not allowed to directly provide buyers with our email address. If you're still unsure how to send us an email after following the above instructions, you can seek help from Amazon Buyer Support or ask a friend or family member for assistance.
- 9、 Even if the return window has passed, we will still address and resolve any after-sales issues you may have.