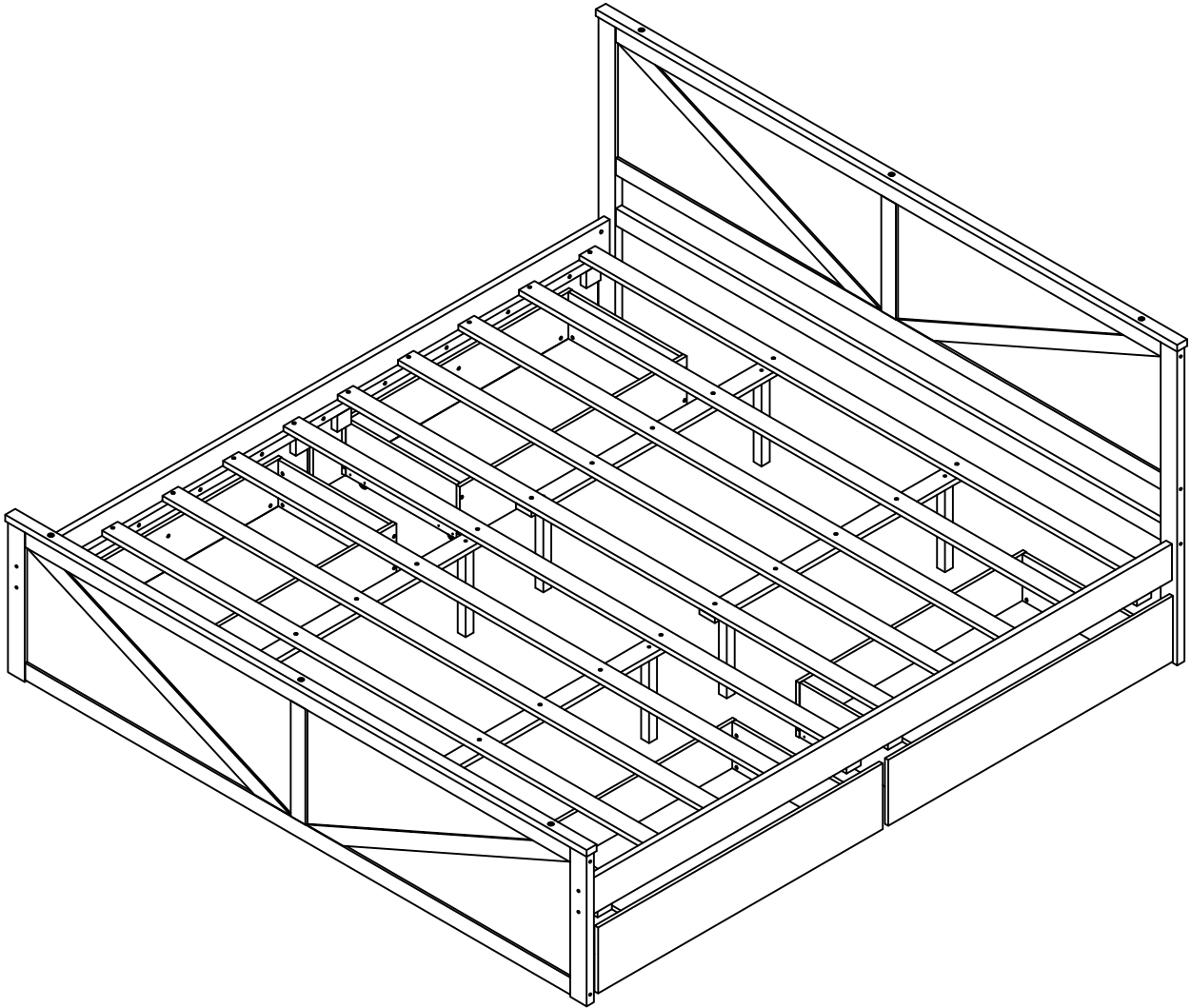
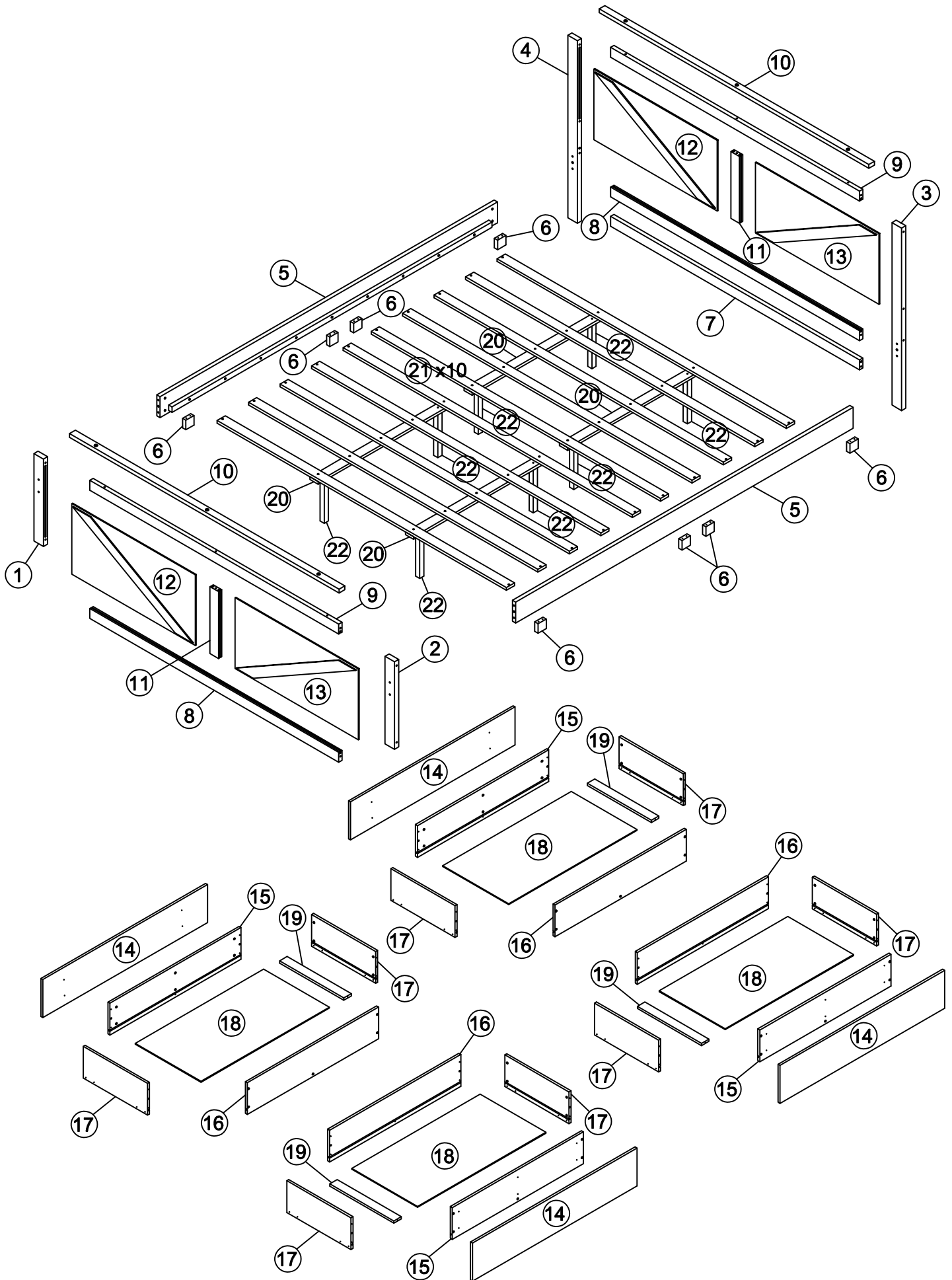


ASSEMBLY INSTRUCTIONS

KING BED WITH 4 DRAWERS



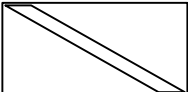
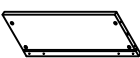
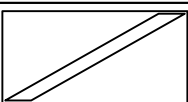

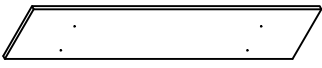




ASSEMBLY INSTRUCTIONS



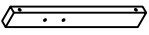

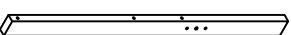


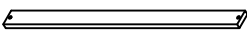

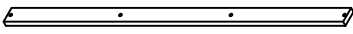
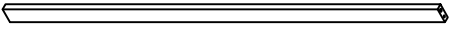
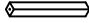



ASSEMBLY INSTRUCTIONS

(Hardware in this SKU)


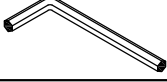







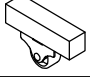




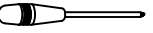
6	Drawers stopper		8pcs	16	Back drawers panel		4pcs
12	Headboard frames		2pcs	17	Side drawers panel		8pcs
13	Headboard frames		2pcs	18	Bottom drawers panel		4pcs
14	Front drawers panel		4pcs	19	Drawers support		4pcs
15	Front drawers panel		4pcs				

WF324758

1	Leg		1pc	9	Headboard panel		2pcs
2	Leg		1pc	10	Headboard panel		2pcs
3	Leg		1pc	11	Headboard panel		2pcs
4	Leg		1pc	20	Center rails		4pcs
5	Side rails		2pcs	21	Slats		10pcs
7	Headboard panel		1pc	22	Center rails legs support		8pcs
8	Headboard panel		2pcs				

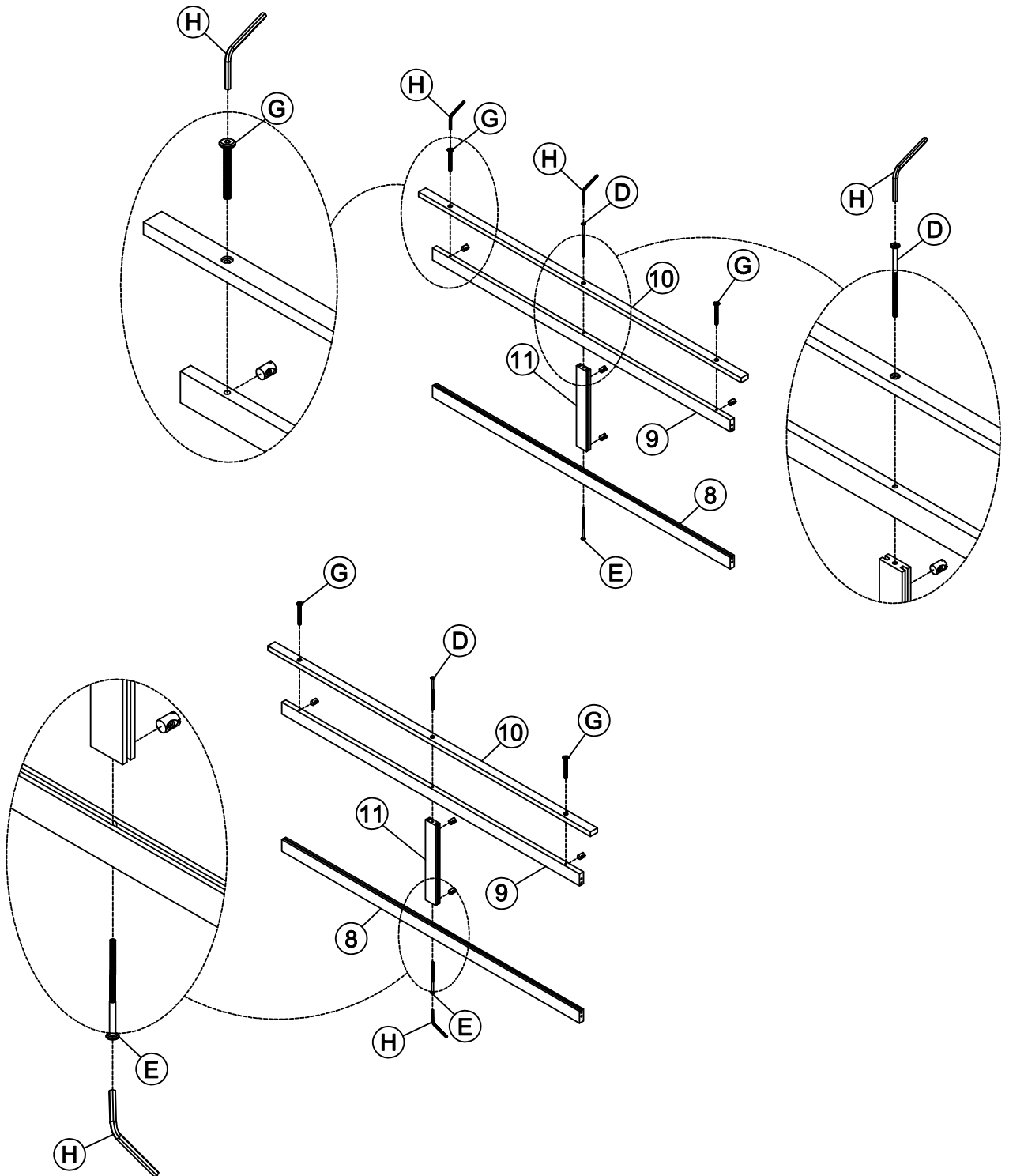
ASSEMBLY INSTRUCTIONS


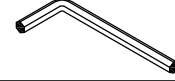


(Hardware in this SKU)

A	Ø4x30		88PCS		H	4x58		1PC
B	Ø4x20		24PCS		I	Ø10x40		6PCS
C	Ø4x38		40PCS		J	Ø8x30		16PCS
D	1/4x110		2PCS		K	6.5x50		8PCS
E	1/4x100		12PCS		L			16PCS
F	1/4x65		8PCS		M	1/4x25		8PCS
G	1/4x50		4PCS		N	9x10		40PCS
	Phillip head screw Not include							

ASSEMBLY INSTRUCTIONS

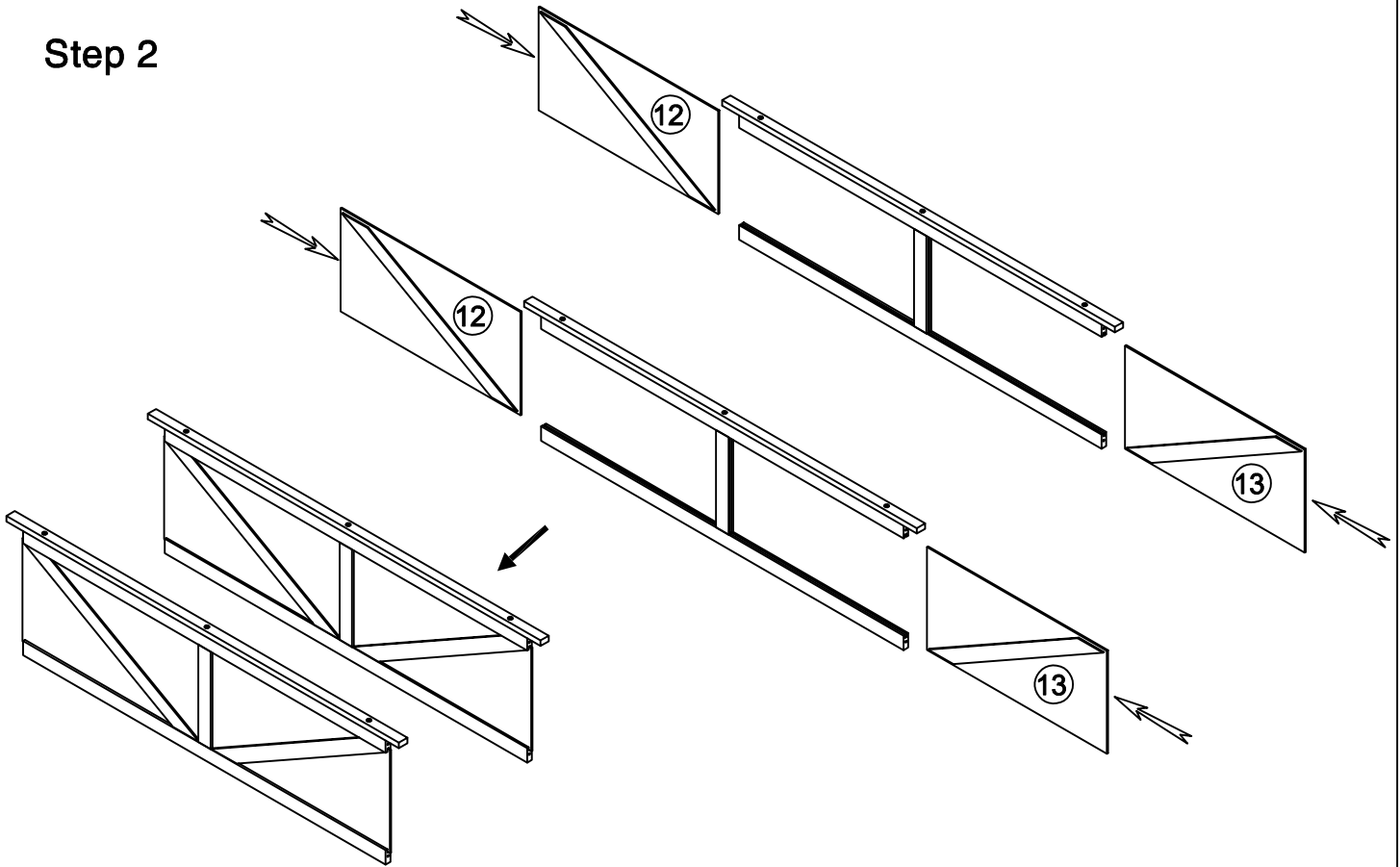
Step 1



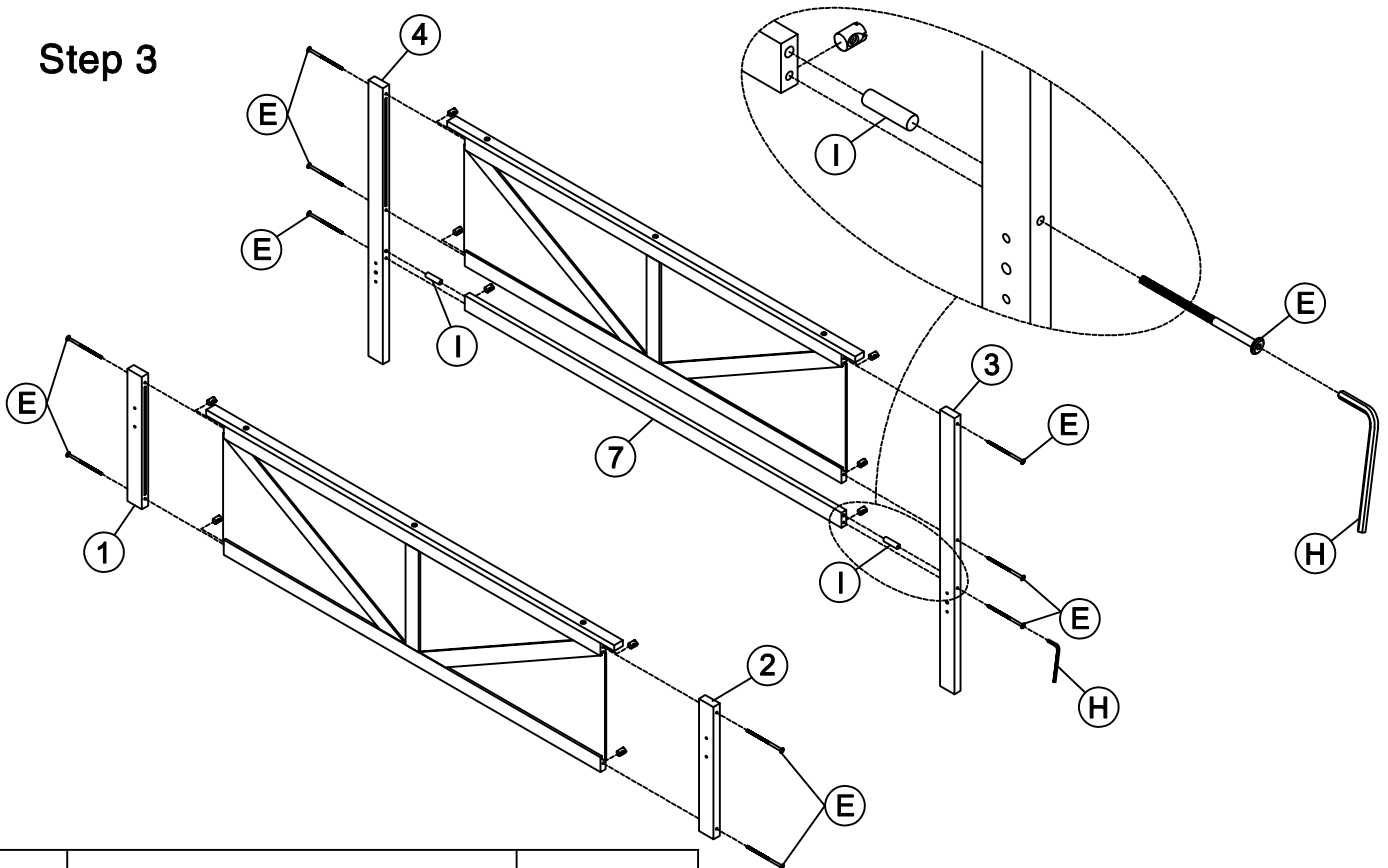
E	1/4x100 	2PCS	H	4x58 	1PC
D	1/4x110 	2PCS	G	1/4x50 	4PCS

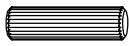


ASSEMBLY INSTRUCTIONS

Step 2



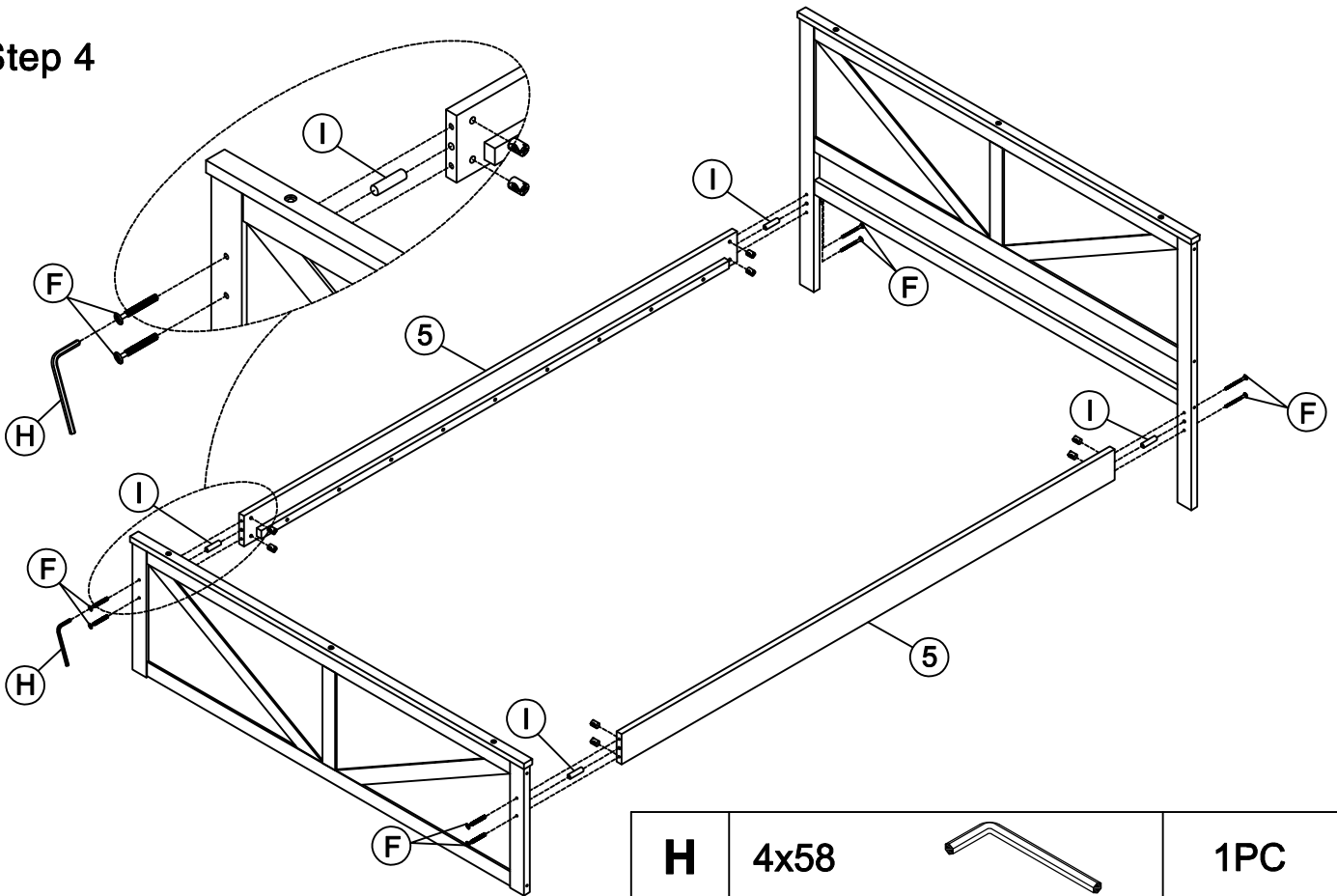
Step 3






I	Ø10x40 	2PCS			
E	1/4x100 	10PCS	H	4x58 	1PC

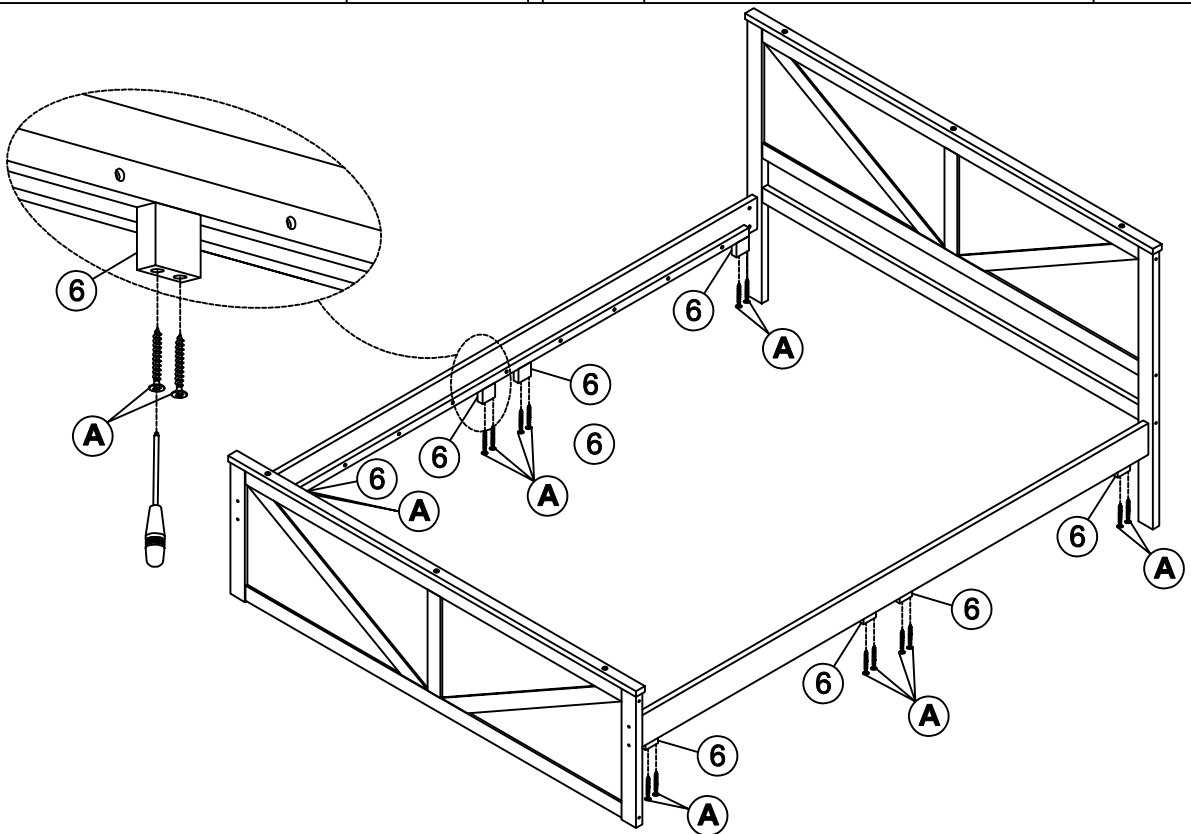
ASSEMBLY INSTRUCTIONS


Step 4



H	4x58		1PC
F	1/4x65		8PCS
I	Ø10x40		4PCS

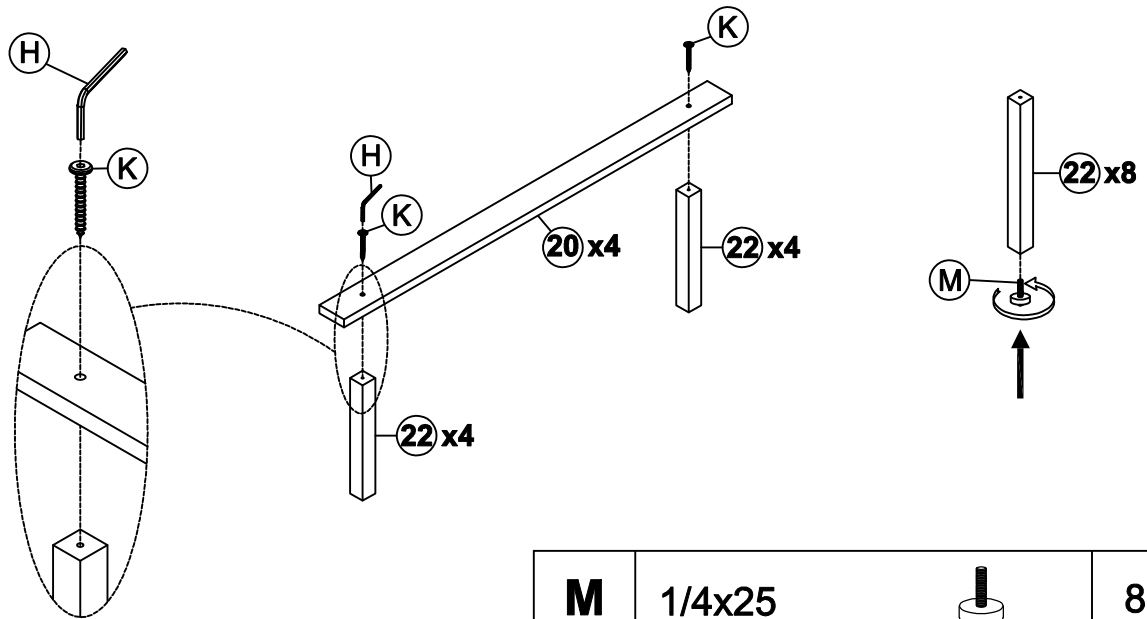
Step 5






A	Ø4x30		16PCS
----------	-------	---	-------

ASSEMBLY INSTRUCTIONS

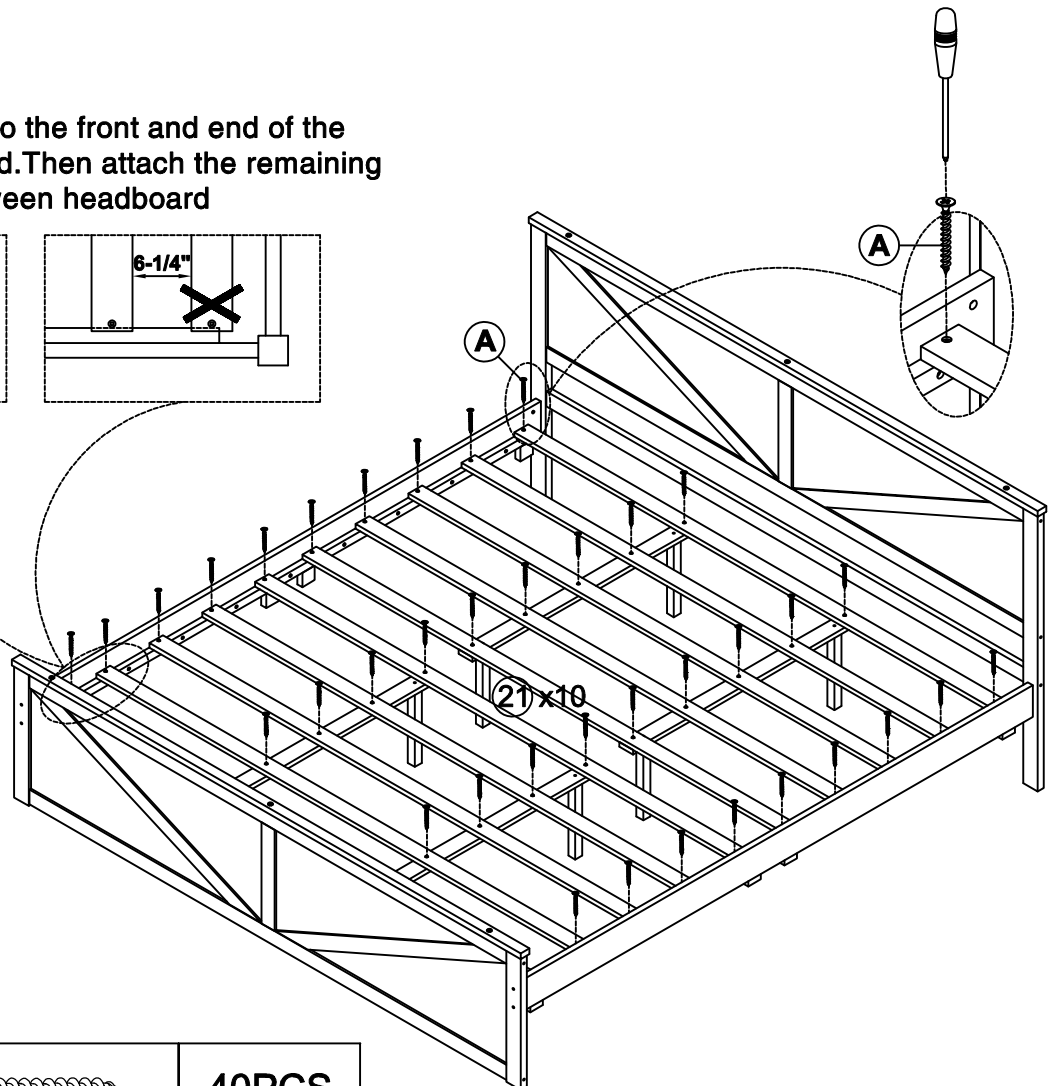
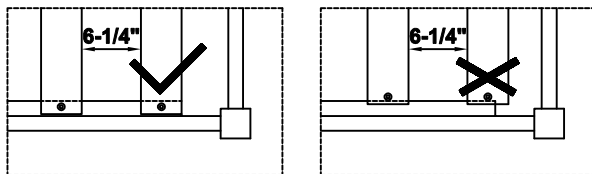
Step 6



K	6.5x50		8PCS	M	1/4x25		8PCS
				H	4x58		1PC

Step 7

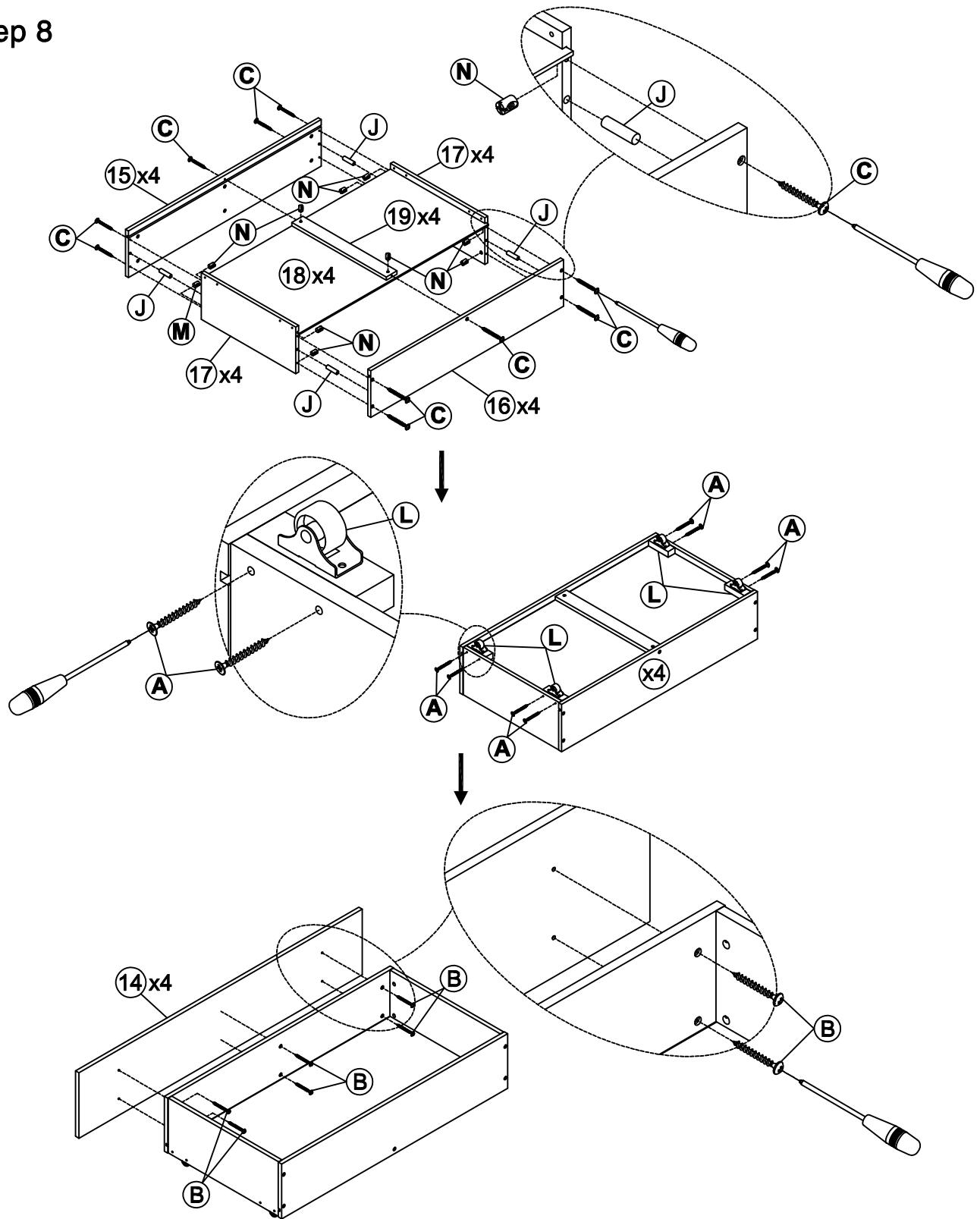
First attach 2pcs part 21 to the front and end of the frame between headboard. Then attach the remaining part 21 equidistantly between headboard




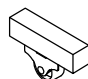




A	Ø4x30		40PCS
----------	-------	---	-------

ASSEMBLY INSTRUCTIONS

Step 8



A	Ø4x30		32PCS	N	9x10		40PCS
B	Ø4x20		24PCS	L			16PCS
C	Ø4x38		40PCS	J	Ø8x30		16PCS

ASSEMBLY INSTRUCTIONS

Step 9

