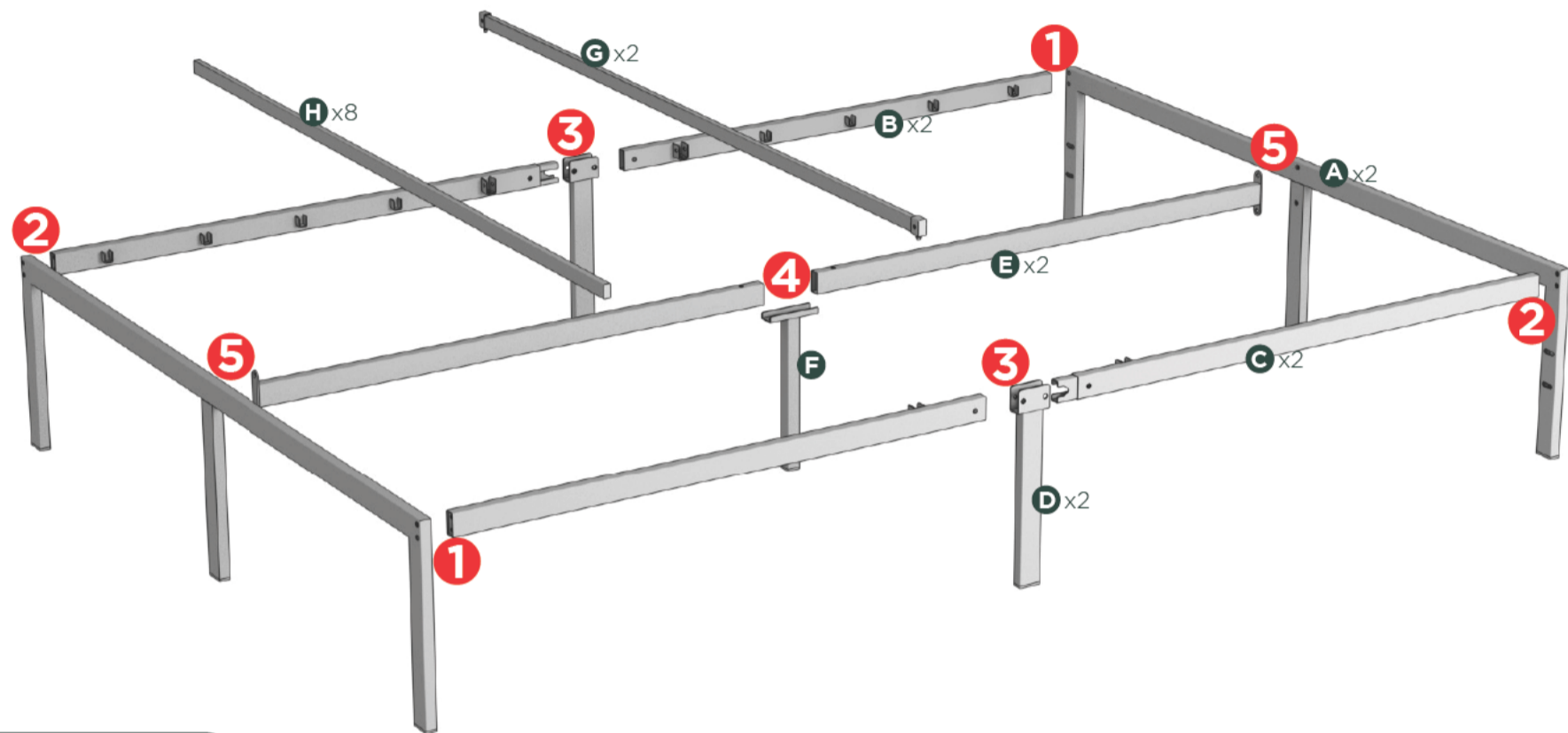
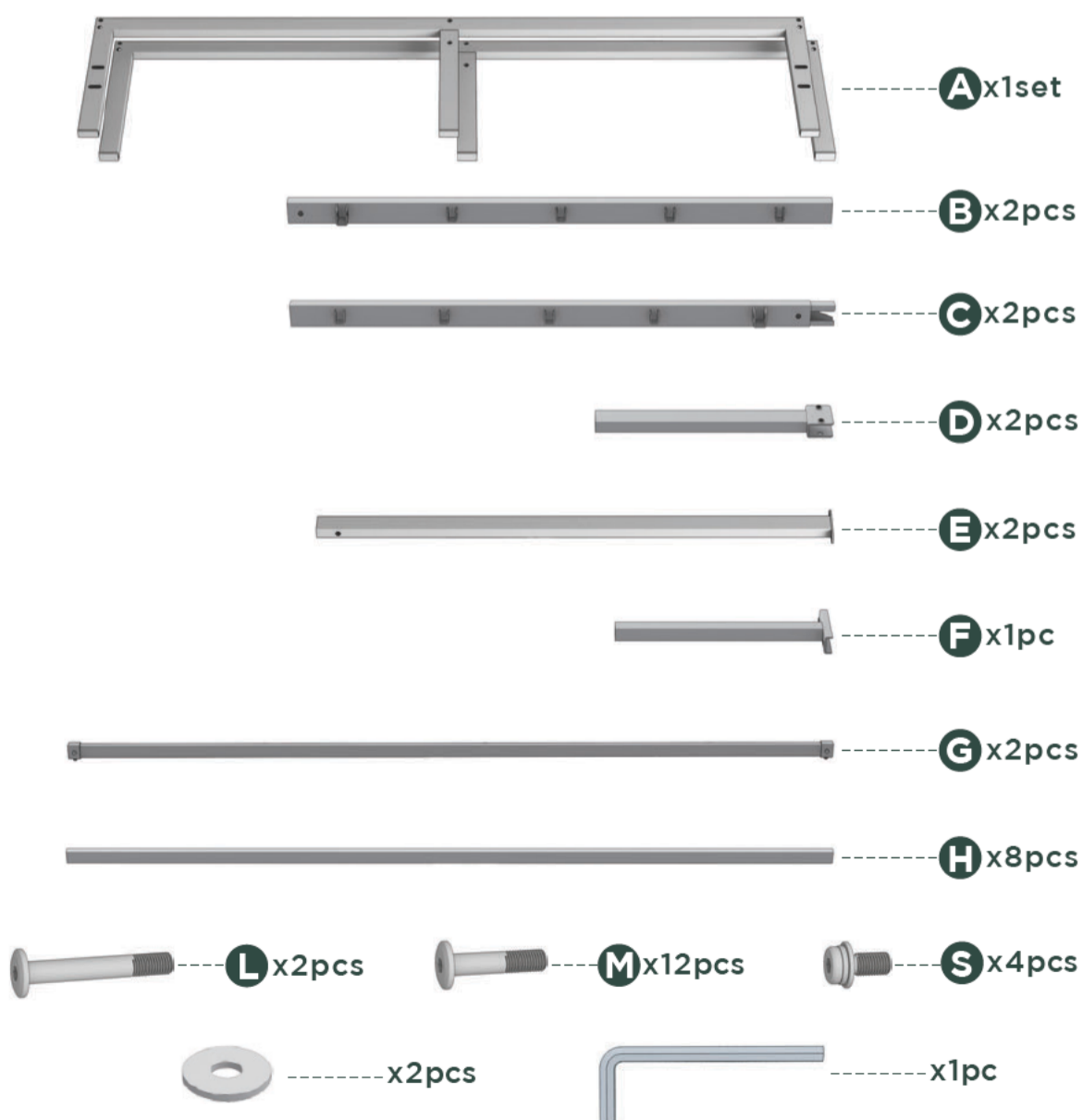


# Easy as 1-2-3 Assembly Instruction

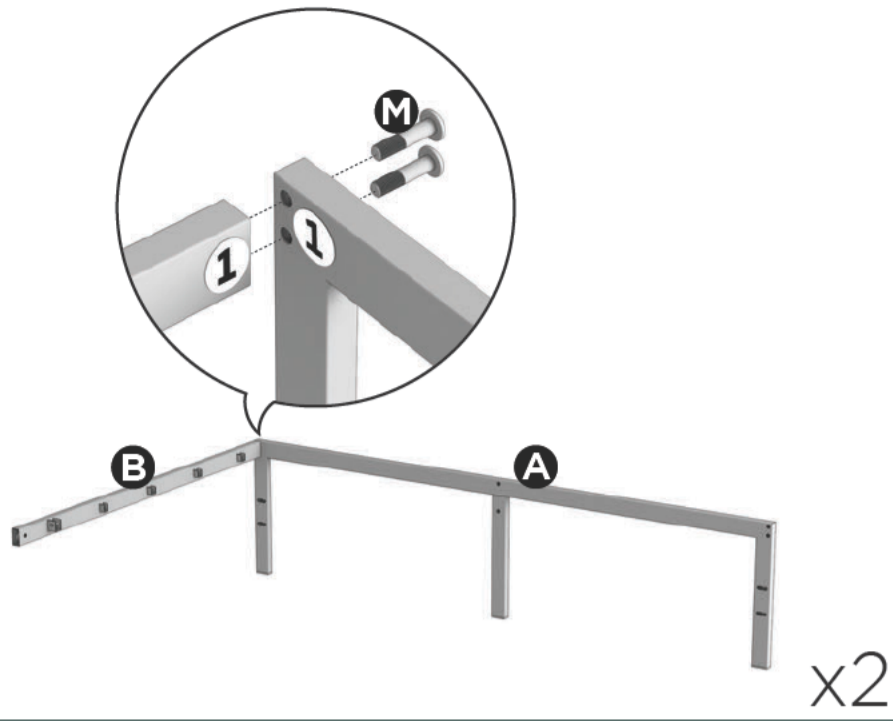
Numbers must Match for Secure Assembly



## Components

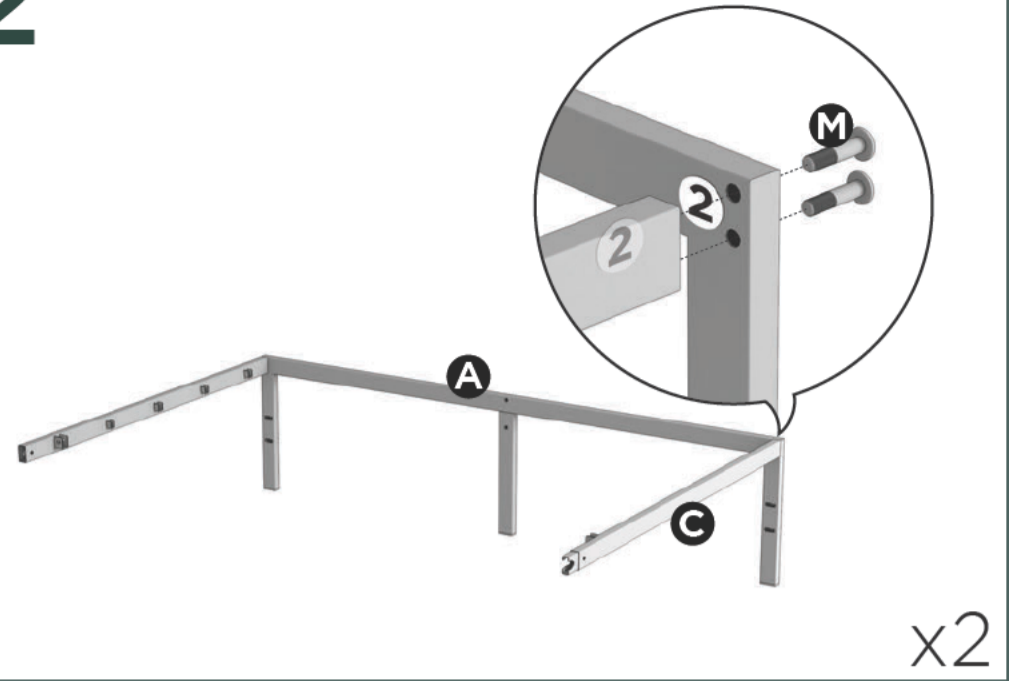


1



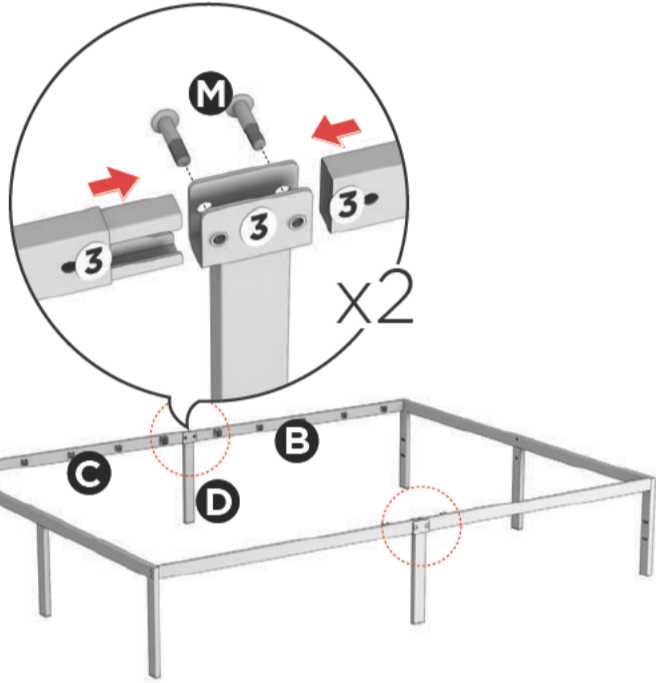
x2

2



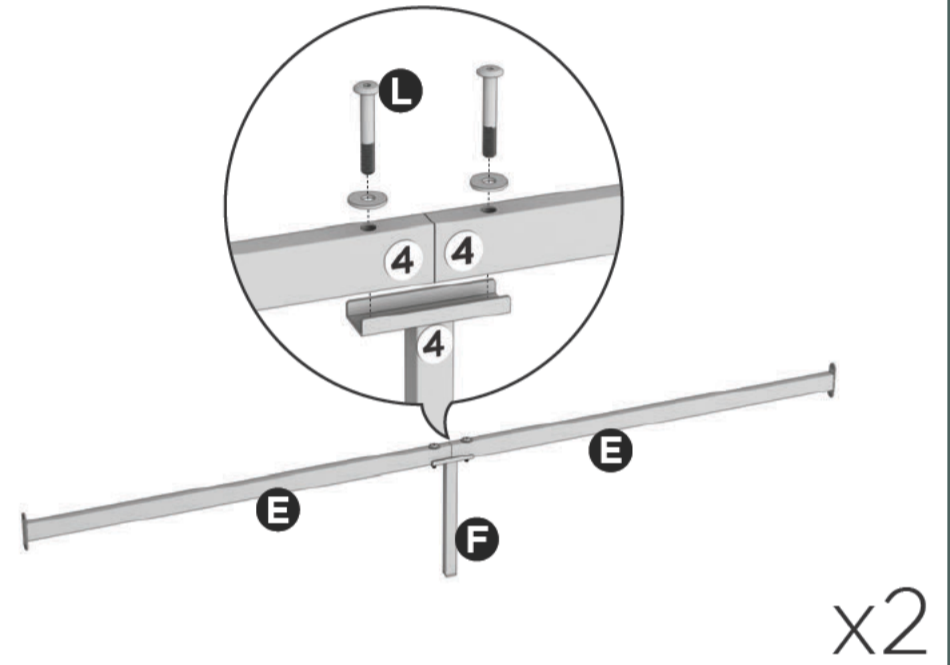
x2

3



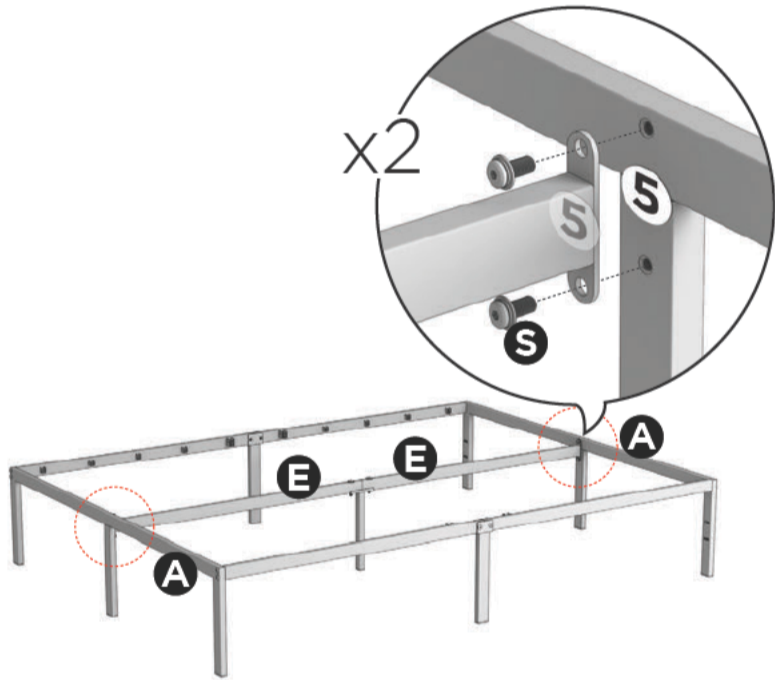
x2

4



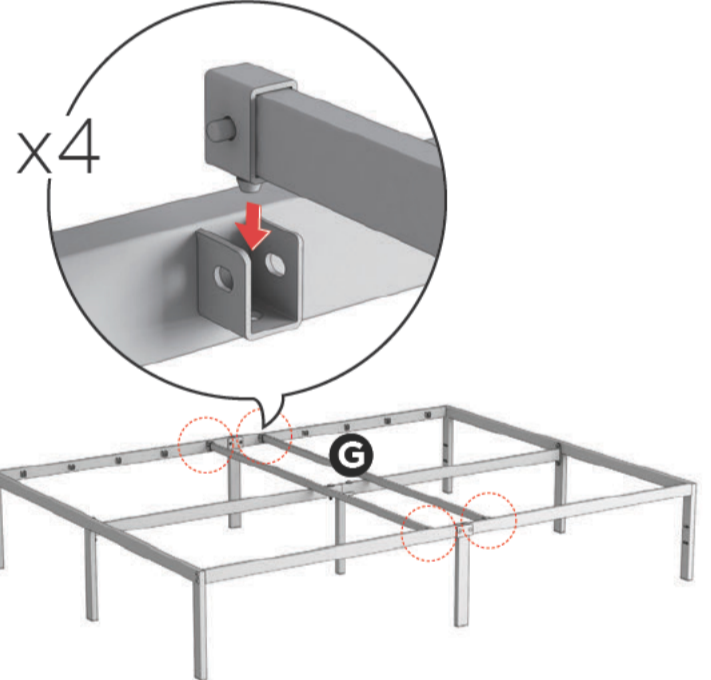
x2

5



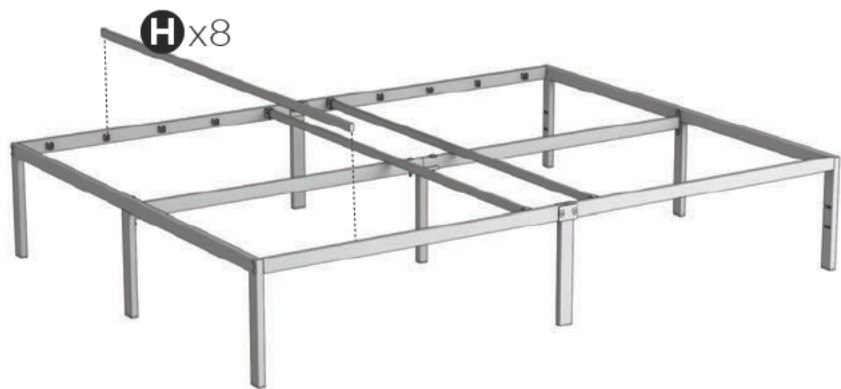
x2

6



x4

7



H x8

8

