

# ASSEMBLY INSTRUCTIONS

## HARDWARE



M6x20

(A) x 03



Ø6

(B) x 03



4mm

(C) x 01

## PARTS

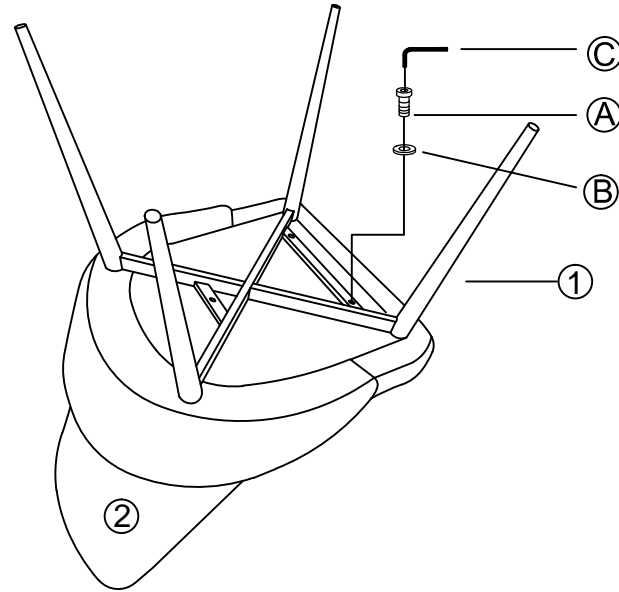


(1) x 1 PC



(2) x 1 PC

1



2

