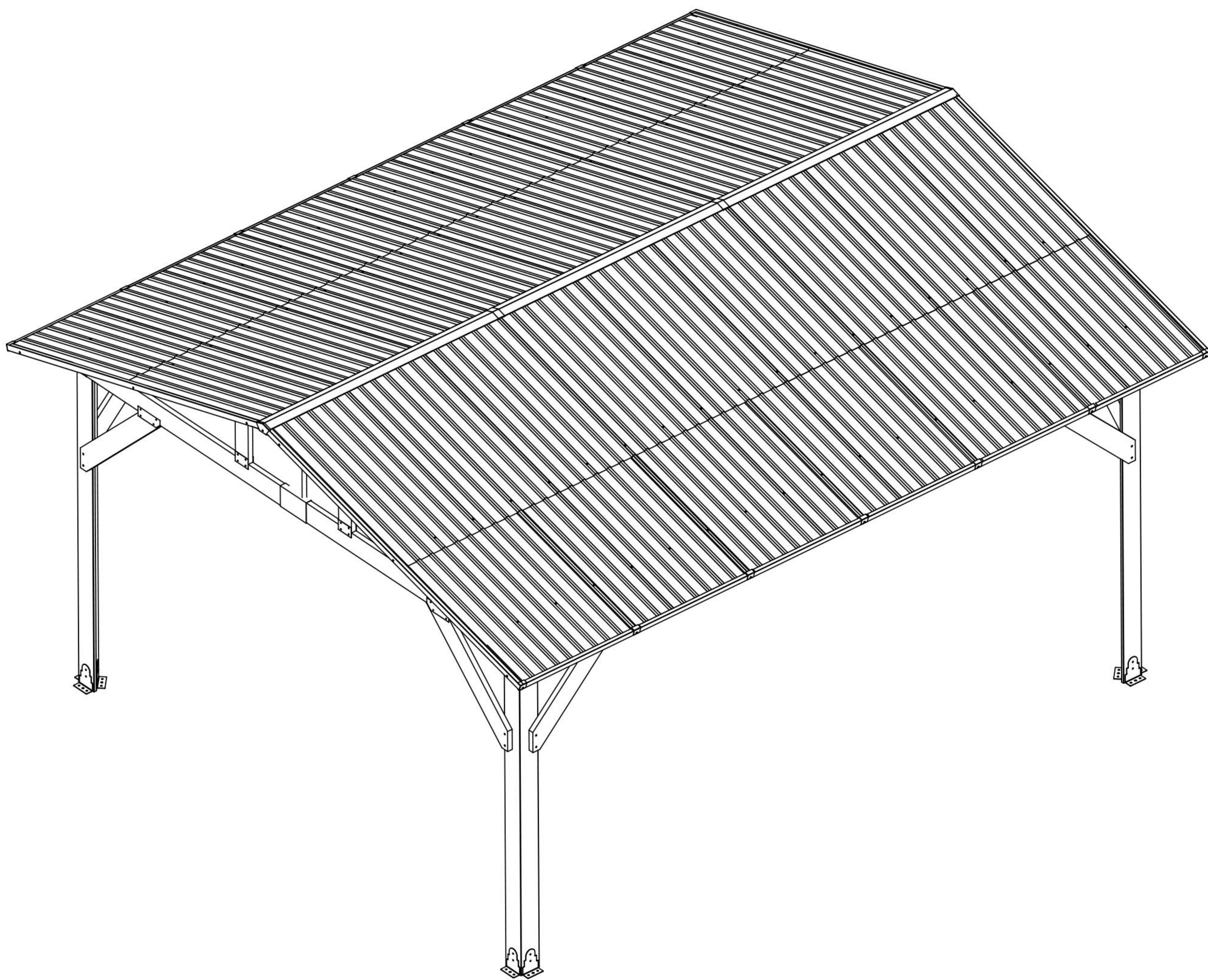


Metal Roof  
Cedar Wooden Gazebo 11X13FT

SKU:C001G043V2-1  
C001G043V2-2  
C001G043V2-3  
C001G043V2-4

# ASSEMBLY INSTRUCTIONS



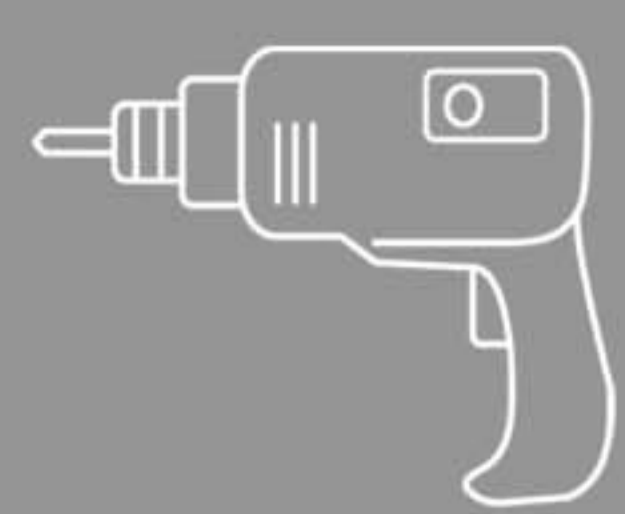
Please check the number of parts in the following accessory catalogue when unpacking. We have sent you more small parts for spare. If there is any missing or any questions about the installation. Please feel free to contact us. We will reply within 24 hours.



E-mail: [cs.helper01@gmail.com](mailto:cs.helper01@gmail.com)

## TOOLS RECOMMENDED

\*NOTE: The recommended tools are not included in boxes and need to be prepared by yourself.



DRILL



RUBBER Mallet



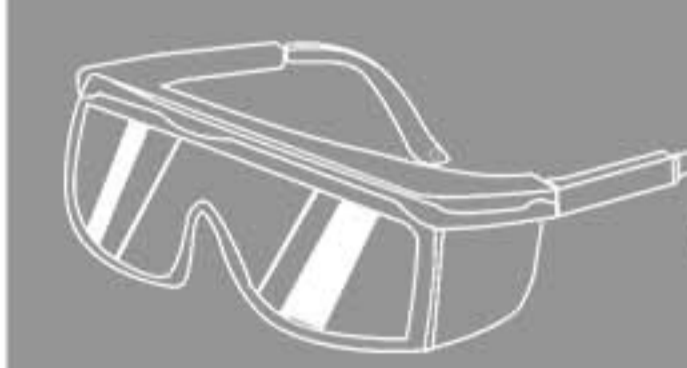
STEPLADDER  
(6.5Ft Or More)



SAFETY HAT



GLOVES



SAFETY GOGGLES

## ATTENTIONS



Since it is easy to lose many small accessories during the installation, please collect all the screw accessories before the assembly is completed



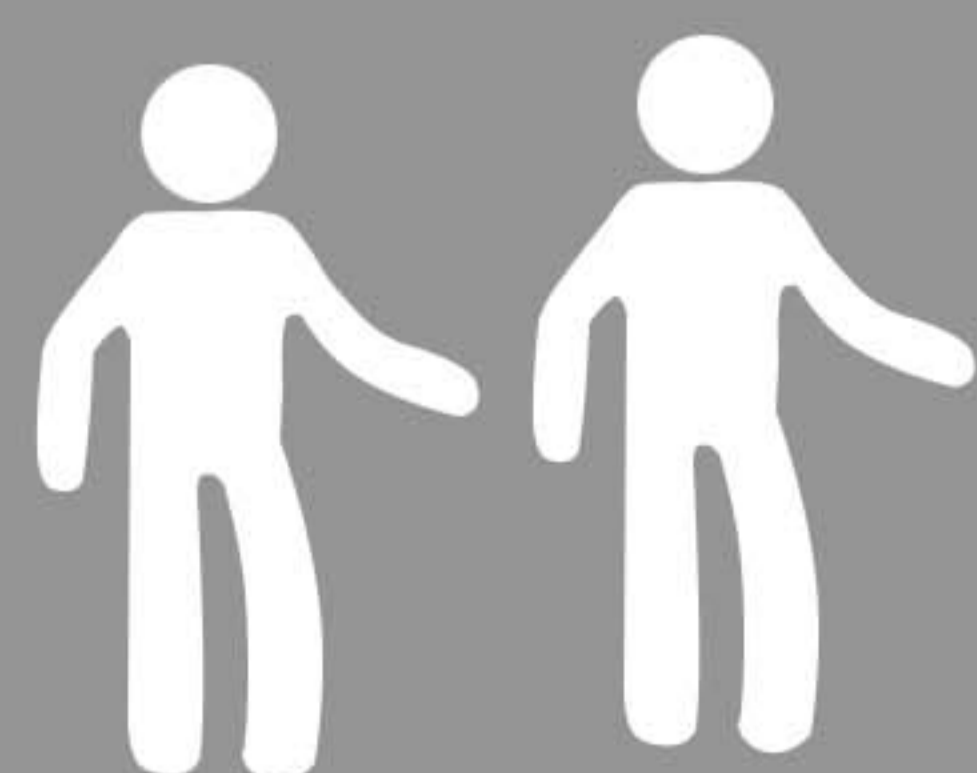
To better align the screws for practical situations, do not fully tighten screws initially



Please reinforced the Gazebo and do not use in heavy winds or inclement weather



Make sure all screws are tightened before use and check all screws, buckles and straps every 90 days

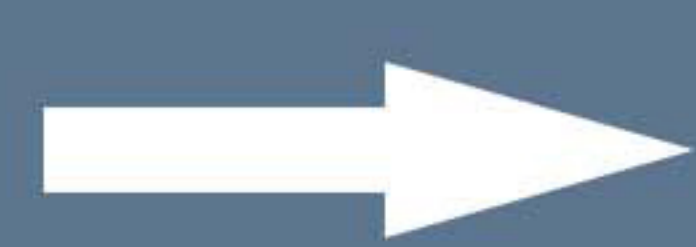


Two or more people are required for assembly



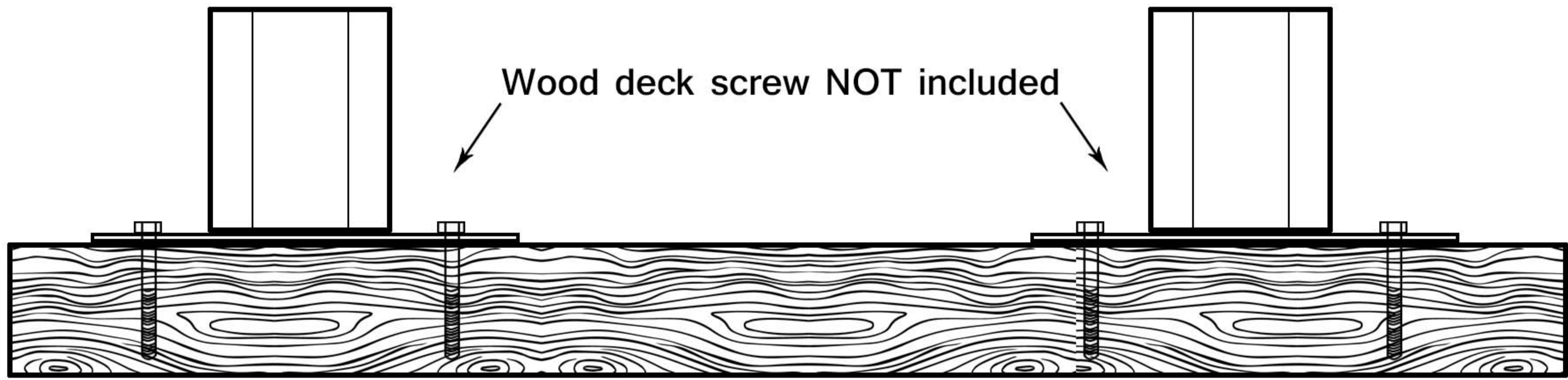
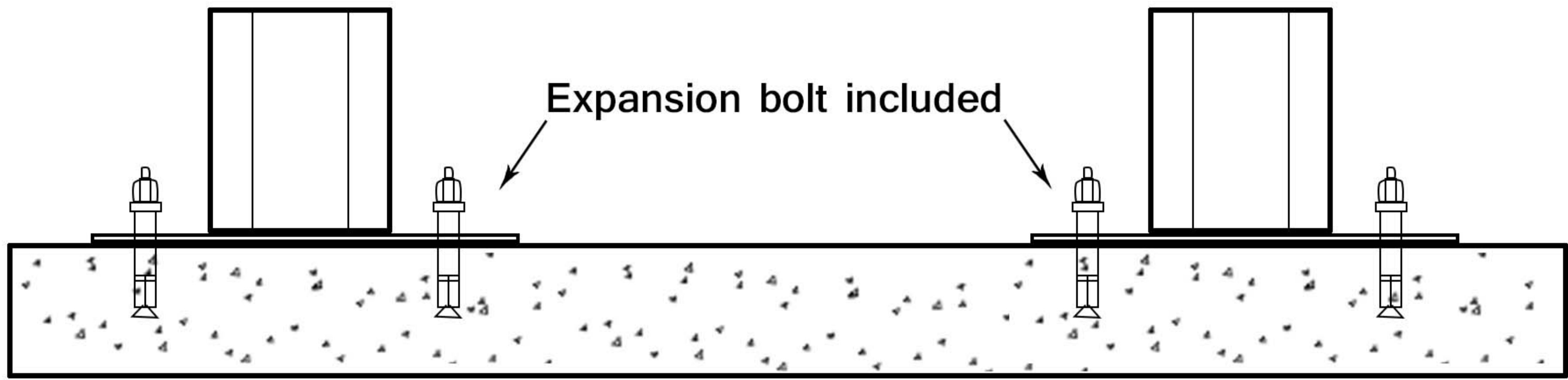
Please clear the snow off the roof in time for the heavy snowfall and do not use it

Please take care of the screws and contact the after-sales service if there is any problem with the installation or parts.

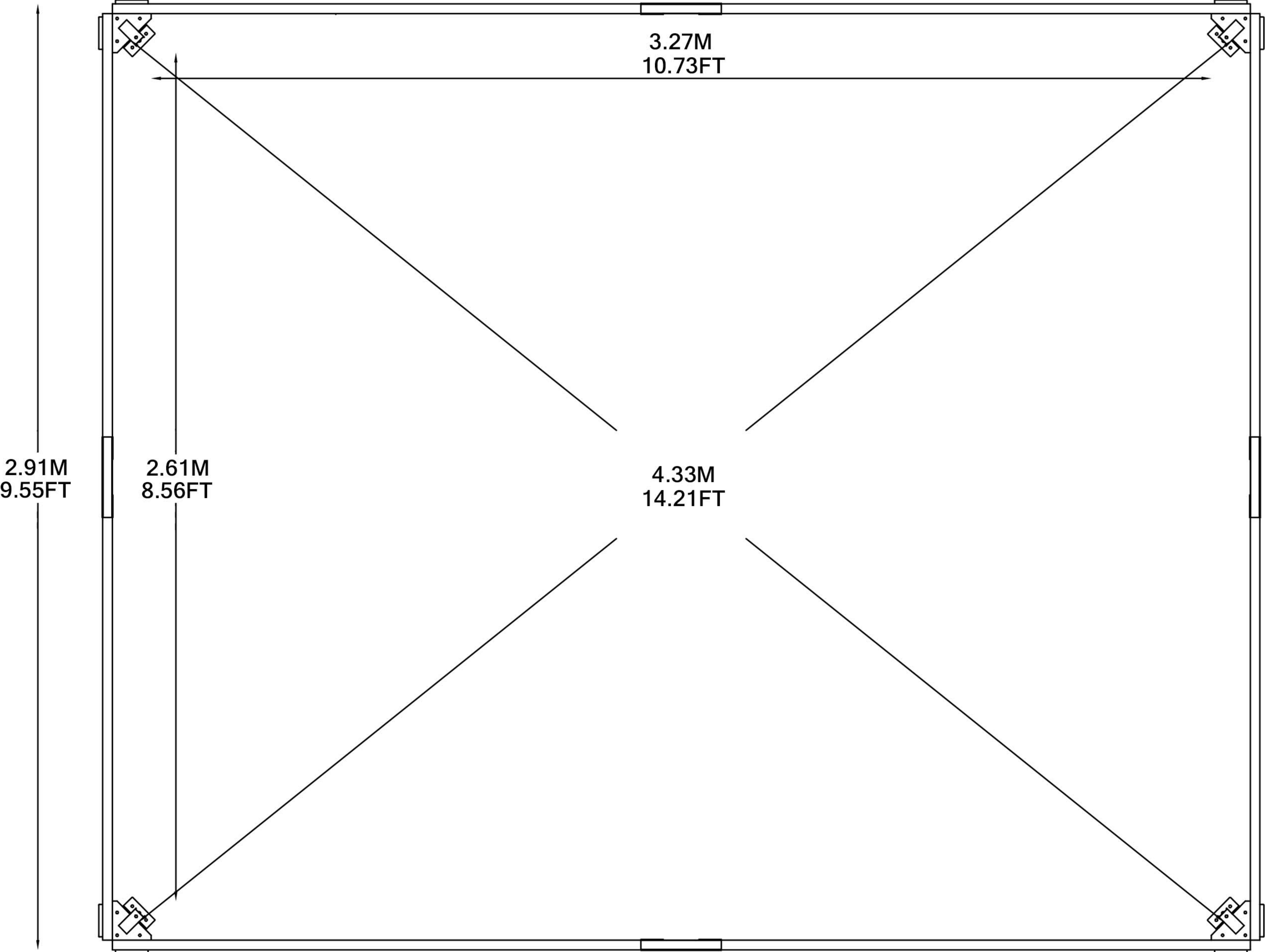


# Permanent Installation Examples

Our supporting expansion screws can only be used for cement floors, customers need to bring their own special screws if they are used for wood floors



3.57M  
11.71M



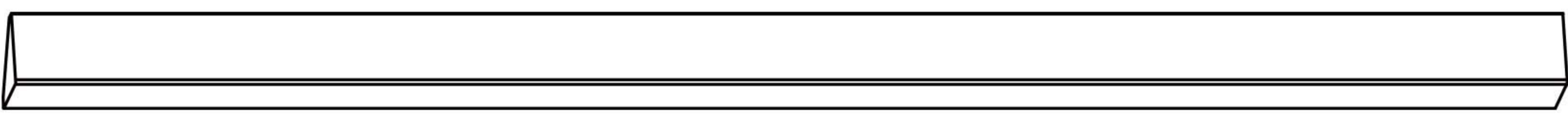
Please take care of the screws and contact the after-sales service if there is any problem with the installation or parts.

➔ ✉ E-mail: [cs.helper01@gmail.com](mailto:cs.helper01@gmail.com)

# ACCESSORY CATALOGUE

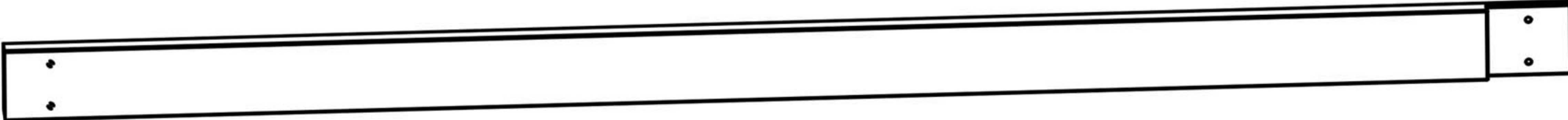
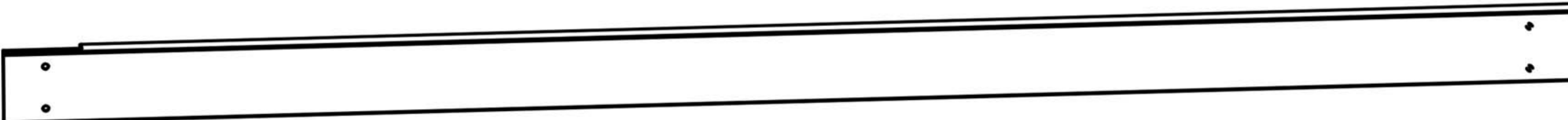




## BOX 1

SKU: C001G043V2-1

Item no.	Reference Image	Qty.
<b>A</b>		4


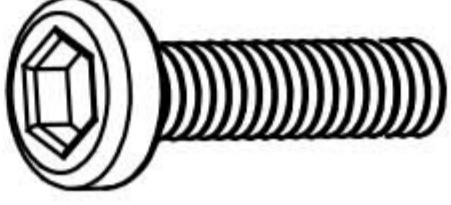

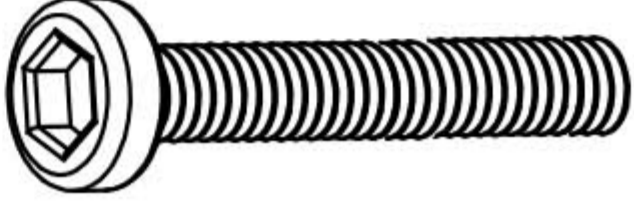
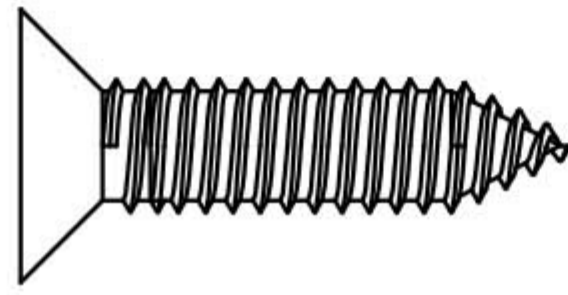
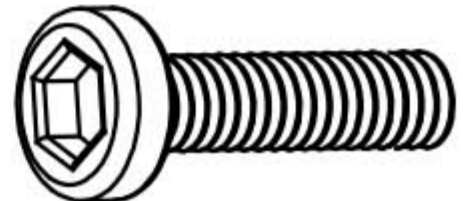

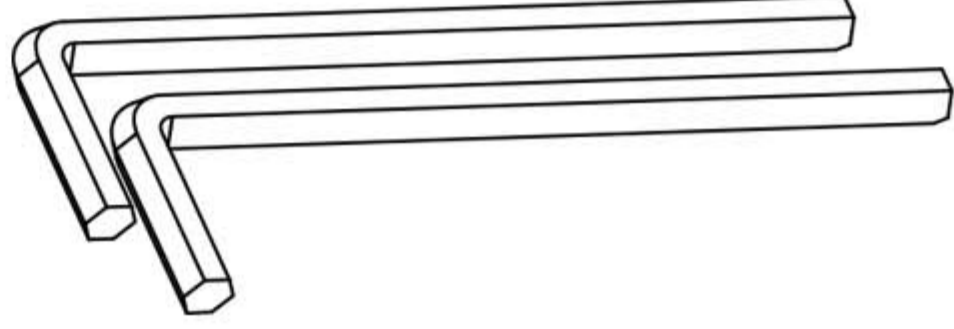
## BOX 2

SKU: C001G043V2-2

Item no.	Reference Image	Qty.
<b>B</b>		2
<b>B1</b>		2
<b>C</b>		2
<b>C1</b>		2
<b>E</b>		4
<b>F</b>		8

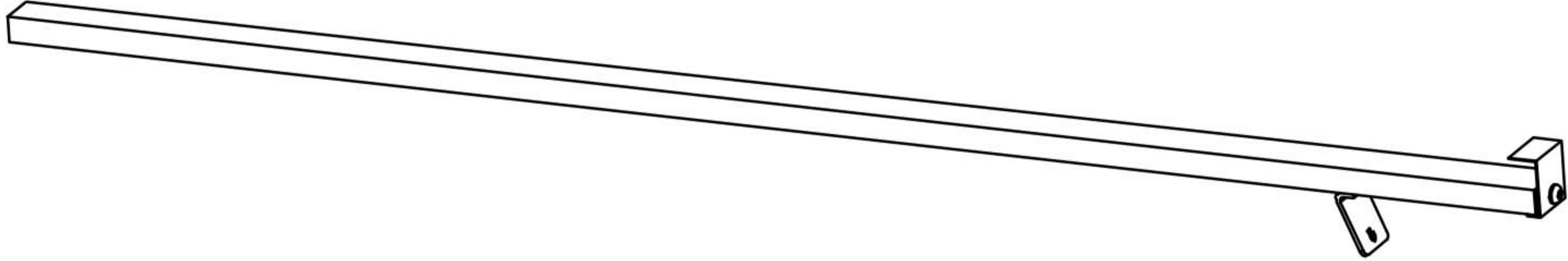
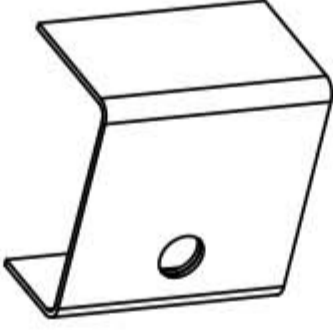
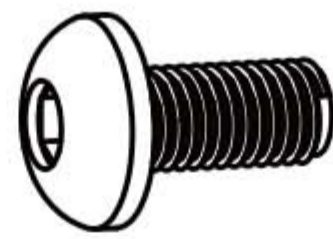
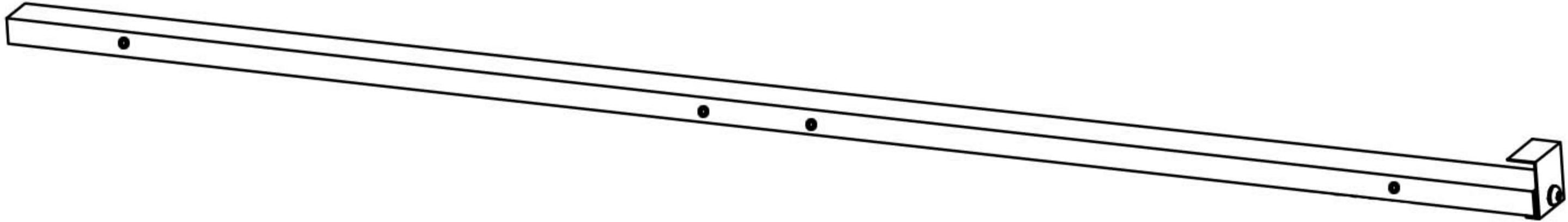
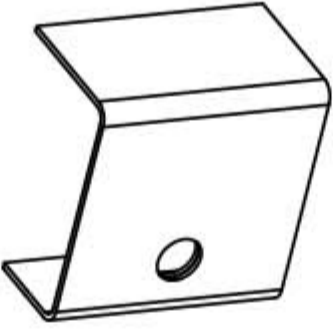
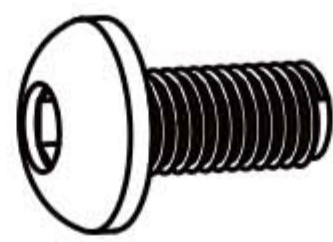
Please take care of the screws and contact the after-sales service if there is any problem with the installation or parts.

# ACCESSORY CATALOGUE

Item no.	Reference Image	Qty.	Item no.	Reference Image	Qty.
<b>V</b>		<b>2</b>	<b>X2</b>	 M8x45mm	<b>32</b>
<b>V1</b>		<b>4</b>	<b>X3</b>	 M8x95mm	<b>4</b>
<b>X</b>	 M4x35mm	<b>16</b>	<b>X4</b>	 M8x50mm	<b>4</b>
<b>X1</b>	 M8x20mm	<b>24</b>	<b>1</b>		<b>1</b>

## BOX 3

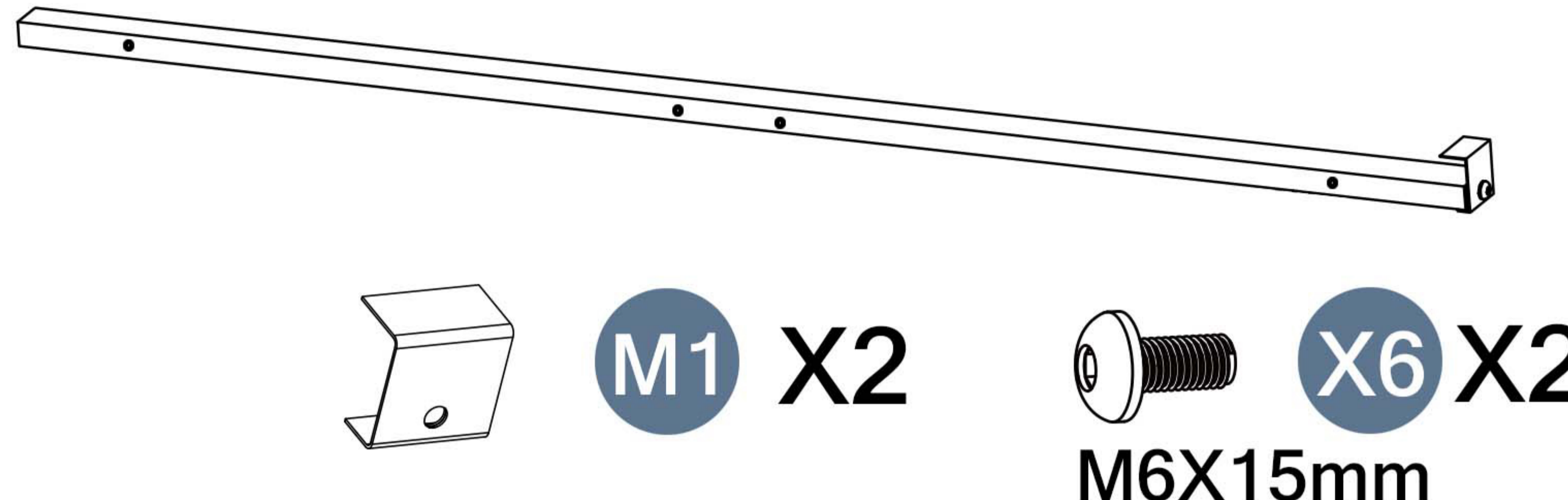
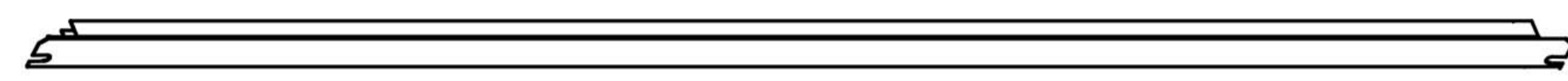
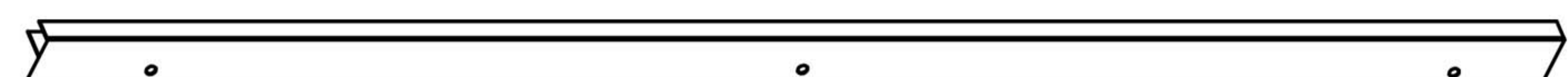
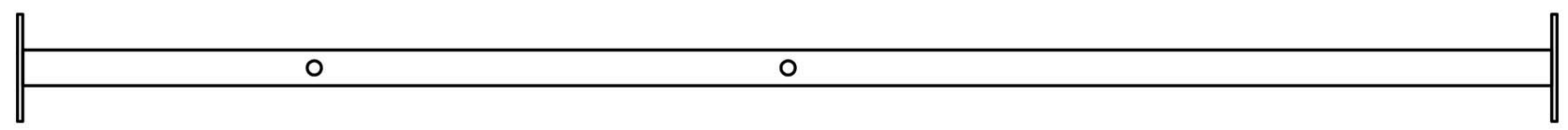
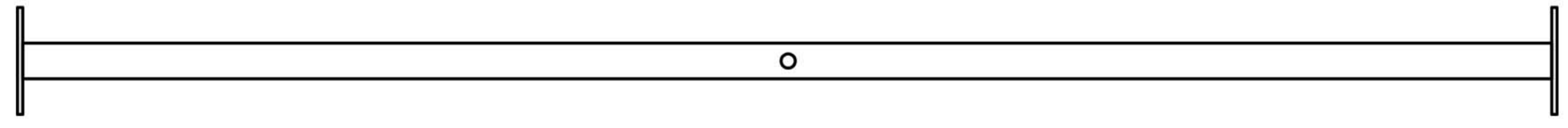
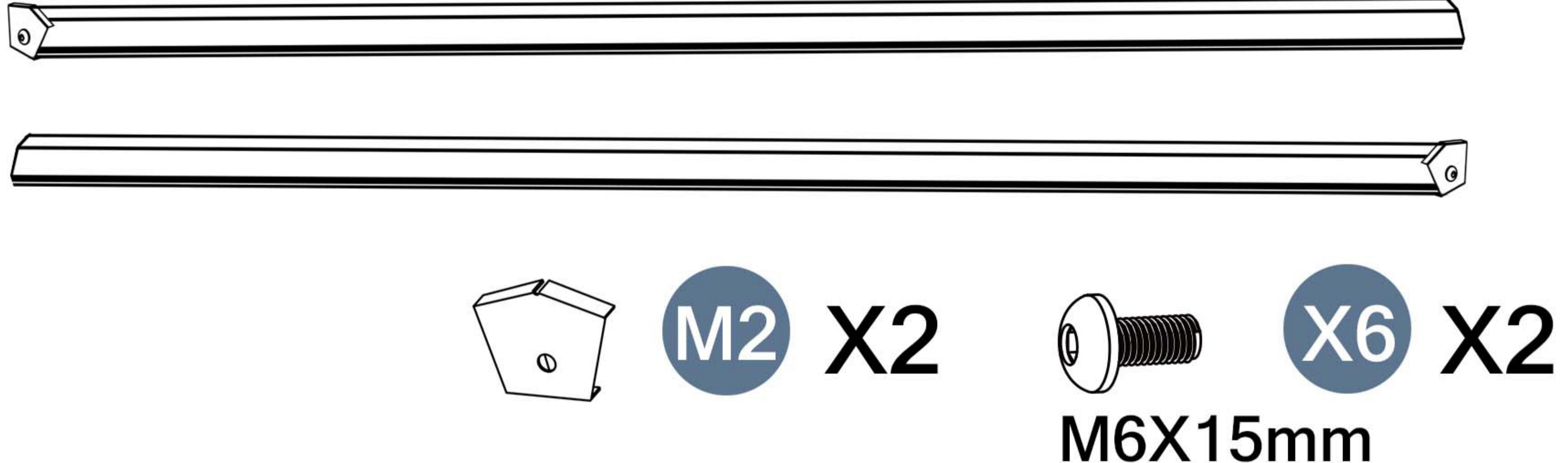

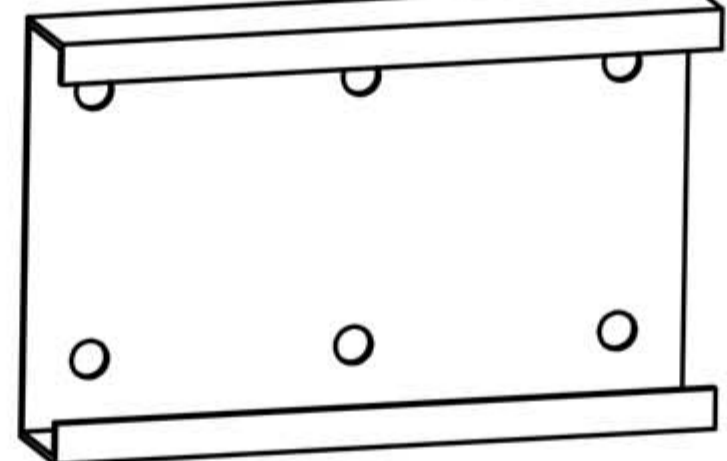
SKU: C001G043V2-3

Item no.	Reference Image	Qty.
<b>D</b>	  <b>M1 X6</b>  <b>X6 X6</b> M6X15mm	<b>6</b>
<b>D1</b>	  <b>M1 X2</b>  <b>X6 X2</b> M6X15mm	<b>2</b>

Please take care of the screws and contact the after-sales service if there is any problem with the installation or parts.

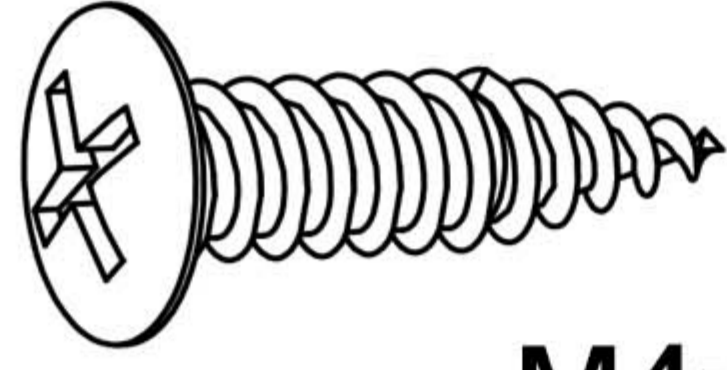
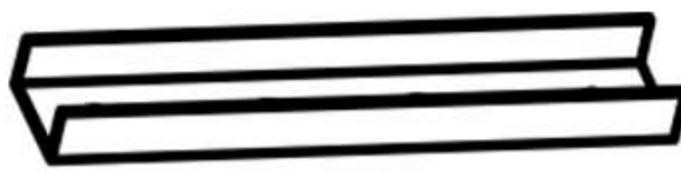
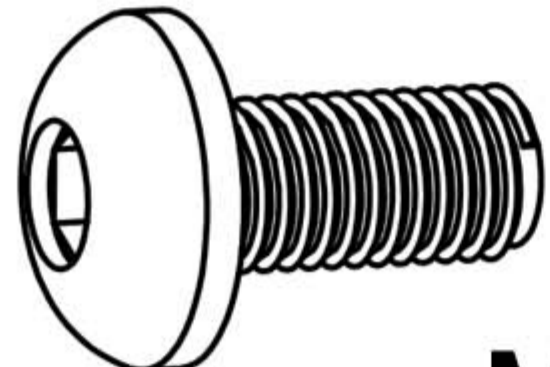
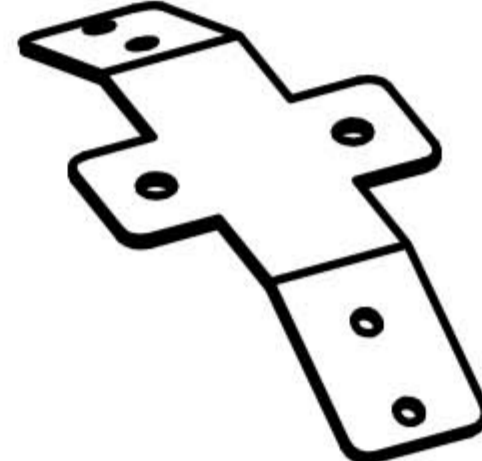
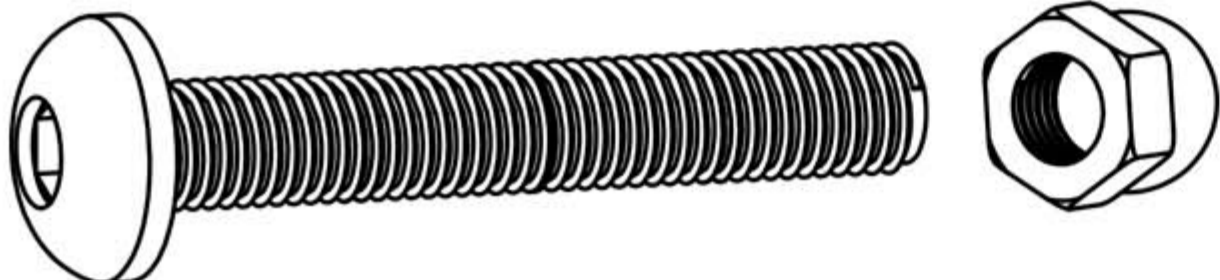
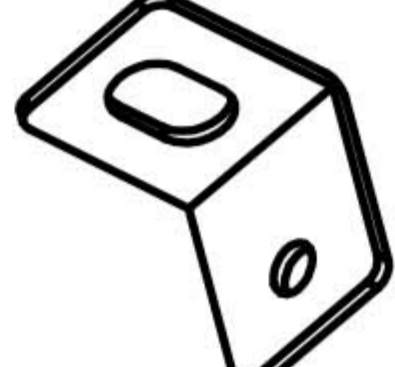
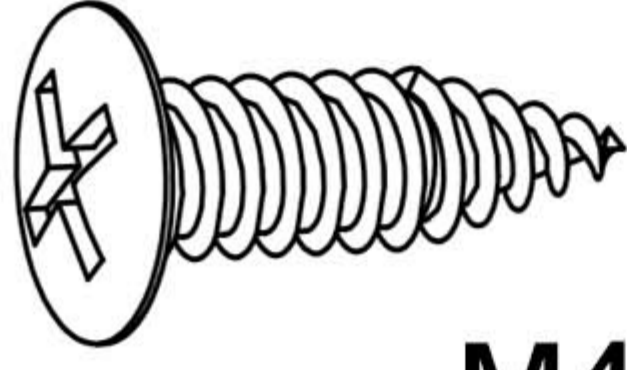


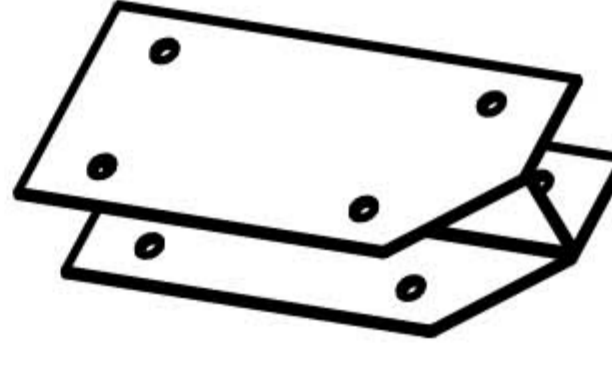
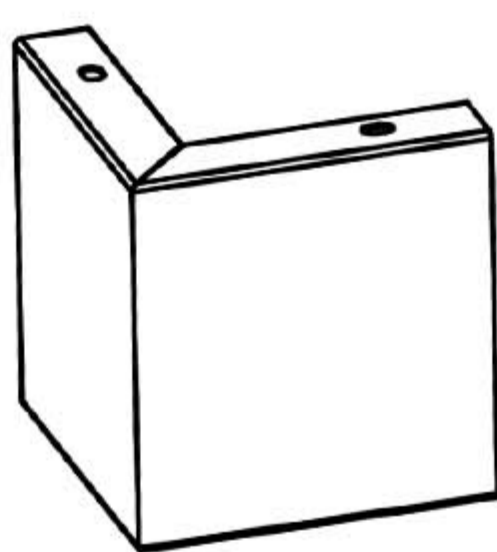
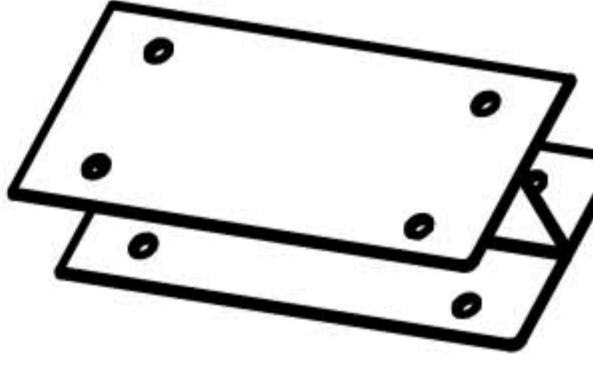
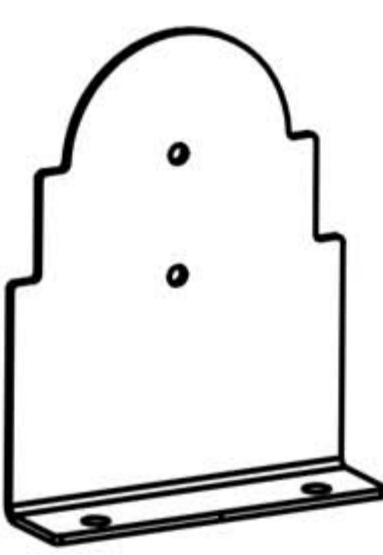
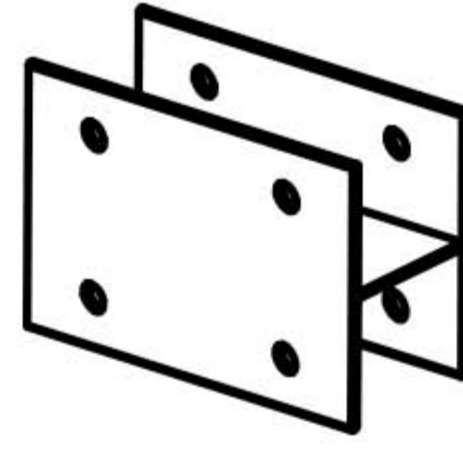
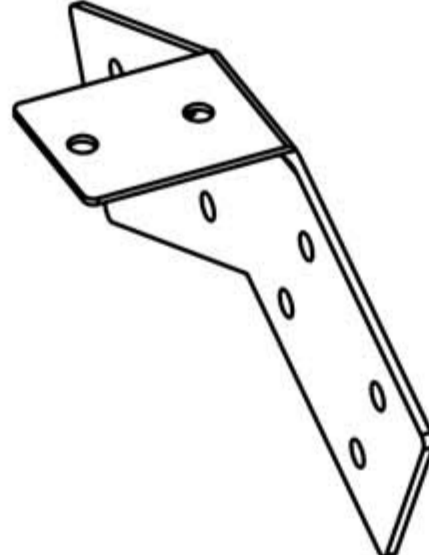

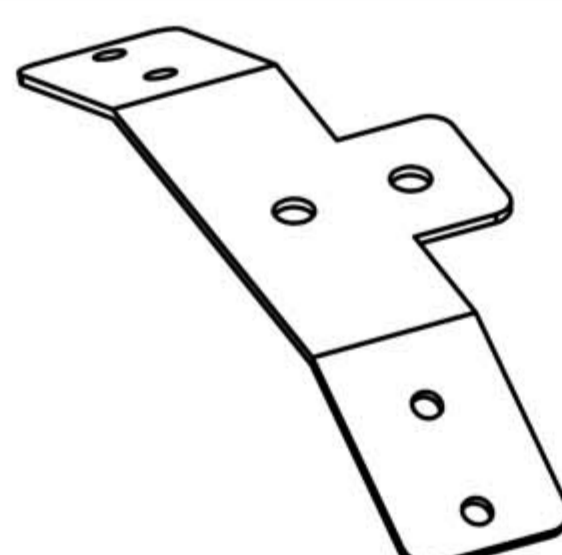
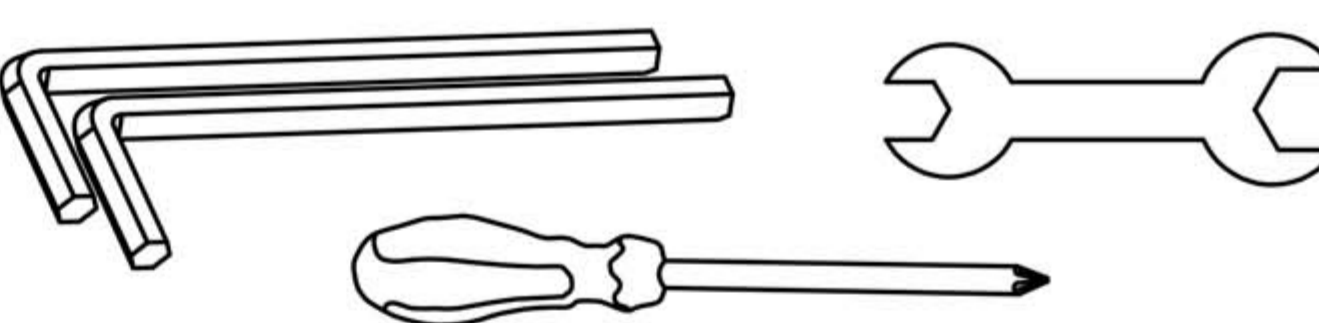
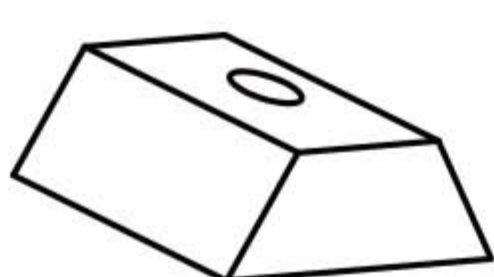
➔ ✉ E-mail: [cs.helper01@gmail.com](mailto:cs.helper01@gmail.com)

# ACCESSORY CATALOGUE

Item no.	Reference Image	Qty.
D2		2
G		8
G1		4
H1		4
H2		12
K		2
K1		1
T		4

Please take care of the screws and contact the after-sales service if there is any problem with the installation or parts.

# ACCESSORY CATALOGUE

Item no.	Reference Image	Qty.	Item no.	Reference Image	Qty.
<b>X5</b>	 M4x25mm	<b>24</b>	<b>M6</b>		<b>2</b>
<b>X6</b>	 M6x15mm	<b>134</b>	<b>M7</b>		<b>3</b>
<b>X7</b>	 M6x42mm	<b>28</b>	<b>M9</b>		<b>4</b>
<b>X8</b>	 M4x15mm	<b>166</b>	<b>P</b>		<b>2</b>
<b>H5</b>		<b>3</b>	<b>R</b>		<b>8</b>
<b>J1</b>		<b>4</b>	<b>R1</b>		<b>4</b>
<b>L</b>		<b>12</b>	<b>R2</b>		<b>4</b>
<b>M3</b>		<b>2</b>	<b>2</b>		<b>8</b>
<b>M4</b>		<b>2</b>	<b>3</b>		<b>1</b>
<b>M5</b>		<b>28</b>			

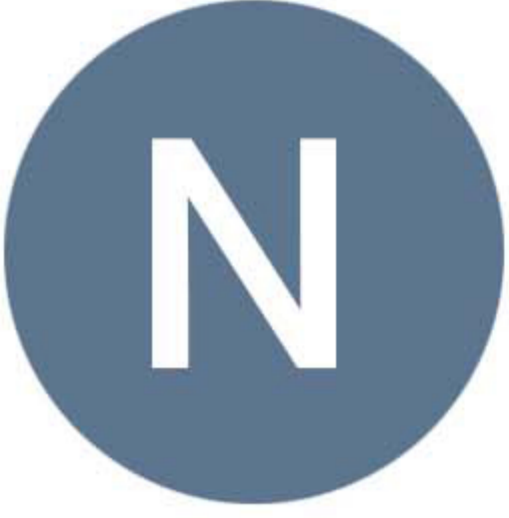
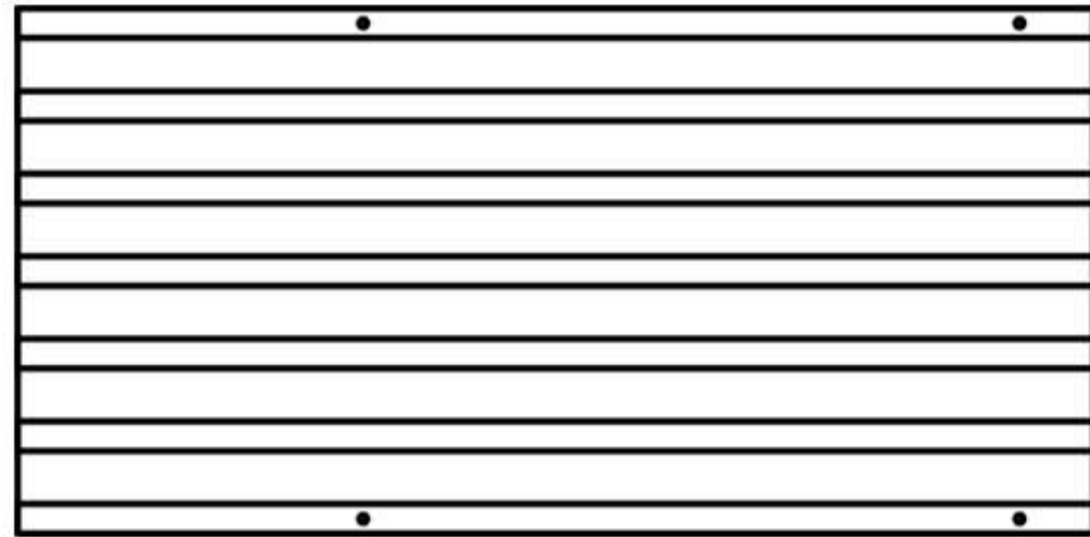

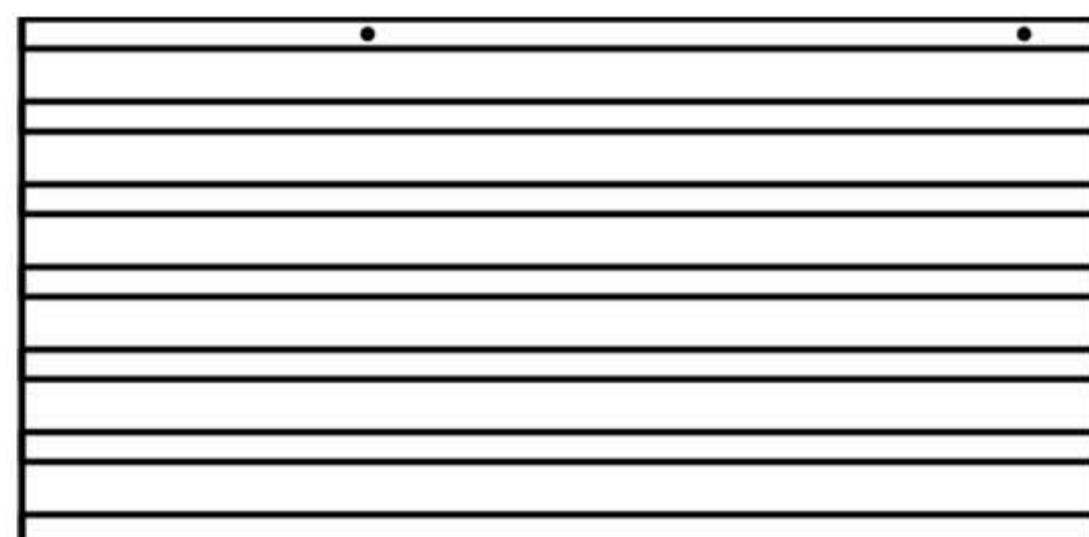

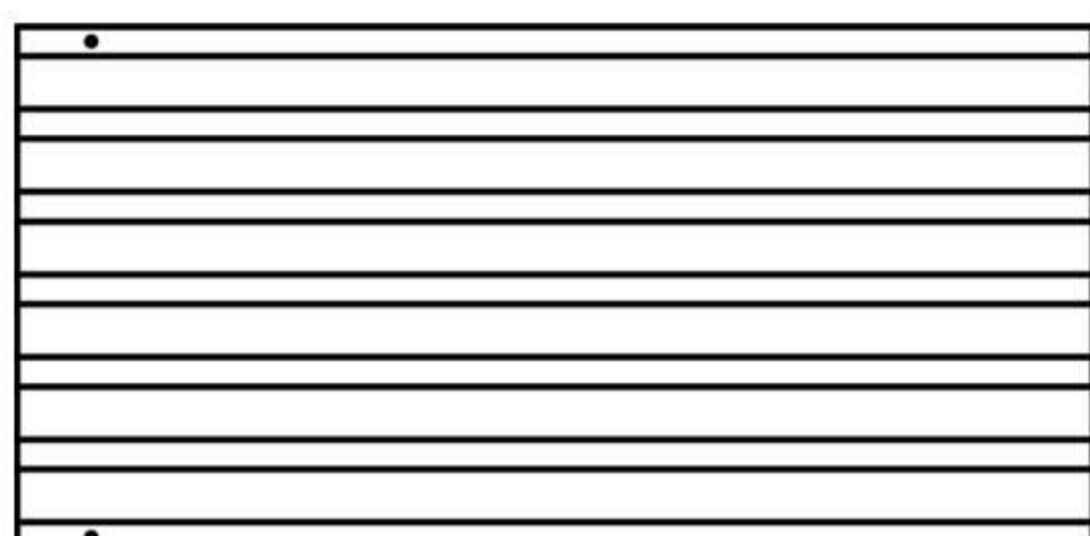

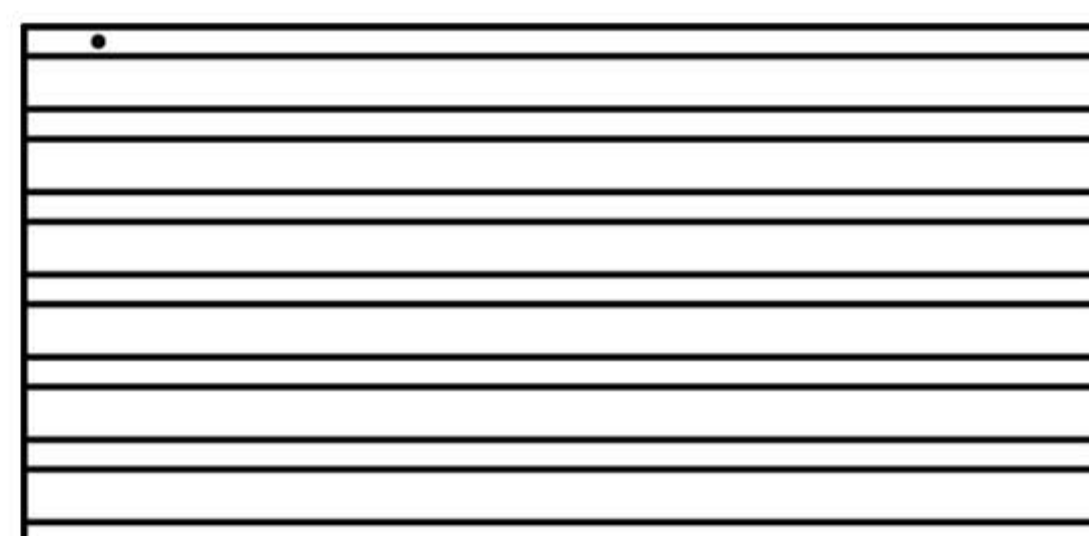

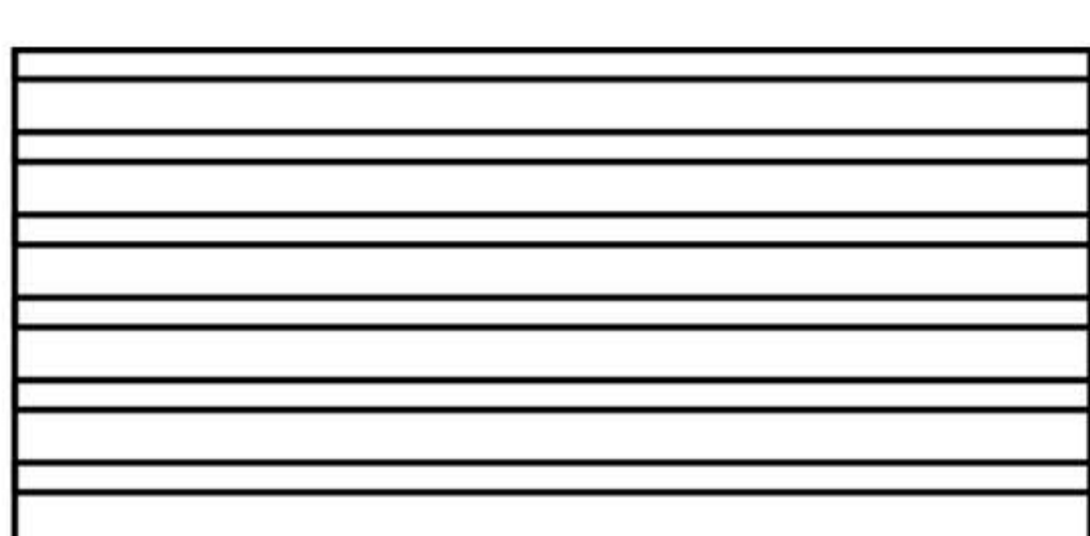

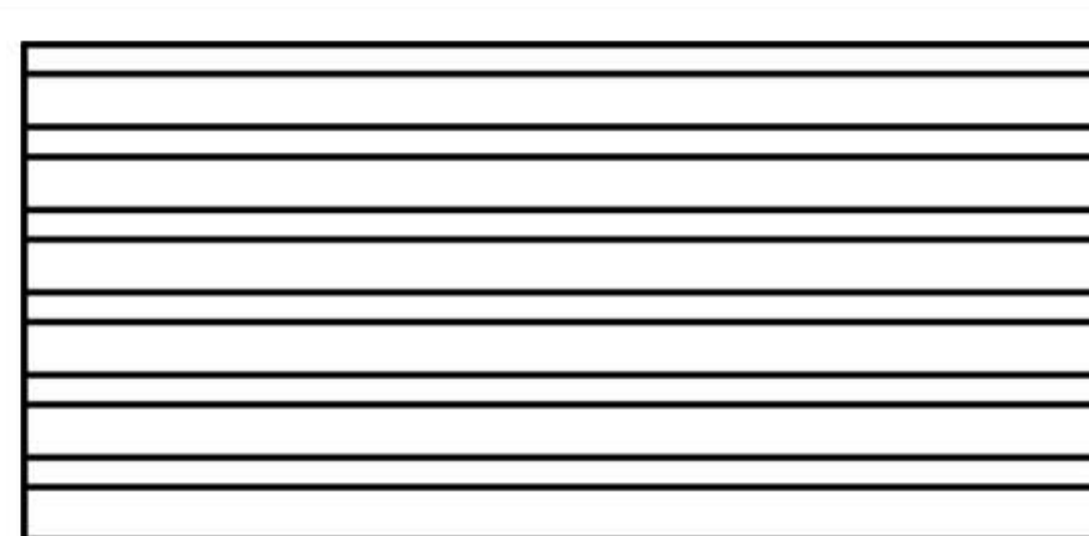
Please take care of the screws and contact the after-sales service if there is any problem with the installation or parts.

➔ ✉ E-mail: [cs.helper01@gmail.com](mailto:cs.helper01@gmail.com)

# ACCESSORY CATALOGUE

## BOX 4

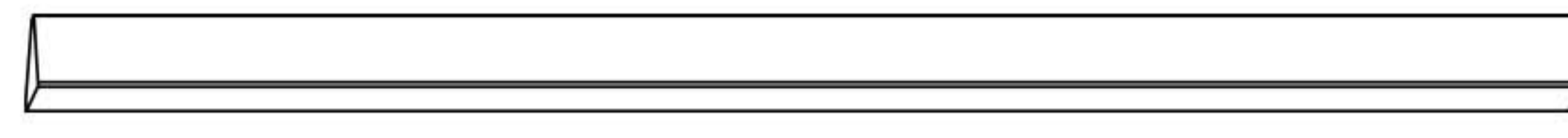
SKU: C001G043V2-4

Item no.	Reference Image	Qty.	Item no.	Reference Image	Qty.
		12			2
		12			2
		2			2

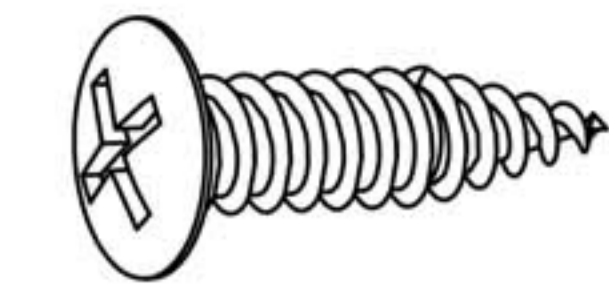
Please take care of the screws and contact the after-sales service if there is any problem with the installation or parts.

# STEP 1

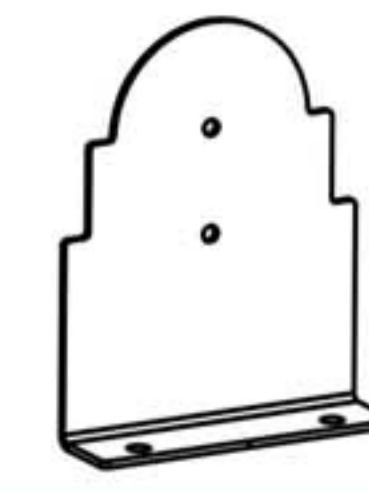
Parts required



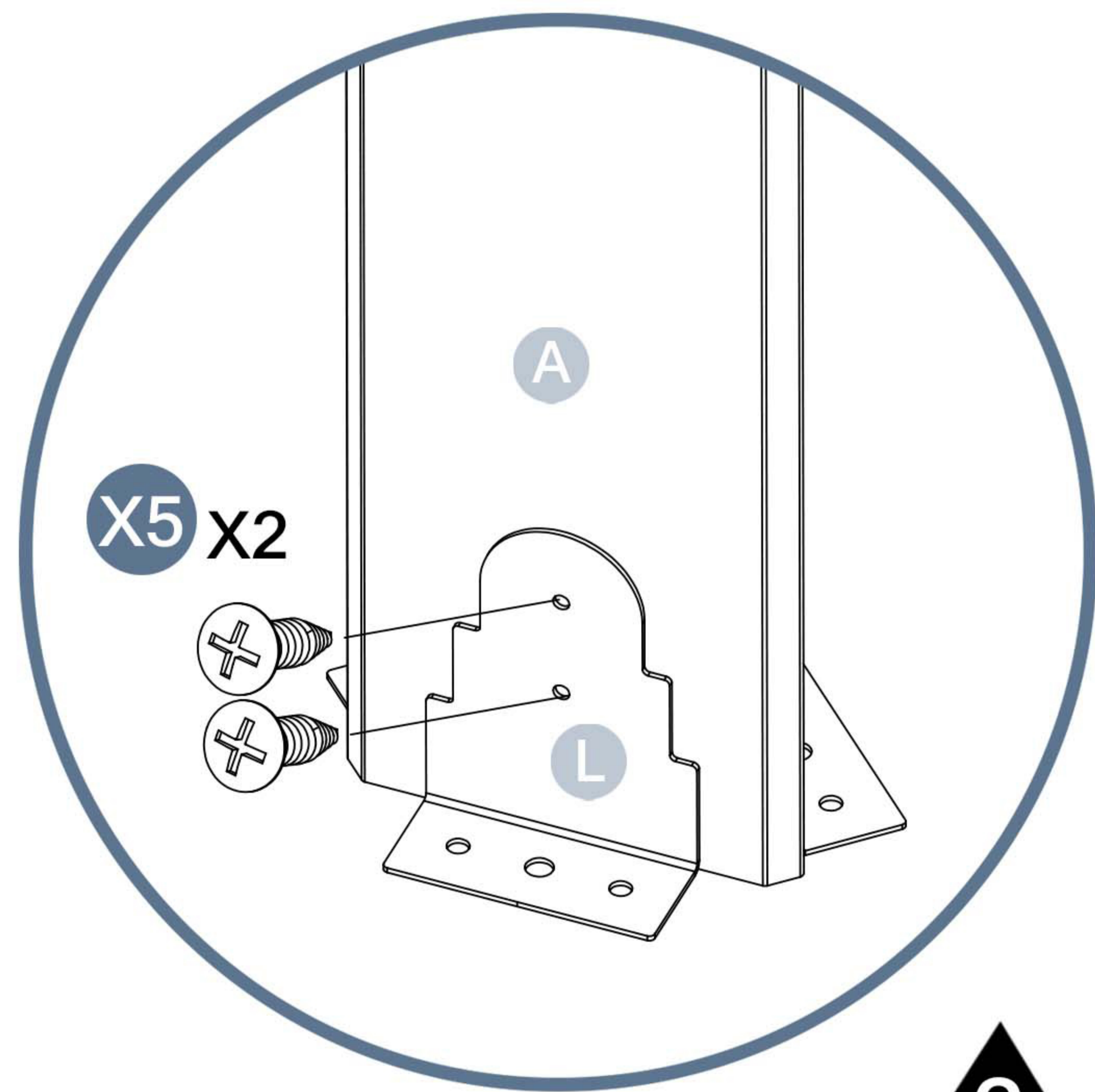
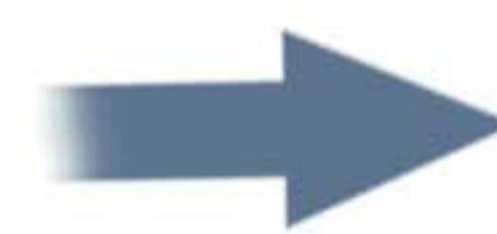
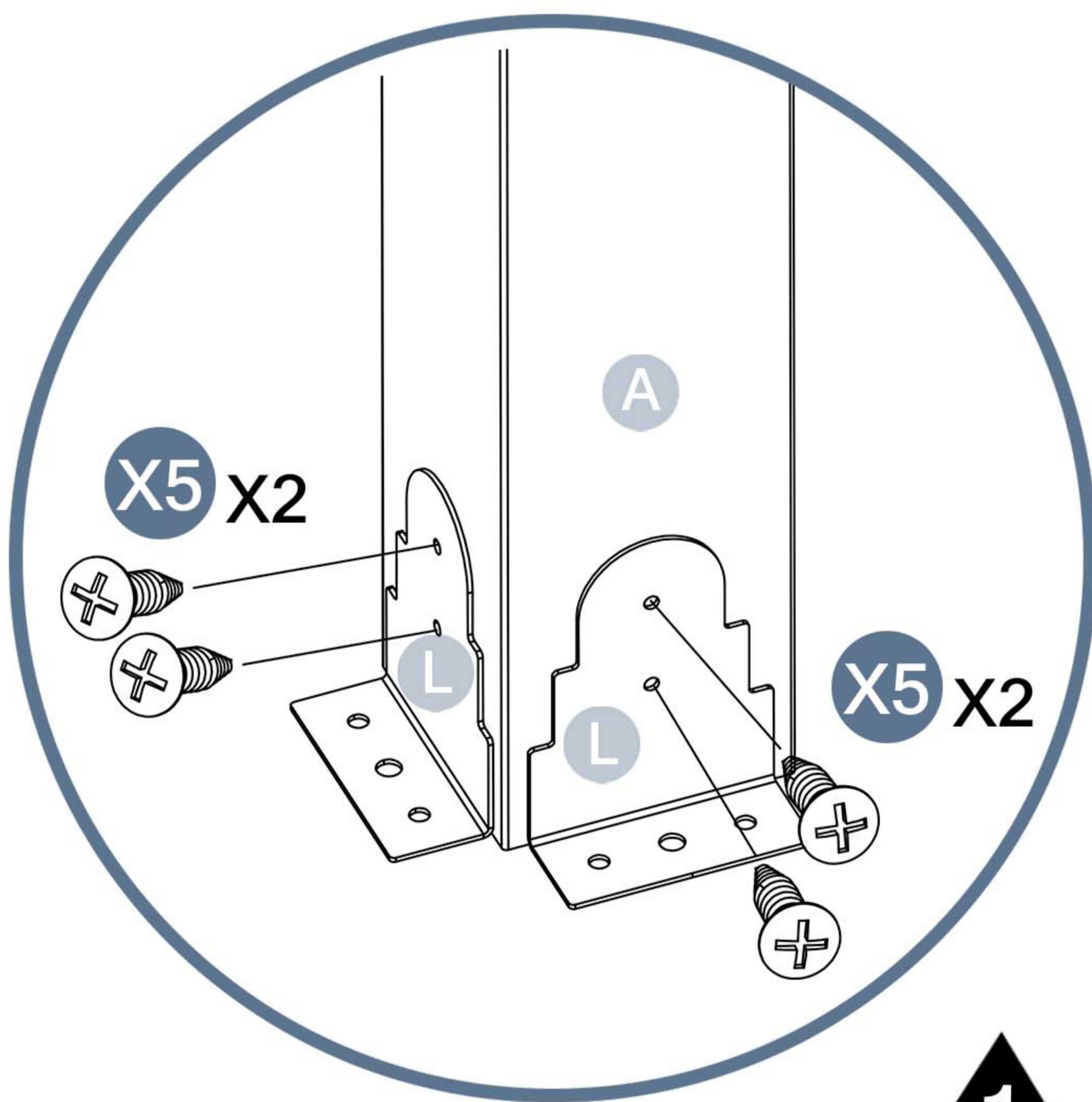
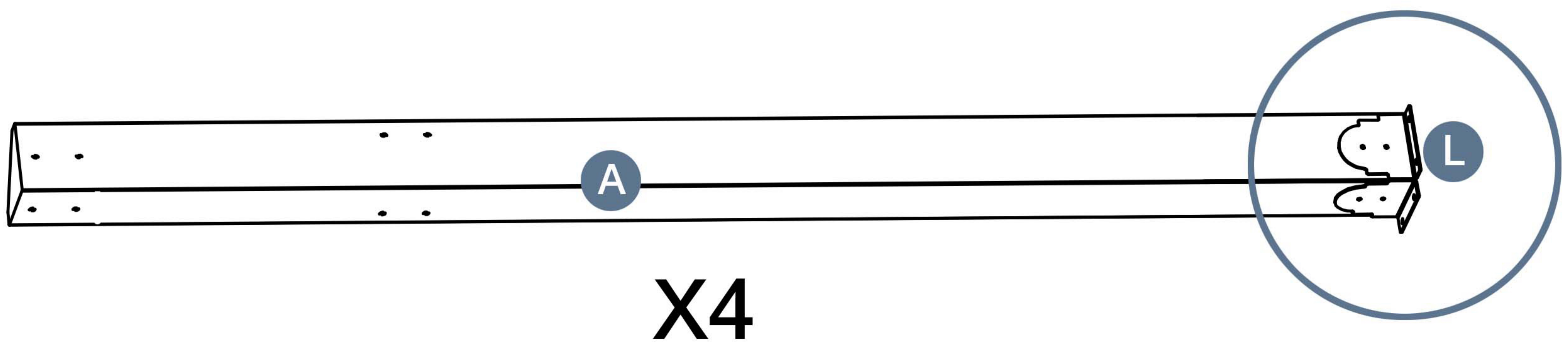
A 4pcs



X5 24pcs



L 12pcs

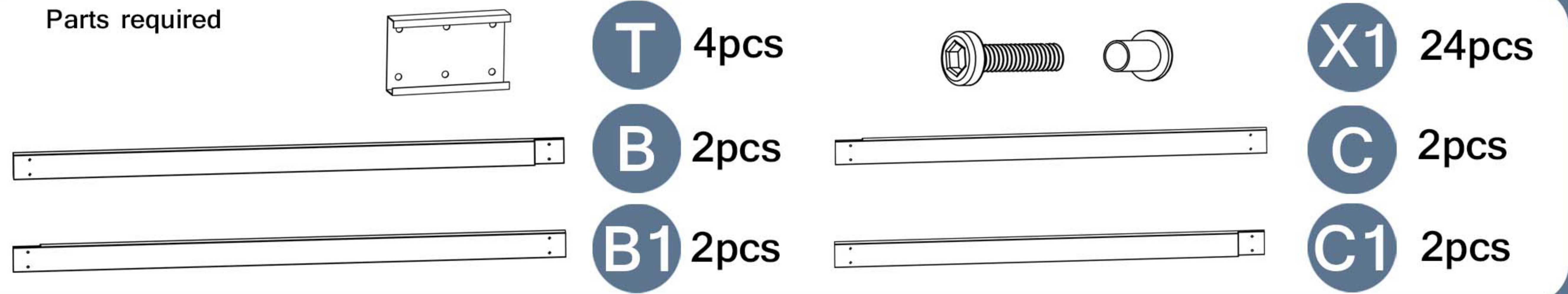


Please take care of the screws and contact the after-sales service if there is any problem with the installation or parts.

➔ E-mail: [cs.helper01@gmail.com](mailto:cs.helper01@gmail.com)

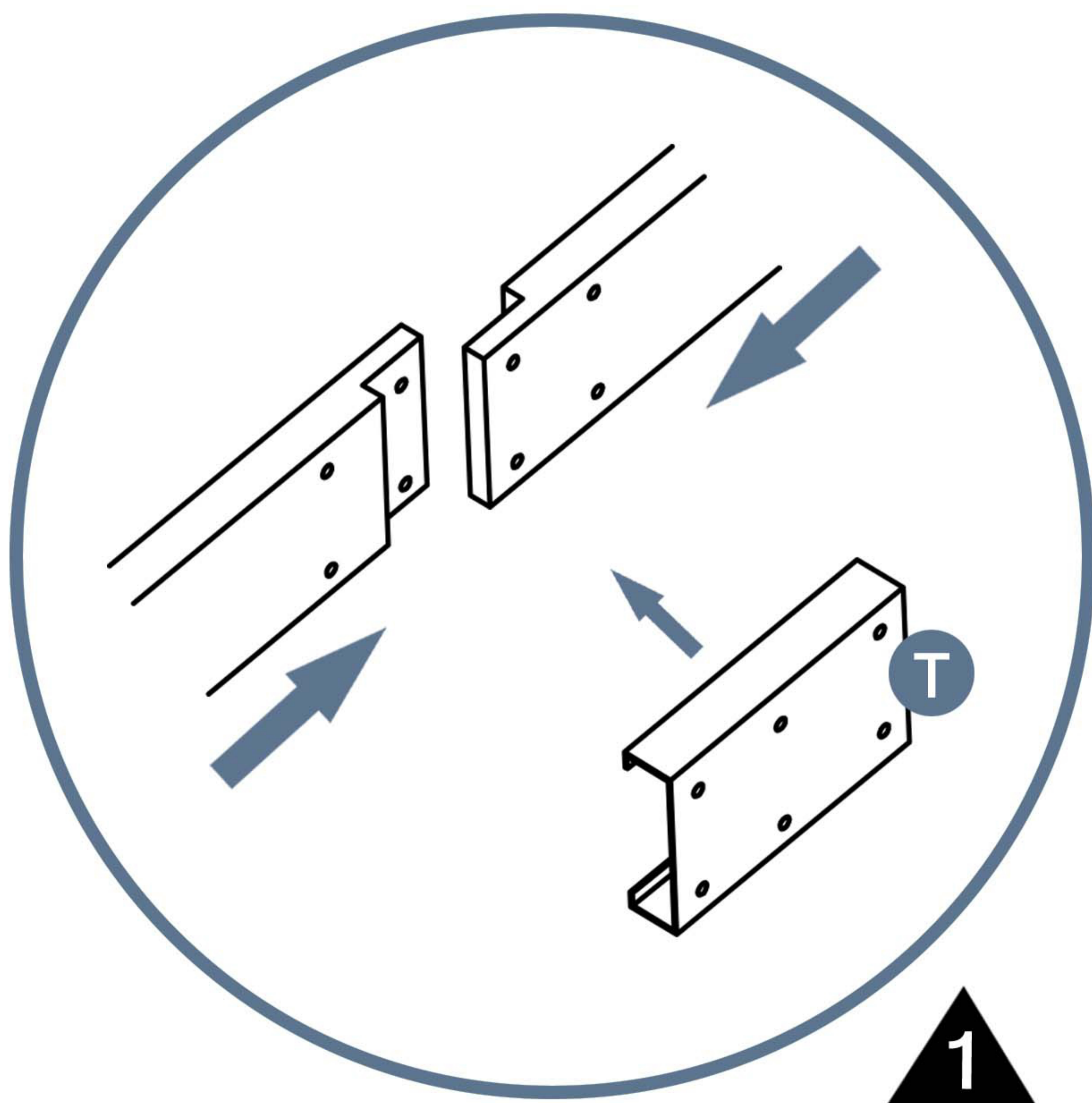
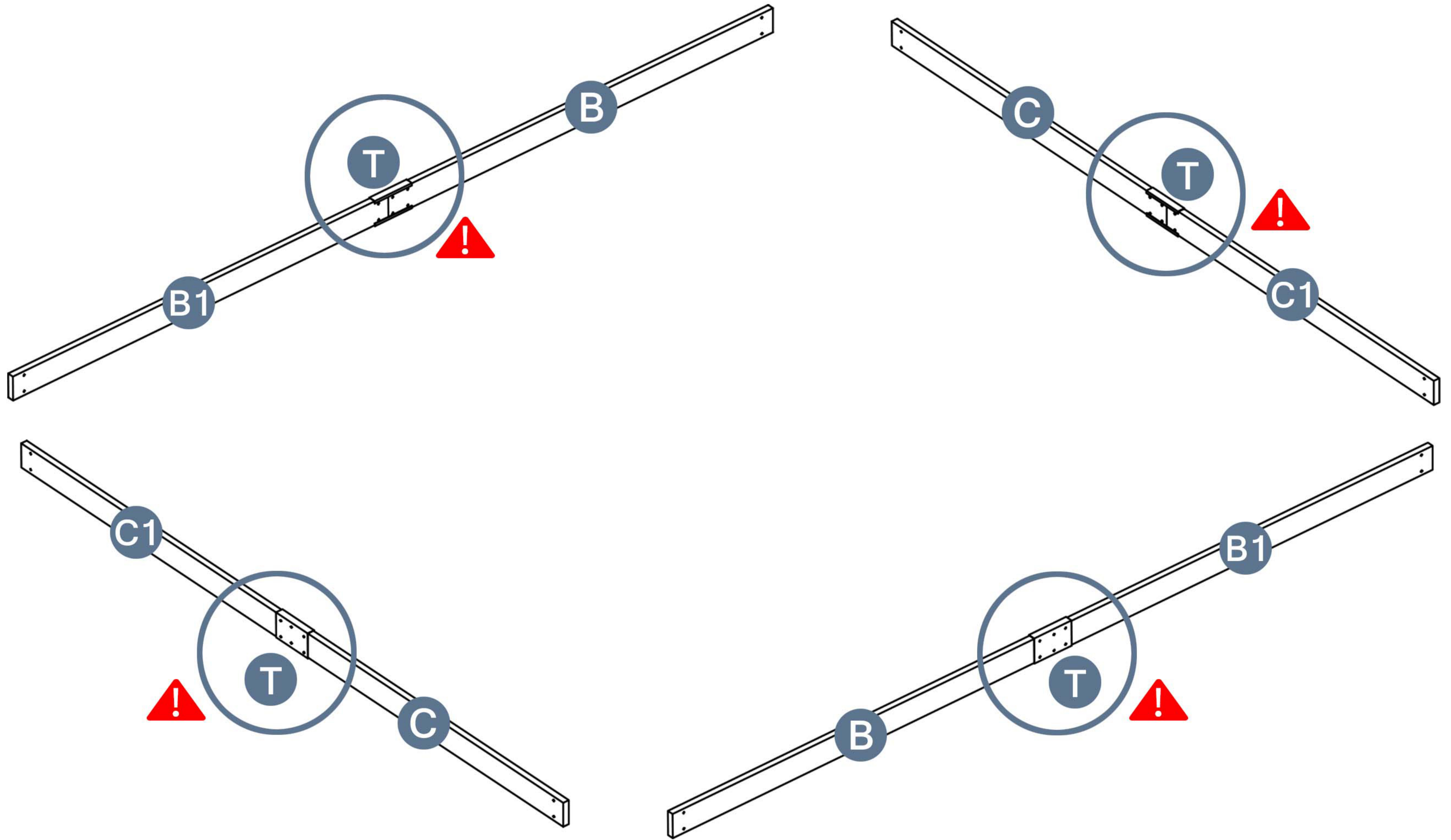
# STEP 2

Parts required

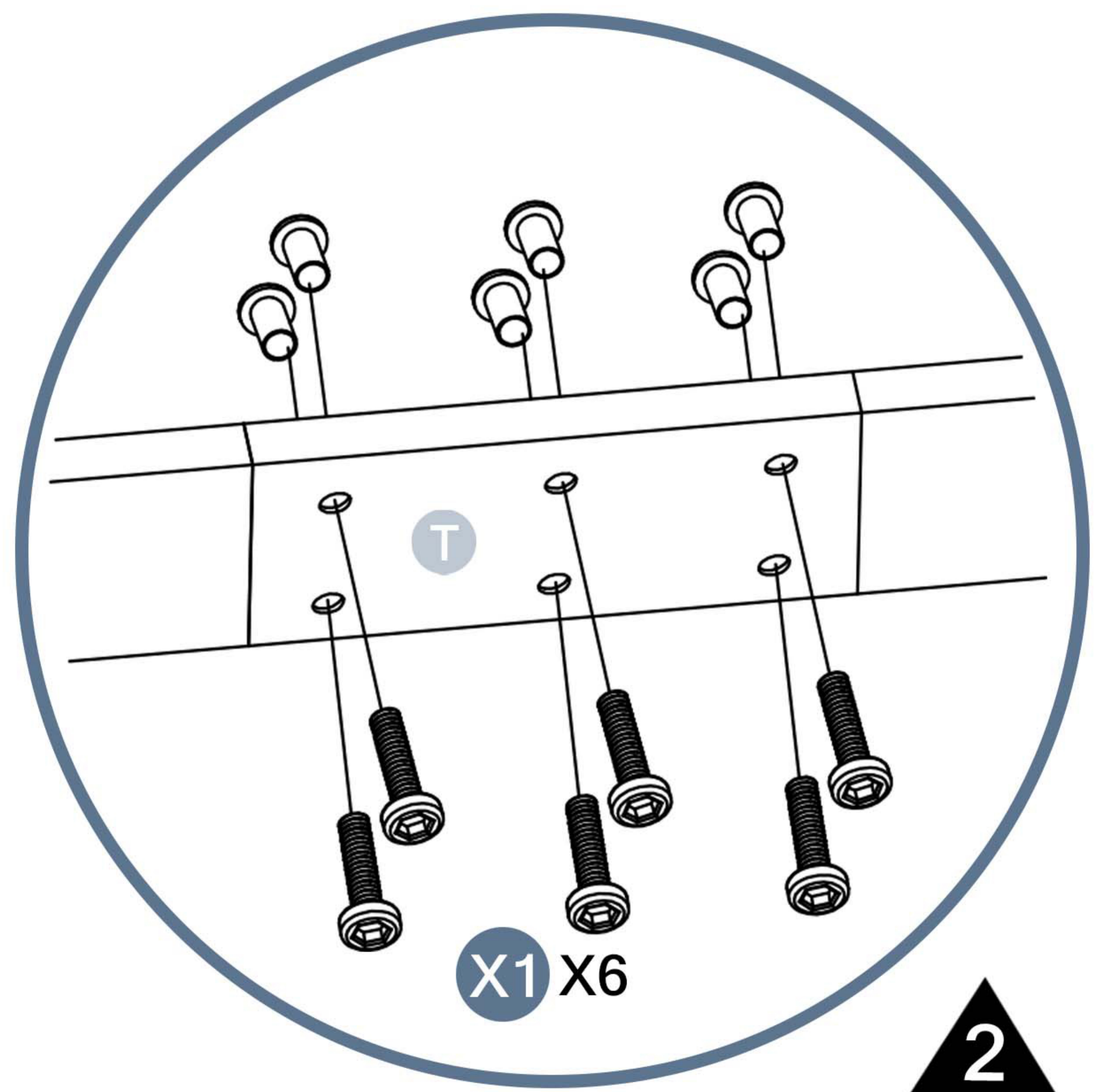
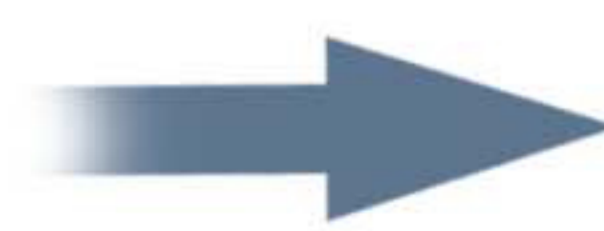


1 → 2

! Pay attention to the installation direction of T.

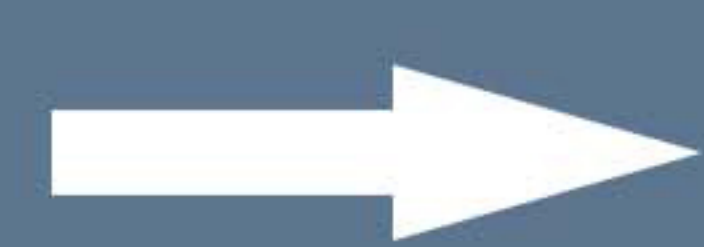


1



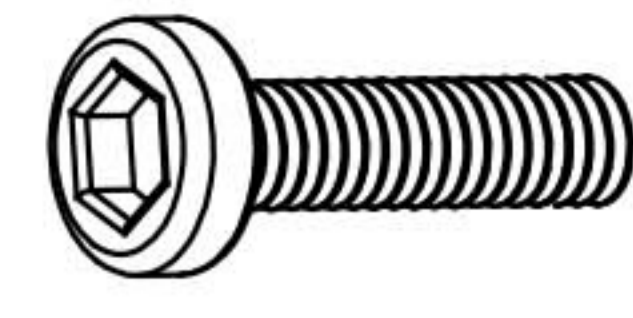
2

Please take care of the screws and contact the after-sales service if there is any problem with the installation or parts.

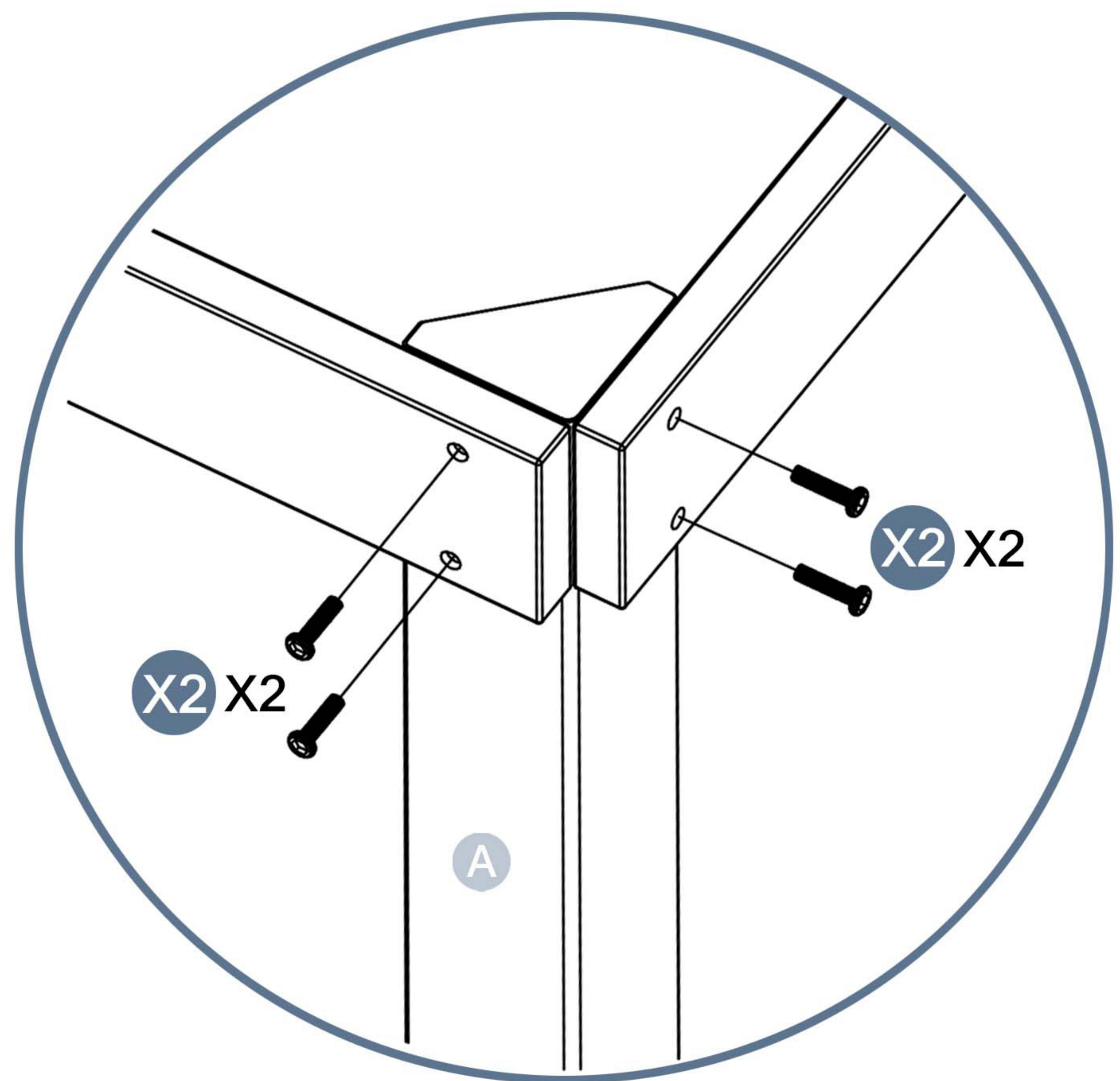
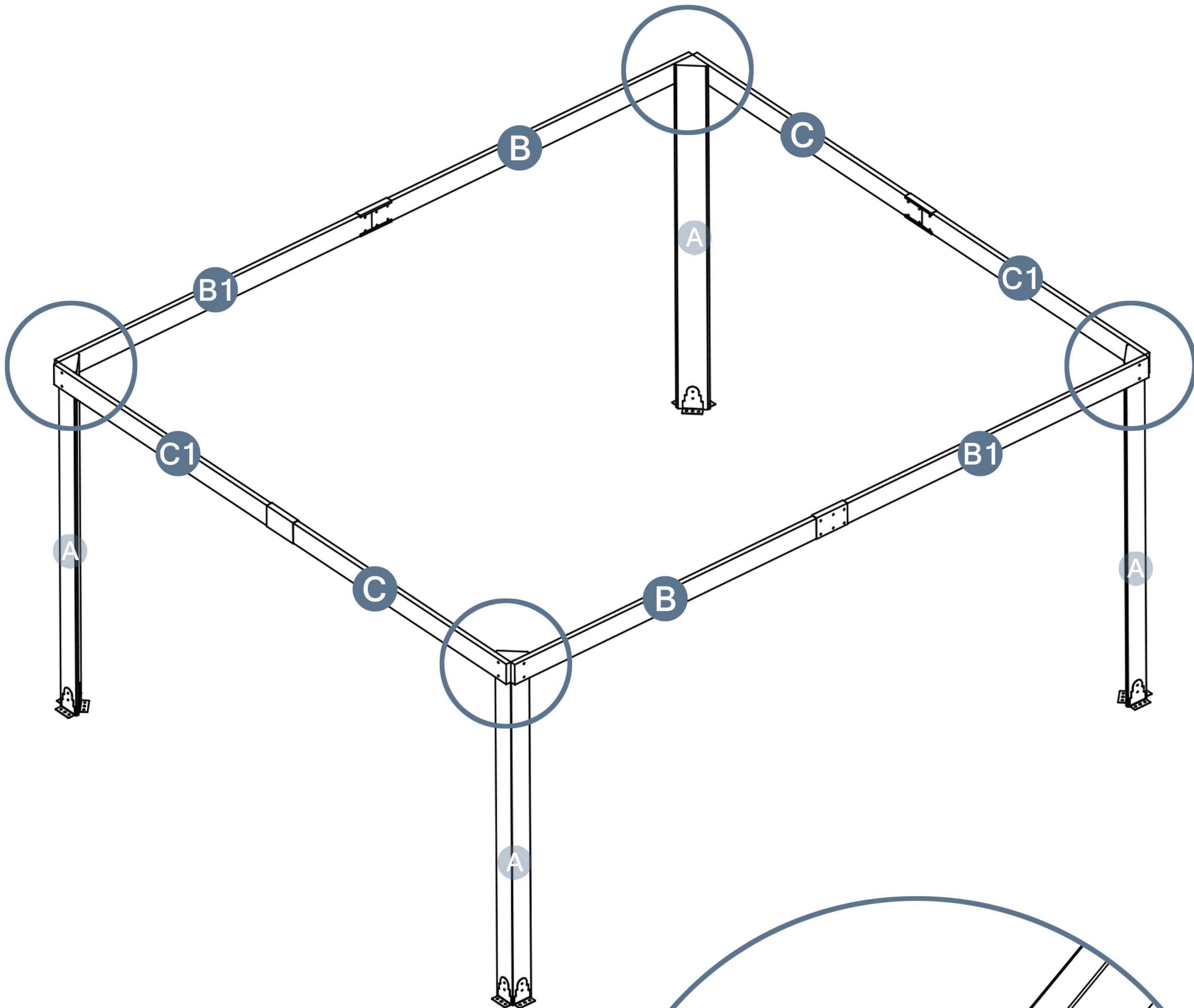


# STEP 3

Parts required



X2 16pcs

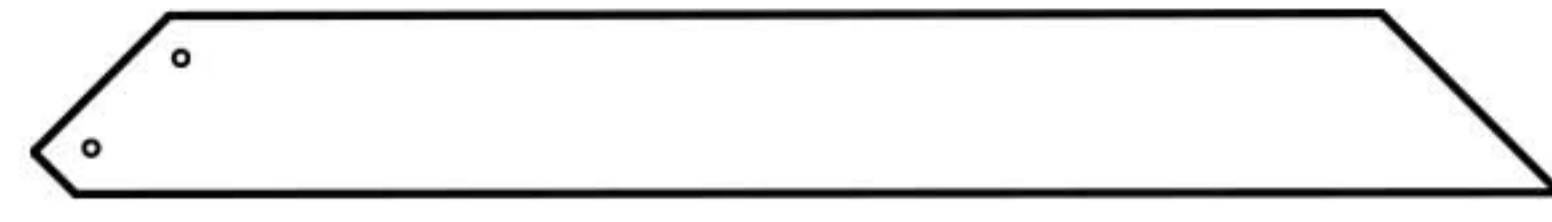


Please take care of the screws and contact the after-sales service if there is any problem with the installation or parts.

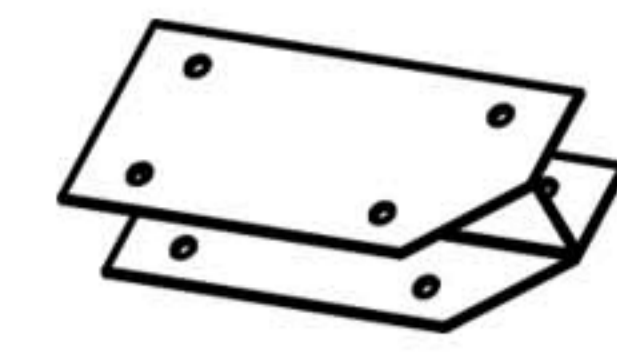
➔ ✉ E-mail: [cs.helper01@gmail.com](mailto:cs.helper01@gmail.com)

# STEP 4

Parts required



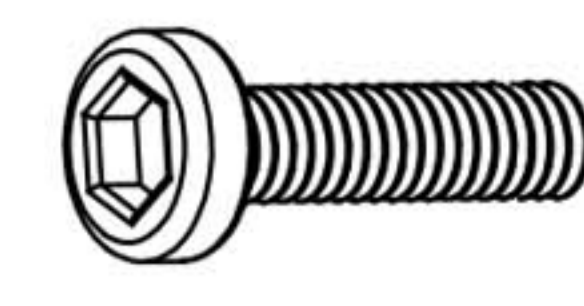
**F** 8pcs



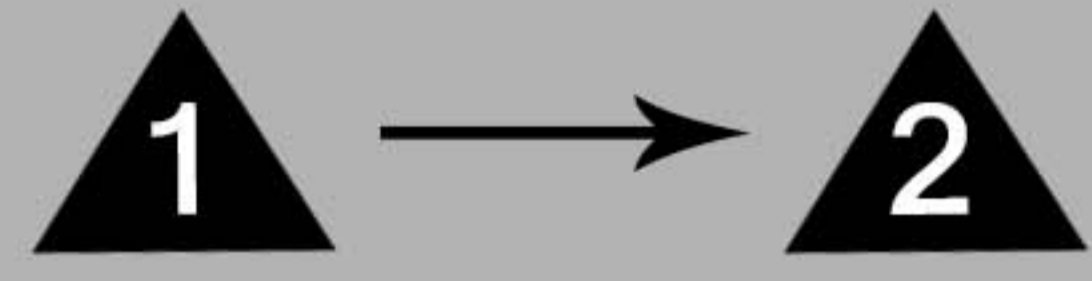
**R** 8pcs



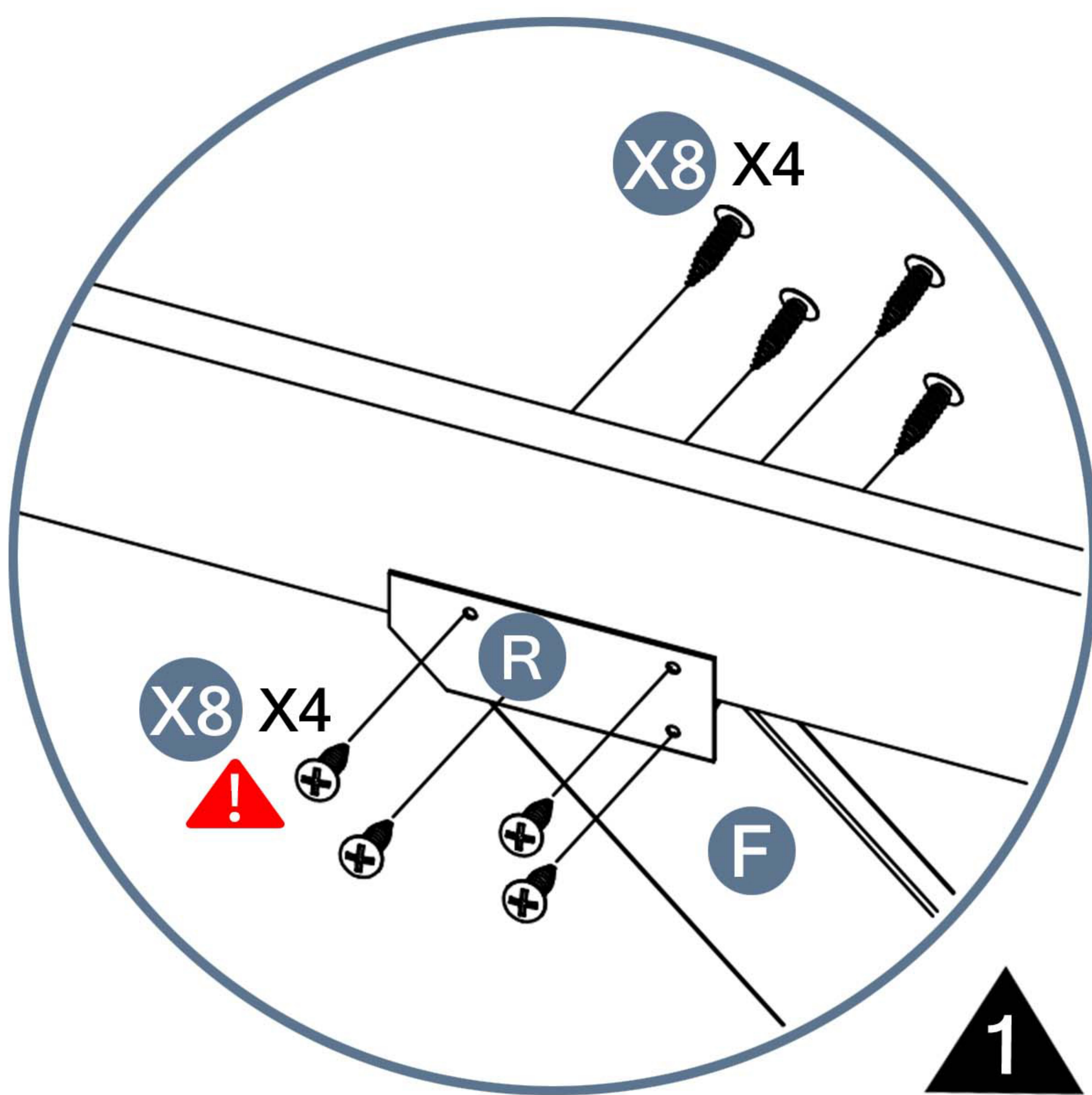
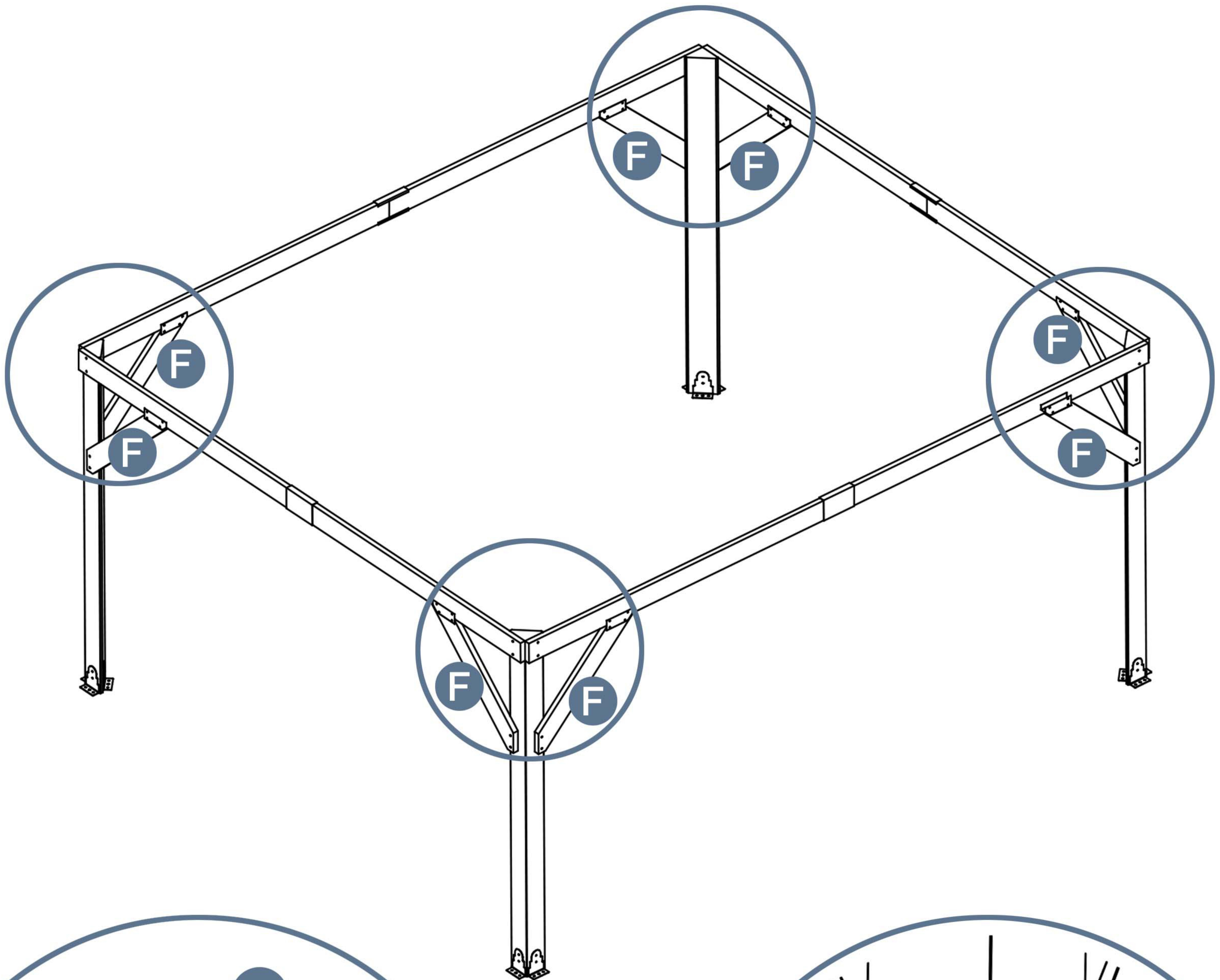
**X8** 64pcs



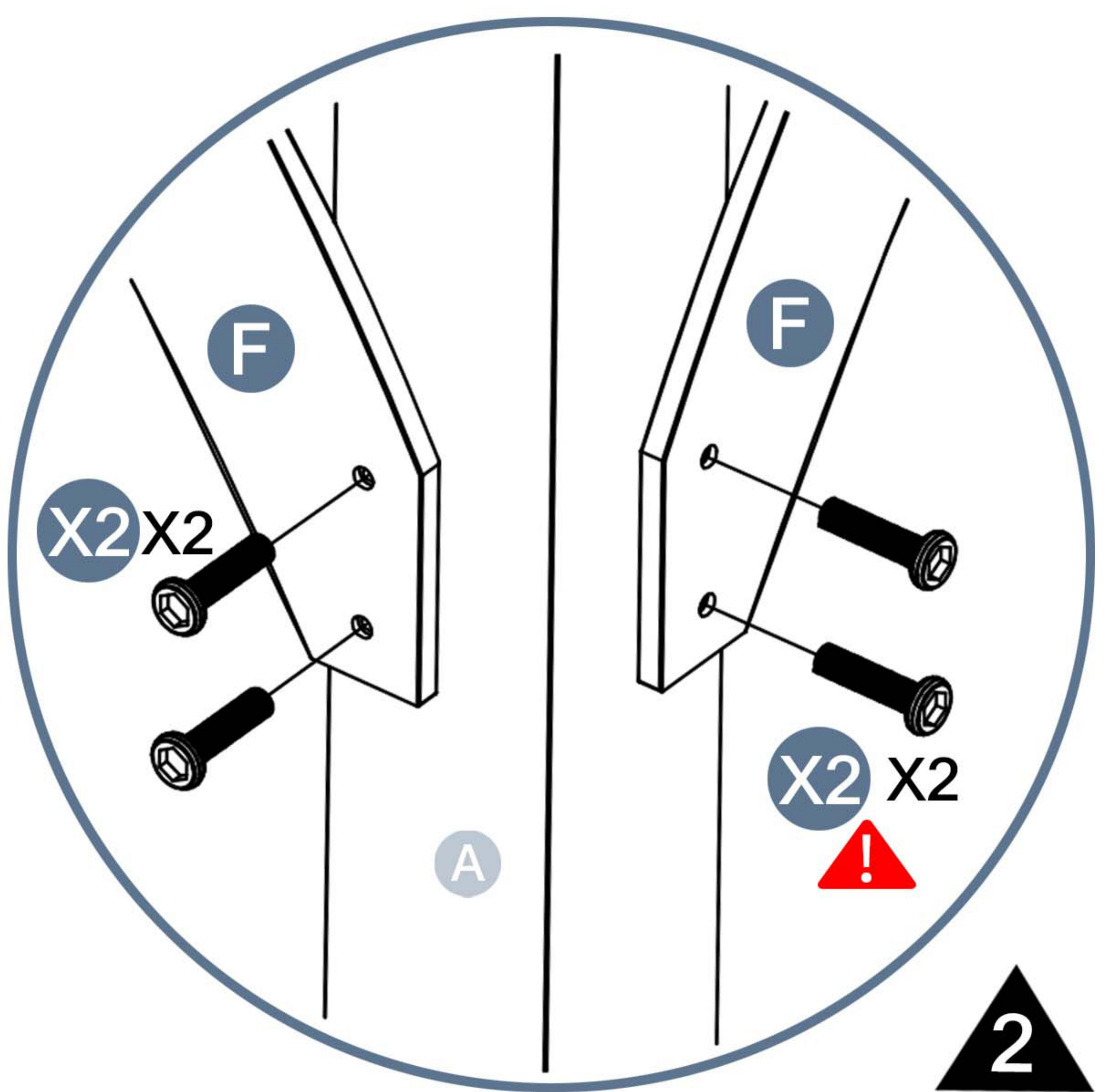
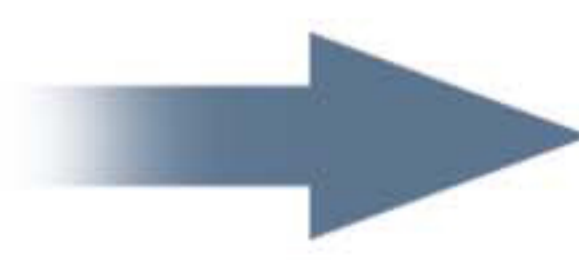
**X2** 16pcs



Please note that different screws are being used.

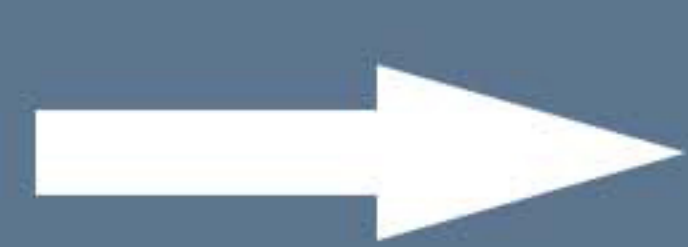


**1**



**2**

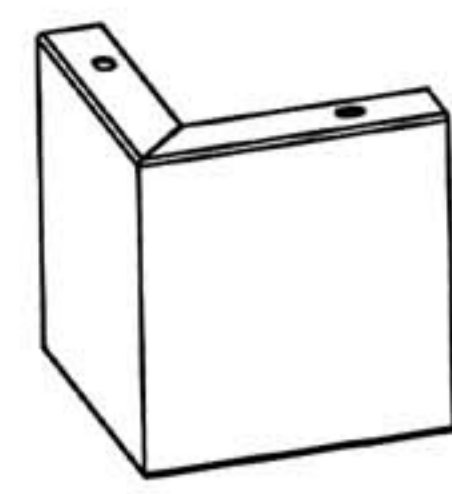
Please take care of the screws and contact the after-sales service if there is any problem with the installation or parts.



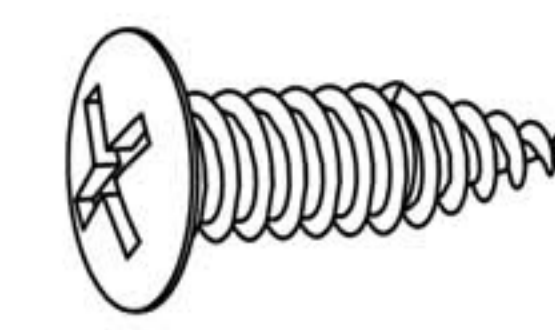
E-mail: [cs.helper01@gmail.com](mailto:cs.helper01@gmail.com)

# STEP 5

Parts required



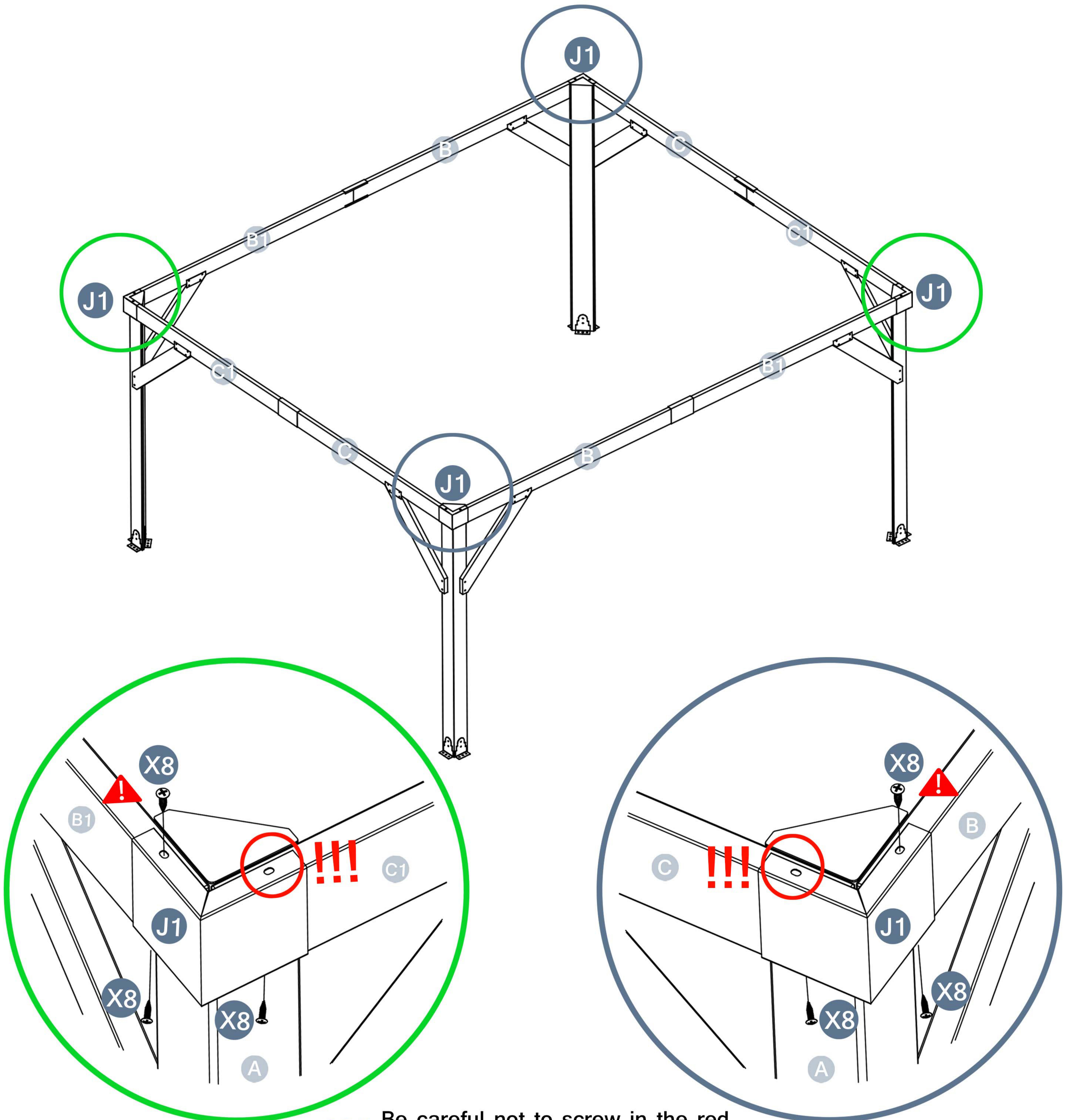
J1 4pcs



X8 12pcs

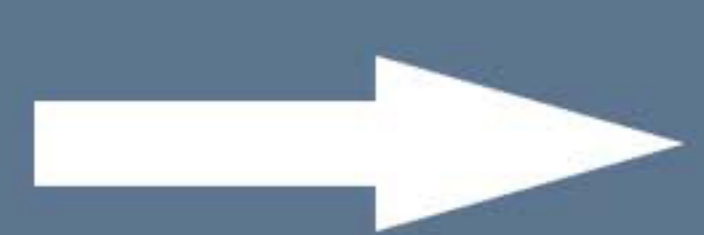


Please Note that the X8 circled in red is a self-tapping nail without hole, it can be directly tightened.



Be careful not to screw in the red circle for the time being.

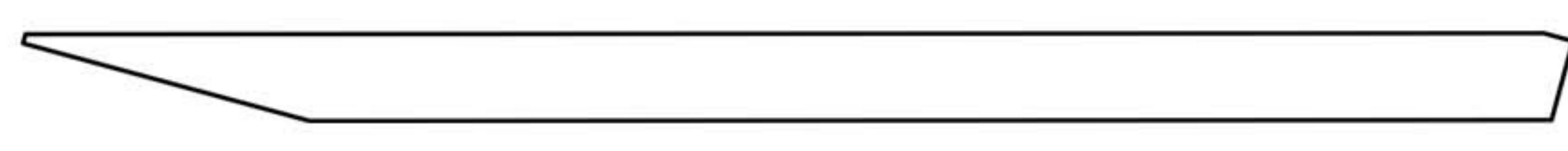
Please take care of the screws and contact the after-sales service if there is any problem with the installation or parts.



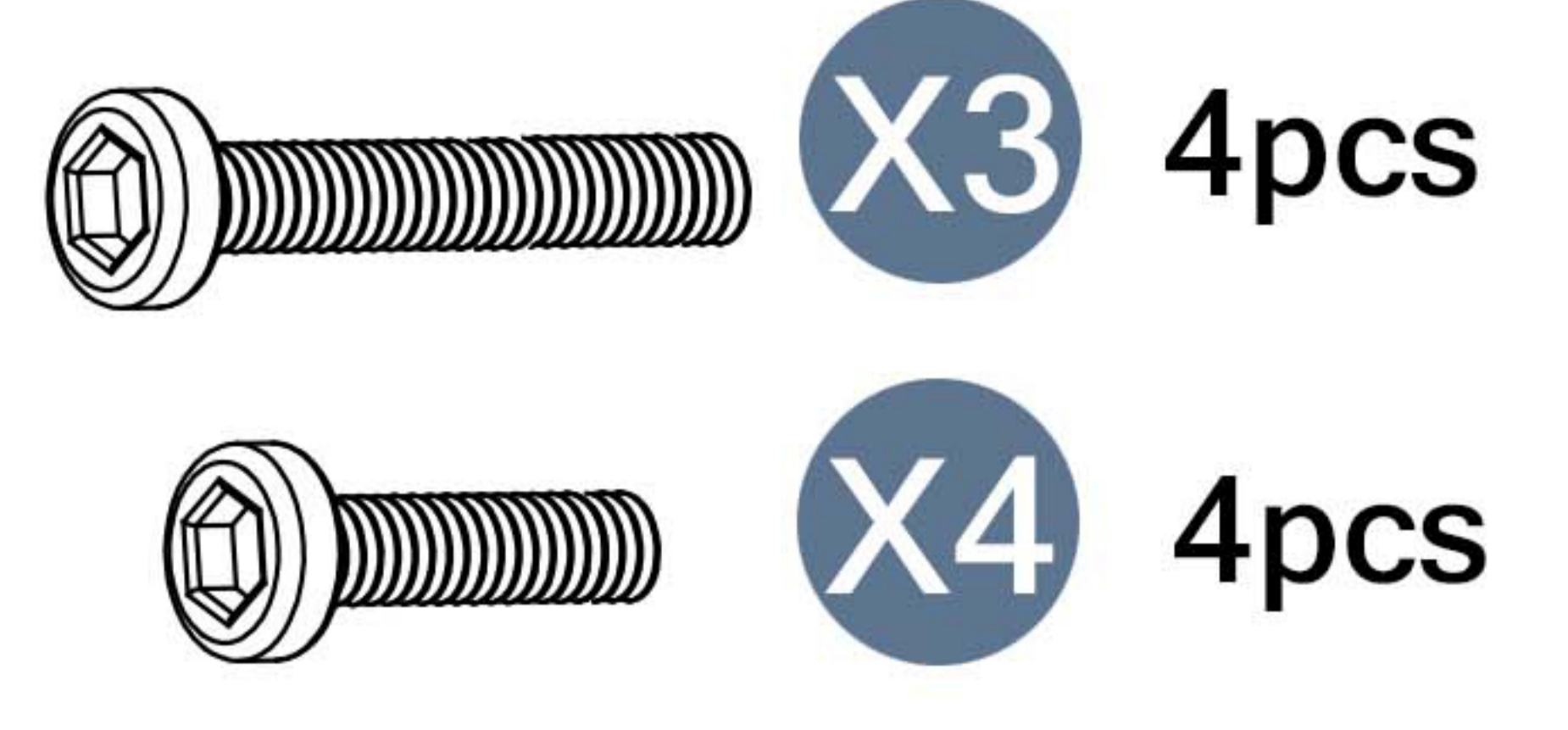
E-mail: [cs.helper01@gmail.com](mailto:cs.helper01@gmail.com)

# STEP 6

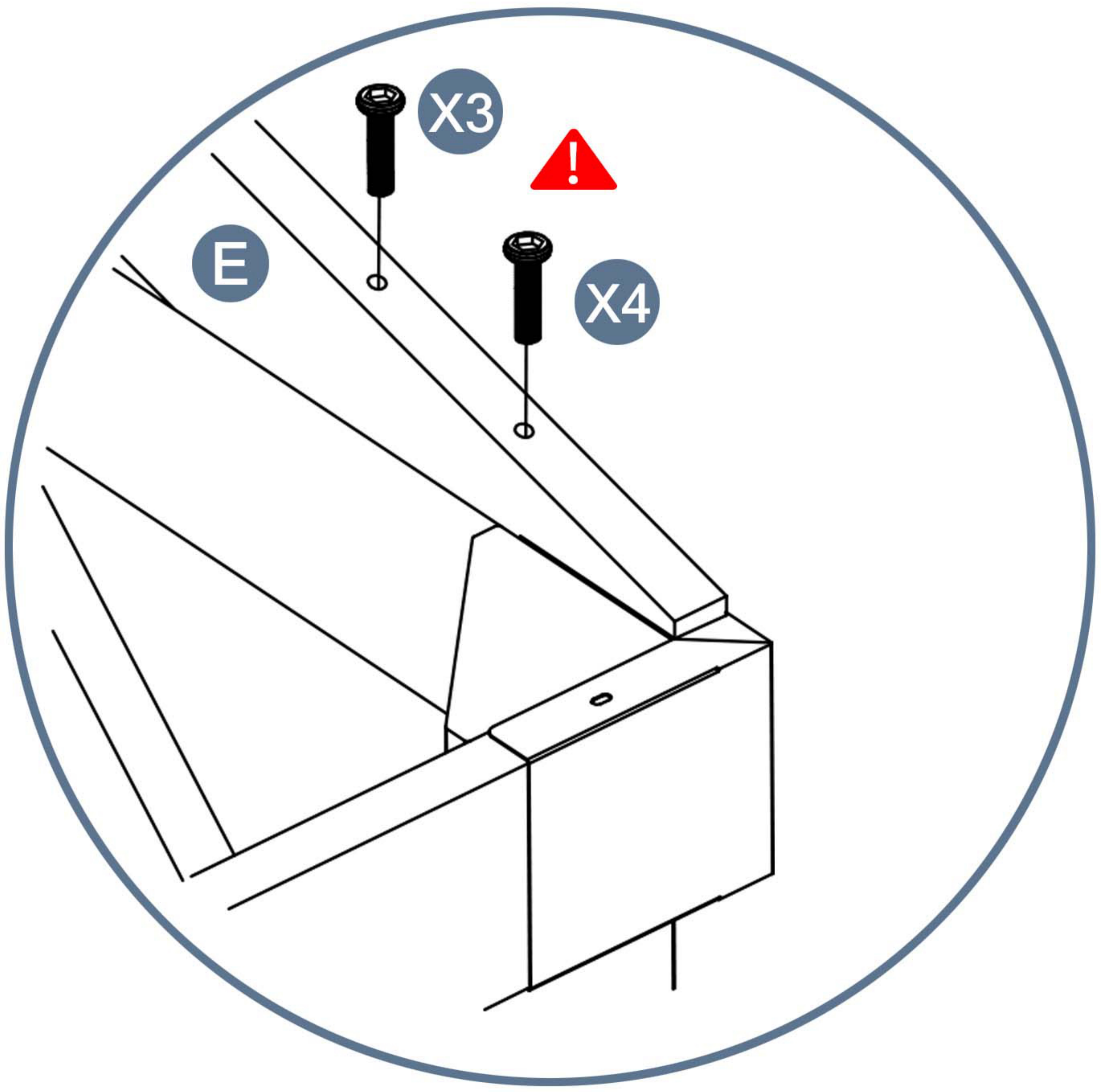
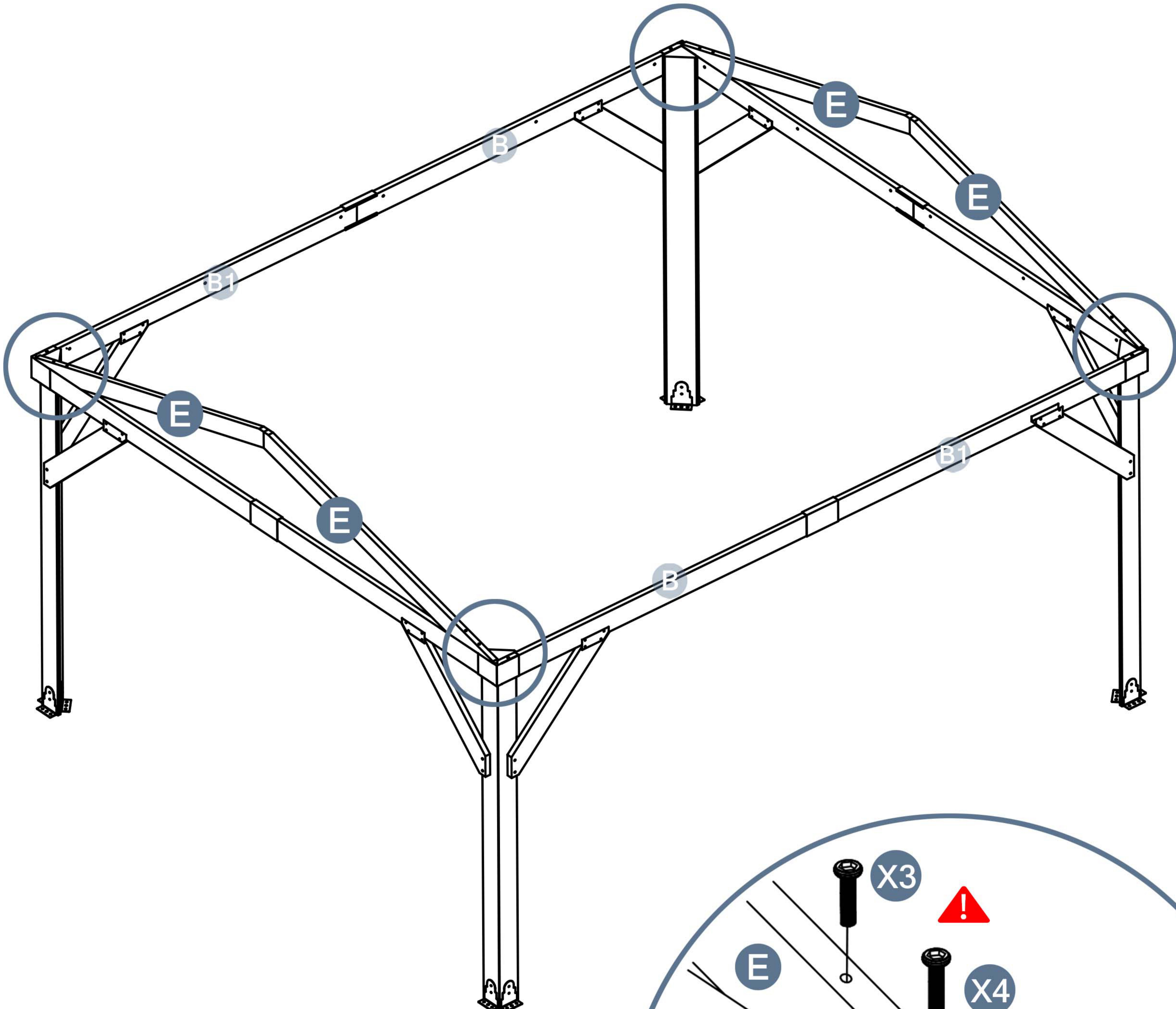
Parts required



**E** 4pcs



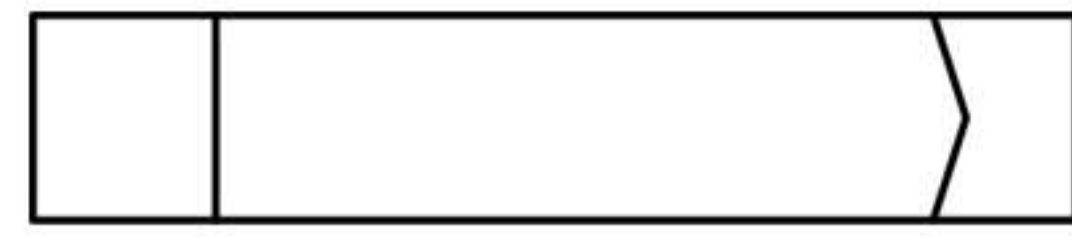
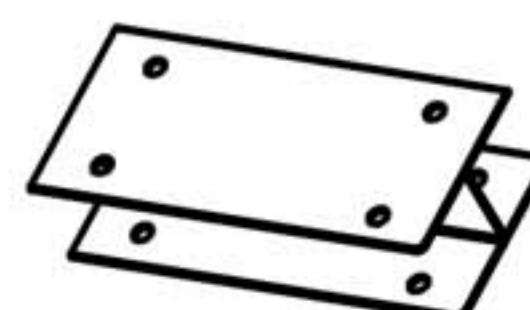
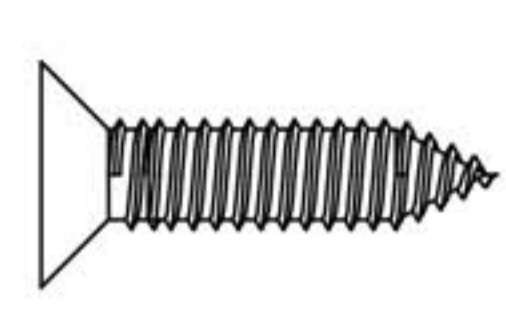

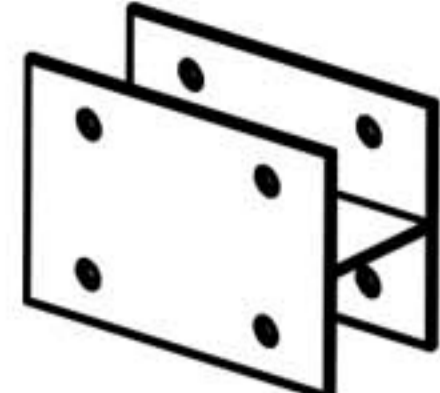
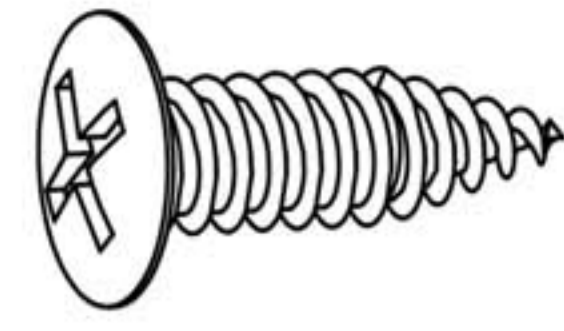
 Please note that different screws are being used.



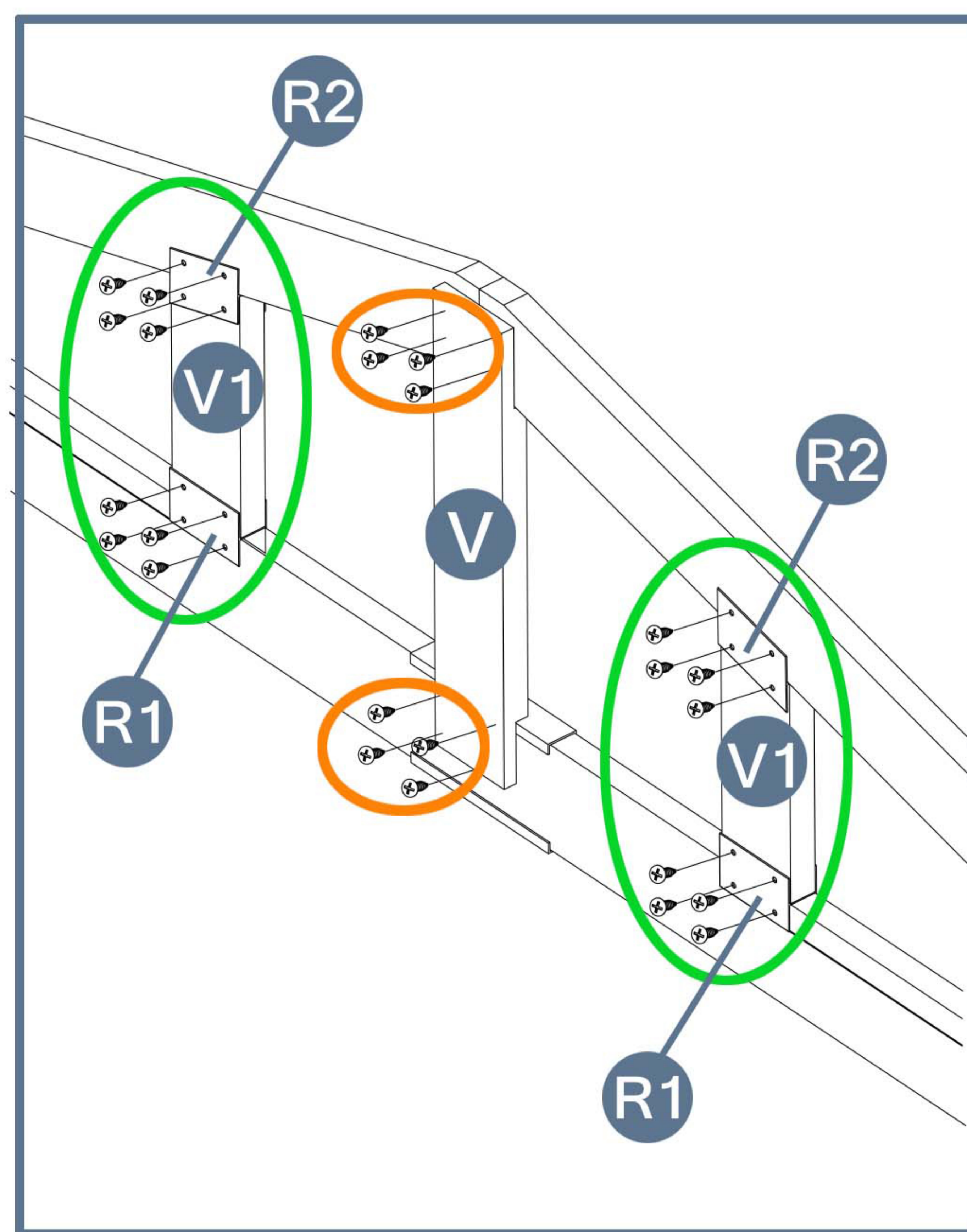
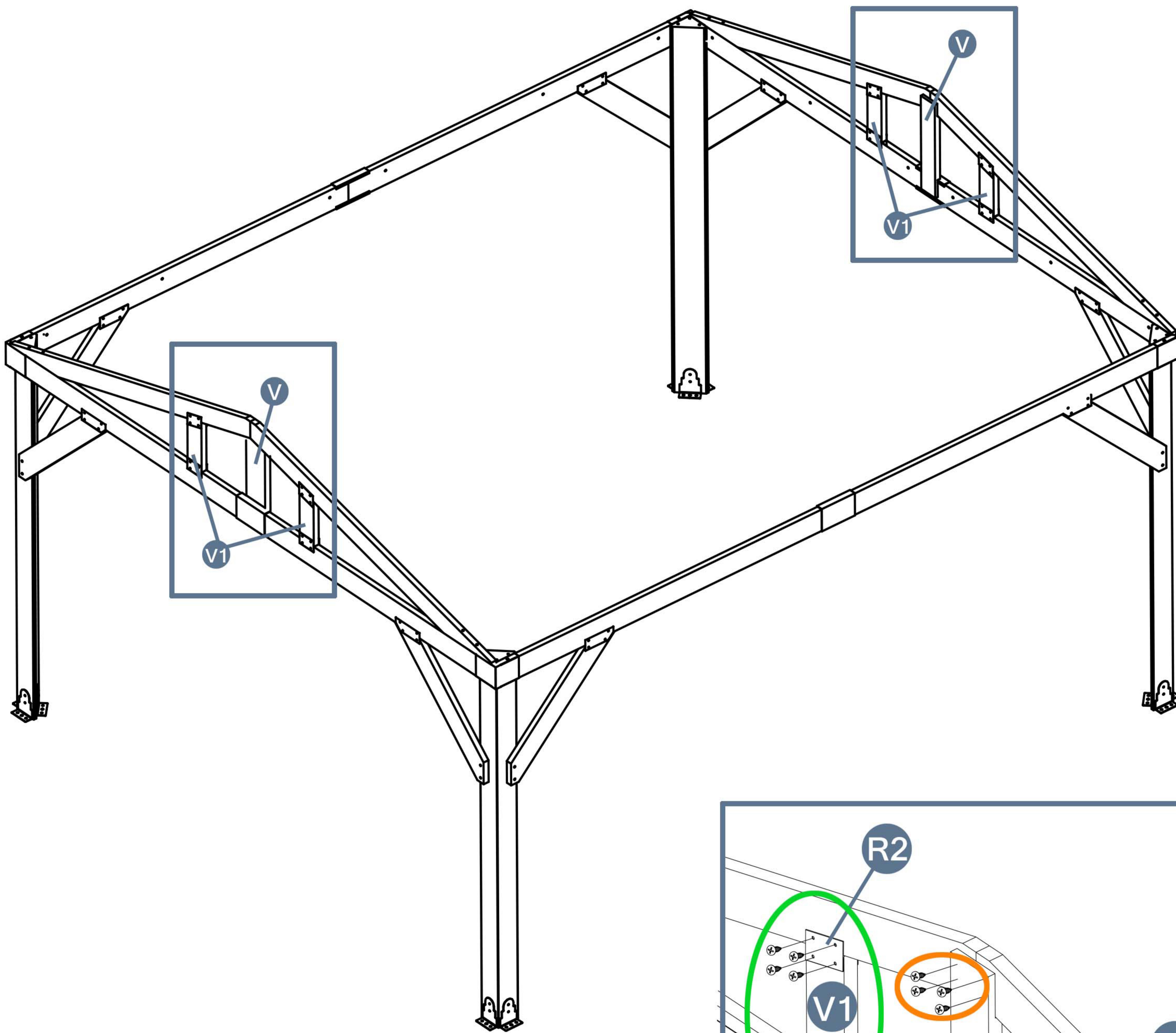
Please take care of the screws and contact the after-sales service if there is any problem with the installation or parts.

# STEP 7

Parts required

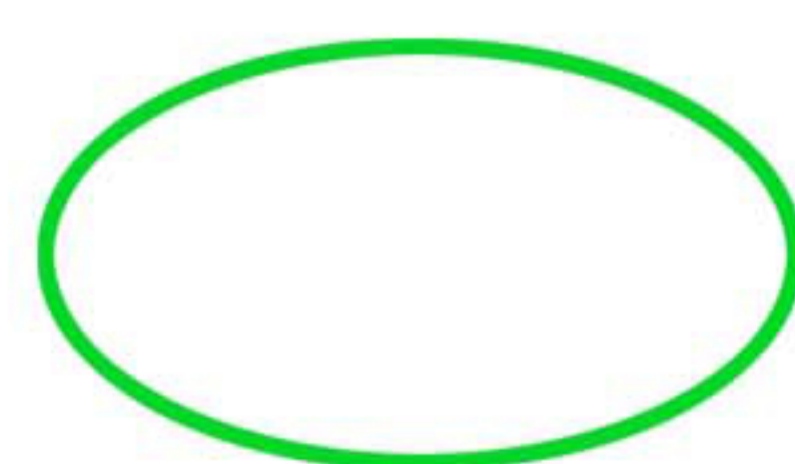
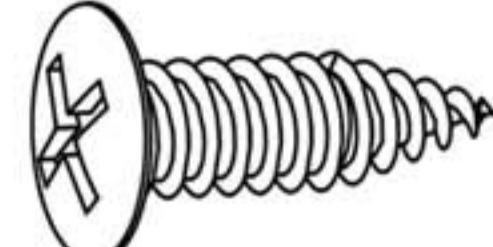


	<b>V</b> 2pcs		<b>R1</b> 4pcs		<b>X</b> 16pcs
	<b>V1</b> 4pcs		<b>R2</b> 4pcs		<b>X8</b> 64pcs

 Please note that different screws are being used.



**X2**



		<b>X8</b> X16
		<b>X</b> X4

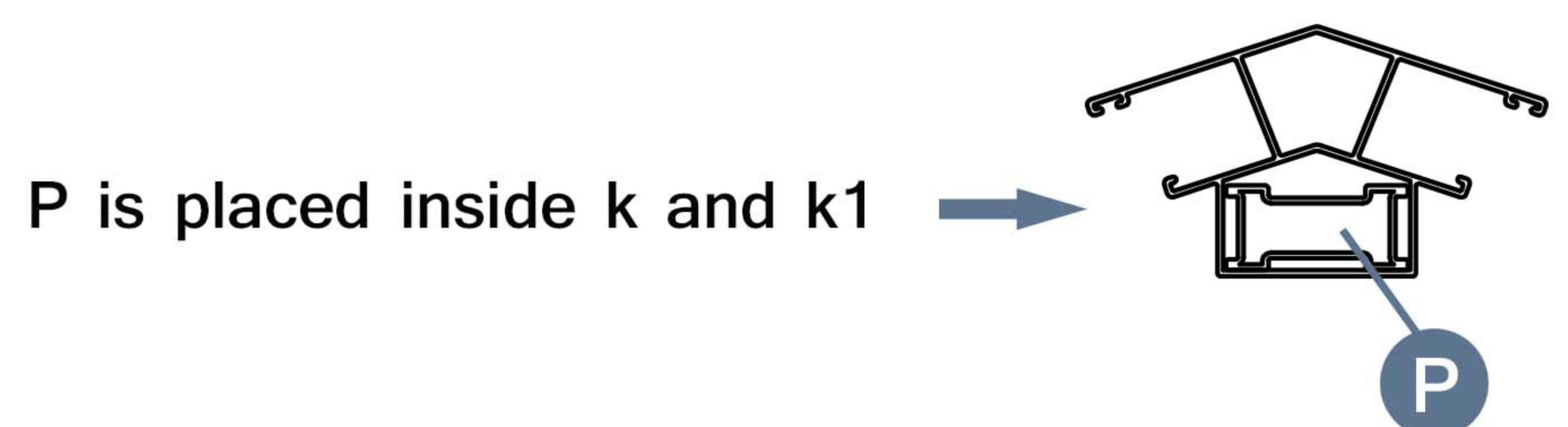
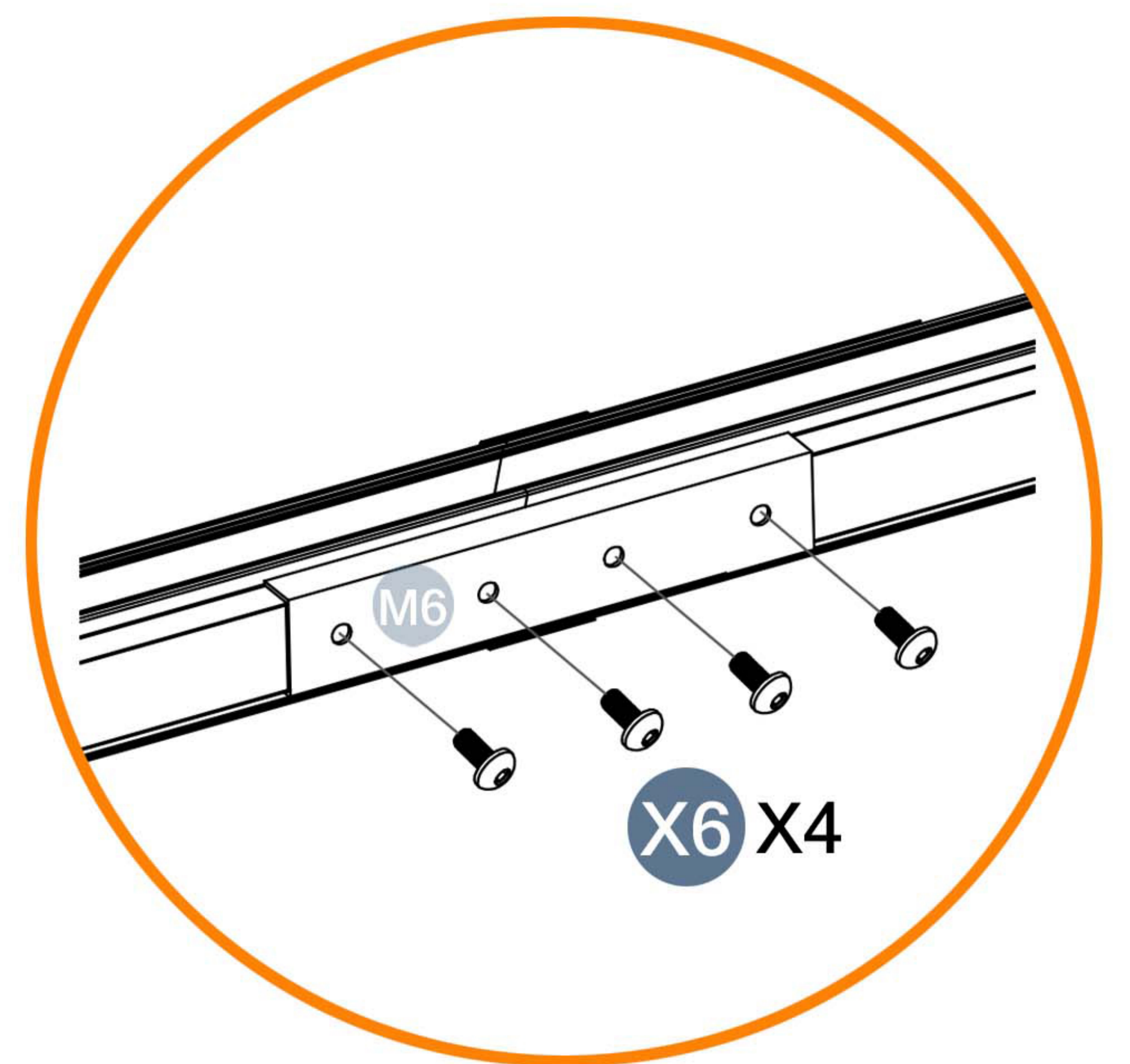
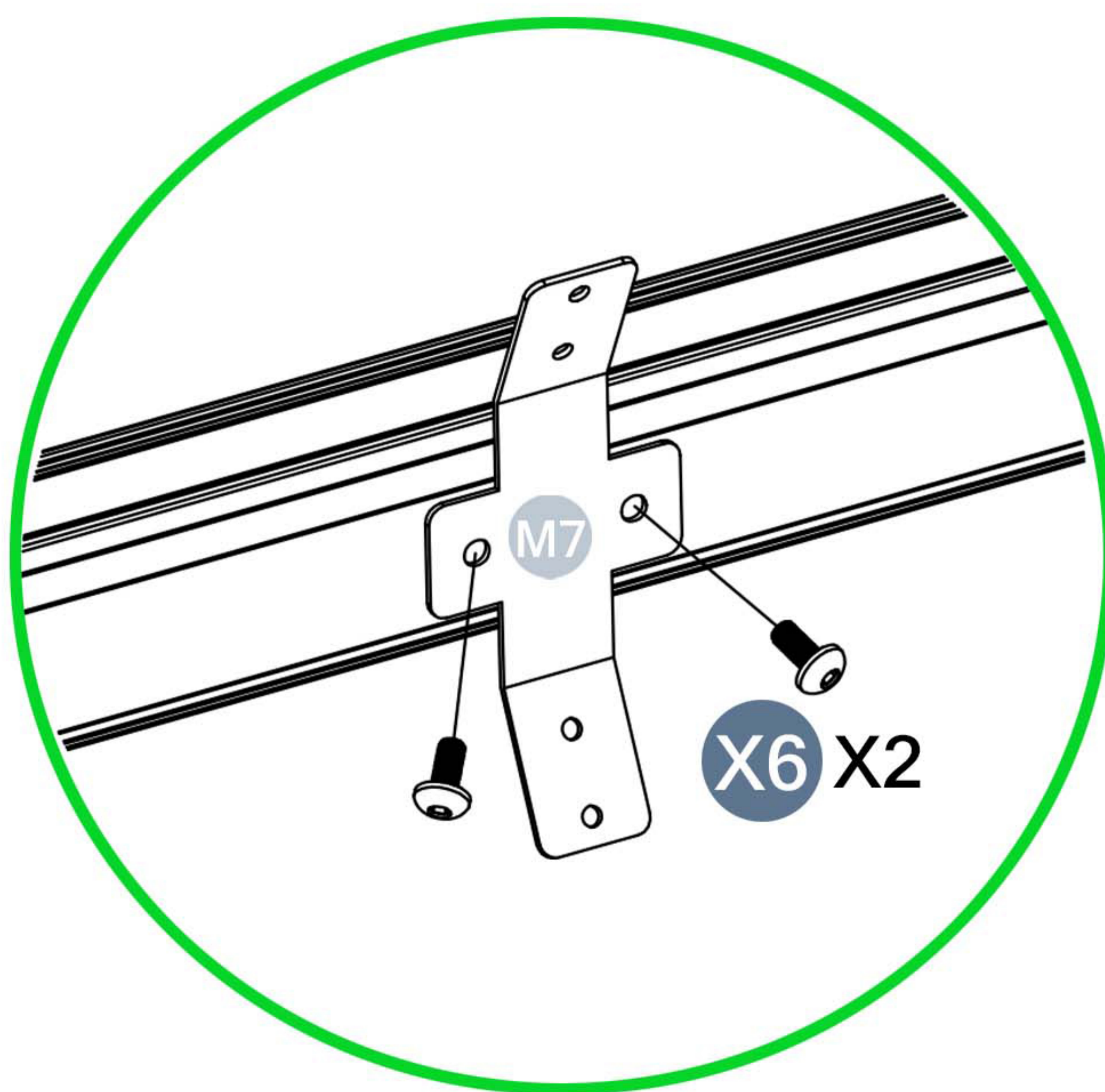
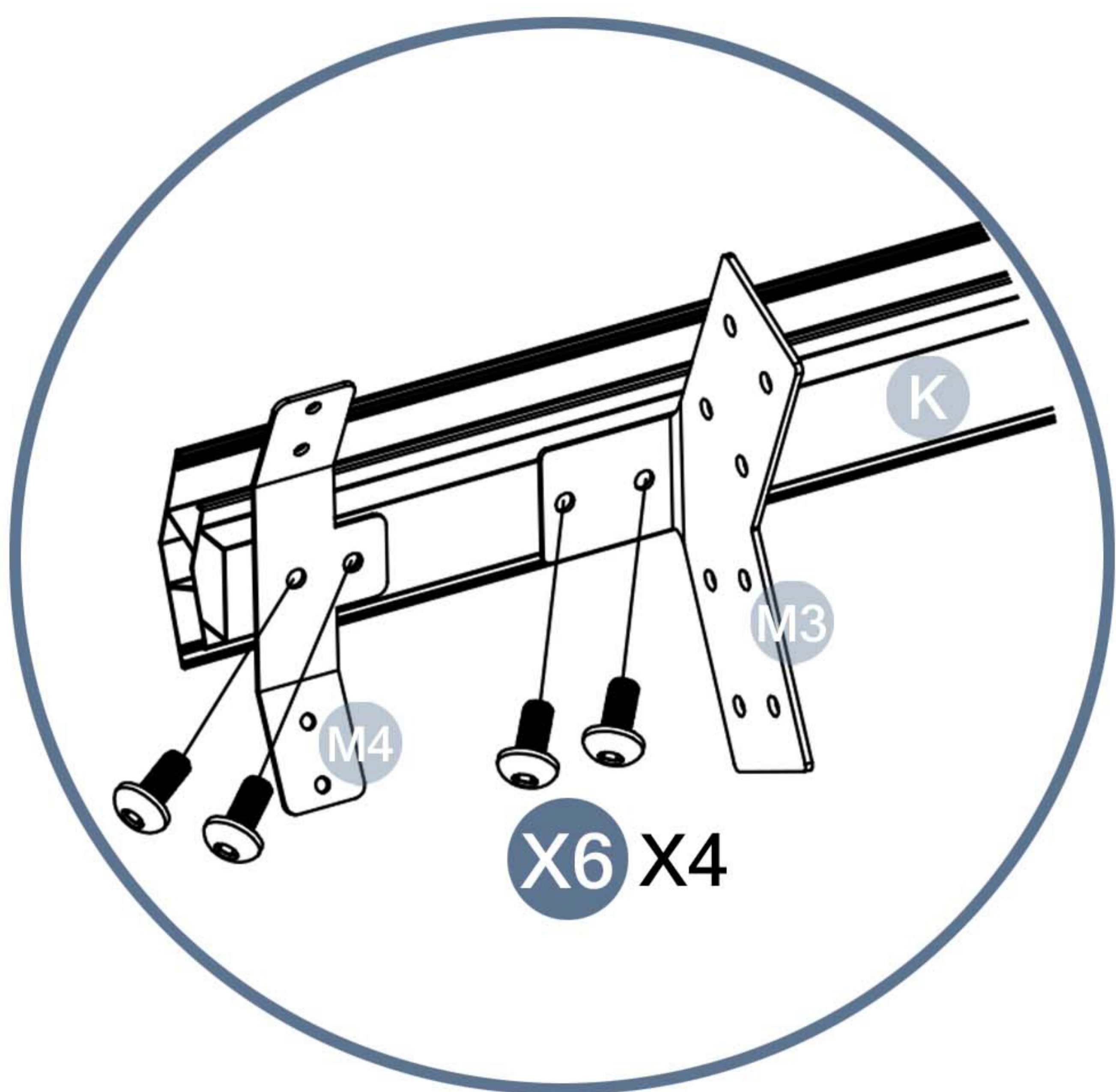
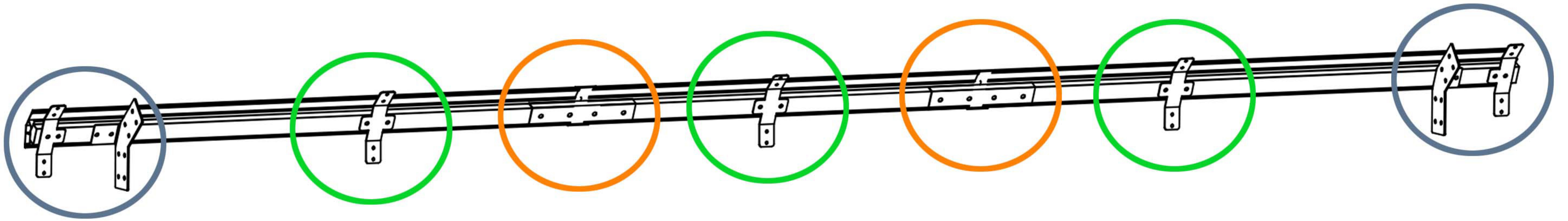
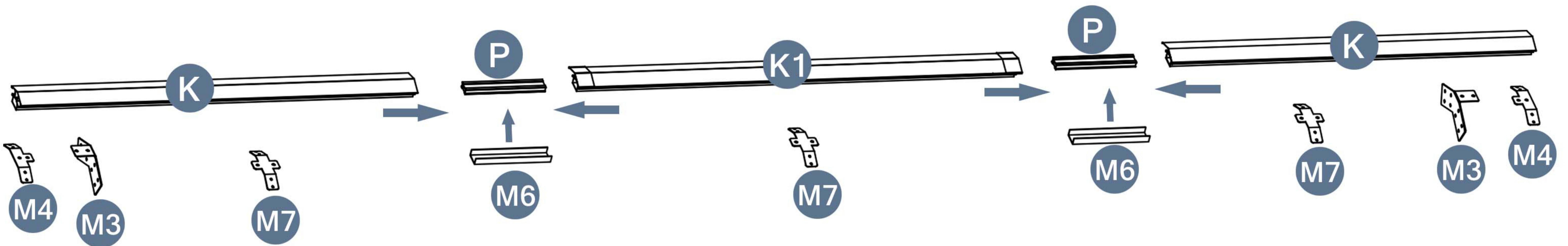
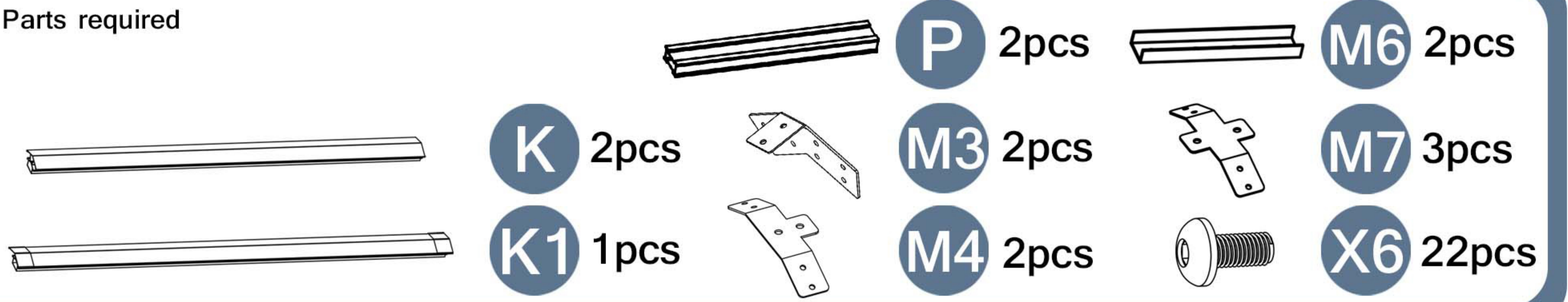
● This picture is an internal view.

Please take care of the screws and contact the after-sales service if there is any problem with the installation or parts.

  E-mail: [cs.helper01@gmail.com](mailto:cs.helper01@gmail.com)

# STEP 8

Parts required

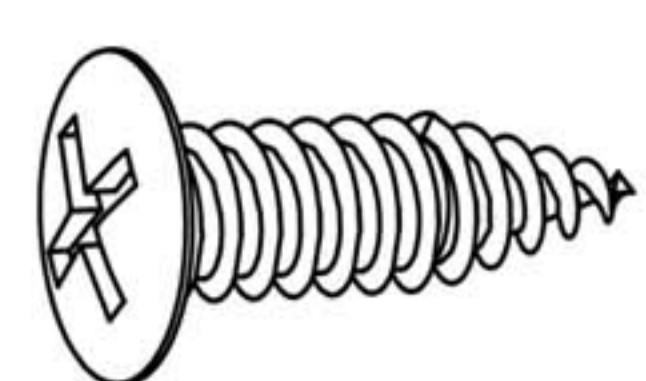


Please take care of the screws and contact the after-sales service if there is any problem with the installation or parts.

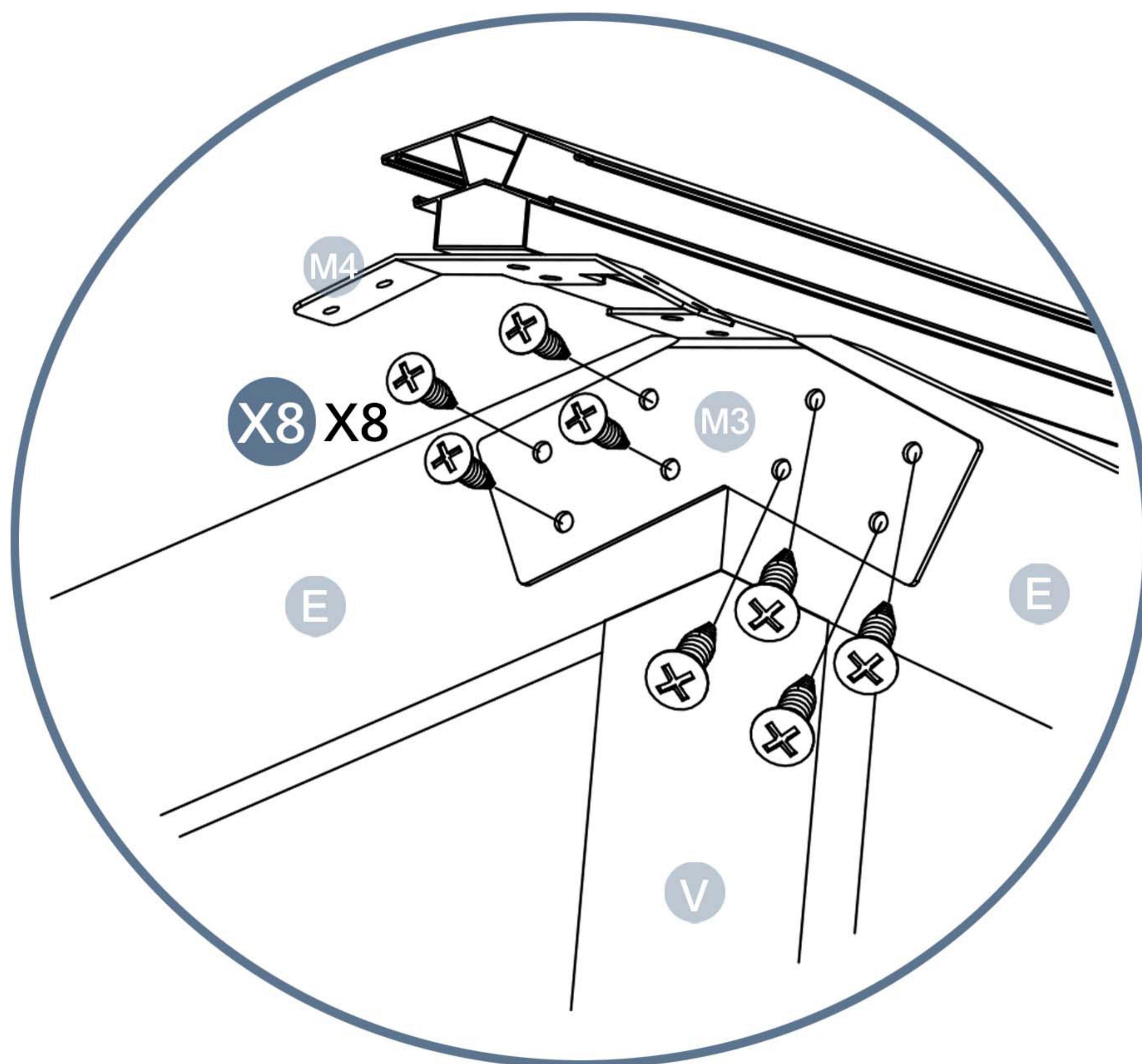
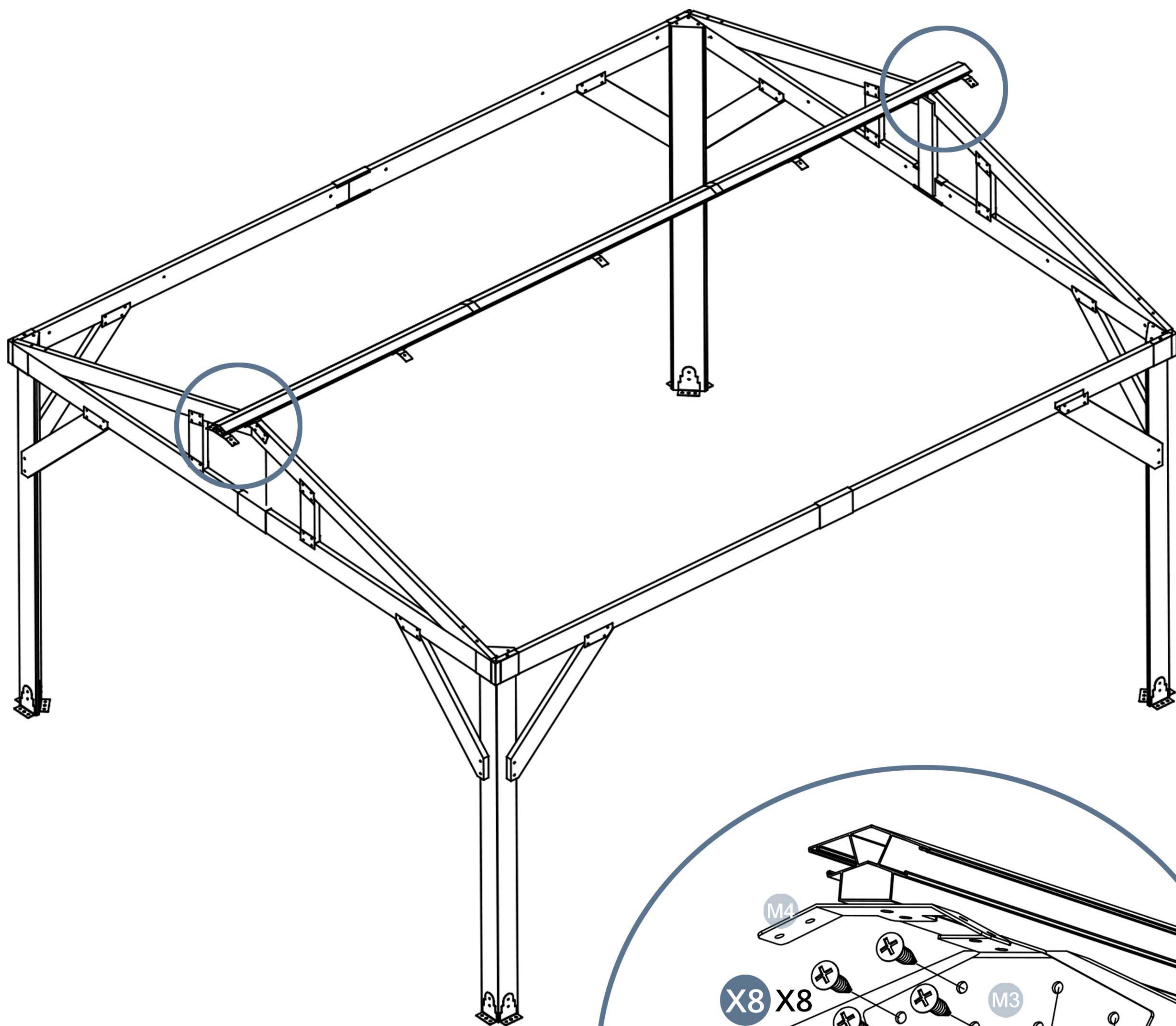
➔ E-mail: [cs.helper01@gmail.com](mailto:cs.helper01@gmail.com)

# STEP 9

Parts required



X8 16pcs



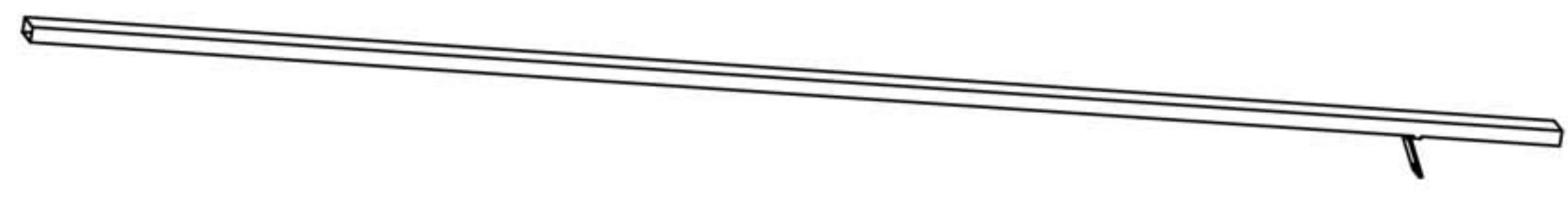
X2

Please take care of the screws and contact the after-sales service if there is any problem with the installation or parts.

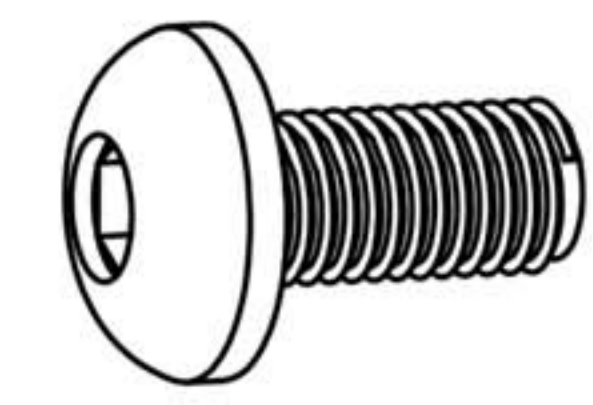
➔ ✉ E-mail: [cs.helper01@gmail.com](mailto:cs.helper01@gmail.com)

# STEP 10

Parts required

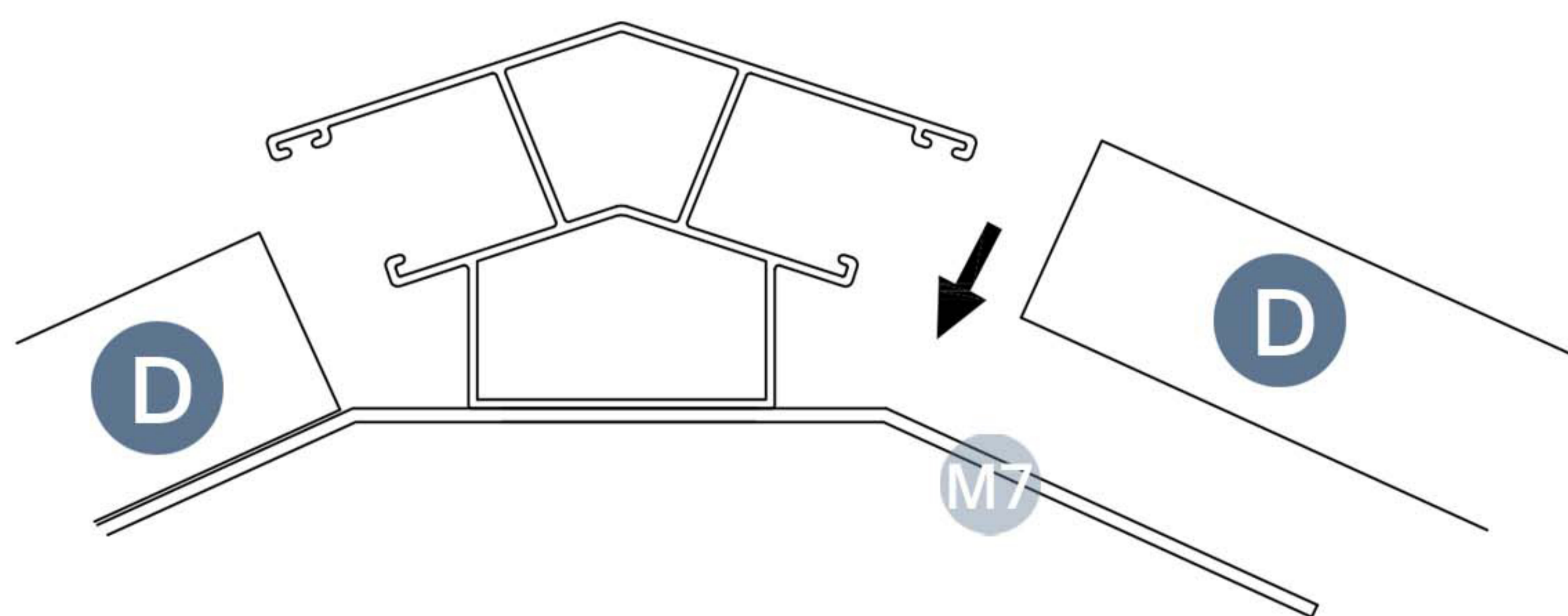
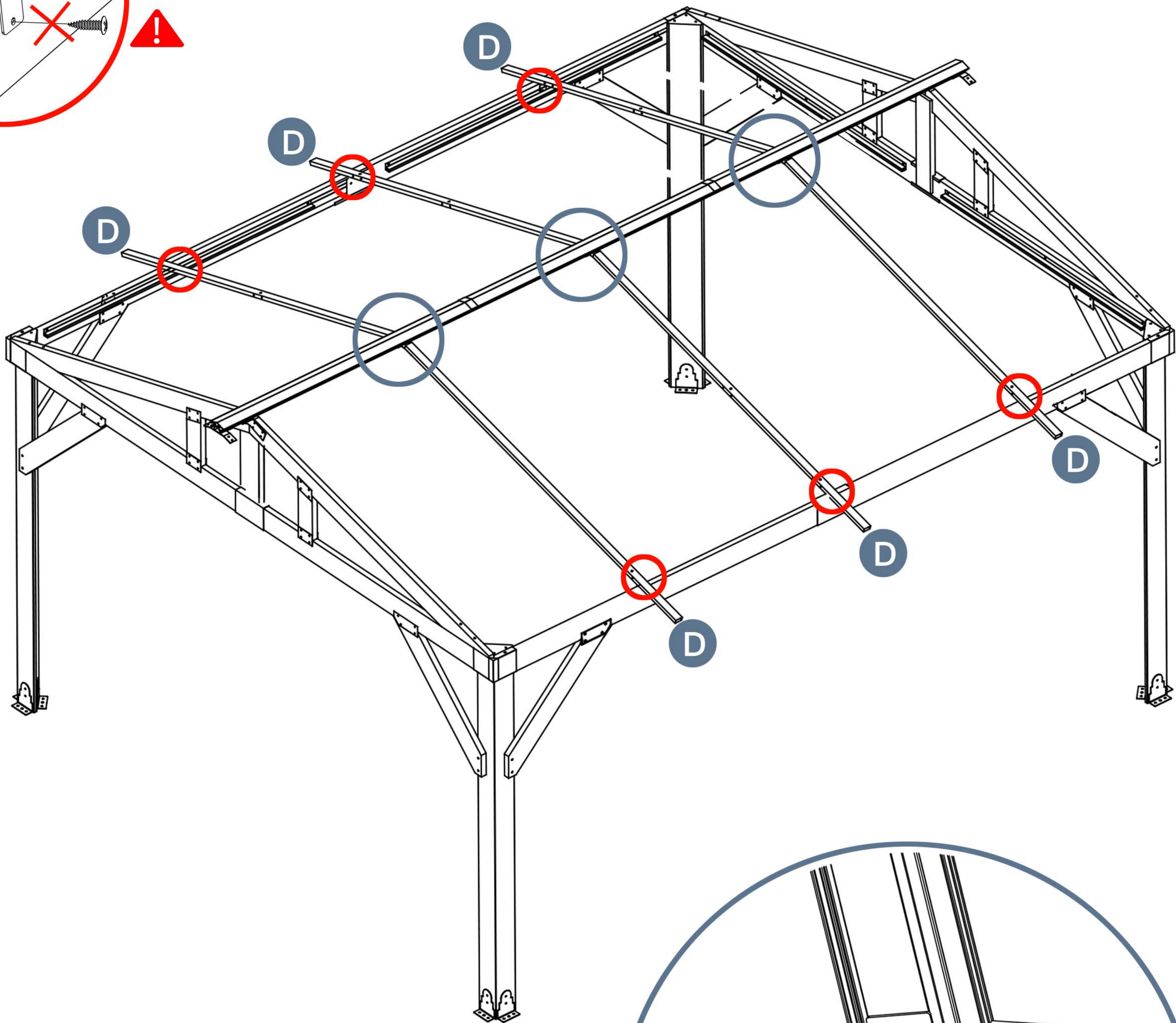
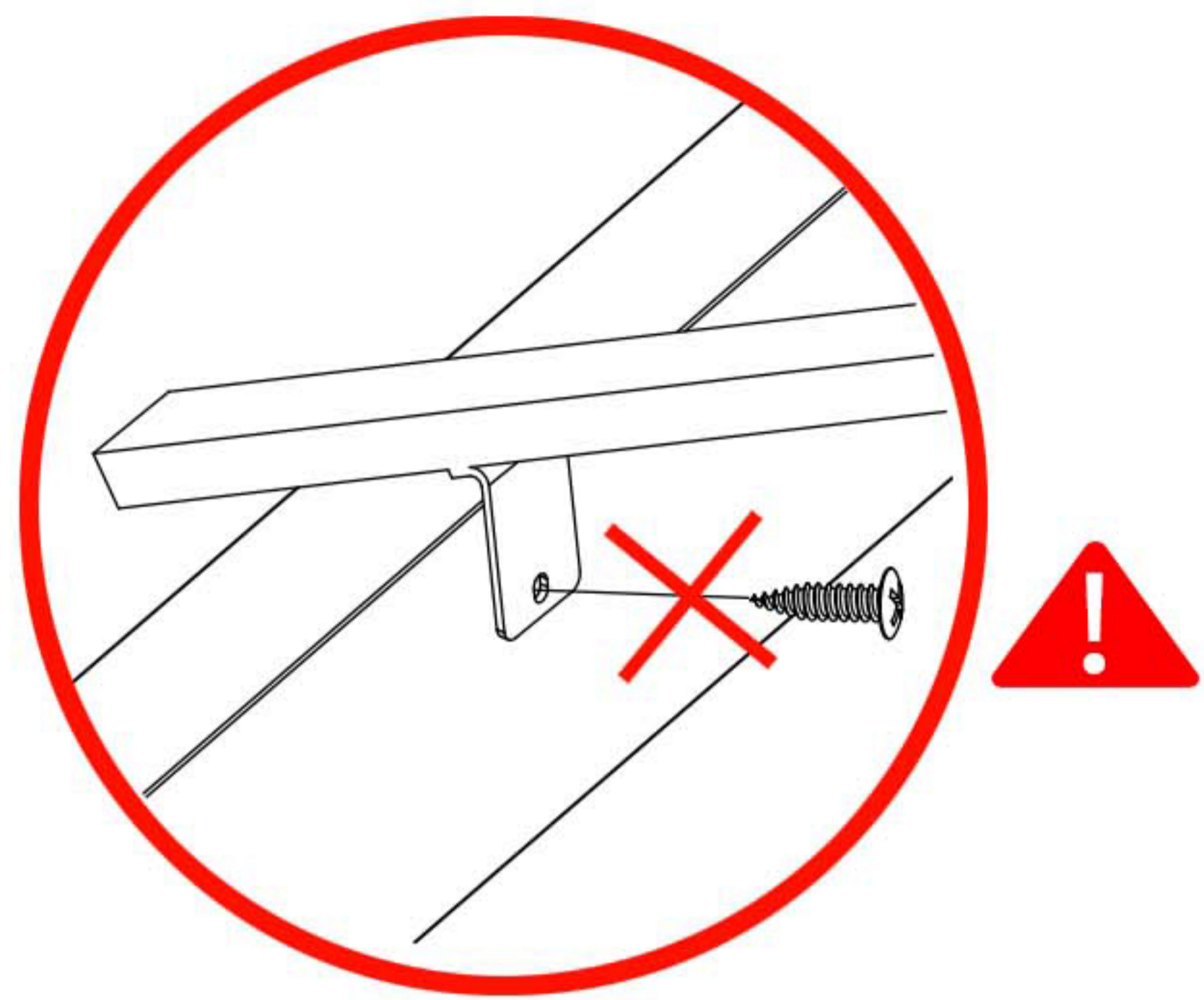


D 6pcs

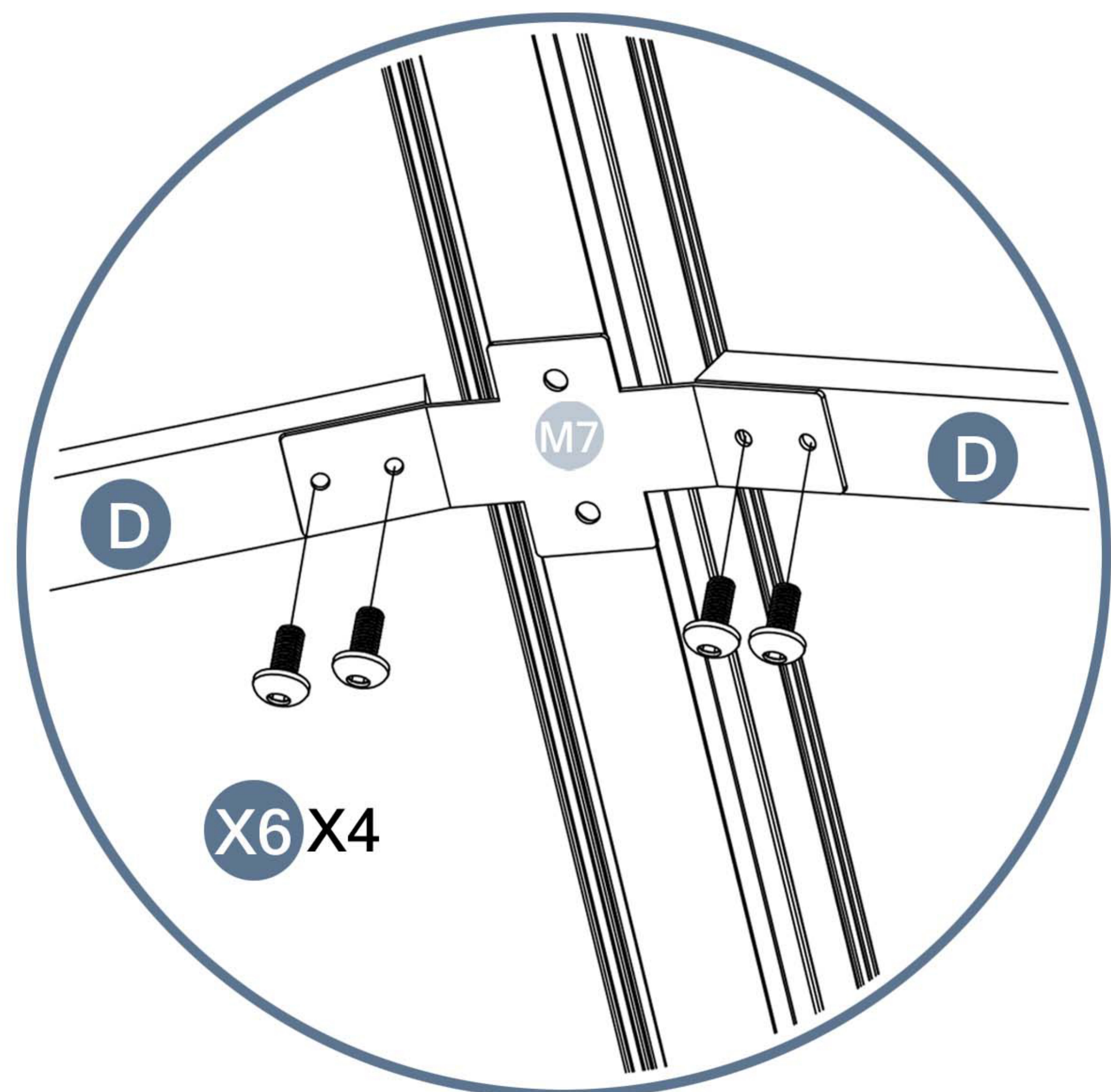


X6 12pcs

⚠ For the convenience of installation, it is not easy to screw at the red circle for the time being, and then screw again in step 19.

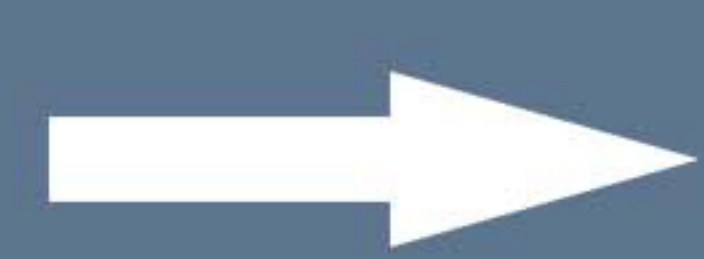


• Side view



X3

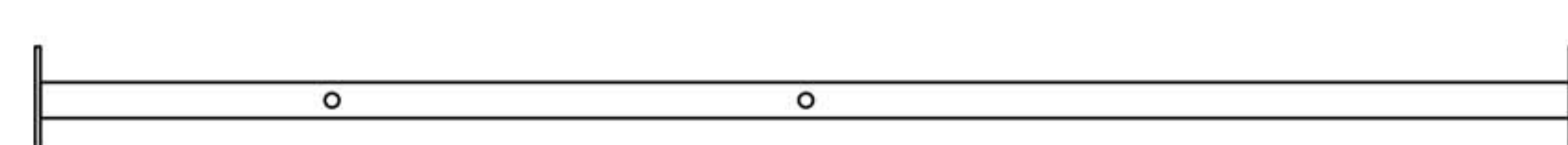
Please take care of the screws and contact the after-sales service if there is any problem with the installation or parts.



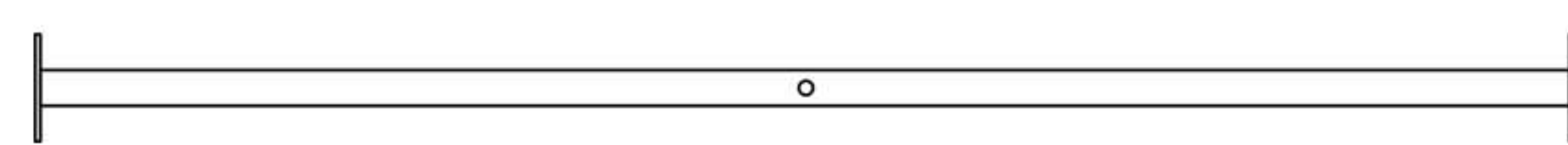
E-mail: [cs.helper01@gmail.com](mailto:cs.helper01@gmail.com)

# STEP 11

Parts required



**H1** 4pcs

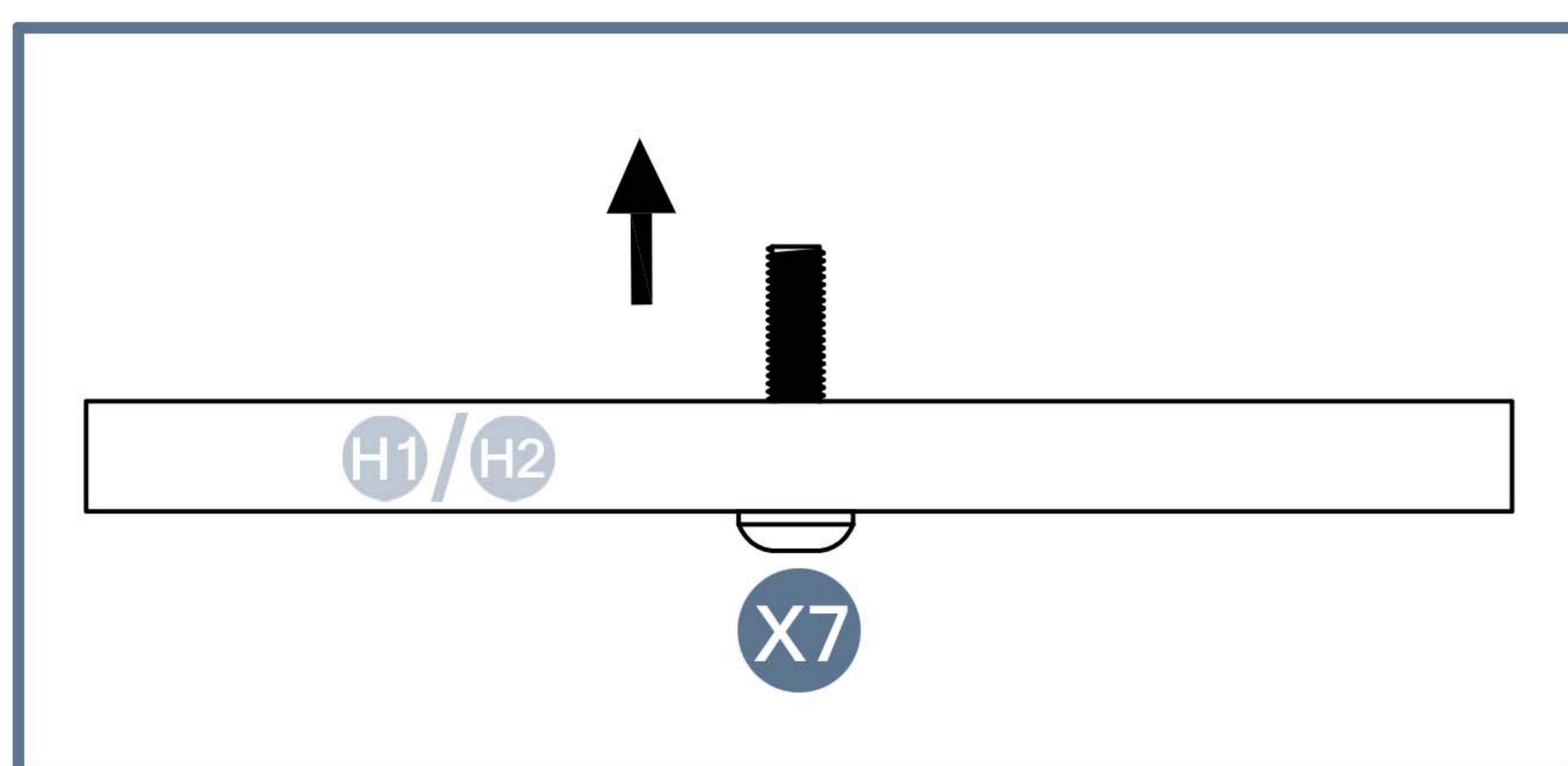
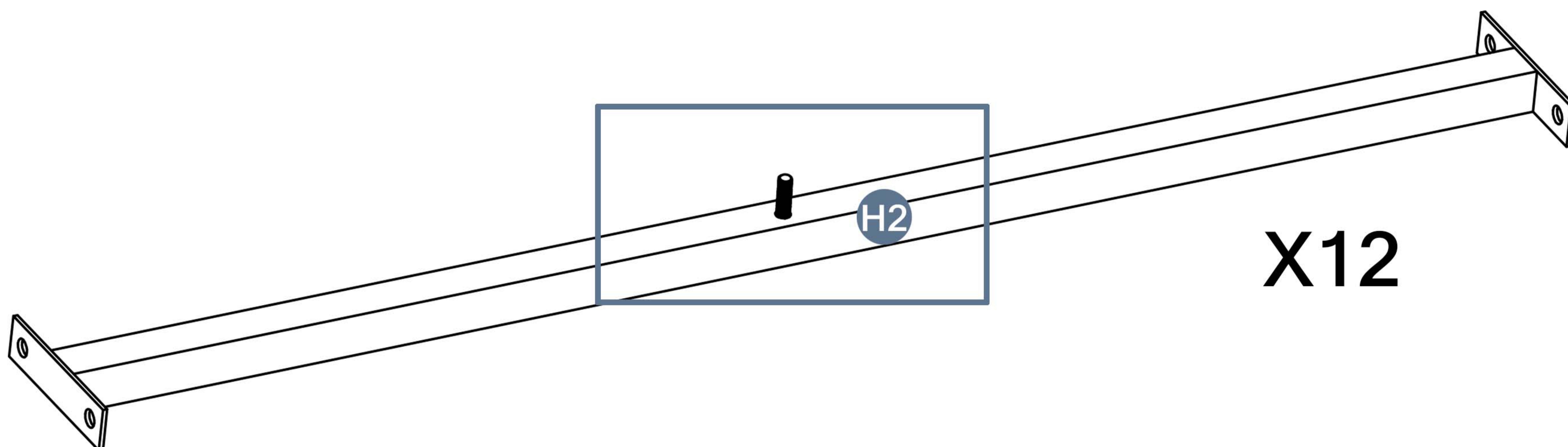
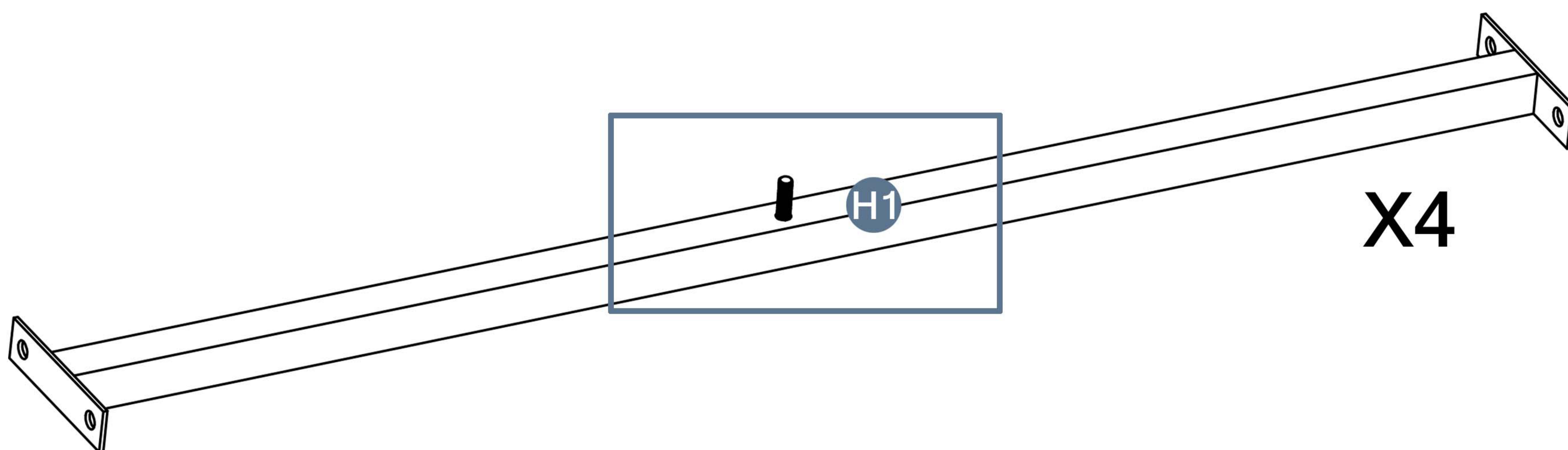


**H2** 12pcs



**X7** 16pcs

Only **X7** screws are used in this step. Please store the **X7** nuts. Steps 15 and 16 will be used.

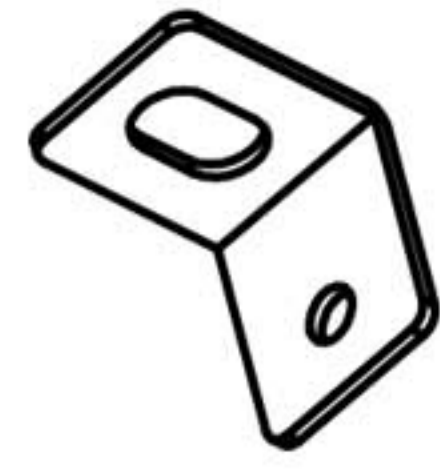


Please take care of the screws and contact the after-sales service if there is any problem with the installation or parts.

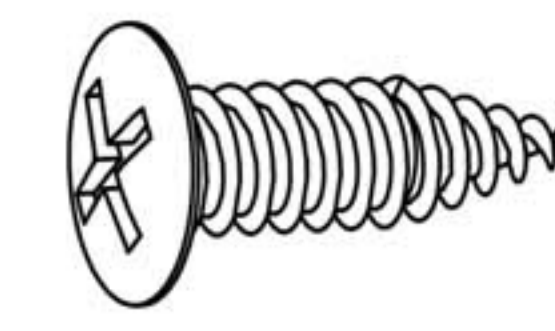
➔ ✉ E-mail: [cs.helper01@gmail.com](mailto:cs.helper01@gmail.com)

# STEP 12

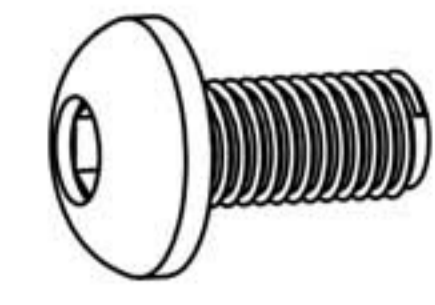
Parts required



M9 4pcs



X8 4pcs



X6 52pcs

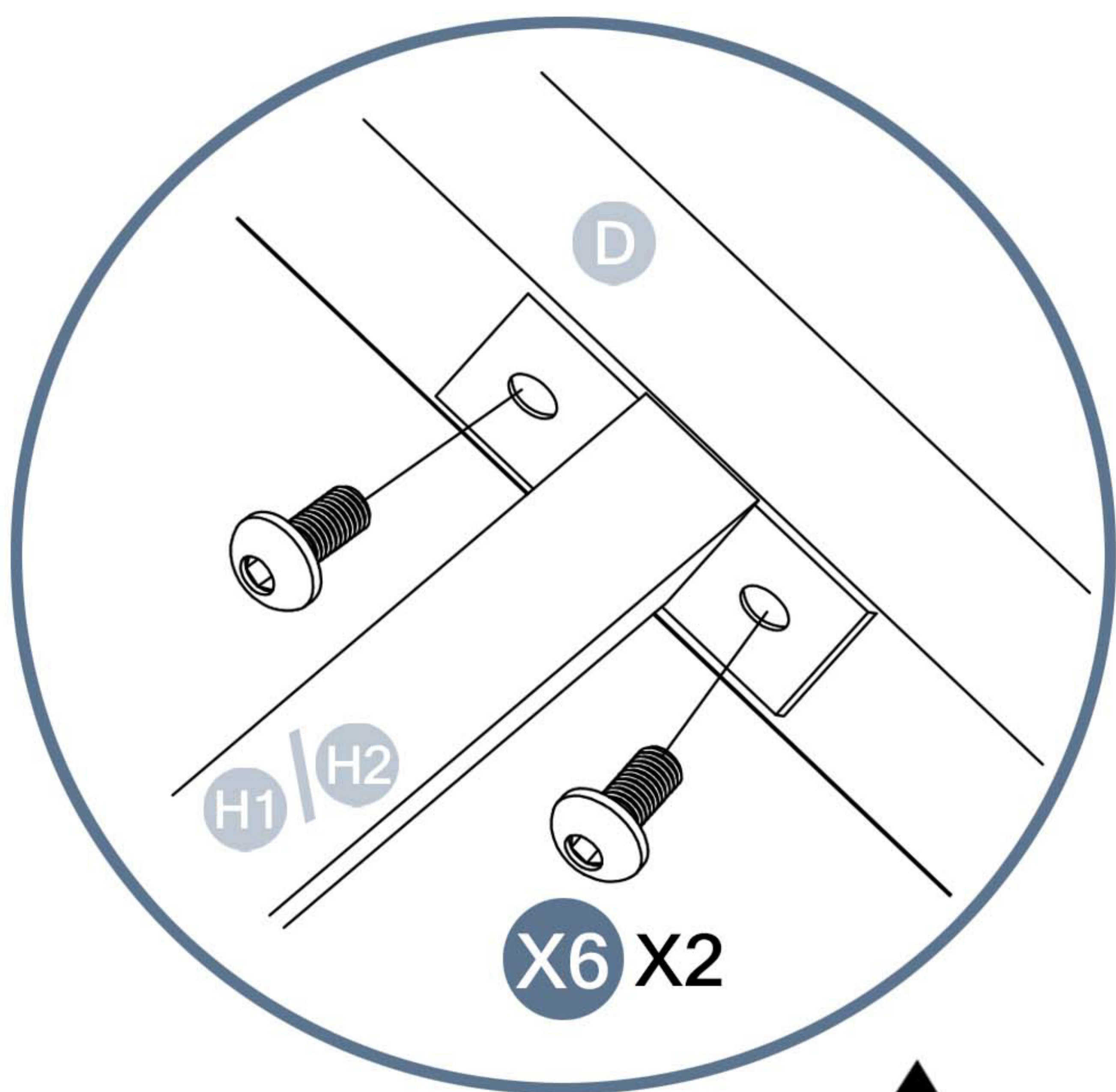
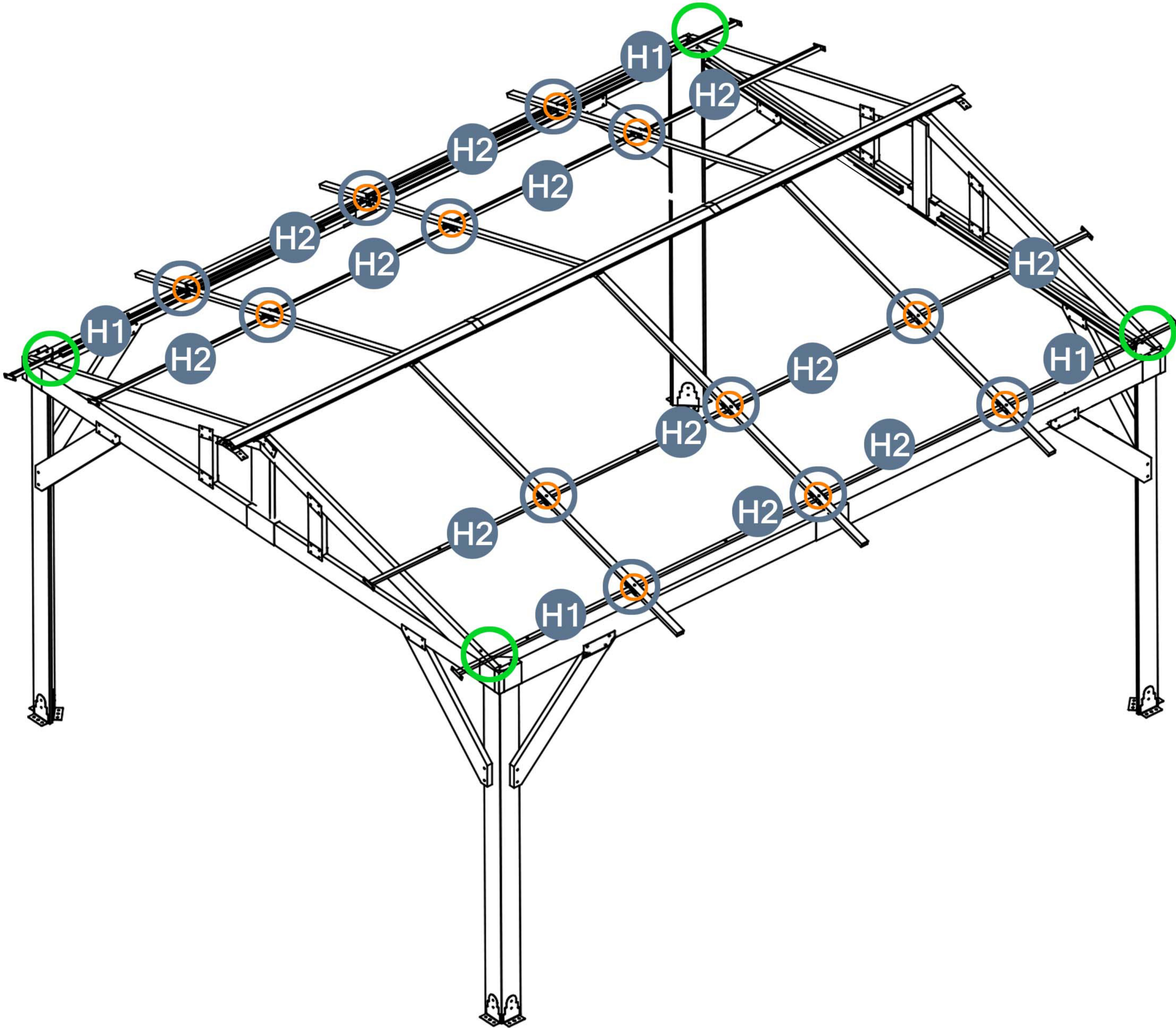


X7 12pcs

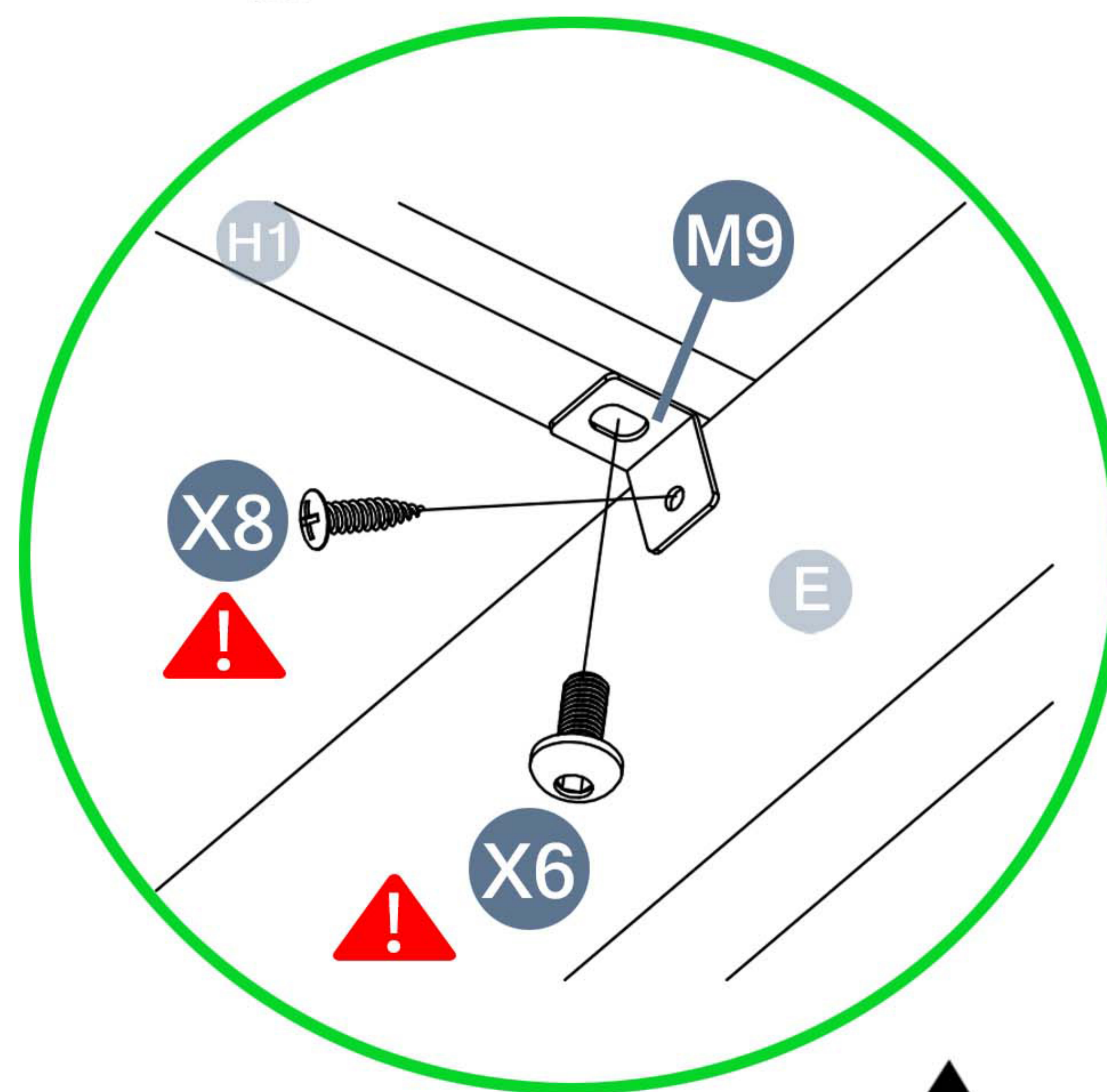


Only X7 screws are used in this step. Please store the X7 nuts. Steps 15 and 16 will be used.

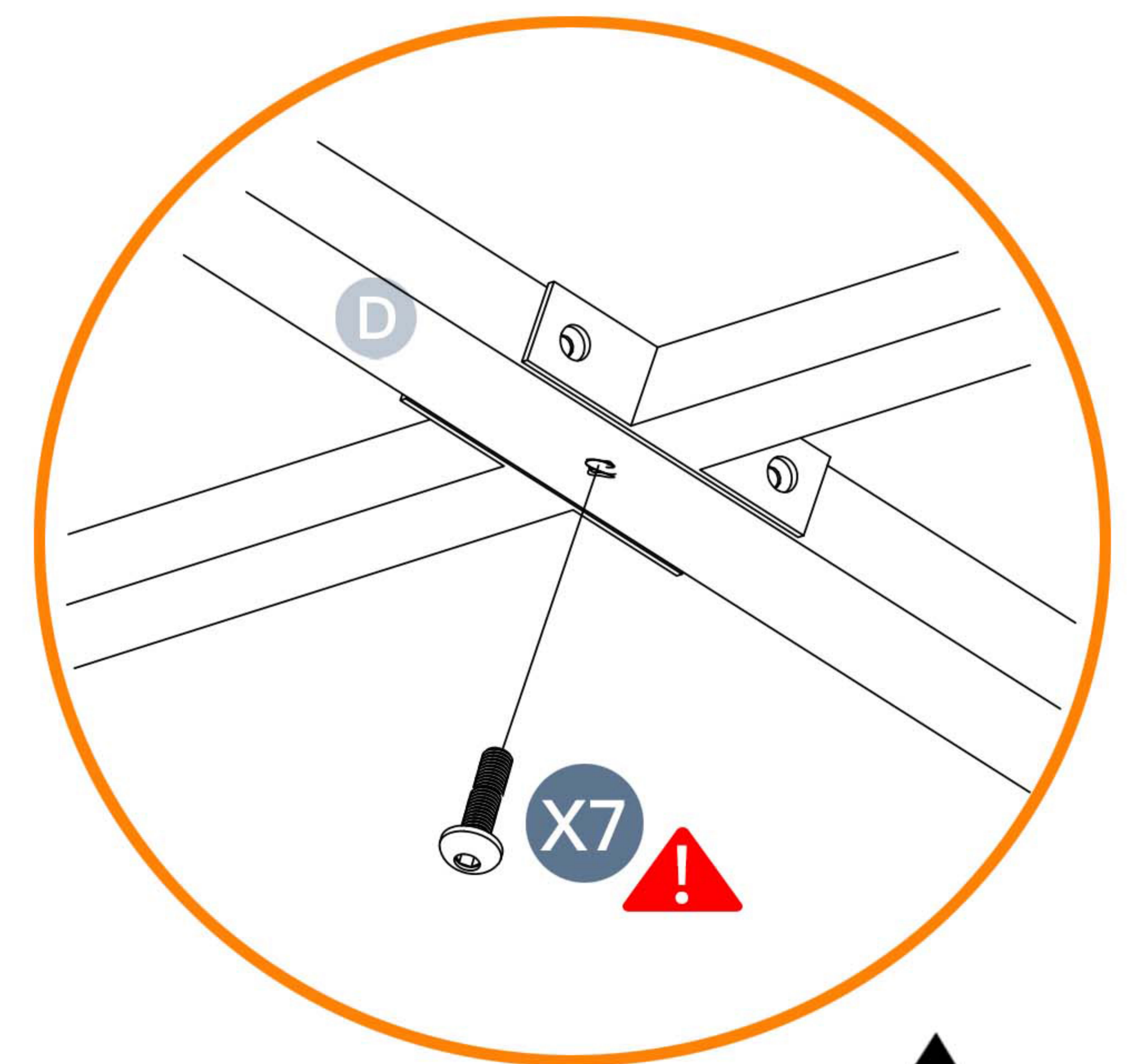
Please note that different screws are being used.



1

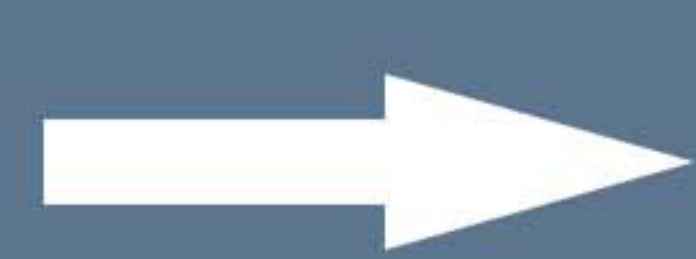


2



3

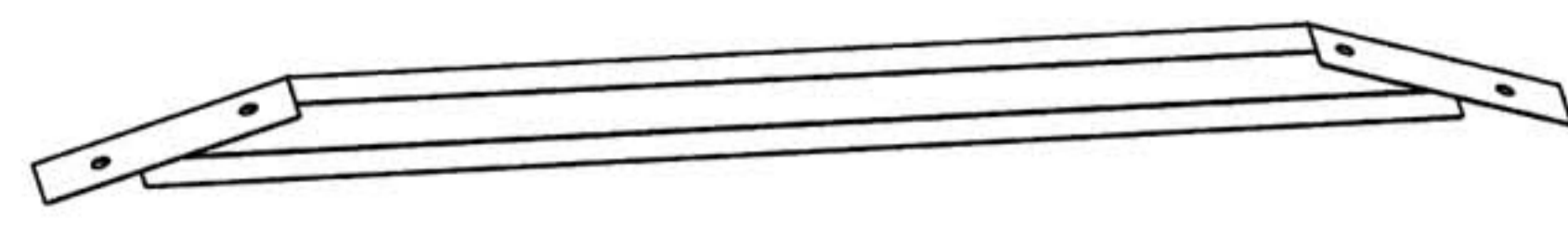
Please take care of the screws and contact the after-sales service if there is any problem with the installation or parts.



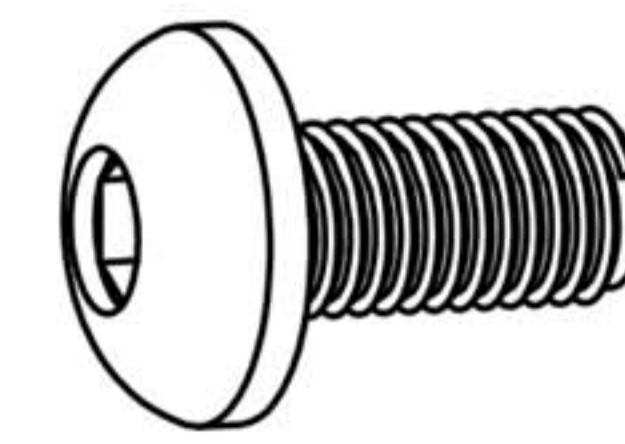
E-mail: [cs.helper01@gmail.com](mailto:cs.helper01@gmail.com)

# STEP 13

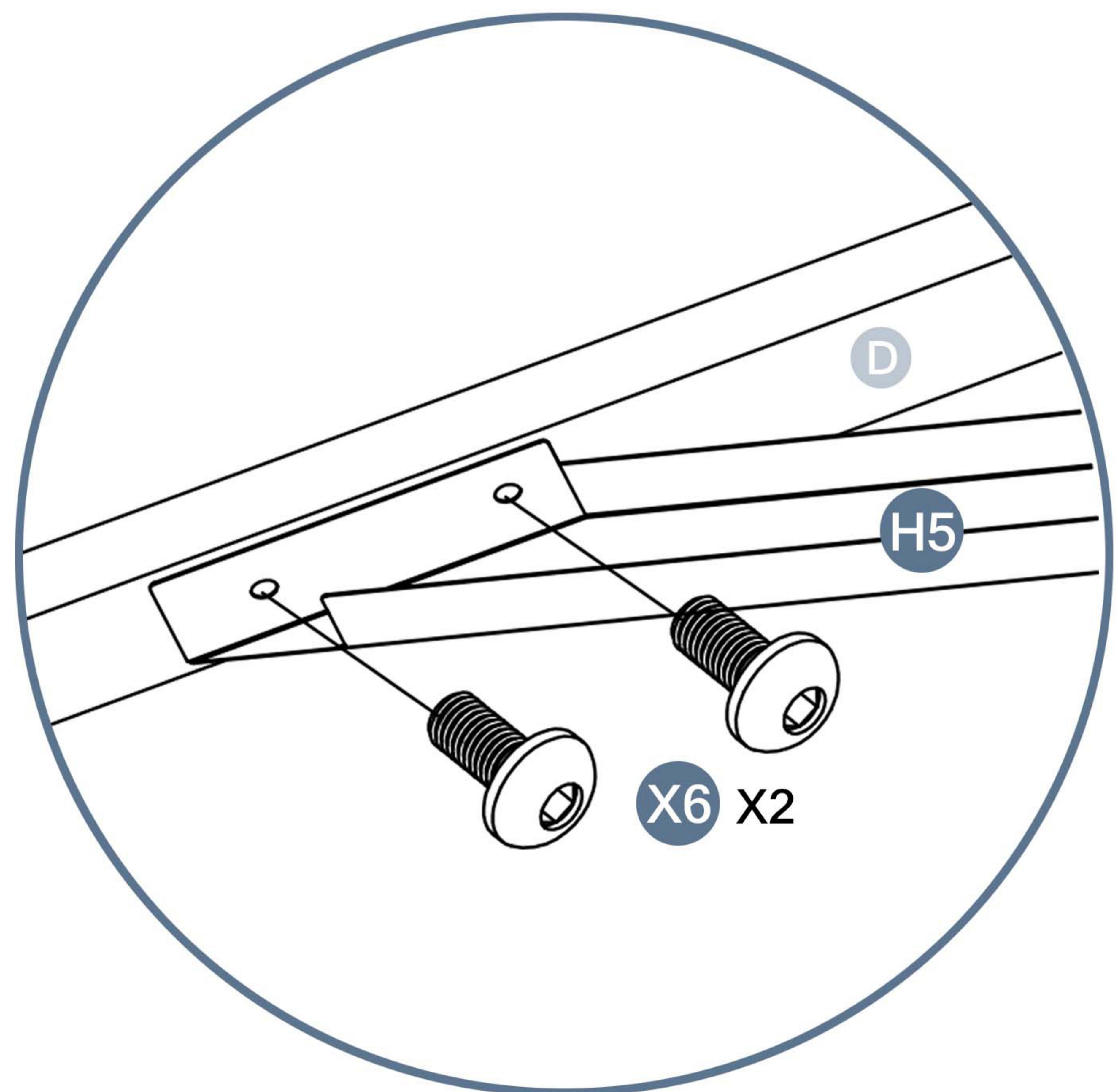
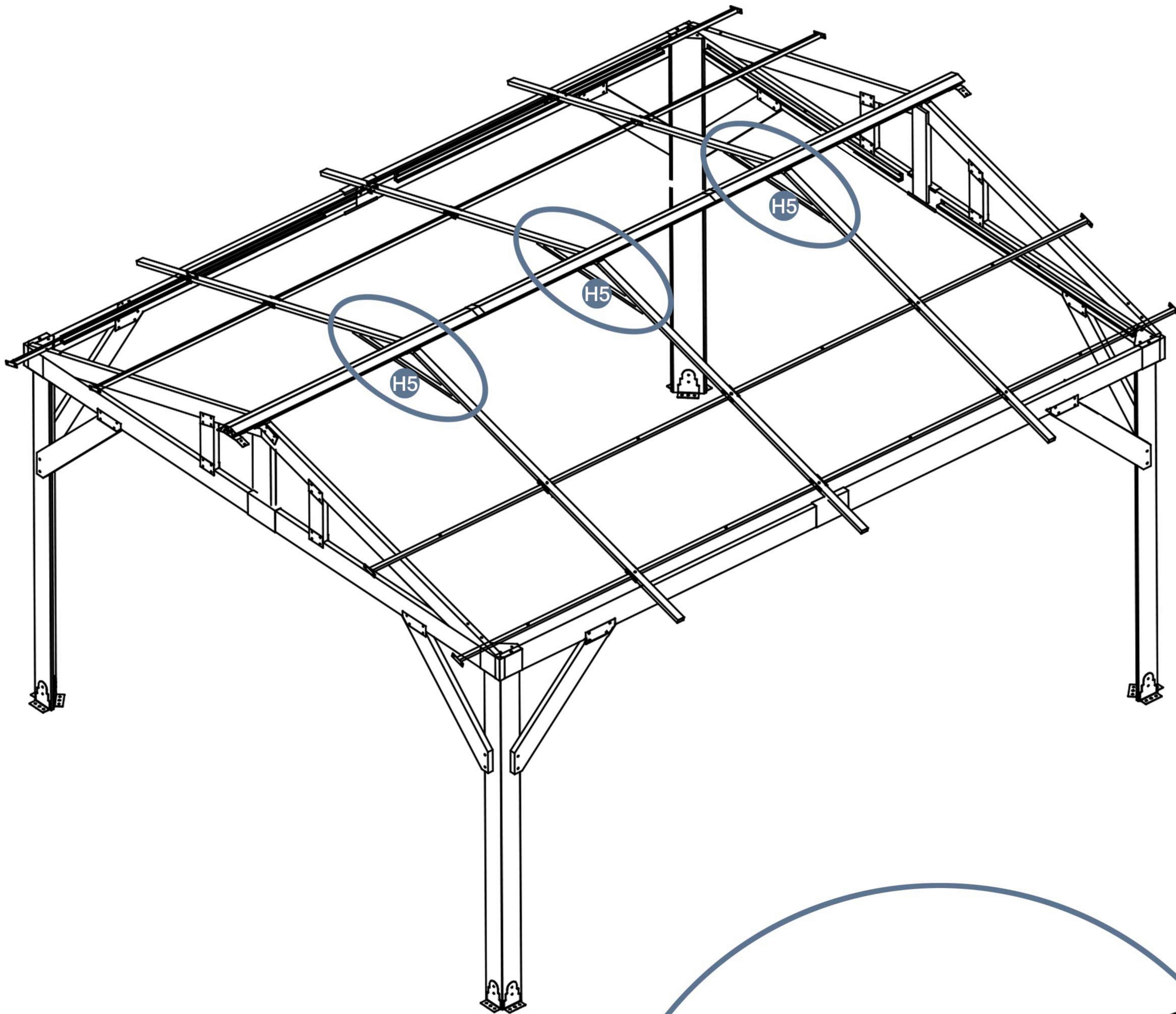
Parts required



H5 3pcs



X6 12pcs



Please take care of the screws and contact the after-sales service if there is any problem with the installation or parts.

➔ ✉ E-mail: [cs.helper01@gmail.com](mailto:cs.helper01@gmail.com)

# STEP 14

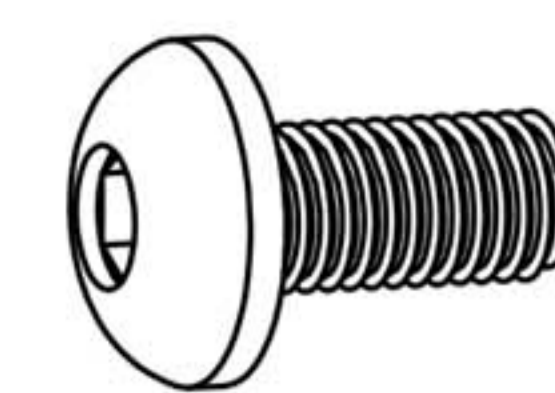
Parts required



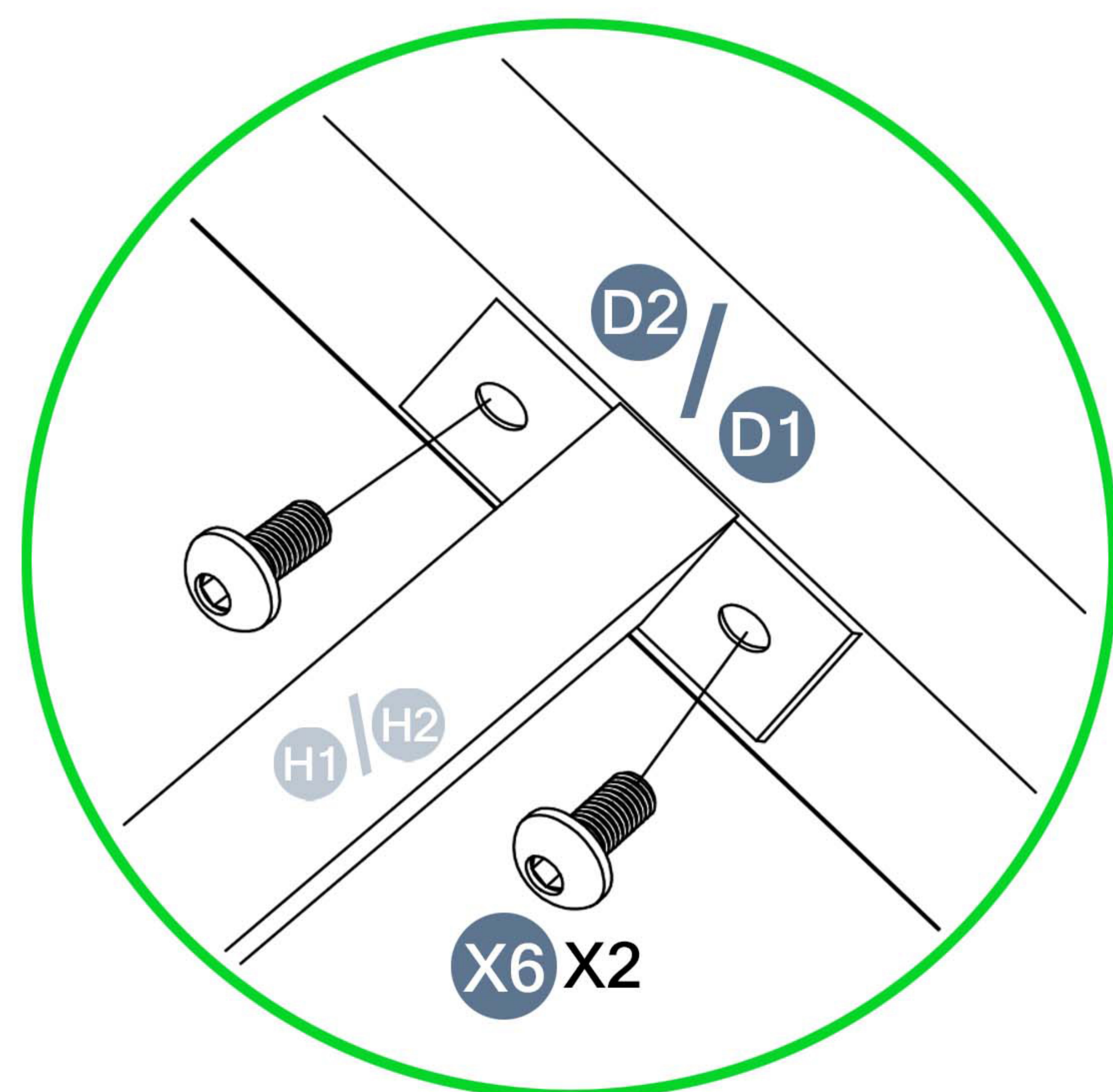
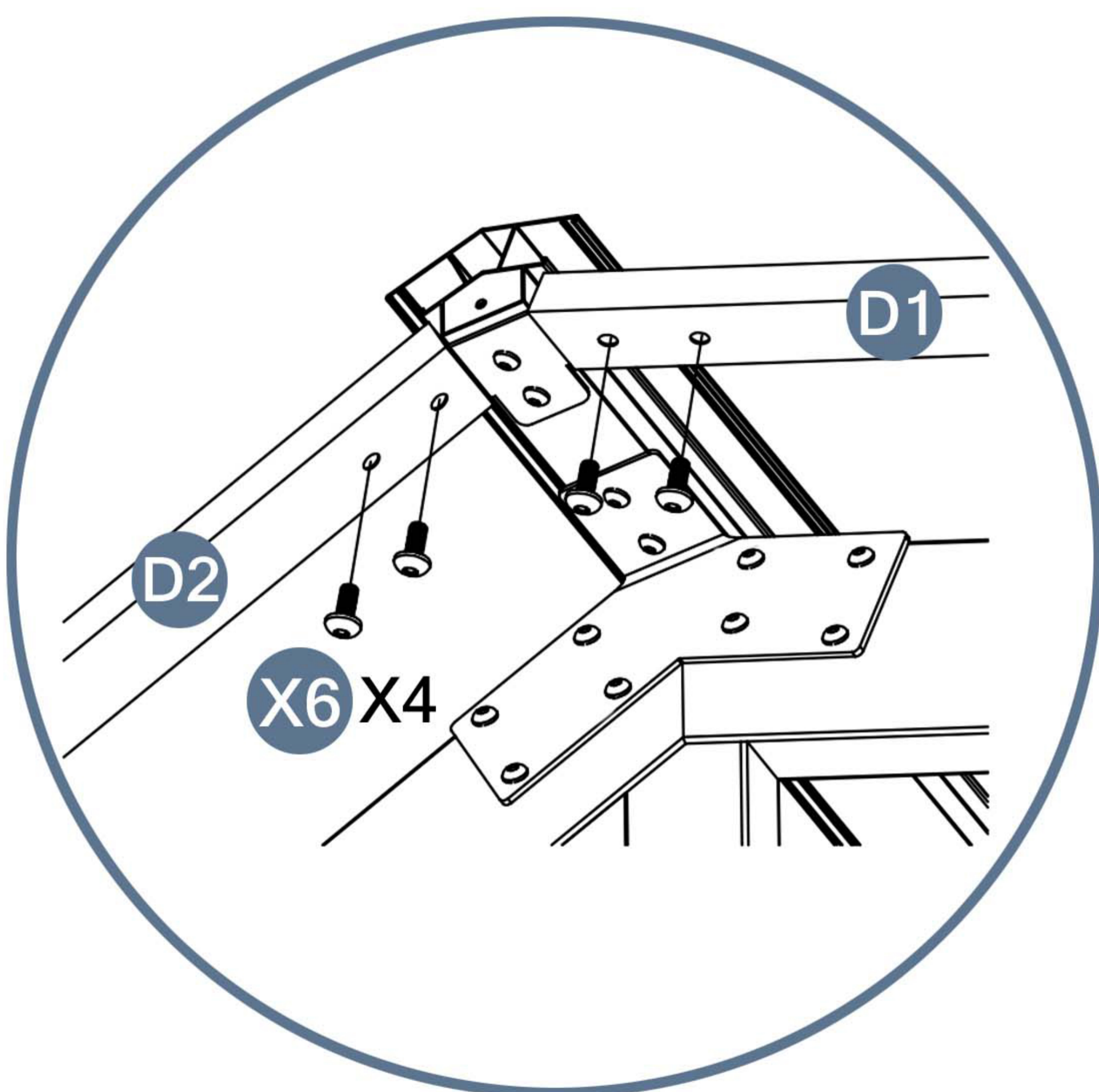
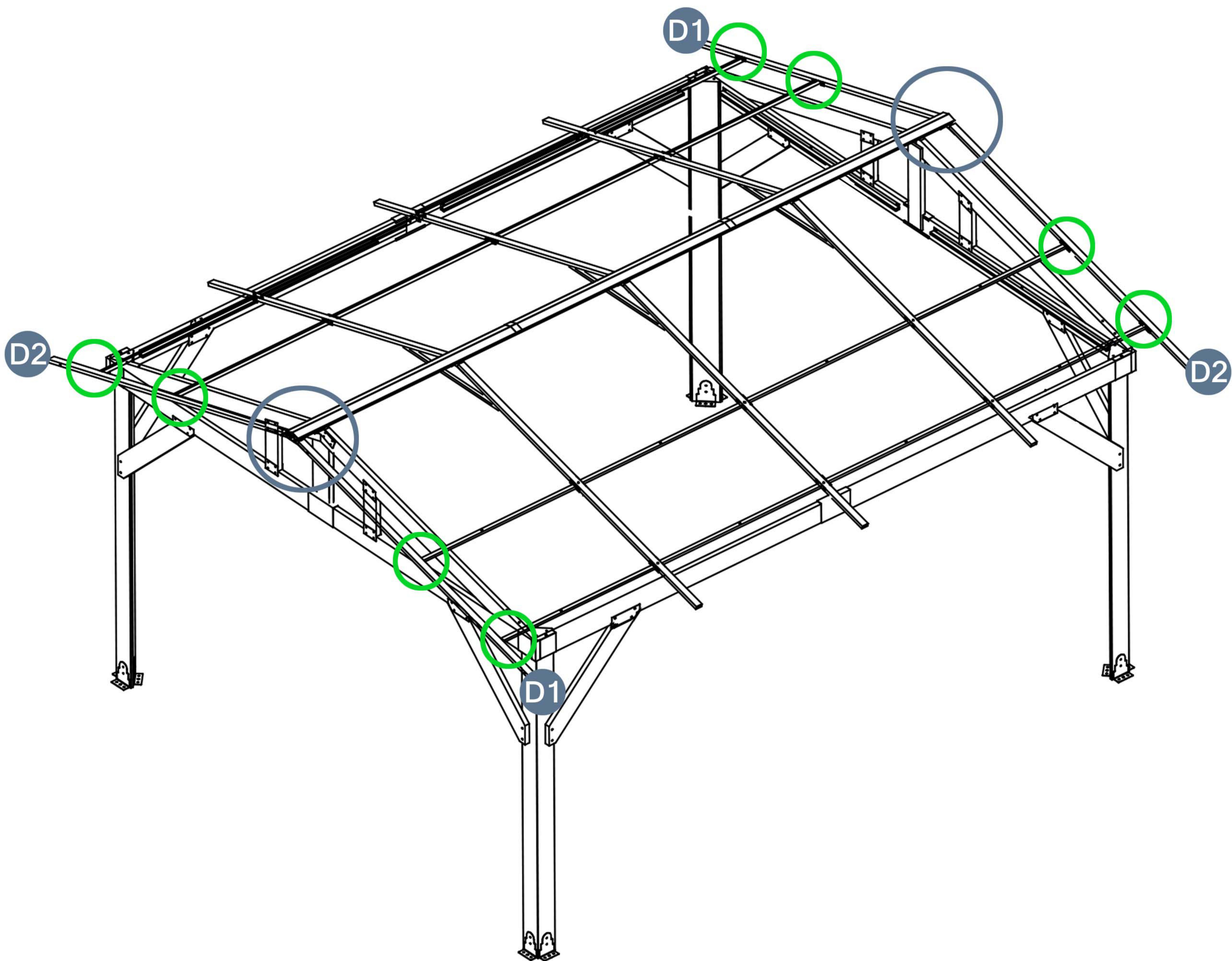
D1 2pcs



D2 2pcs



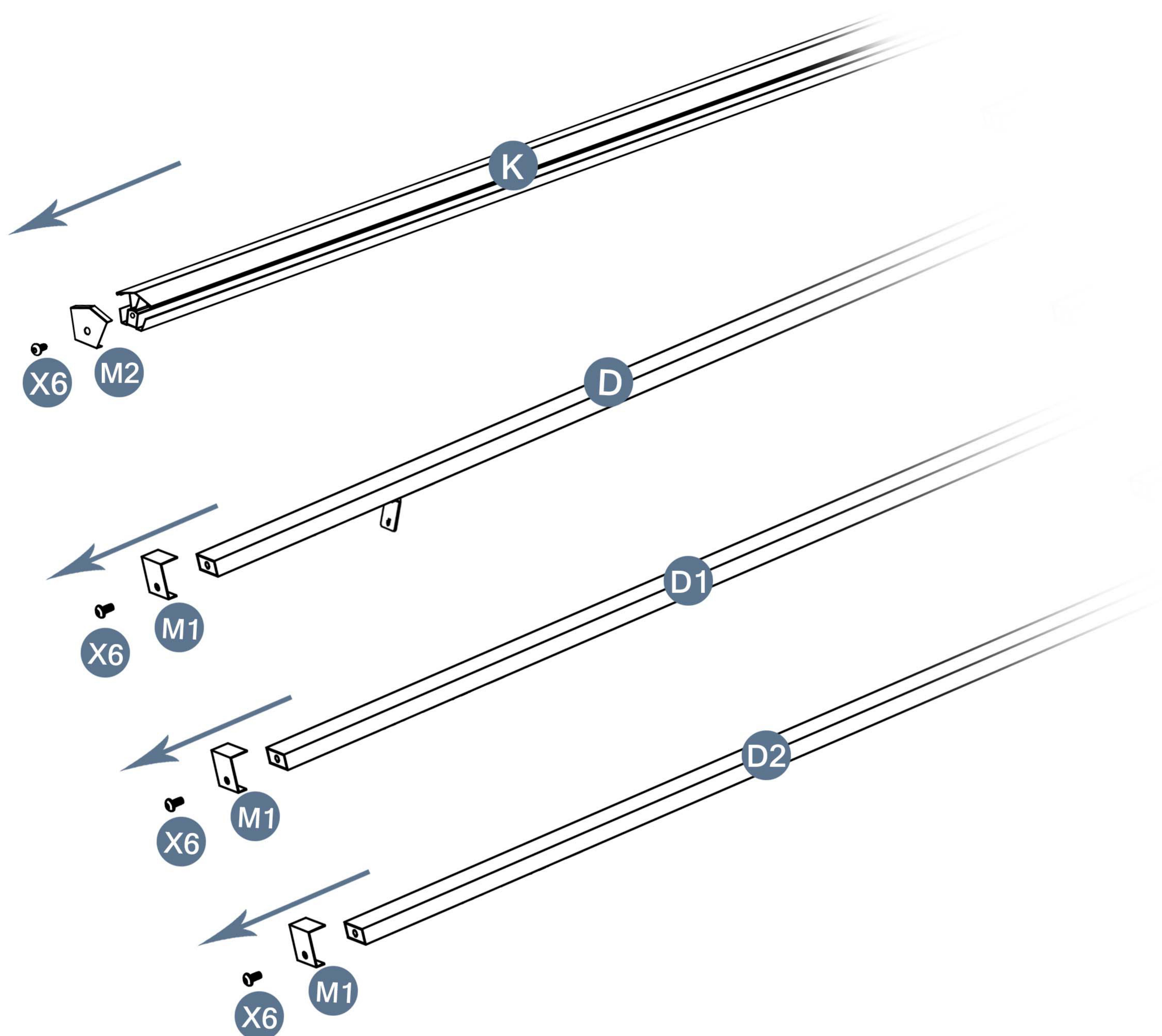
X6 24pcs



Please take care of the screws and contact the after-sales service if there is any problem with the installation or parts.

To prevent the loss of M2 and M1  
we mounted the M2 and M1 on top of the K and D/D1/D2 ahead of time

Before installing step 15, please remove the 2 M2's  
and 10 M1's from the part K and D/D1/D2. (Reinstall them during step 17/ step 18) .

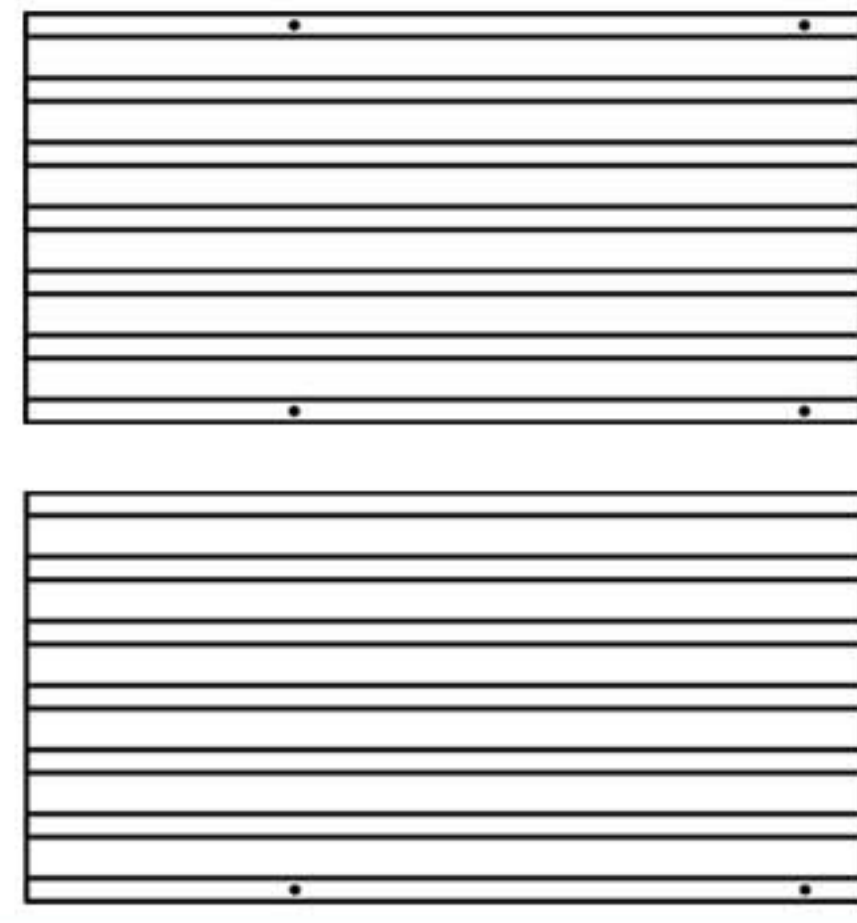


Please take care of the screws and contact the after-sales service if there is any problem with the installation or parts.

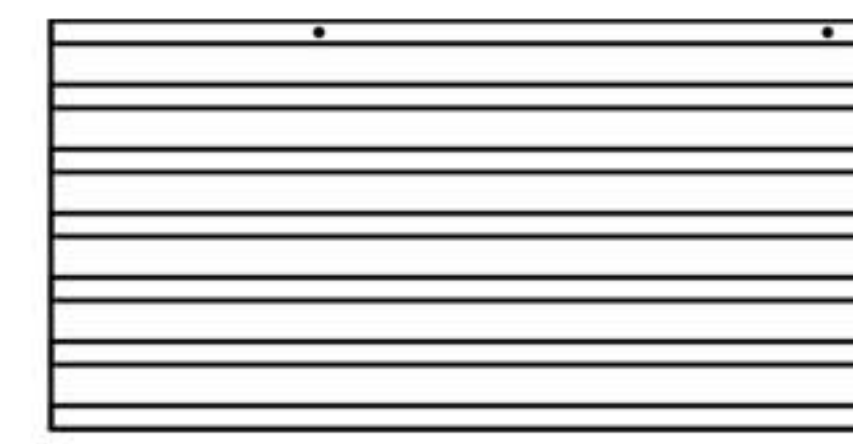
➔ ✉ E-mail: [cs.helper01@gmail.com](mailto:cs.helper01@gmail.com)

# STEP 15

Parts required

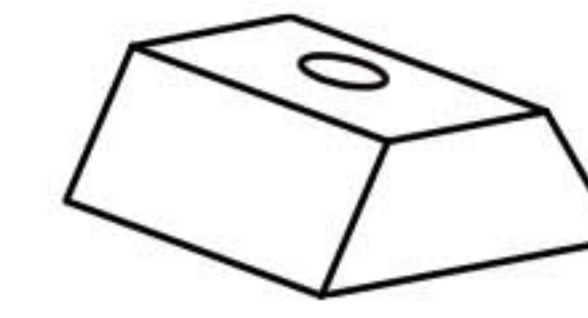


N 12pcs

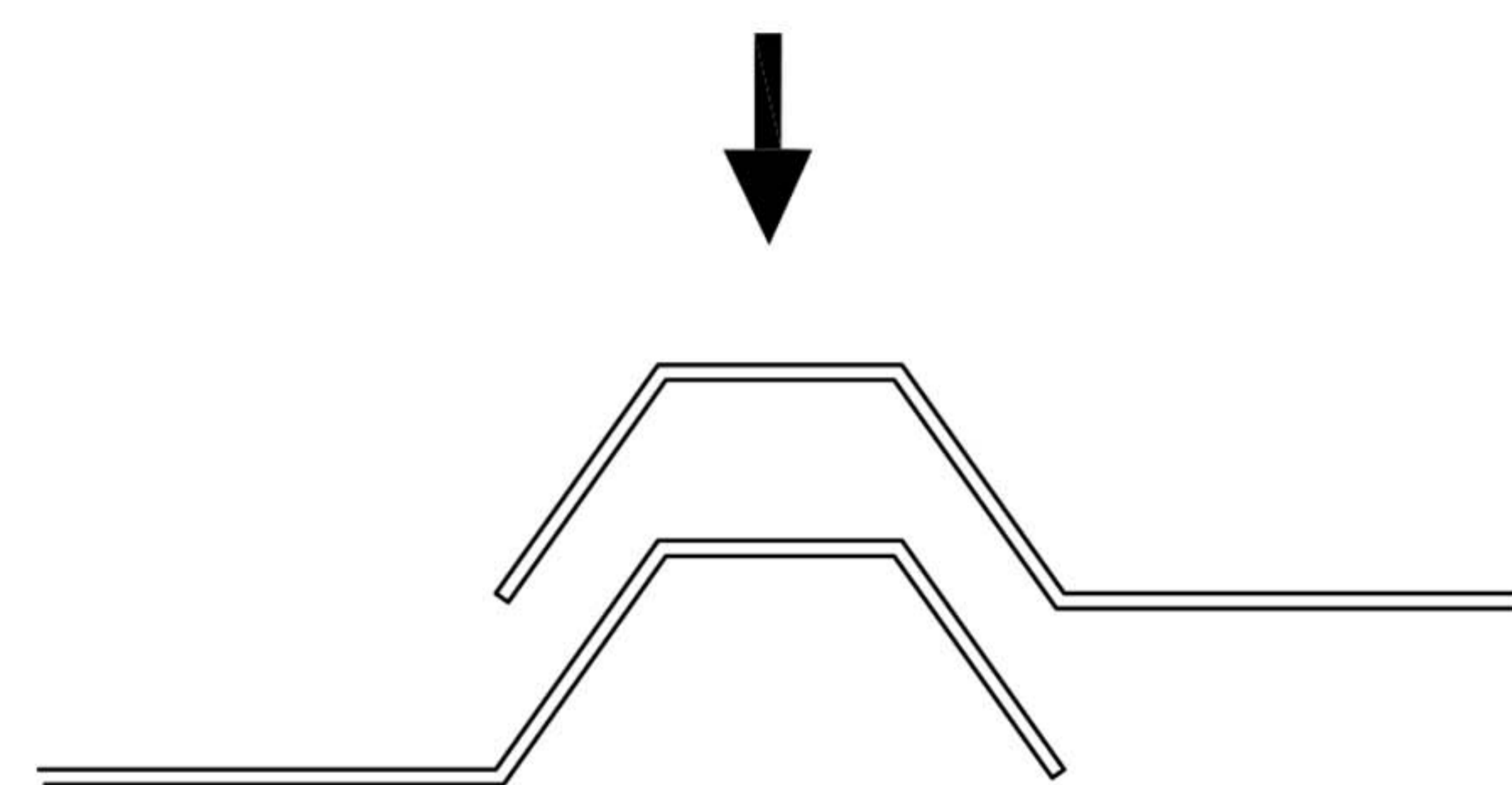
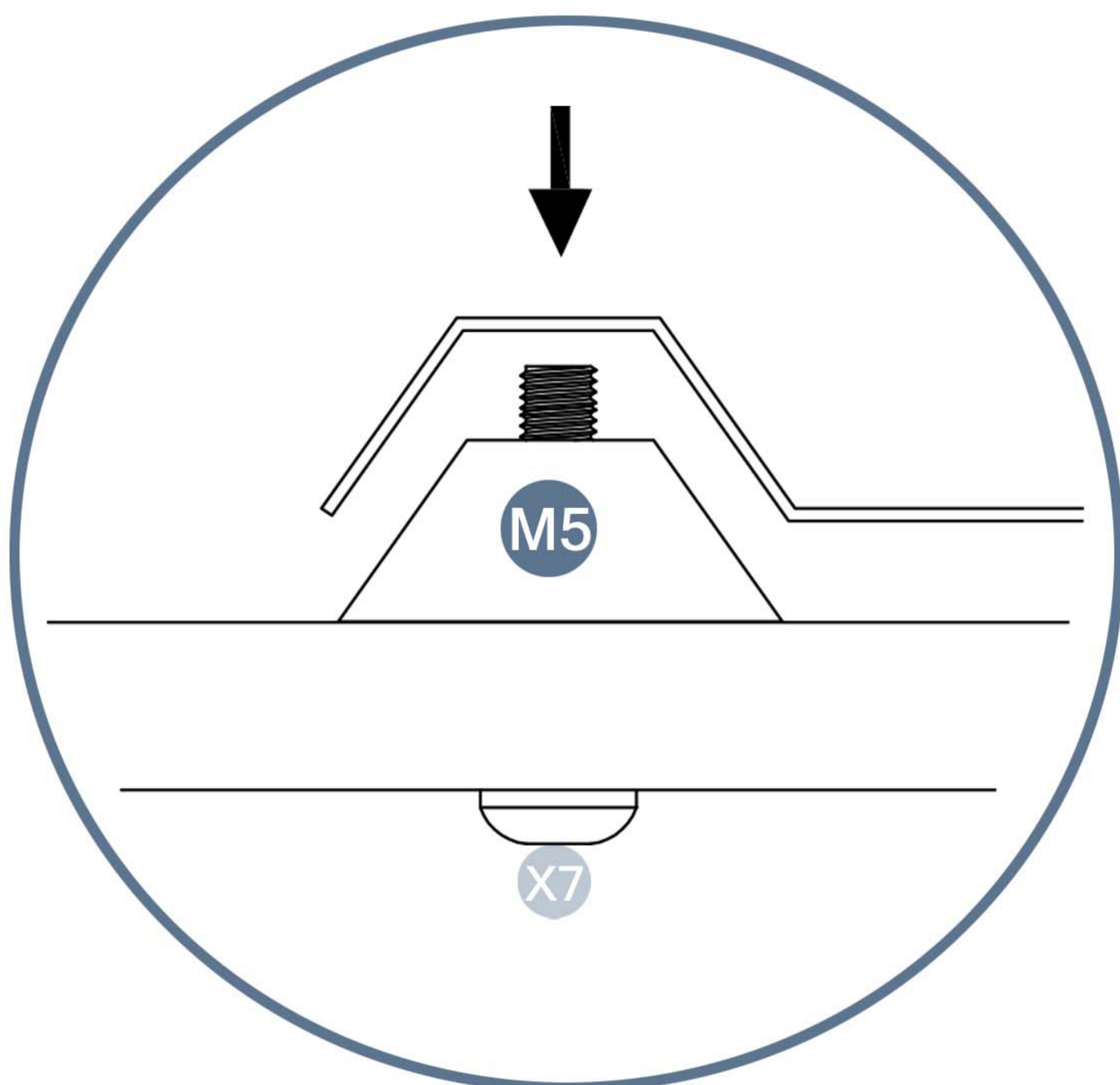
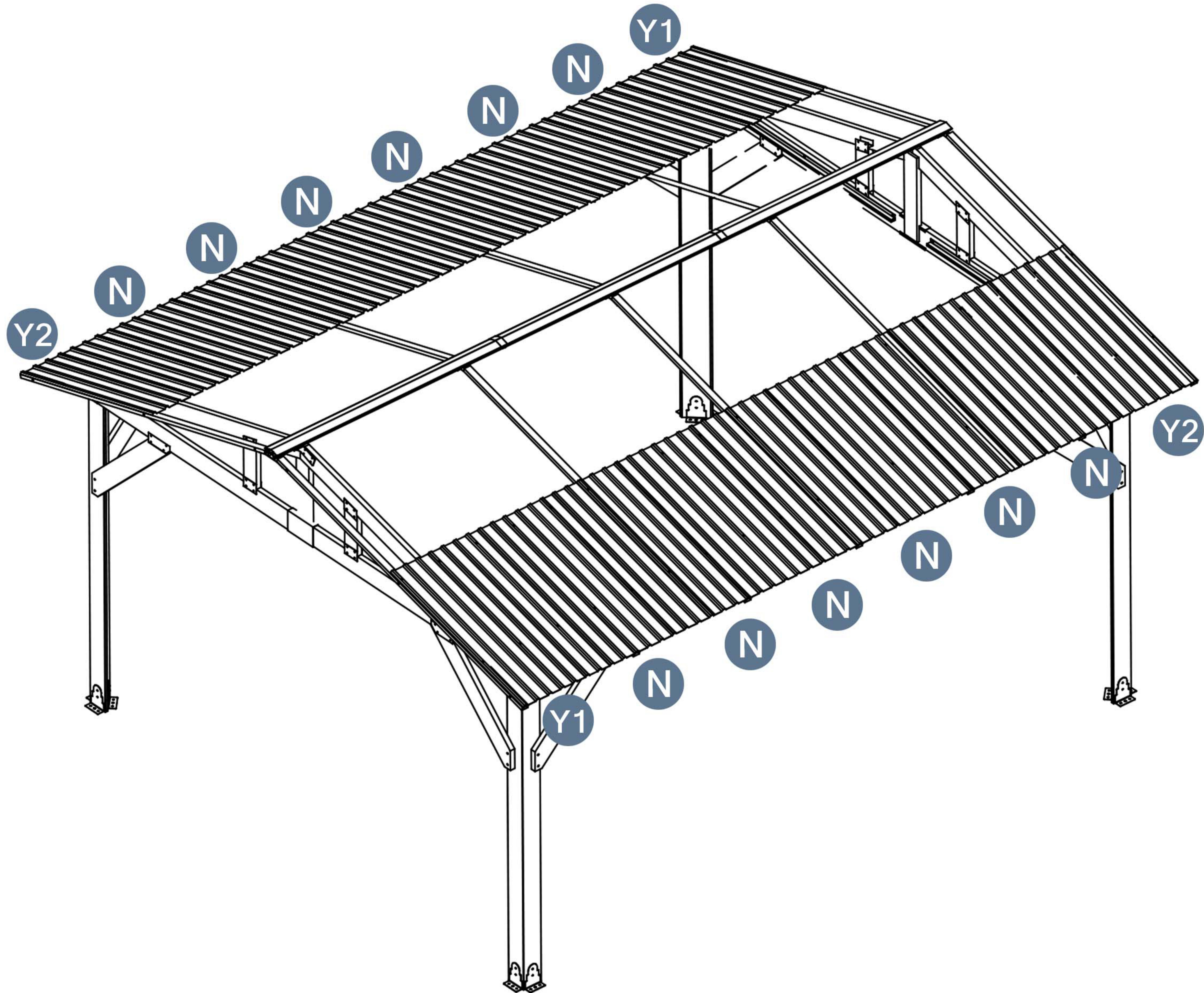


Y2 2pcs

Y1 2pcs

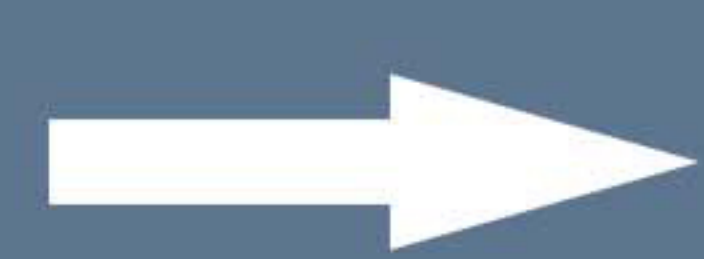


M5 28pcs



• Side view

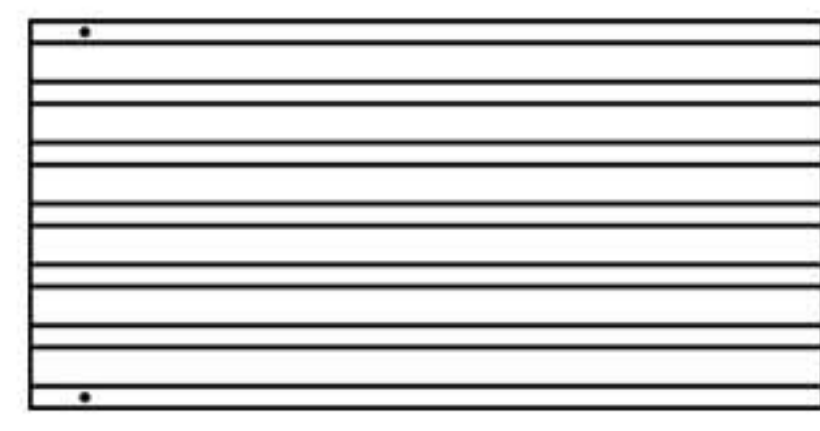
Please take care of the screws and contact the after-sales service if there is any problem with the installation or parts.



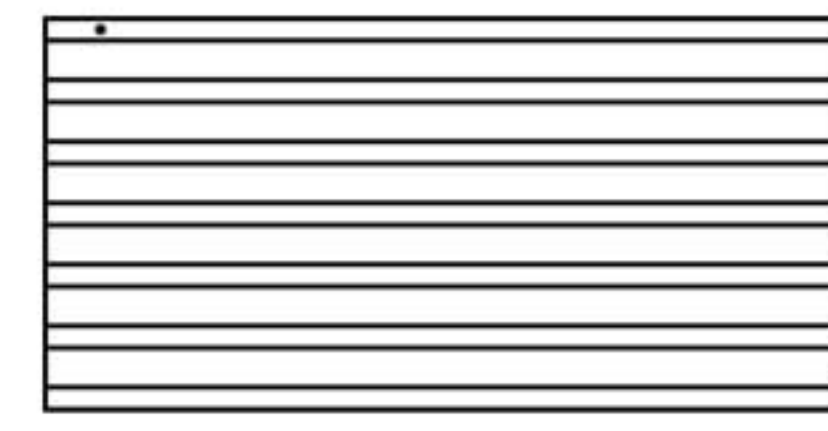
E-mail: [cs.helper01@gmail.com](mailto:cs.helper01@gmail.com)

# STEP 16

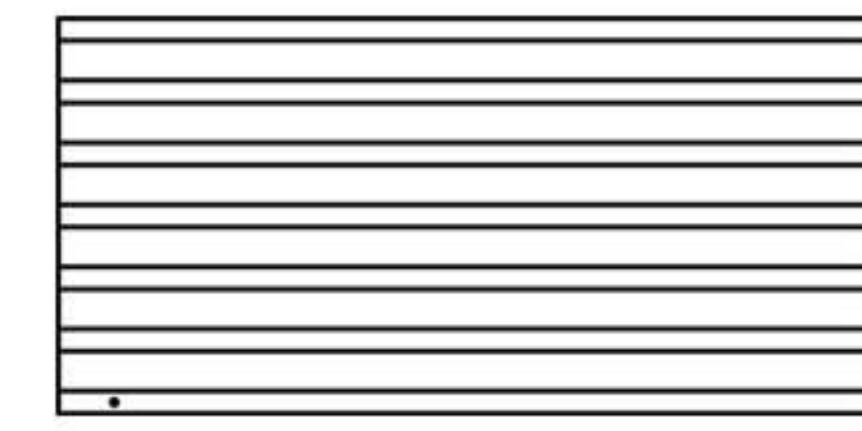
Parts required



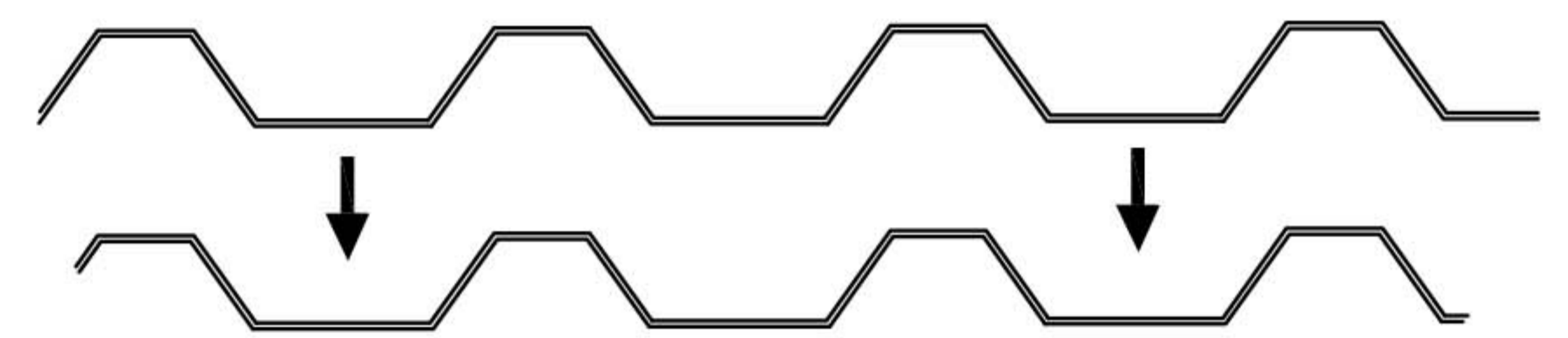
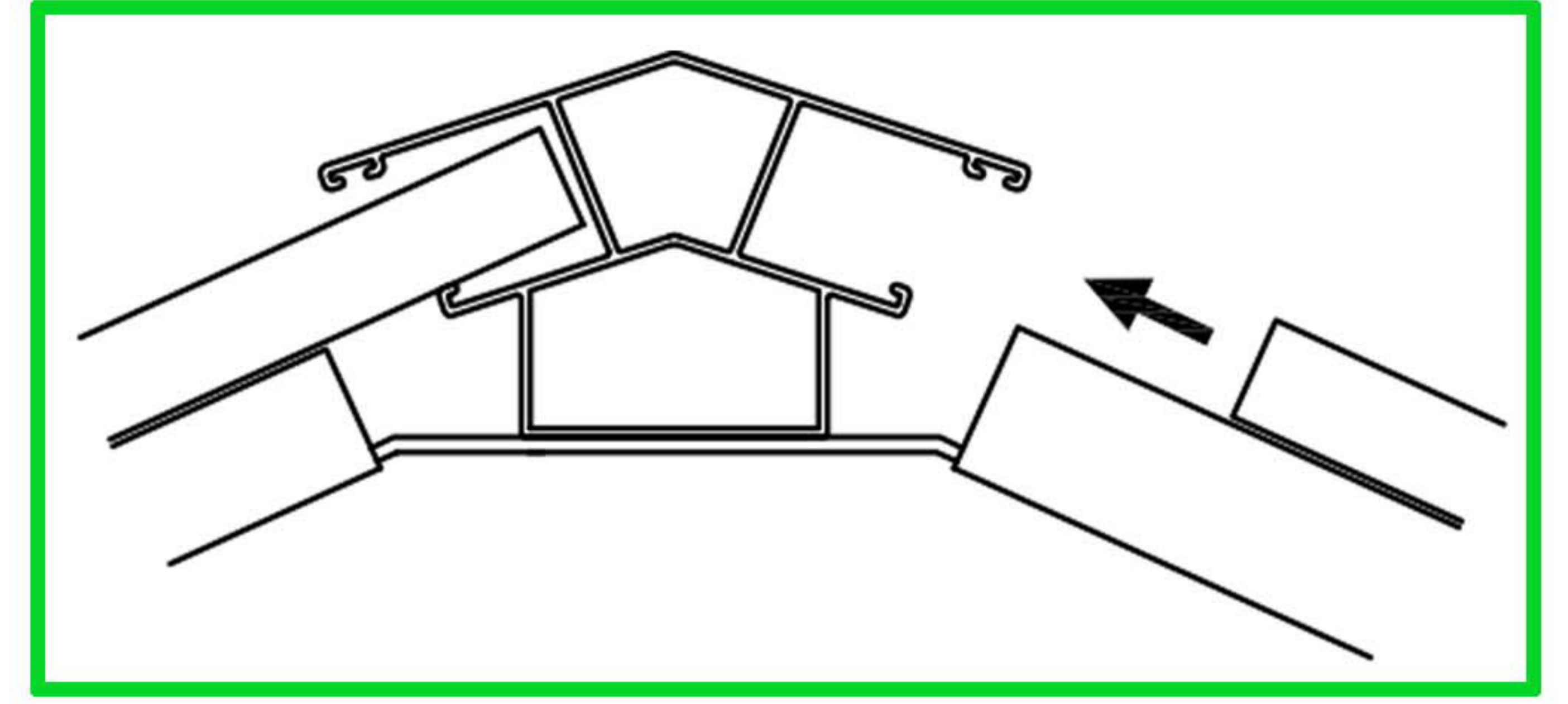
N1 12pcs



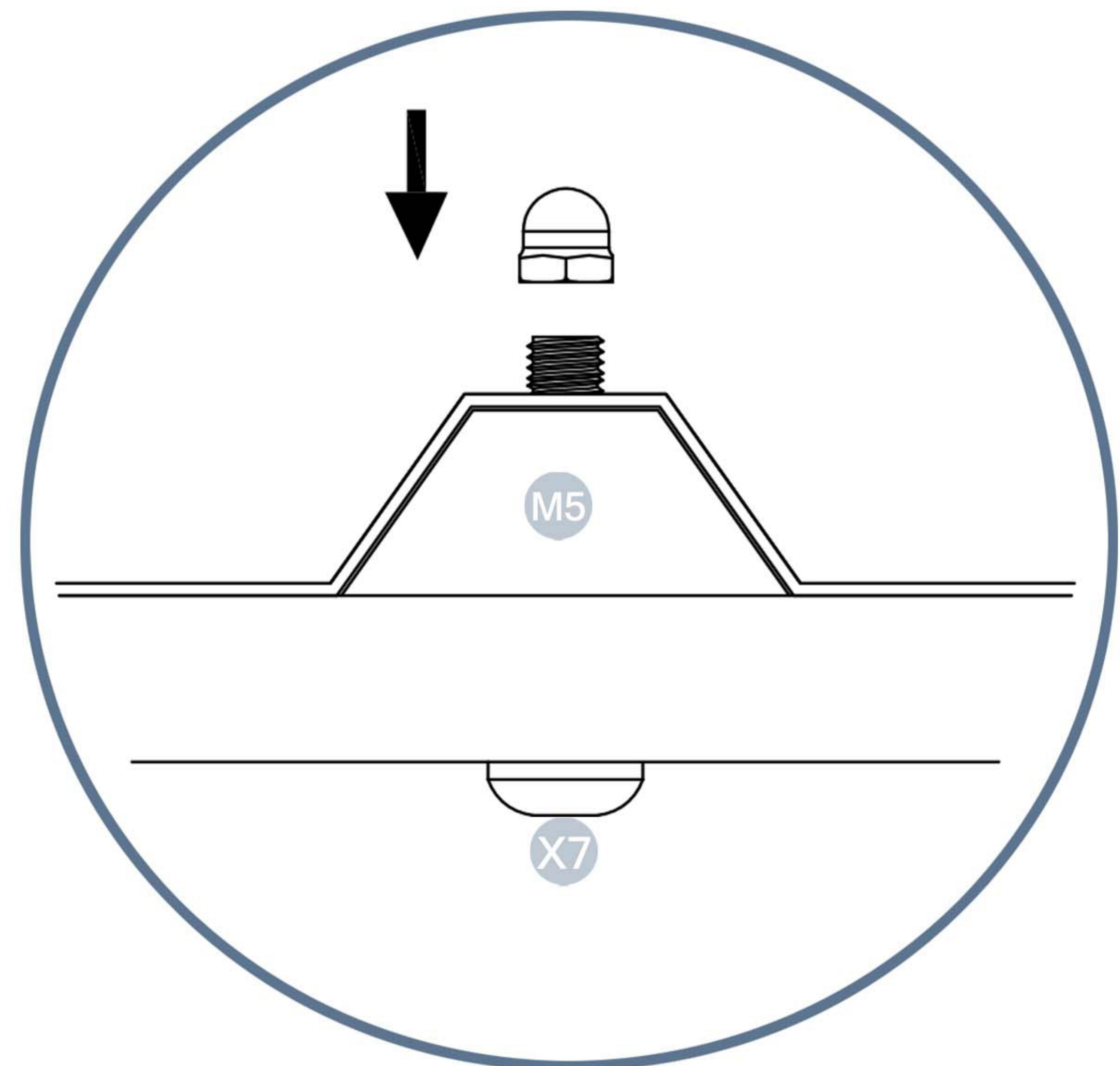
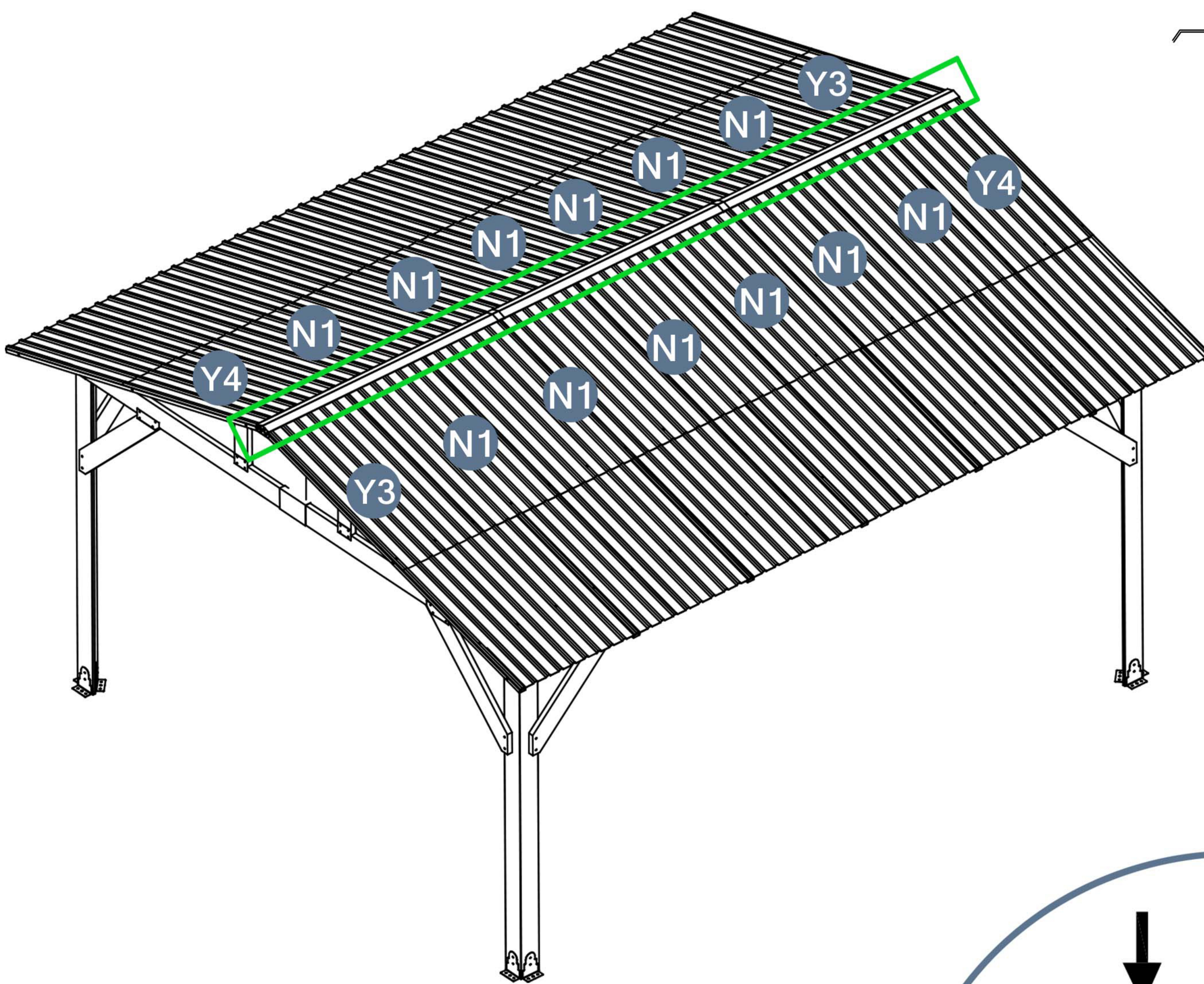
Y3 2pcs



Y4 2pcs



• Side view

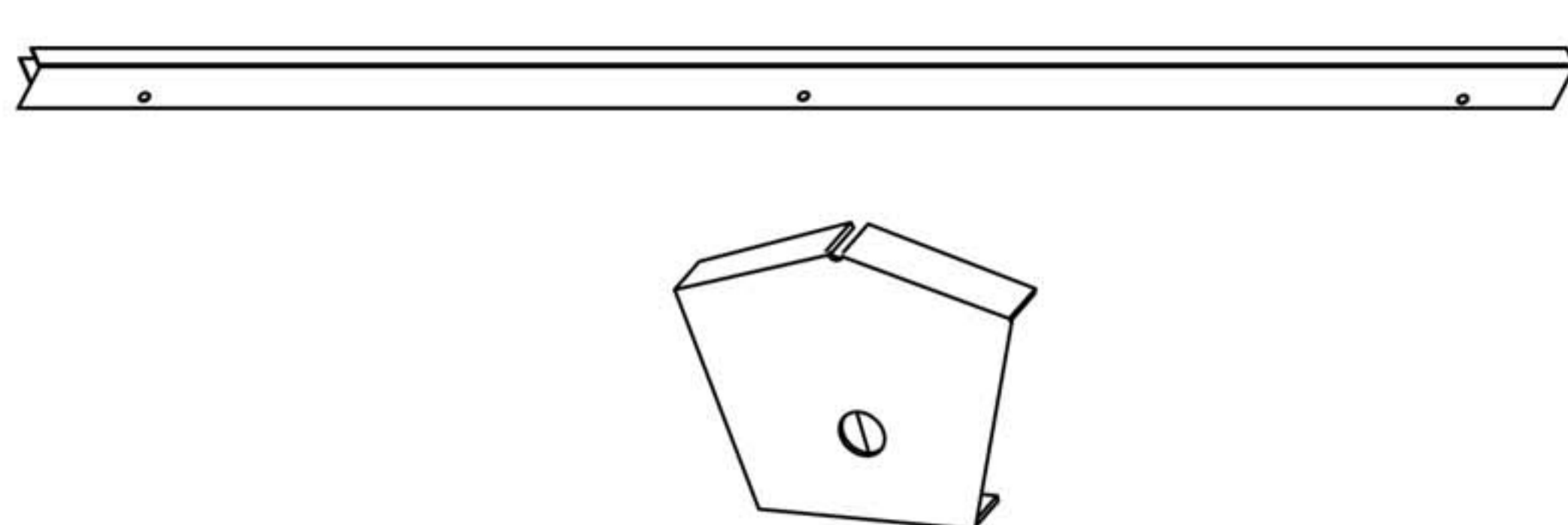


Please take care of the screws and contact the after-sales service if there is any problem with the installation or parts.

➔ ✉ E-mail: [cs.helper01@gmail.com](mailto:cs.helper01@gmail.com)

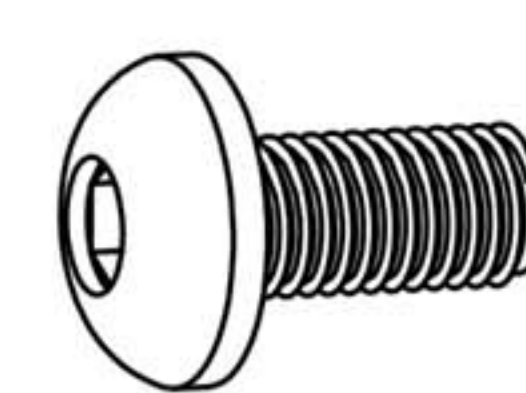
# STEP 17

Parts required

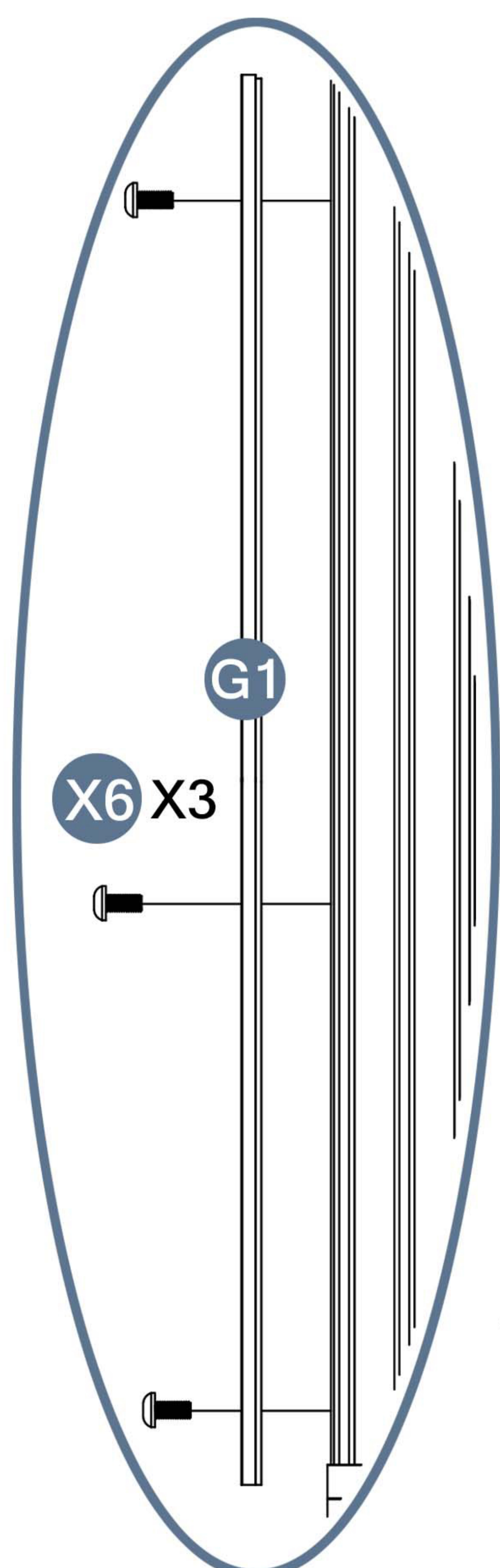
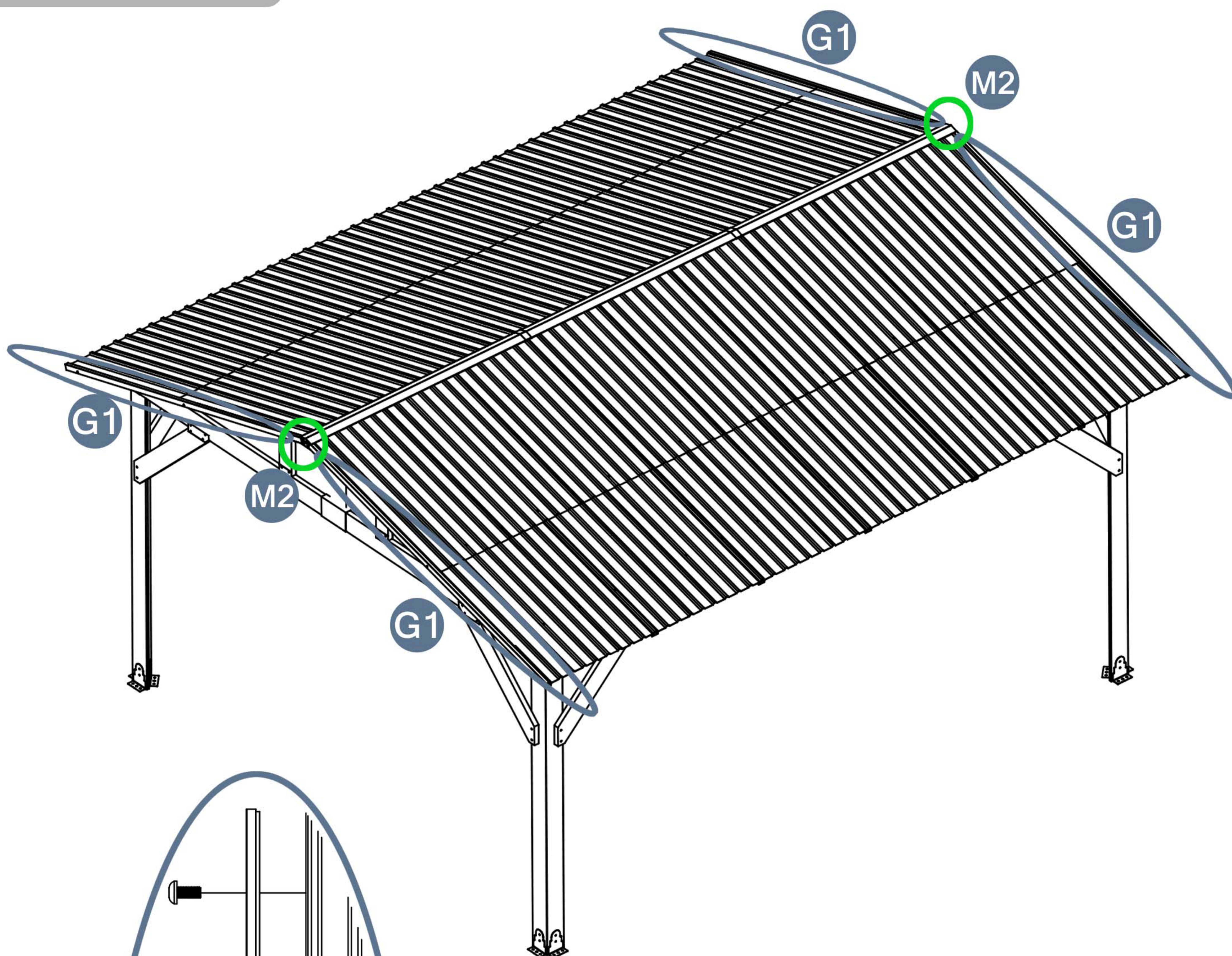
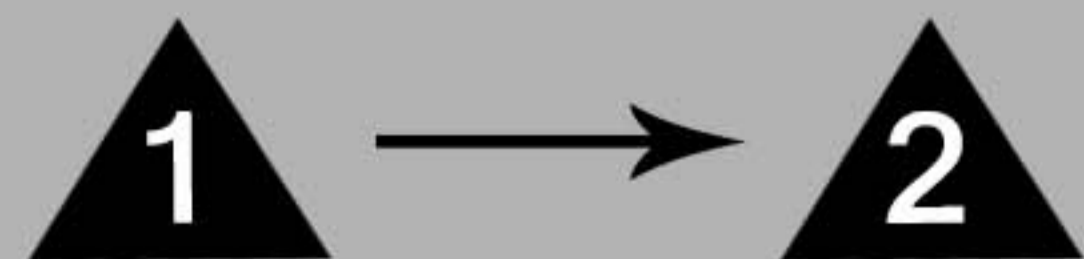


G1 4pcs

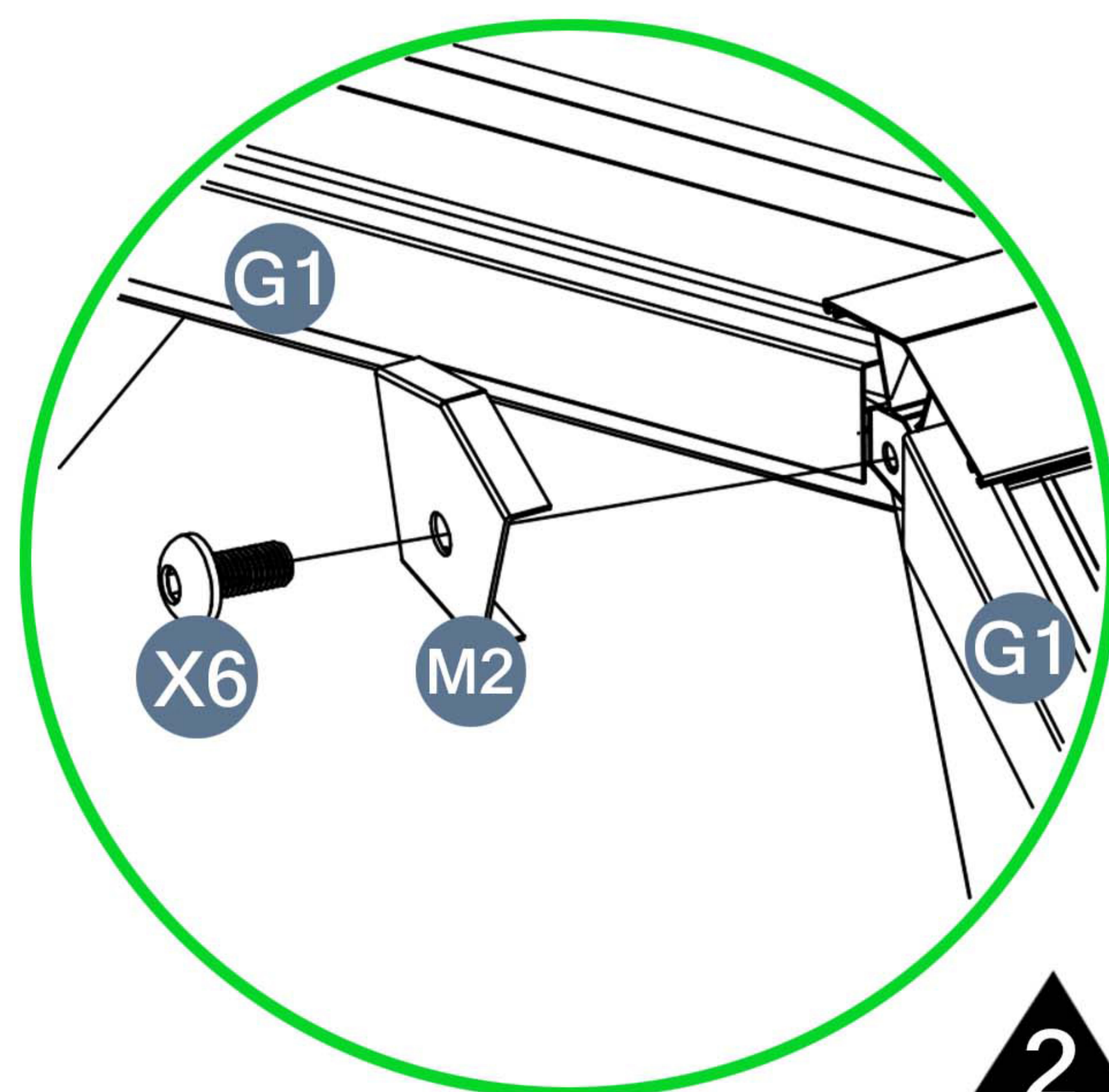
M2 2pcs



X6 14pcs

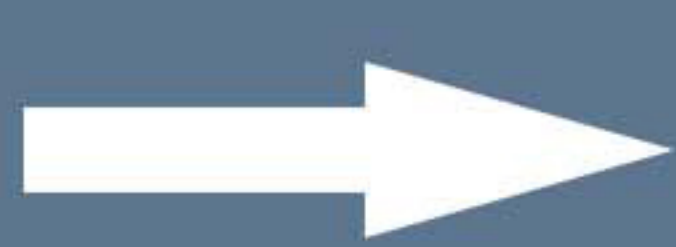


1



2

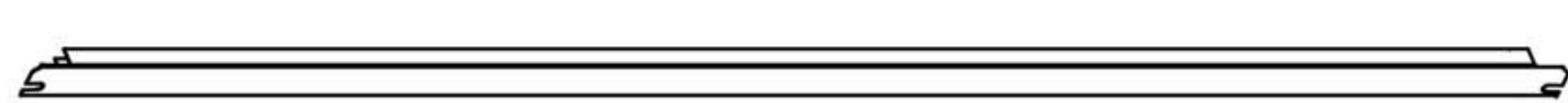
Please take care of the screws and contact the after-sales service if there is any problem with the installation or parts.



E-mail: [cs.helper01@gmail.com](mailto:cs.helper01@gmail.com)

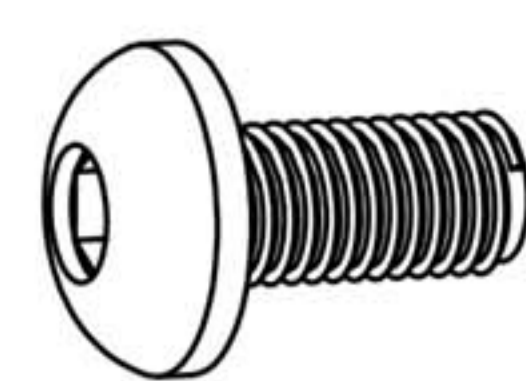
# STEP 18

Parts required

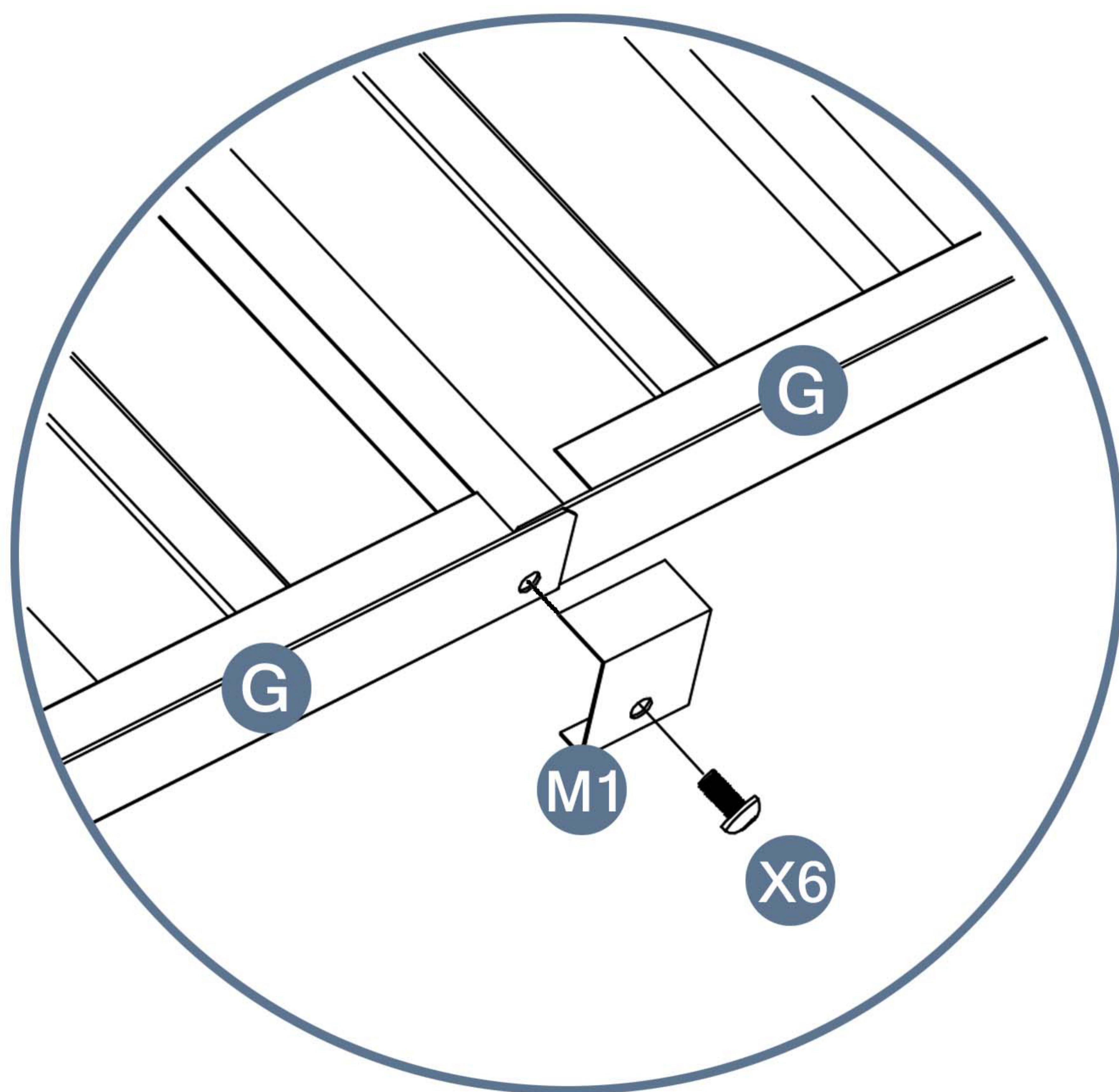
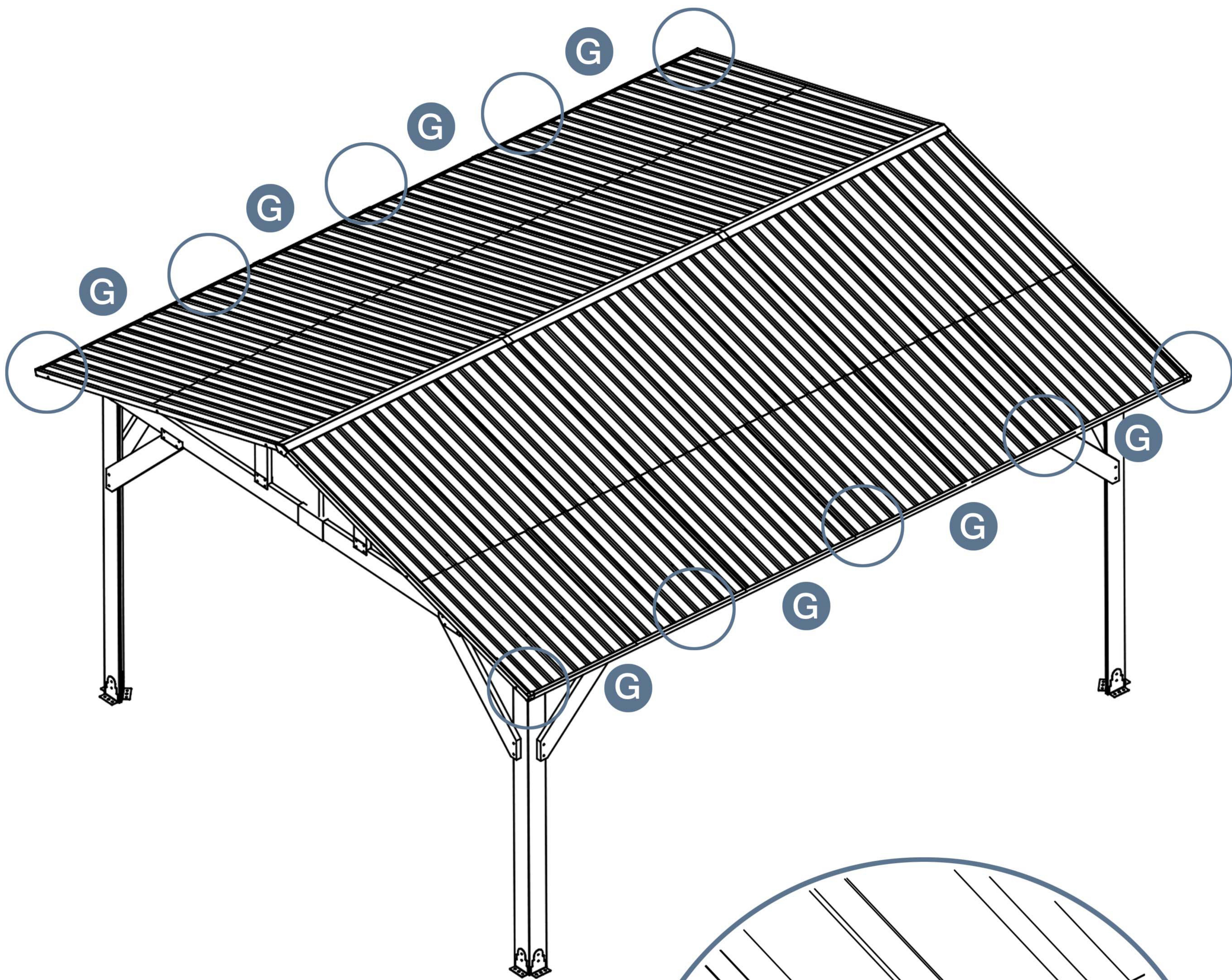


**G** 8pcs

**M1** 10pcs



**X6** 10pcs

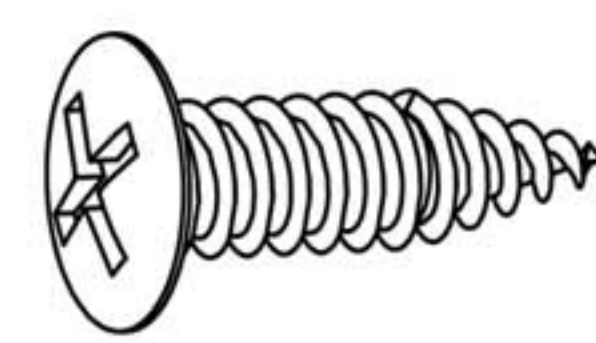


Please take care of the screws and contact the after-sales service if there is any problem with the installation or parts.

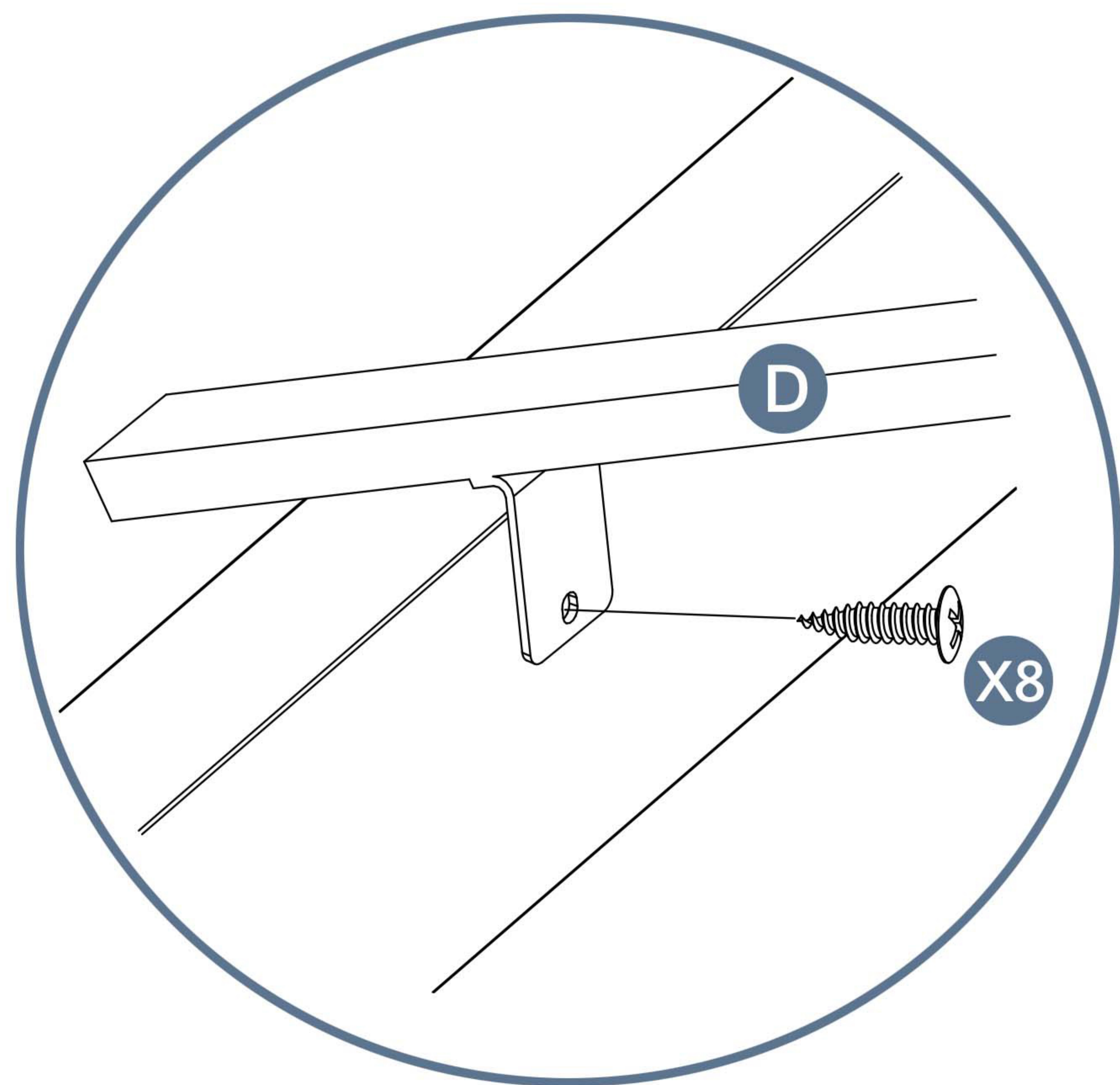
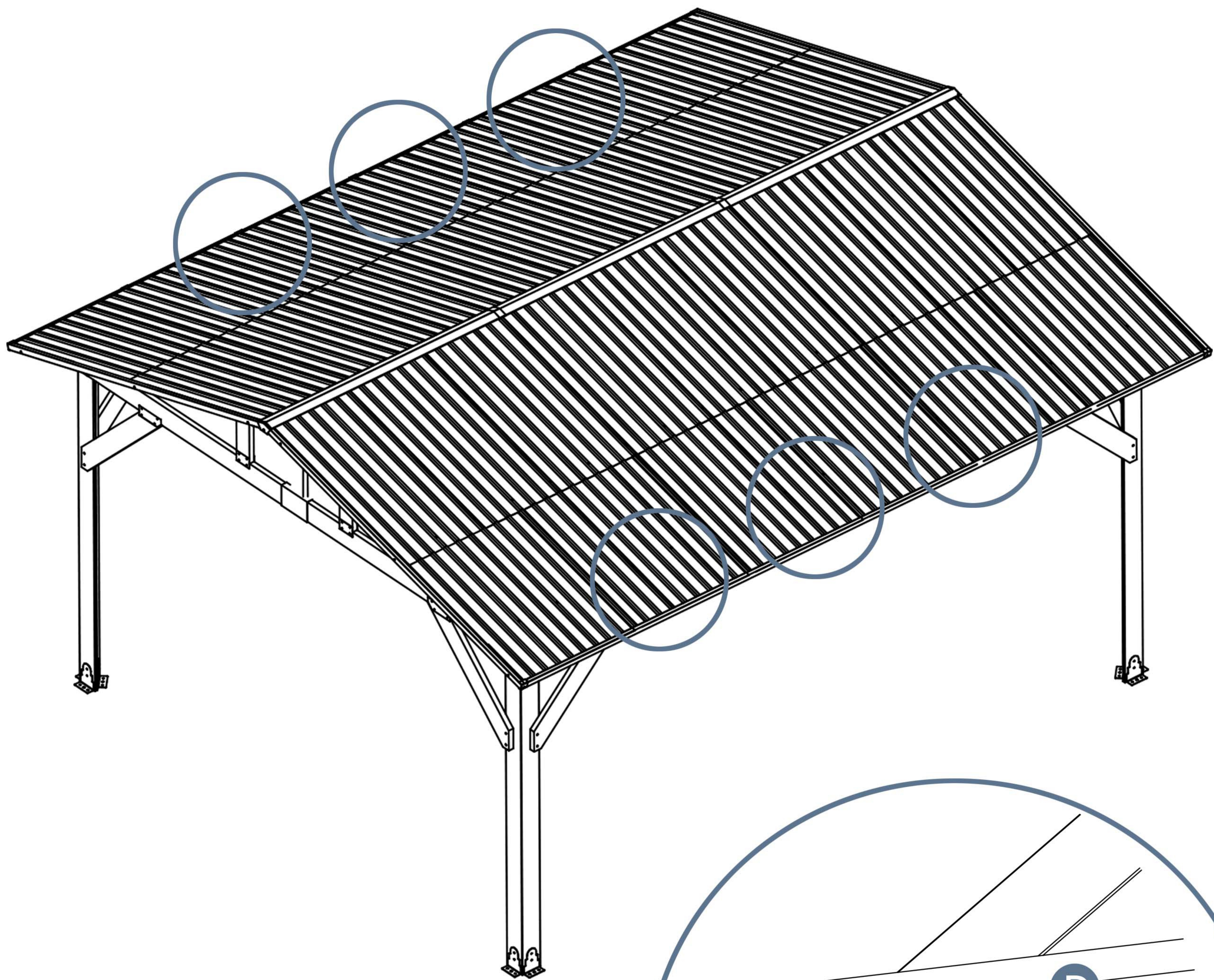
➔ ✉ E-mail: [cs.helper01@gmail.com](mailto:cs.helper01@gmail.com)

# STEP 19

Parts required

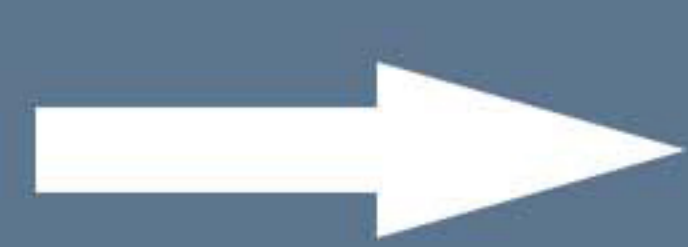


X8 6pcs



● Internal view

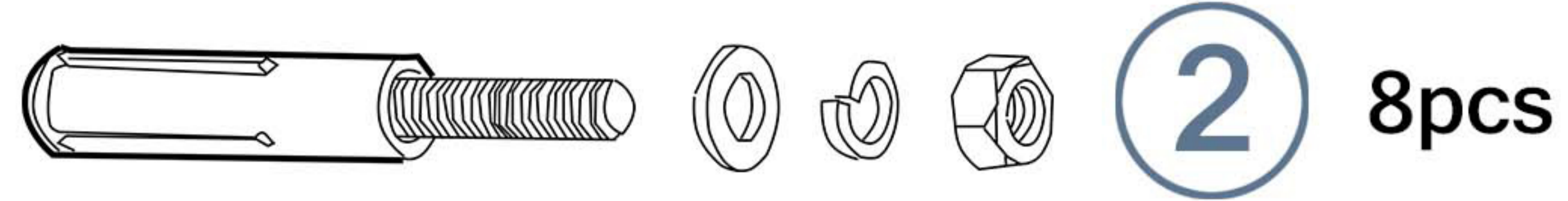
Please take care of the screws and contact the after-sales service if there is any problem with the installation or parts.



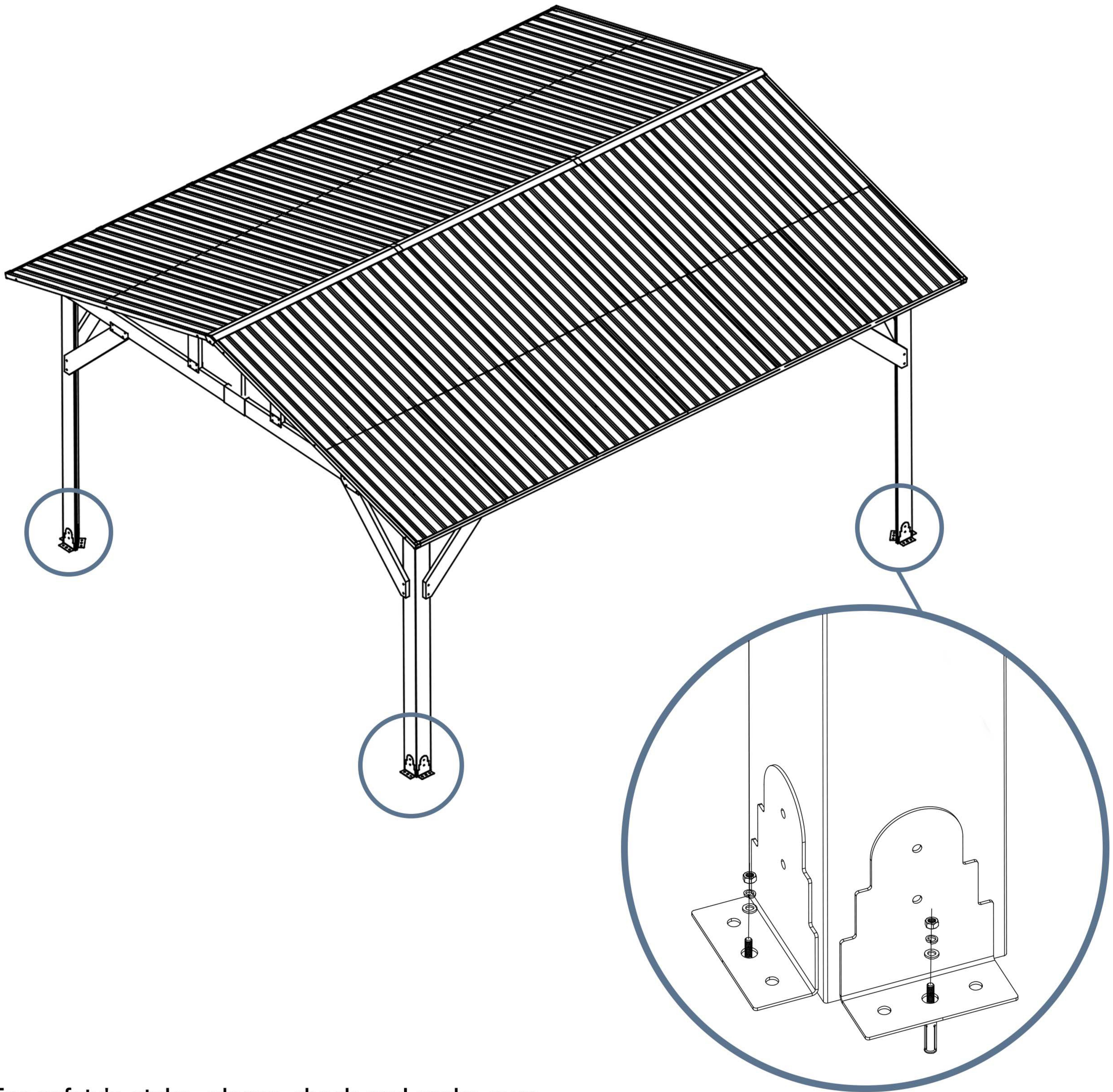
E-mail: [cs.helper01@gmail.com](mailto:cs.helper01@gmail.com)

# STEP 20

Parts required



To improve stability of gazebo, expansion screws very necessary. Expansion screws use for cement surfaces. Expansion screws are included in the package.



!!! For safety's stake, please check and make sure that all screws are tightened after all installation is complete.

## Installation Completed

Please take care of the screws and contact the after-sales service if there is any problem with the installation or parts.

➔ ✉ E-mail: [cs.helper01@gmail.com](mailto:cs.helper01@gmail.com)

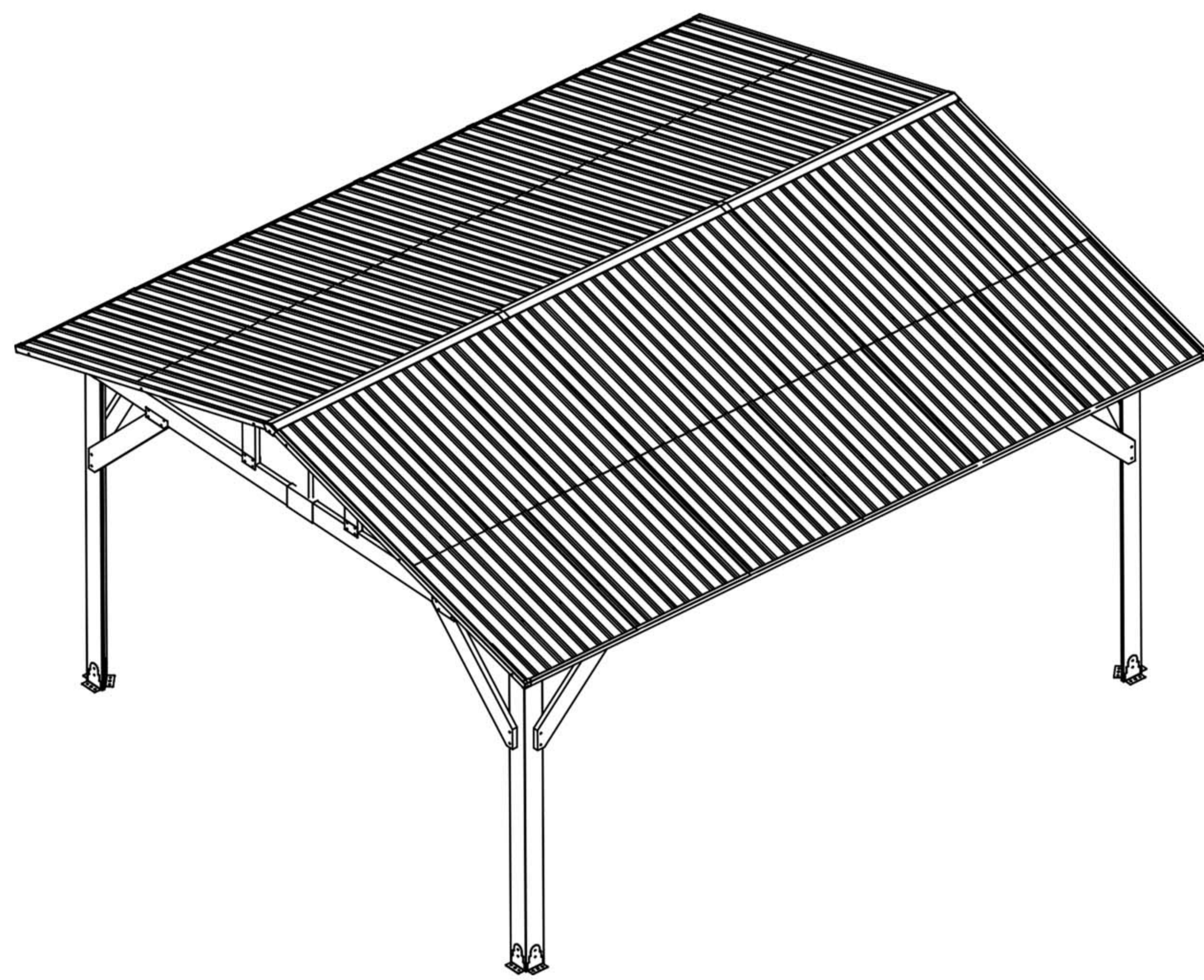
**Hope you enjoy this product.**

If you have any concerns about gazebo Installation, please feel free to contact us. We will reply within 24 hours.



E-mail: [cs.helper01@gmail.com](mailto:cs.helper01@gmail.com)

11X13FT



SKU:C001G043V2-1  
C001G043V2-2  
C001G043V2-3  
C001G043V2-4