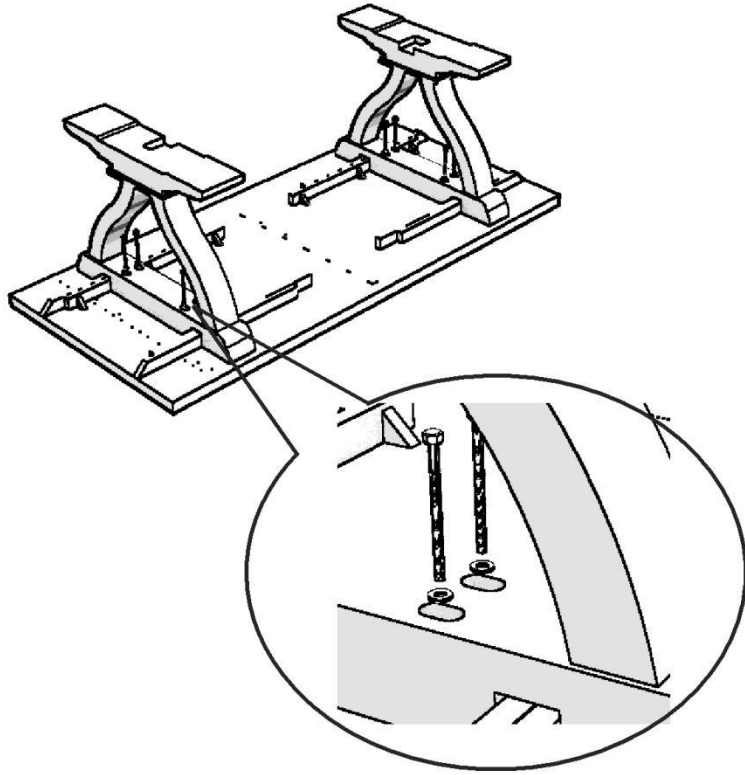
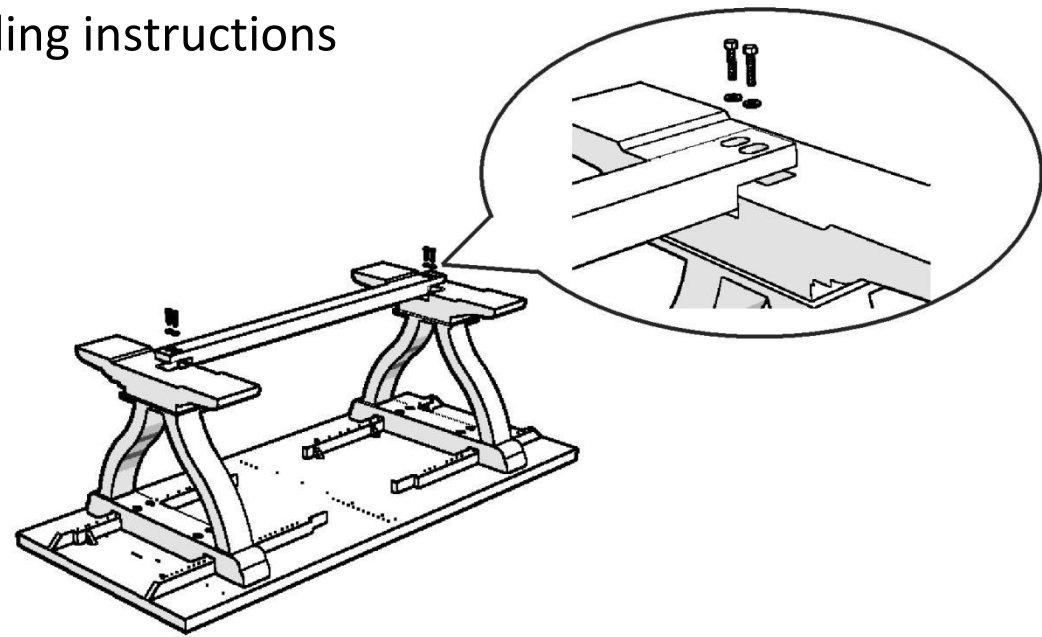


51030296 Dismantling instructions



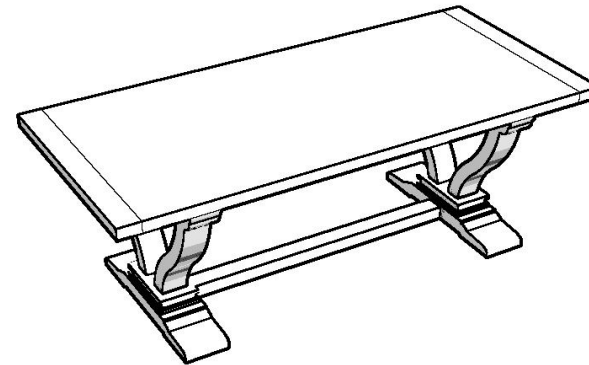
Step 1:

- (1) Lay the top upside down (with embedded nut side up) ;
- (2) Place leg on the top making sure the fixed holes for the embedded nuts meet (as shown above), then tighten and fix the leg with bolts through washers and the fixed holes.



Step 2:

- (1) Align the fixed holes on the connecting crossbars with the fixed leg embedded nuts;
- (2) Tighten and fix the bolts through washers and fixed holes.

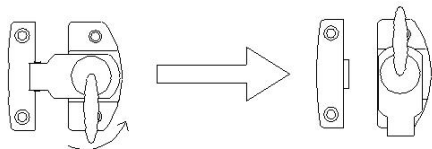


Step 3:

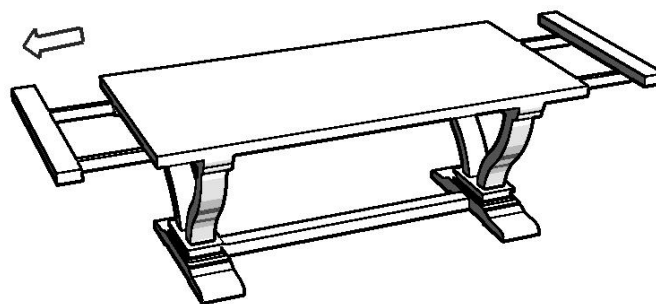
It is now ready to use.

51030296 Dismantling instructions

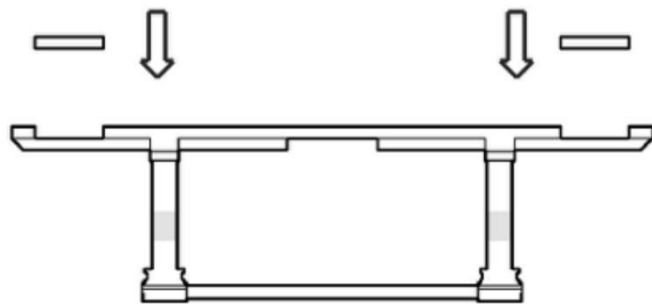
Install extension plates on both sides:



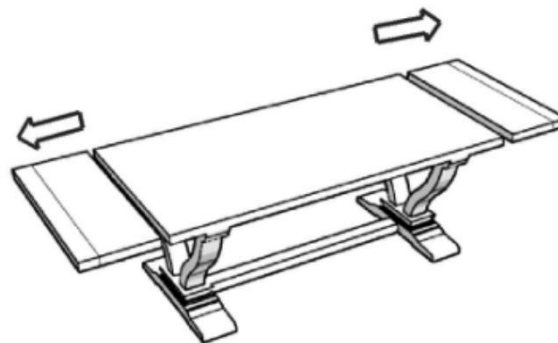
Step 1:
As shown, rotate the lock by 180 degrees counter-clockwise, then open it.



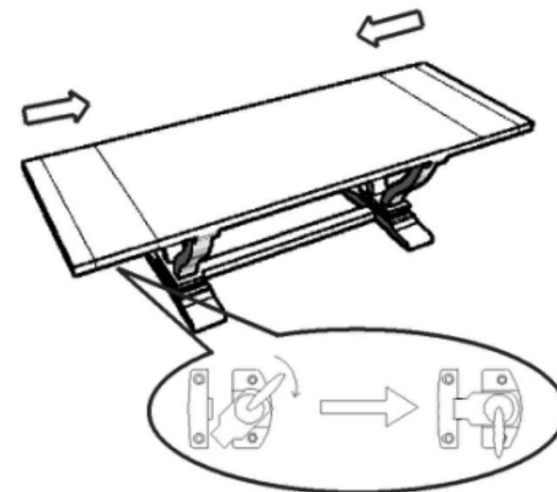
Step 2:
Pull out the movable portion on both sides of the table top to both sides, making sure there is enough space to hold the extension plates.



Step 3:
Put the extension plates into the vacancy as shown above, the side with lock down.



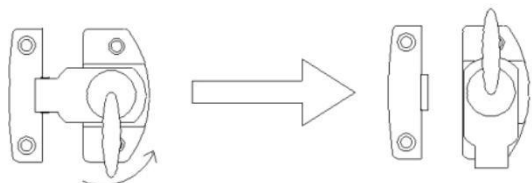
Step 4:
Align the cylinders on the edge of extension plates with the round holes on the edge of top, push to make the extension plates and the top edge joint.



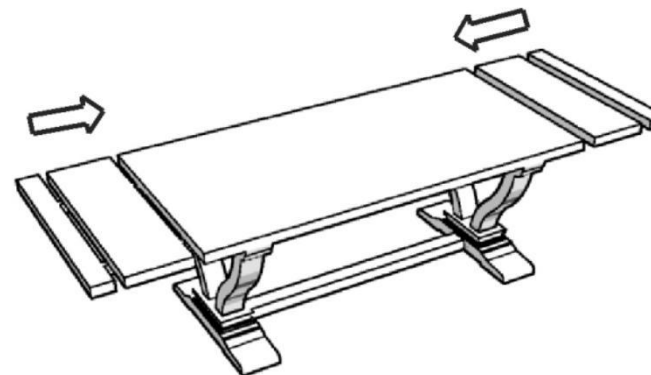
Step 5:
As shown, after the joint of extension plates with inside edge of the top, rotate the lock by 180 degrees counterclockwise, lock up, complete.

51030296 Dismantling instructions

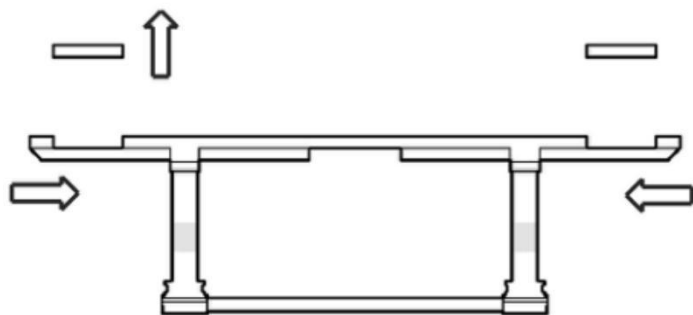
Remove extension plates on both sides:



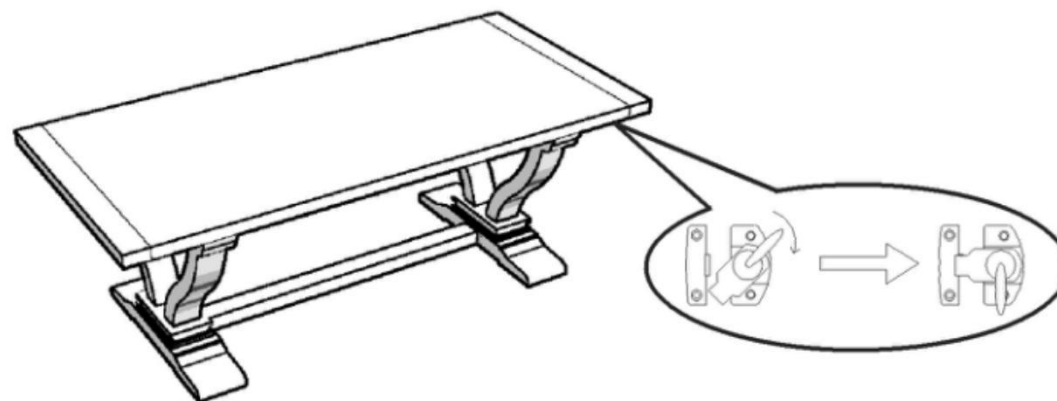
Step 1:
As shown, rotate the lock at the bottom of the top by 180 degrees counterclockwise, open it.



Step 2:
Push the extension plates both sides horizontally to the position as shown above.



Step 3:
Remove the extension plates, and push both sides of the top along the side rails to joint.



Step 4:
As shown, rotate the lock by 180 degrees counterclockwise, lock up, complete.