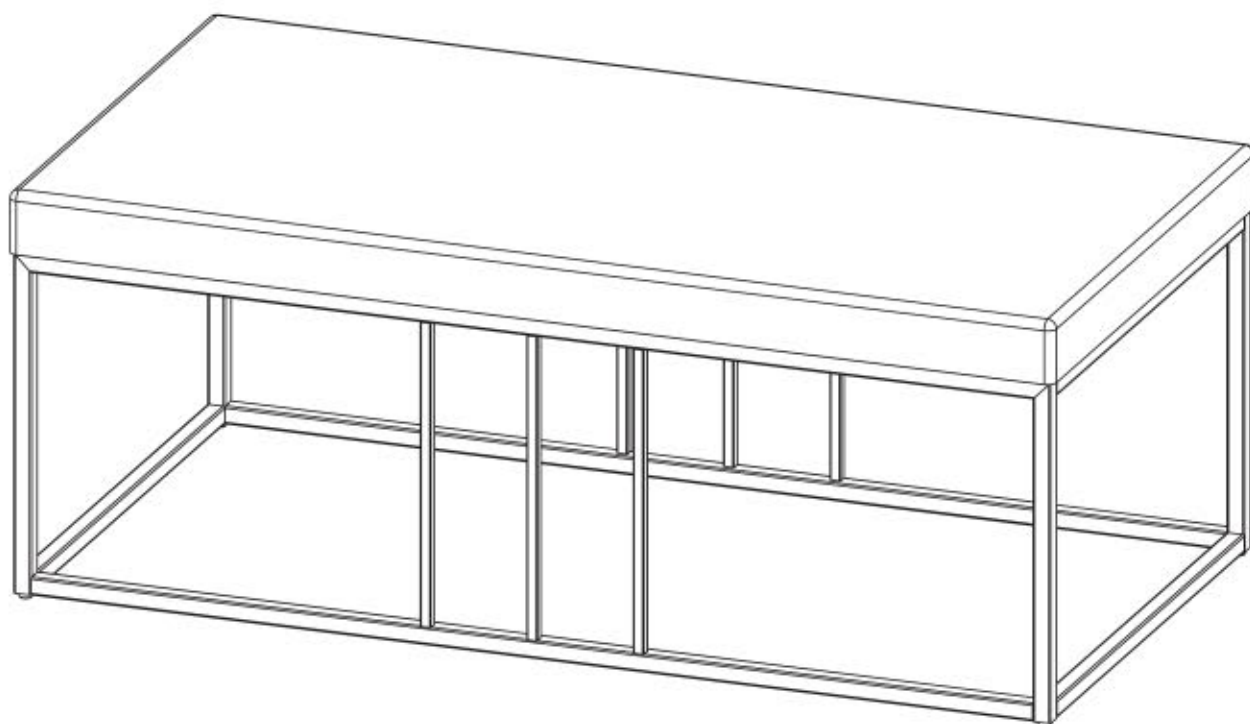
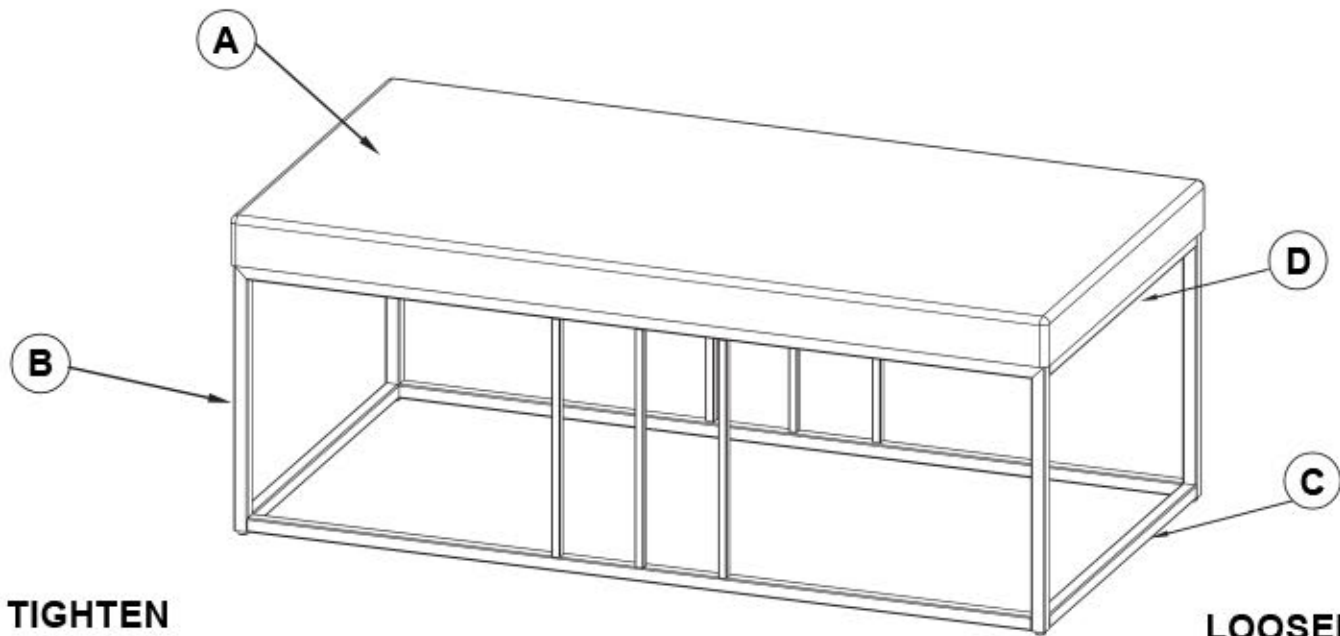


**COFFEE TABLE
ENTRYWAY BENCH**



Weight capacity : 136 Kgs/ 300 Lbs

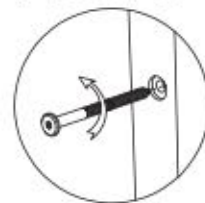




TIGHTEN



LOOSEN



IMPORTANT:

1. Do not tighten bolts / screws completely until all bolts / screws are lined up and inserted into holes.
2. Do not over tighten screws and bolts to avoid stripping.
3. Please use hand tools to assemble this product. Do not use power tools.

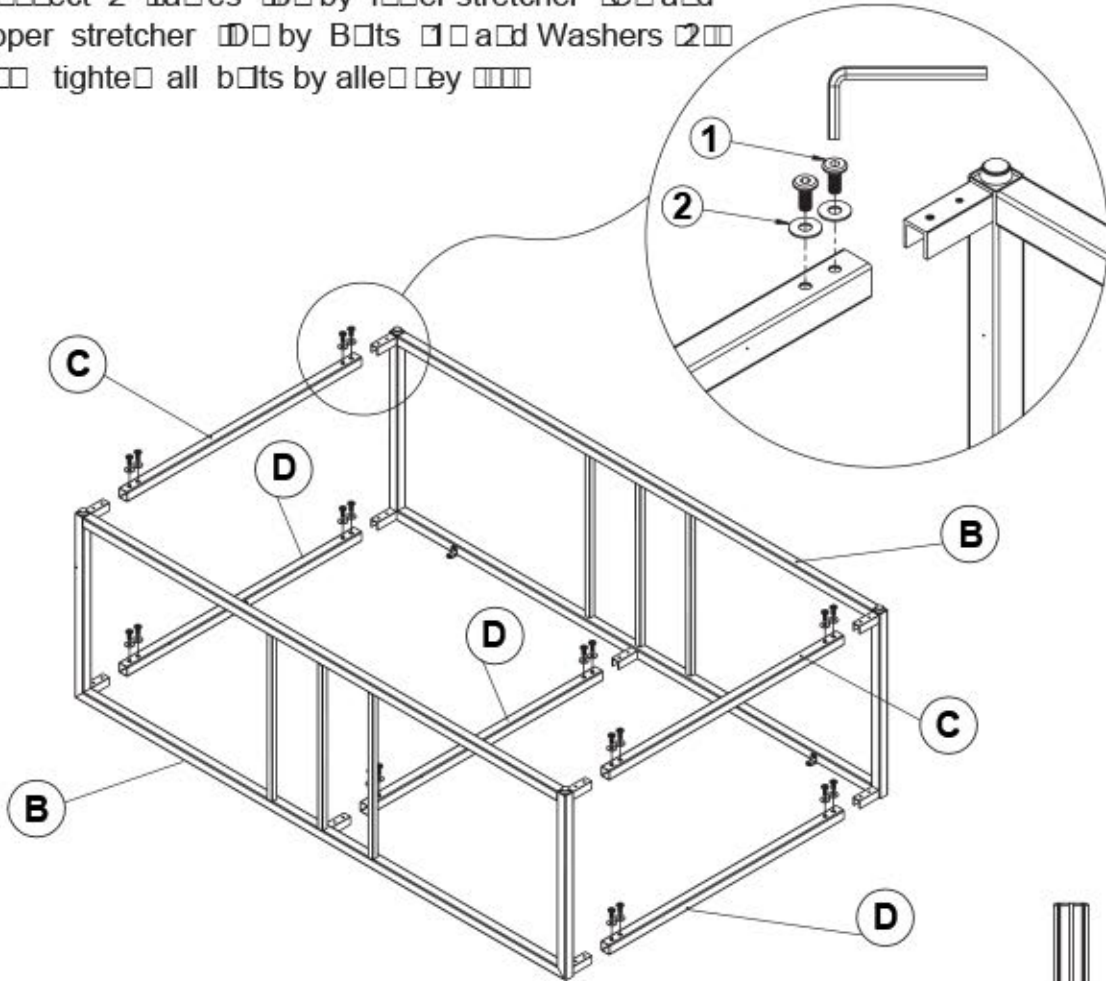
COMPONENTS LIST

A	B	C	D
SEAT PART Q'ty x 1 pce	LEG FRAME Q'ty x 2 pcs	LOWER STRETCHER Q'ty x 2 pcs	UPPER STRETCHER Q'ty x 3 pcs

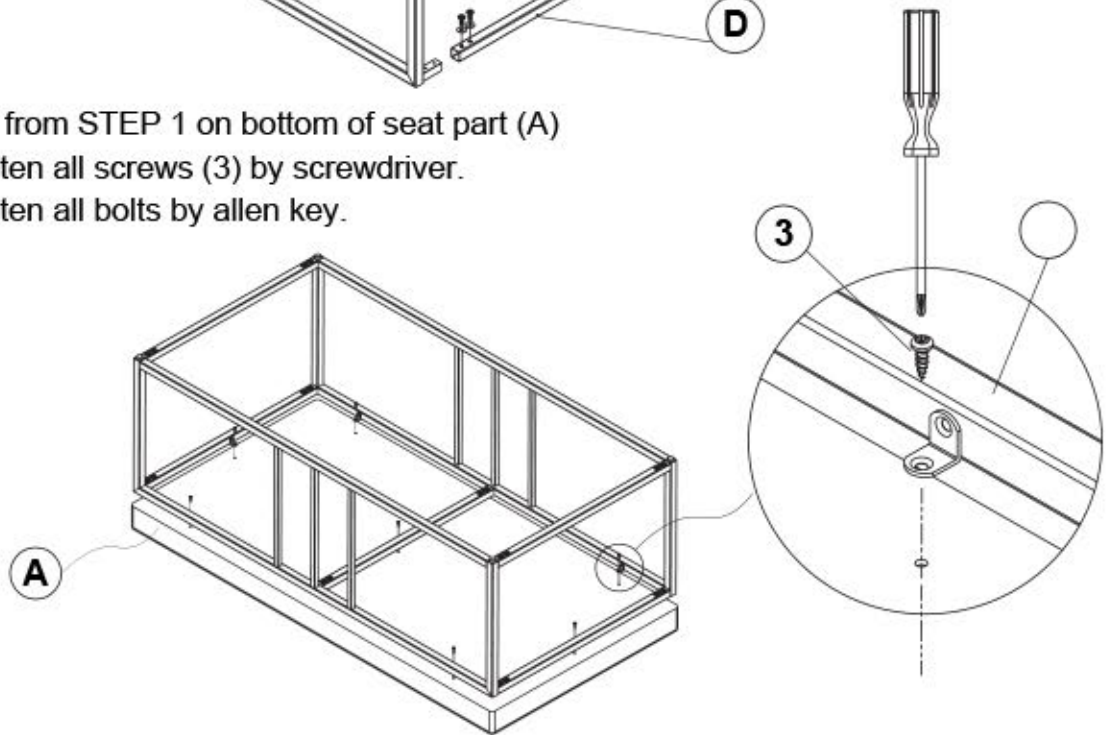
HARDWARE LIST

1		20 pcs	Bolts 1/4" x 14mm	3		7 pcs	Screw 4 x 14mm
2		20 pcs	Washer	4		1 pcs	Allen key
SCREW DRIVER IS REQUIRED FOR ASSEMBLY (NOT INCLUDED)							

STEP 1: Connect 2 frames B by lower stretcher C and upper stretcher D by Bolts and Washers. Tighten all bolts by allen key.



STEP 2: Put frame from STEP 1 on bottom of seat part (A). 100% tighten all screws (3) by screwdriver. 100% tighten all bolts by allen key.



STEP 3: Flip it over and it's your coffee table and could be as a beautiful bench in a courtyard.

