



ASSEMBLY INSTRUCTIONS
UltraHD® Storage Cabinet
(Model No. 20234, WEB519, 20164)

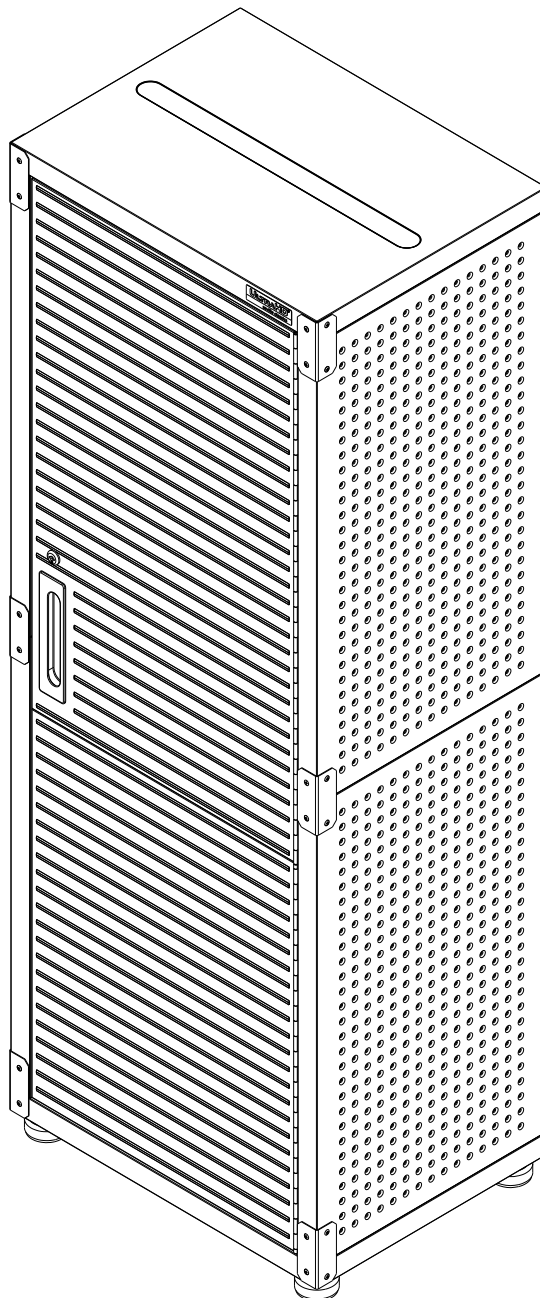
Granite Graphite

24in. W X 18in. D X 66in. H
(60.96 cm x 45.72 cm x 1.68 m)

ULTRAGUARD®

FINGERPRINT RESISTANT SURFACES
AND INCREASED DURABILITY

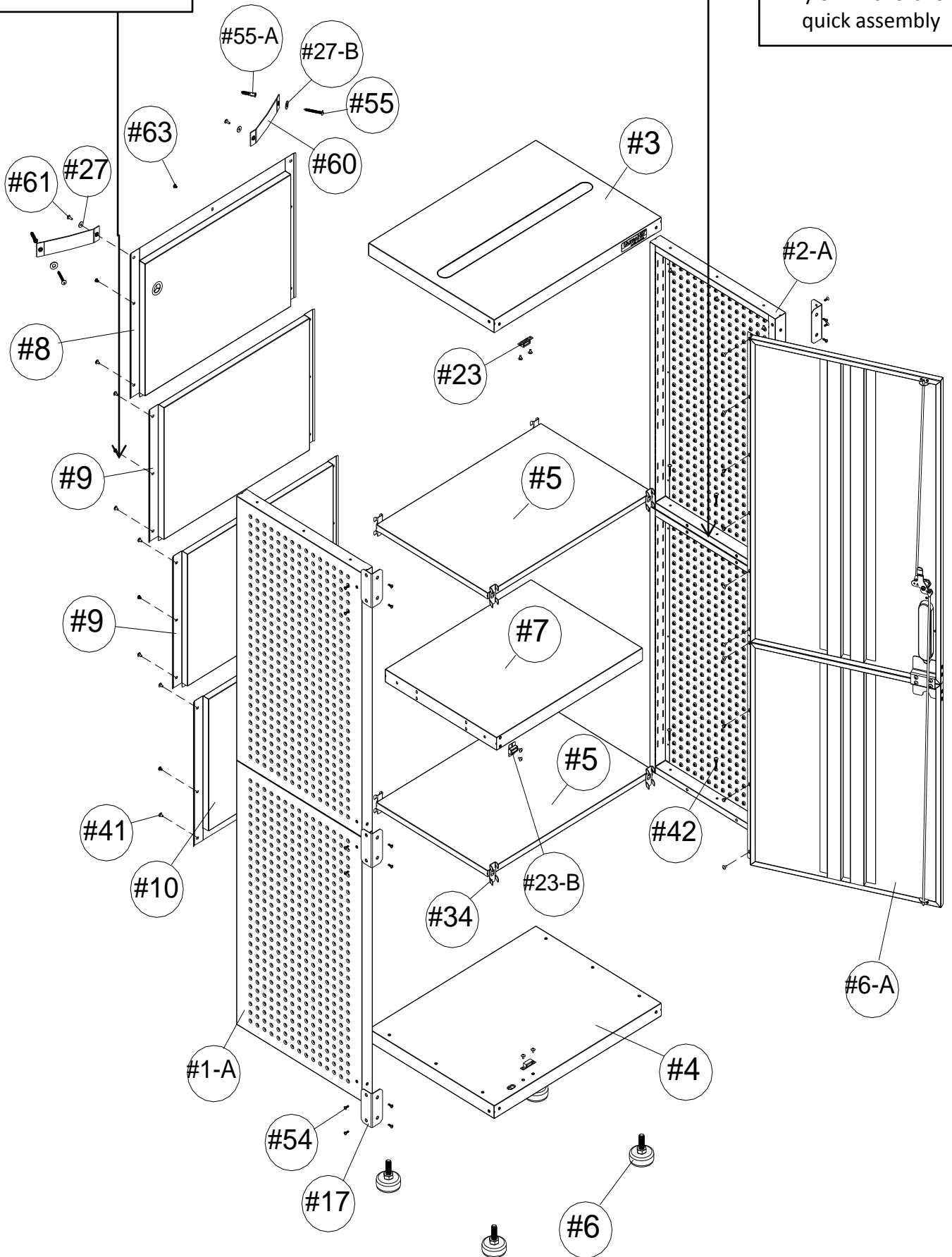
Reference page 13 for special care
and maintenance of stainless steel



**Includes Engineered
Nylon Anchors for quick
assembly**

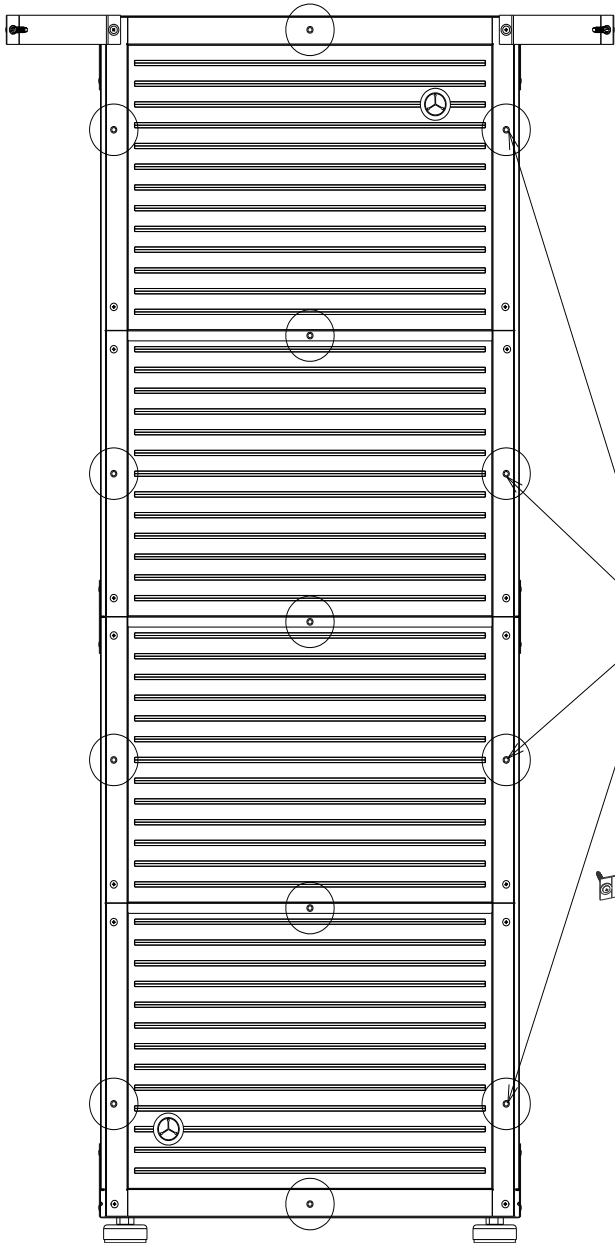
Includes Engineered
Nylon Anchors for
quick assembly

Includes Engineered
Nylon Anchors for
quick assembly

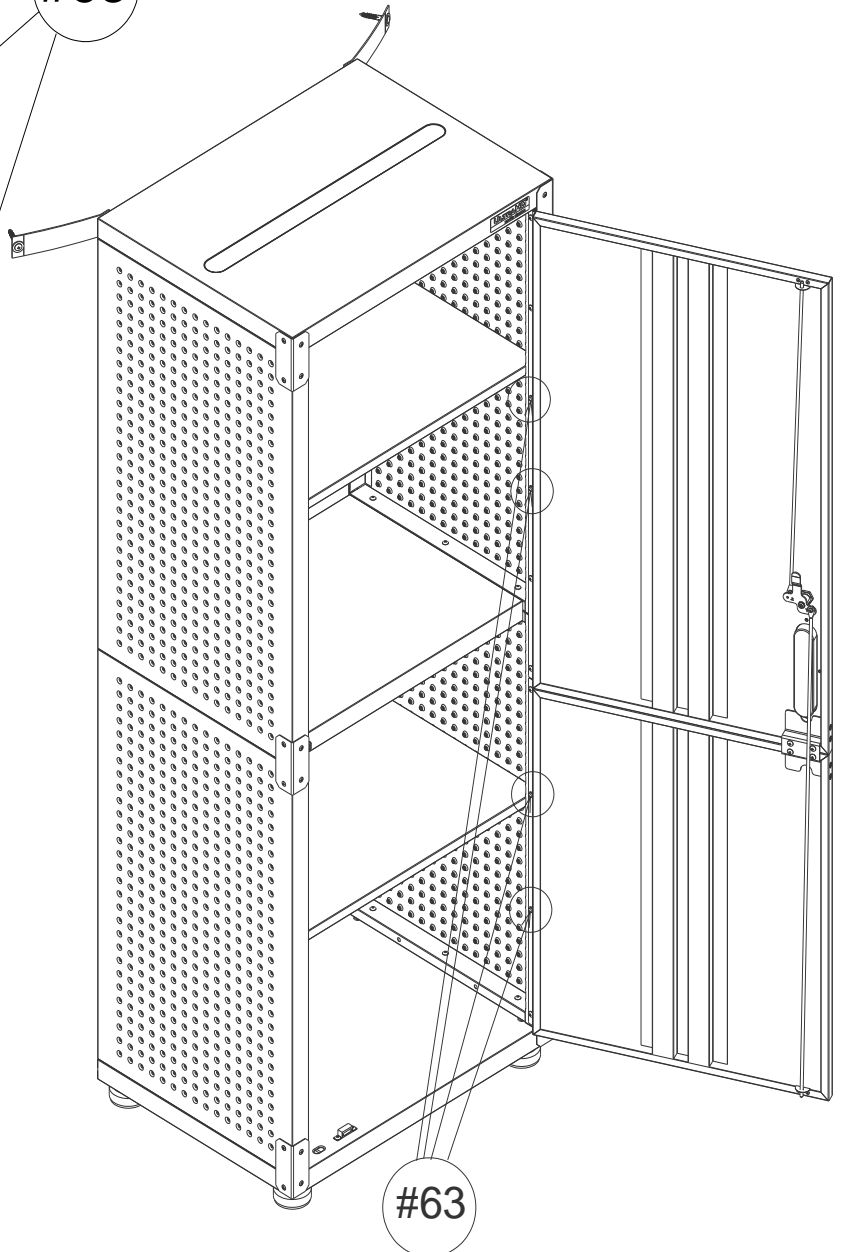


"Quick assembly"

Includes Engineered
Nylon Anchors for
quick assembly

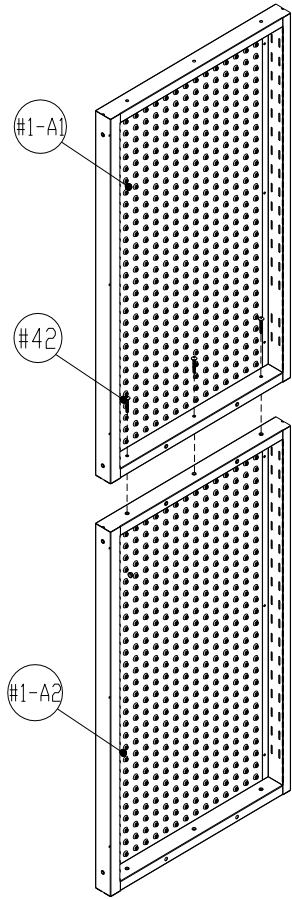


#63

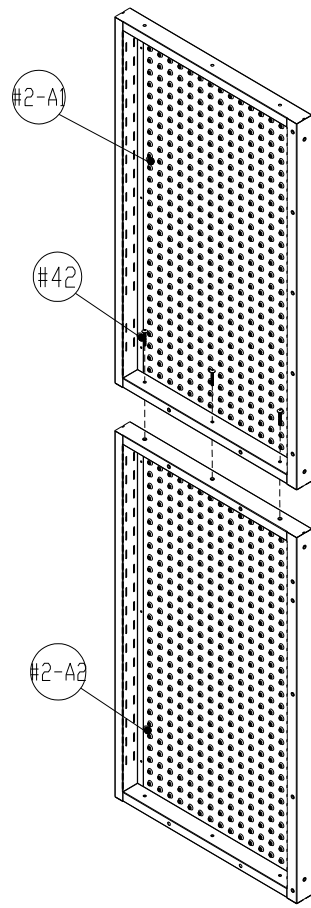


#63

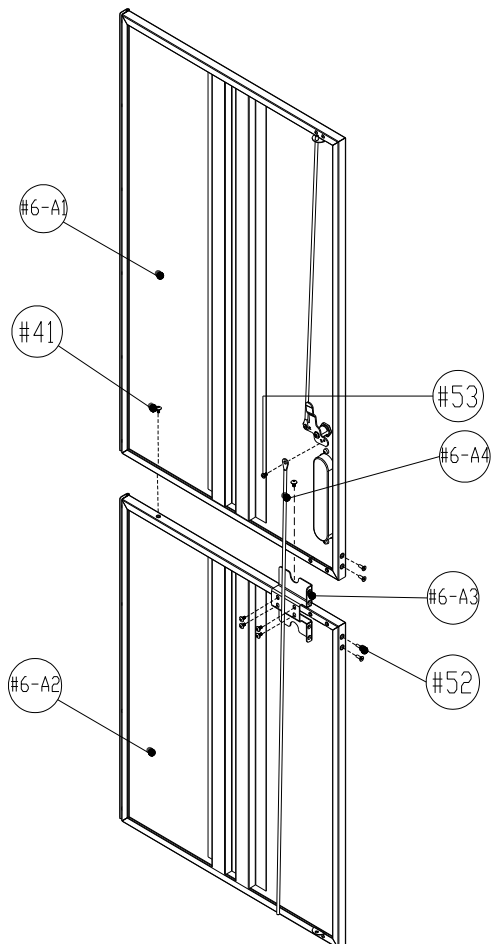
(#1-A) Left Panel



(#2-A) Right Panel

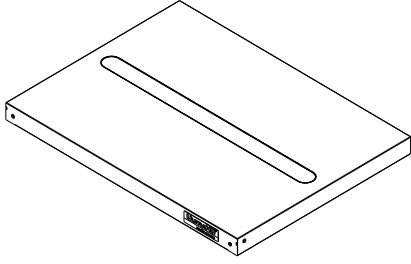


(#6-A) Door

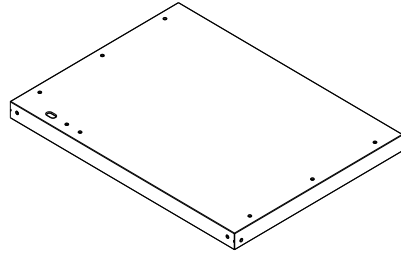


PARTS LIST

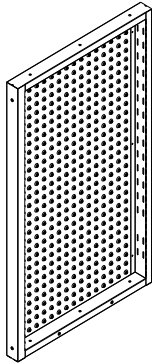
Please check the parts carefully according to the parts list. If you are missing any parts, please call our service department. (Please refer to page 14).



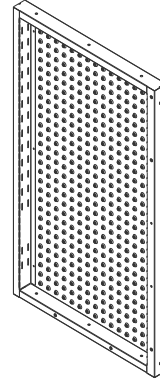
(#3) Top Panel x 1PC



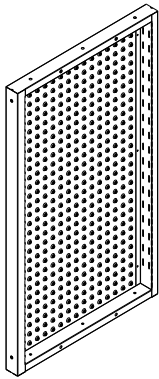
(#4) Bottom Panel x 1PC



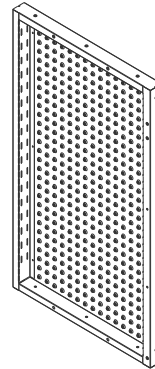
(#1-A1) Left Side - Upper Panel x 1PC



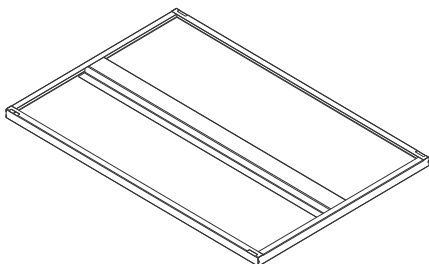
(#2-A1) Right Side - Upper Panel x 1PC



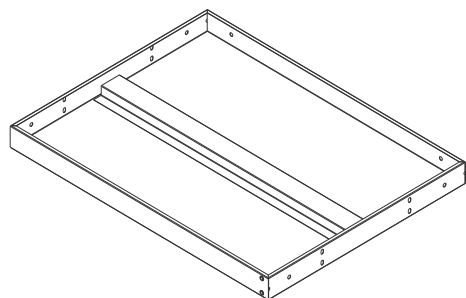
(#1-A2) Left Side - Bottom Panel x 1PC



(#2-A2) Right Side - Bottom Panel x 1PC



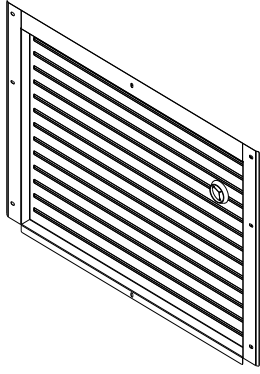
(#5) Middle Shelf x 2PC



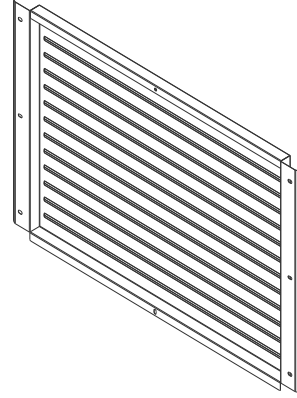
(#7) Middle Layer Panel x 1PC

PARTS LIST

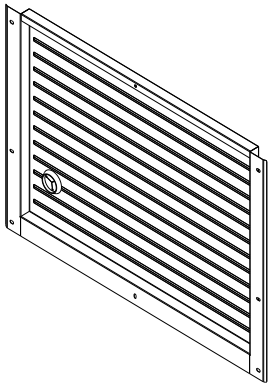
Please check the parts carefully according to the parts list. If you are missing any parts, please call our service department. (Please refer to page 14).



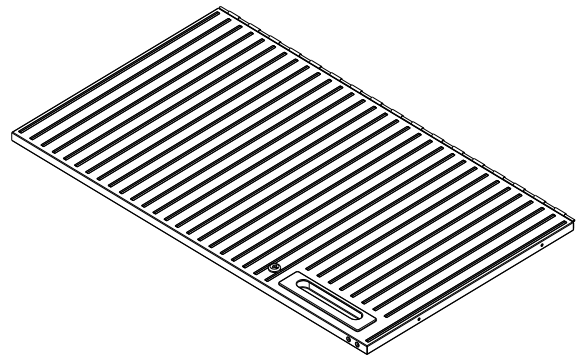
(#8) Upper Back Panel x 1PC



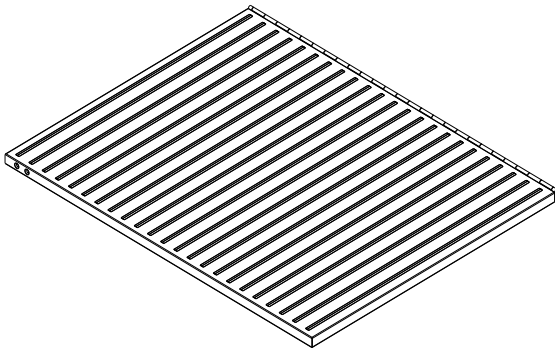
(#9) Middle Back Panel X 2PCS



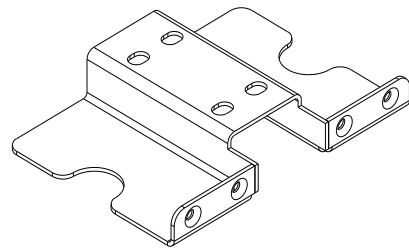
(#10) Bottom Back Panel x 1PC



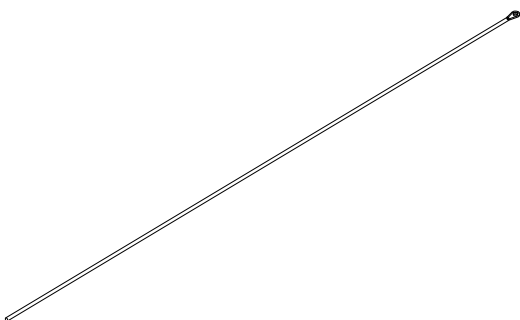
(#6-A1) Door - Upper Panel x 1PC



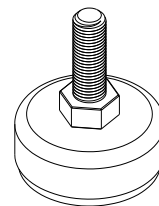
(#6-A2) Door - Bottom Panel x 1PC



(#6-A3) Door Panel Connection Part x 1 PC



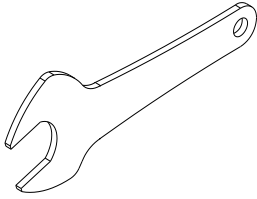
(#6-A4) Key Rod x 1 PC



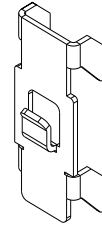
(#6) Leveling Feet x 4 PCS

PARTS LIST

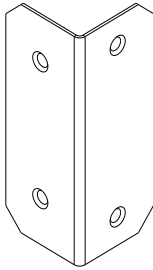
Please check the parts carefully according to the parts list. If you are missing any parts, please call our service department. (Please refer to page 14).



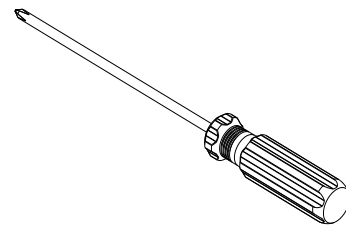
(#25) Wrench x 1 PC



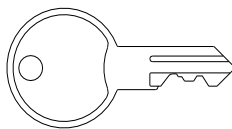
(#34) Hook x 8 PCS



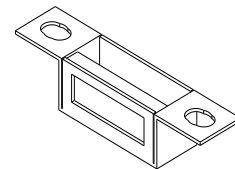
(#17) Middle Corner Protection x 6 PCS



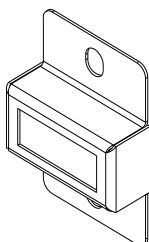
(#21) Screw Driver x 1 PC



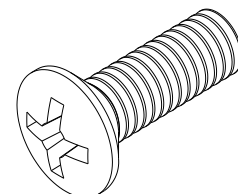
(#22) Key x 2 PCS



(#23) Magnet x 2 PCS



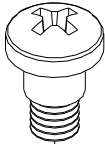
(#23-B) Magnet - B x 1PC



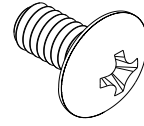
(#54) Screw N (M4 x 10L) x 24 PCS

PARTS LIST

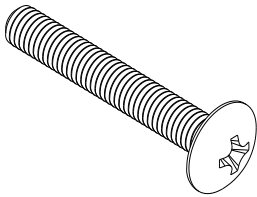
Please check the parts carefully according to the parts list. If you are missing any parts, please call our service department. (Please refer to page 14).



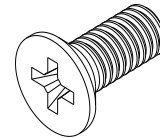
(#53) Screw L (M4 x 6L) x 1 PC



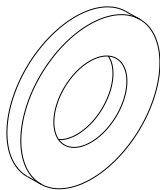
(#41) Screw F (M4 x 8L) x 48 PCS



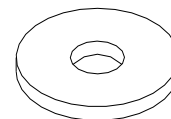
(#42) Screw G (M4 x 30L) x 12 PCS



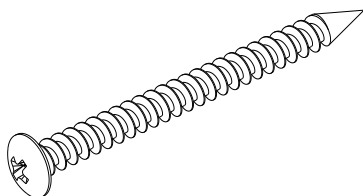
(#52) Screw K (M5 x 10L) x 4 PCS



(#27-B) Washer (M8)x 2 PCS

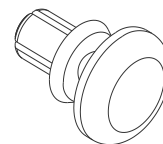


(#27) Washer (M4) x 2 PCS



(#55) Screw M (M6 x 50L) x 2 PCS

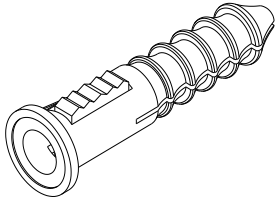
Included for quick assembly



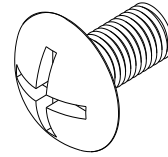
(#63) Engineered Nylon Anchor x 17 PCS

PARTS LIST

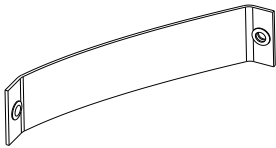
Please check the parts carefully according to the parts list. If you are missing any parts, please call our service department. (Please refer to page 14).



(#55-A) Wall Anchor x 2 PCS



(#61) Screw O (M4 x 12L) x 2 PCS



(#60) Mounting Strap x 2 PCS

UltraHD® Storage Cabinet (Model No. 20234, WEB519, 20164)

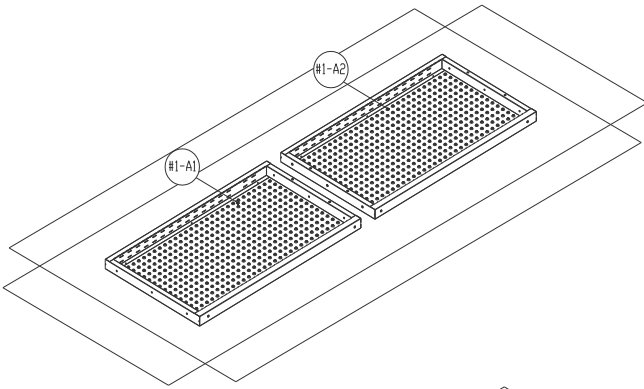


*NOTE: We recommend using TWO people to assemble the cabinet.



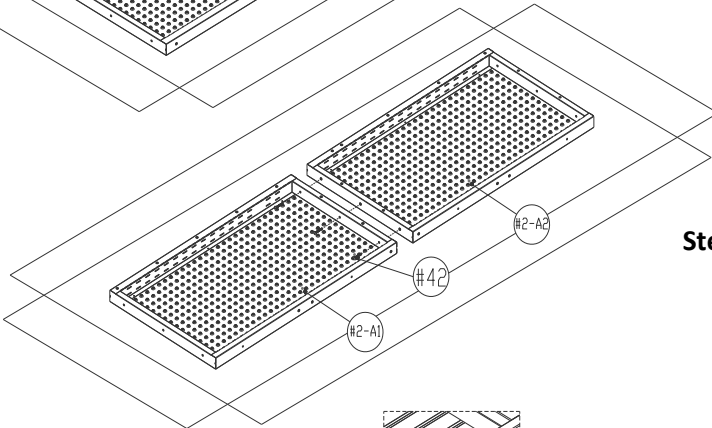
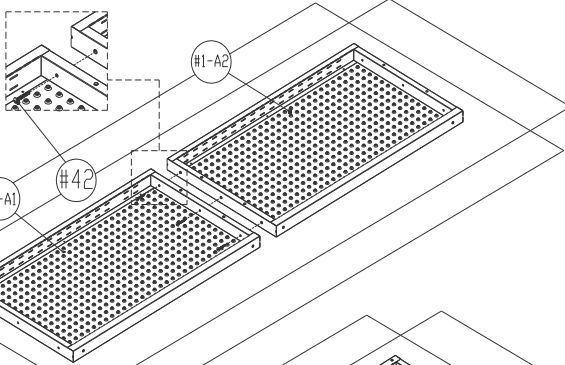
TIP: A magnetic screwdriver is included for your convenience. If using a power screwdriver, keep torque setting on LOW during assembly.

WARNING: Some parts may have sharp edges. To avoid injury, wearing gloves is recommended during assembly.



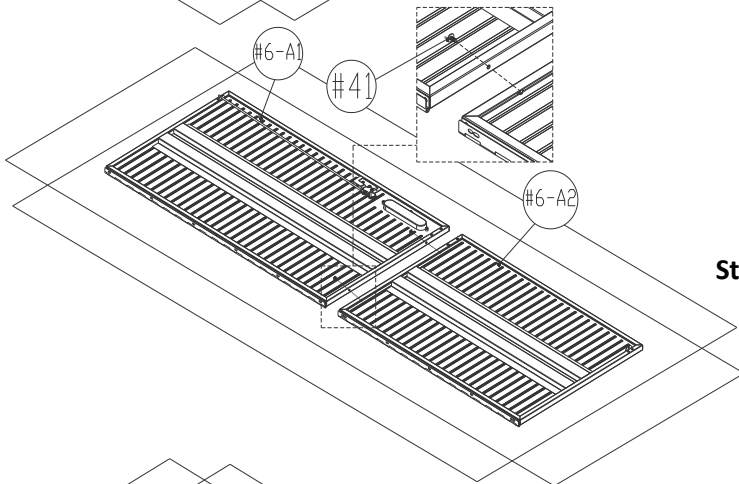
Step 1: Install Left Side Panel (#1-A)

Place the Left Side - Upper Panel (#1-A1) and Left Side - Bottom Panel (#1-A2) together, line up screw holes, use 3pcs of Screw G (#42) to tighten from the side



Step 2: Install Right Side Panel (#2-A)

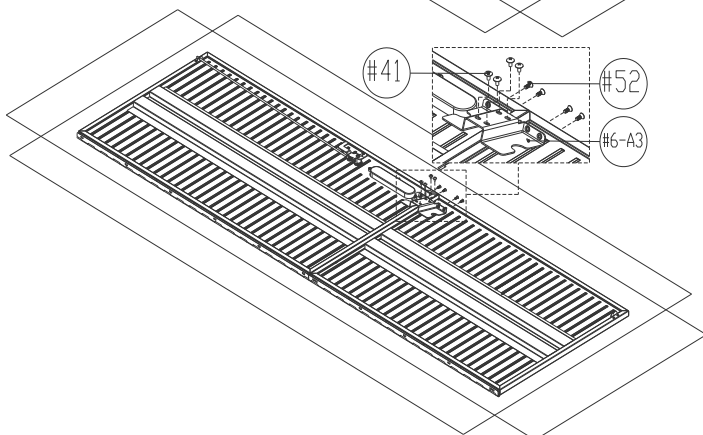
Repeat Step 1, place Right Side Upper Panel (#2-A1), Right Side Bottom Panel (#2-A2) together, line up screw holes, use 3pcs of Screw G (#42) to tighten from the side



Step 3: Install Door Panel (#6-A)

1). Place Door - Upper Panel (#6-A1) and Door - Bottom Panel (#6-A2) together, line up screw holes, use 2 pcs Screw F (#41) to tighten from the side.

2). Place the Door Panel Connection Part (#6-A3) over the touching sides, line up the screw holes, use 4pcs Screw F (#41) to tighten from the top, and use 4pcs Screw K (#52) to tighten from outside edge.

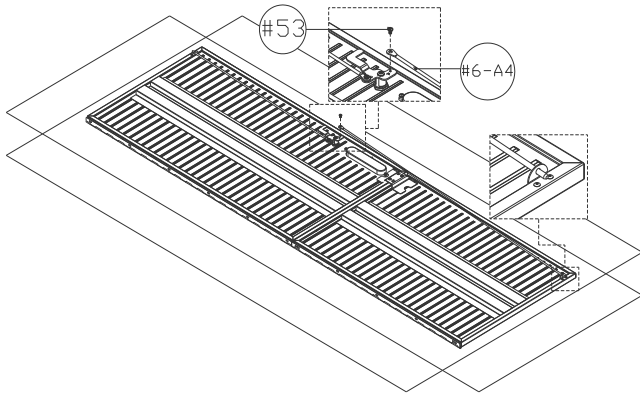


Note: Make sure all the panels assembled up to this point are flush.

UltraHD® Storage Cabinet (Model No. 20234, WEB519, 20164)

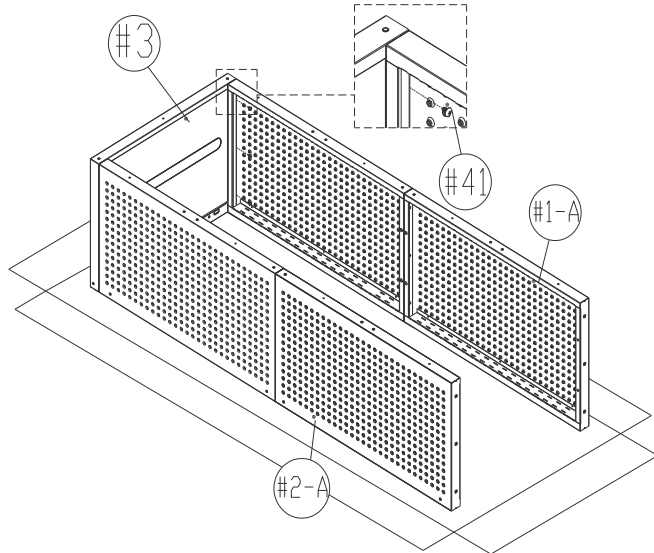


*NOTE: We recommend using TWO people to assemble the cabinet.



Step 4: Install Key Rod (#6-A4)

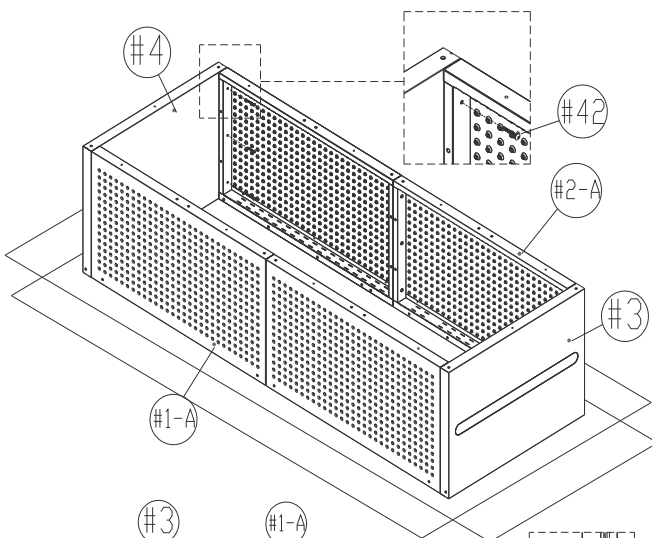
Insert Key Rod (#6-A4) into the bottom tab hole of the Door - Bottom Panel (#6-A2), twist out the Pre-assembled Screw L (#53) on the key rod linkage plate, attach Key Rod (#6-A4) by lining up the screw hole and tightening back in the Screw L (#53)



Step 5: Install Top Panel (#3) to Left Side Panel (#1-A) and Right Side Panel (#2-A)

Attach Top Panel (#3) to Left Side Panel (#1-A) and Right Side Panel (#2-A). Make sure the front of the unit faces downward. Line up screw holes, use 6pcs Screw F (#41) to tighten.

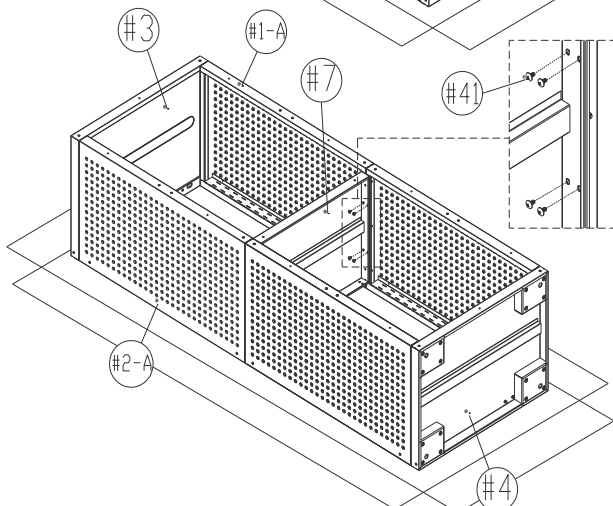
Note: Before tightening screws, make sure the corners of the Top Panel (#3) are completely flush.



Step 6: Install Bottom Panel (#4) to Left Side Panel (#1-A) and Right Side Panel (#2-A)

Attach Bottom Panel (#4) to Left Side Panel (#1-A) and Right Side Panel (#2-A). Make sure the front of the unit faces downward. Line up screw holes, use 6pcs Screw G (#42) to tighten.

Note: Before tightening screws, make sure the corners of the Bottom Panel (#4) are completely flush.



Step 7: Install Middle Layer Panel (#7)

Attached the Middle Layer Panel (#7) as the left picture shows. Use 8 pcs of Screw F (#41) to fasten the Middle Layer Panel to the Left and Right Panel

Note: Before tightening screws, make sure the front of the panel faces downward.

UltraHD® Storage Cabinet (Model No. 20234, WEB519, 20164)



*NOTE: We recommend using TWO people to assemble the cabinet.



Step 8: Install Back Panels (#8, #9 and #10)

1). Attach Bottom Back Panel (#10) onto both bottom of Left and Right Side Panels (#1-A2 and #2-A2) and Bottom Panel (#4), line up screw holes, use 4 pcs Screw F (#41) in each corner hole to tighten.

2). Attach both Middle Back Panel (#9) above Bottom Back Panel (#10) the same way. Place the groove of the Middle Back Panel (#9) onto the top edge of the Bottom Back Panel (#10), use 8 pcs Screw F (#41) to tighten each corner of the panel.

3). Use 4 pcs Screw F (#41) to install Upper Back Panel (#8) the same way, with a screw in each corner of the panel.

4). Use 13 pcs of Engineered Nylon Anchors (#63) to secure the back panels. Press the Engineered Nylon Anchors into the rest of the holes on the back panels to fasten.

Press the Engineered Nylon Anchors into the holes to fasten

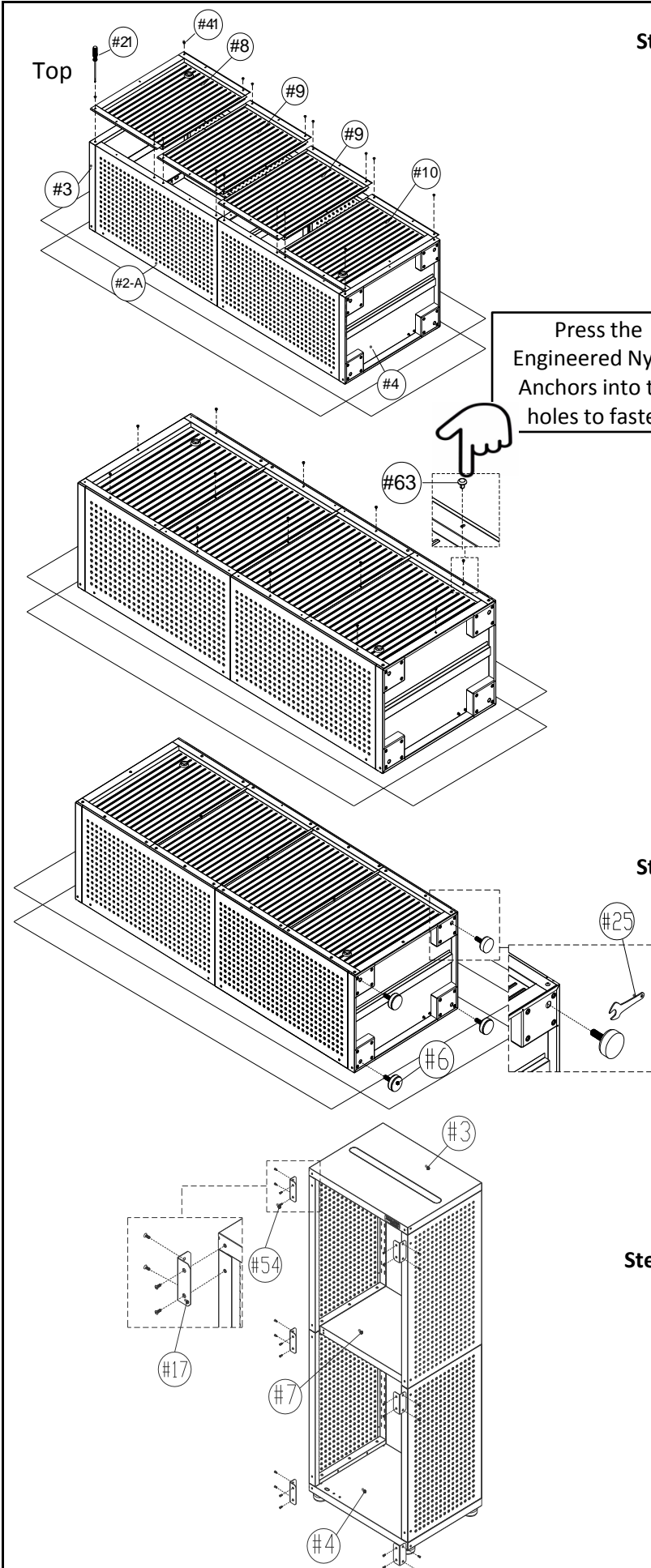
Step 9: Install Leveling Feet (#6).

Install Leveling Feet (#6) into the largest corner holes of the Bottom Panel (#4), use Wrench (#25) to tighten.

Lift the Storage Cabinet upright after this step

Step 10: Install Corner Protection (#17)

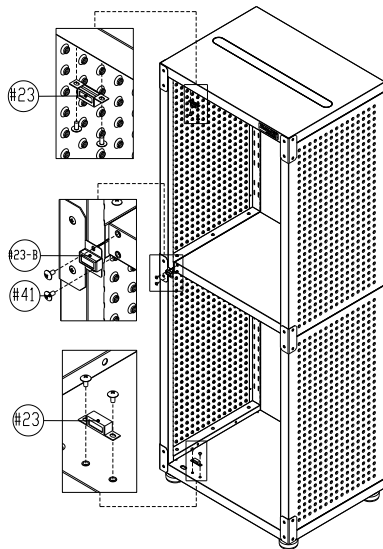
1). Attach Corner Protection on the Top, Middle and Bottom corners of the cabinet, use 24pcs Screw N (#54) to tighten.



UltraHD® Storage Cabinet (Model No. 20234, WEB519, 20164)



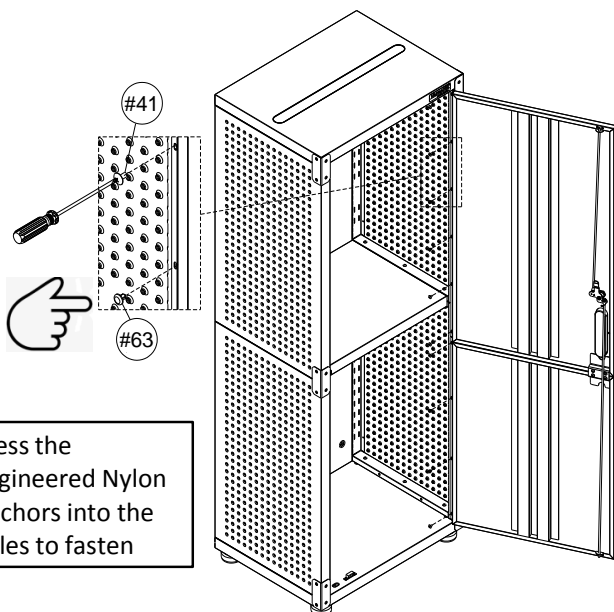
*NOTE: We recommend using TWO people to assemble the cabinet.



Step 11: Install Magnet (#23) and Magnet-B (#23-B)

Place Magnet (#23) onto Top Panel (#3) and Bottom Panel (#4) facing the front, use 4pcs Screw F (#41) to tighten.

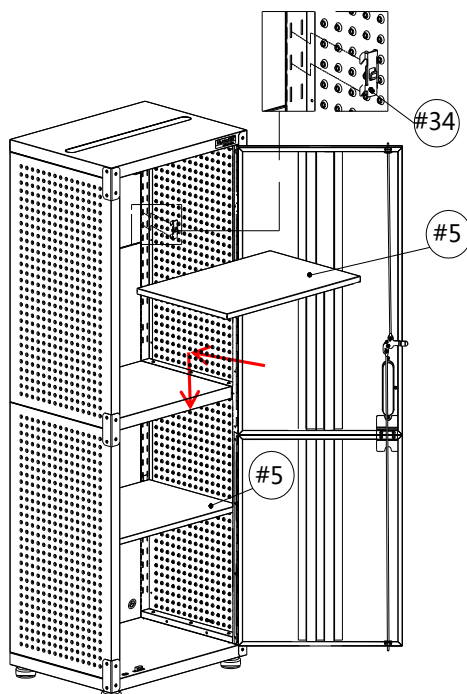
Place Magnet-B (#23-B) on the front of the Middle Layer Panel(#7), use 2pcs Screw F (#41) to tighten.



Step 12: Install Door (#6-A)

1). Attach Door Panel (#6-A) to Right Side Panel (#2-A), use 6 pcs Screw F (#41) and 4 pcs Engineered Nylon Anchors (#63). Press the Engineered Nylon Anchors into the holes to further secure the door panels.

NOTE: The screw holes on the door hinge have tolerance, enabling the door to be adjusted and centered in the door frame. Place top, middle and bottom screws first. Don't tighten screws completely - this may save time by avoiding having to make slight adjustments for leveling door panels later.



Step 13: Install Middle Shelves (#5)

1). Decide the height for the each Middle Shelf (#5). Place 1pc of Hook (#34) into the hook slot where each corner of shelf should be placed. Make sure the hooks supporting each shelf are at same height.

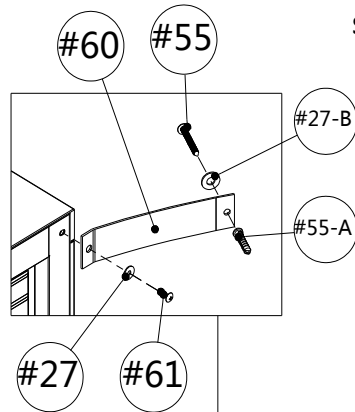
Note: All Middle Shelves (#5) need a hook at each corner to support it.

2). Place each Middle Shelf (#5) into cabinet and push down onto Hooks (#34).

UltraHD® Storage Cabinet (Model No. 20234, WEB519, 20164)



*NOTE: We recommend using TWO people to assemble the cabinet.



Step 14: Install Mounting Strap (#60)

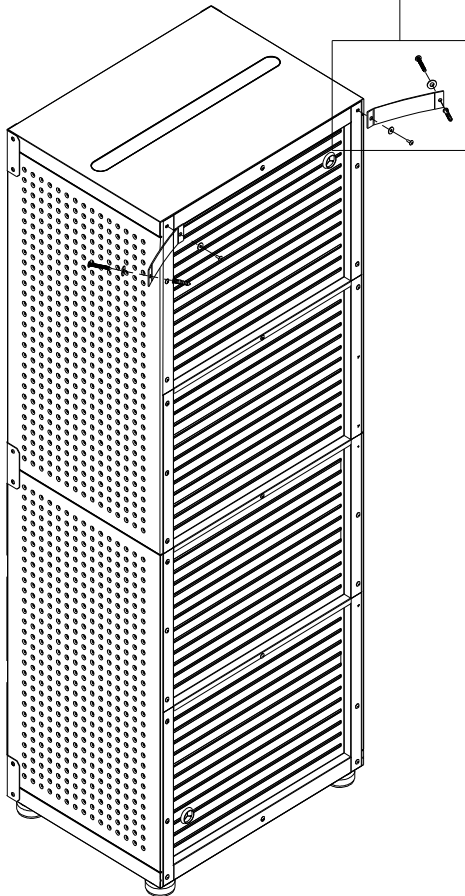
A. Remove 1 pc Screw F (#41) from the back corner protection.

B. Attach the Mounting Strap (#60) to the back Corner Protection brackets as the left photo shows using Screw O (#61) and Washer (#27).

C. Drill a hole in the wall with a 5/16" drill bit, insert the Wall Anchor (#55-A) into the hole.

D. Attach the other end of the Mounting Strap (#60) to the wall using Screw M (#55) and Washer (#27-B).

Repeat steps A through D to install the other mounting strap.



Warning: To prevent possible tipping, it is suggested that the Mounting Straps be installed. For safety, secure the mounting straps to wood studs whenever possible.

UltraHD® Stainless Steel Care Instructions

The stainless steel is protected with UltraGuard® fingerprint resistant finish.

DO NOT use traditional stainless-steel cleaners. To safely manage unwanted fingerprints and prevent new stains, perform the following steps once monthly:

- Lightly wipe with warm water and clean microfiber cloth
- Always wipe in the direction of the surface grain (NEVER ACROSS)
- Wipe away excess water with dry clean cloth

CONTACT INFORMATION

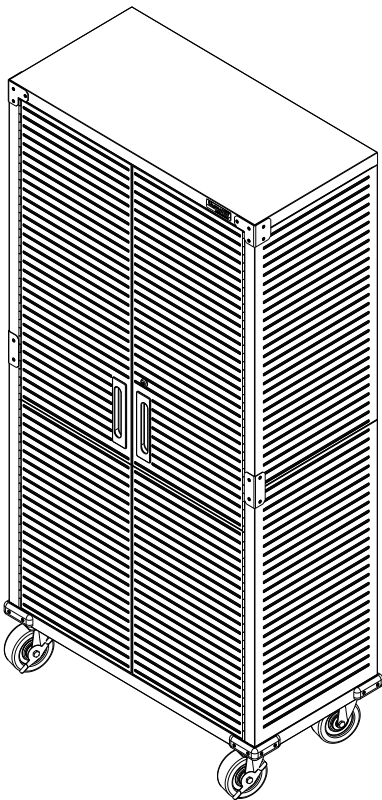
If you are missing any parts, have any questions, or need additional assistance in assembly, please contact our bilingual (English and Spanish) customer service department at:



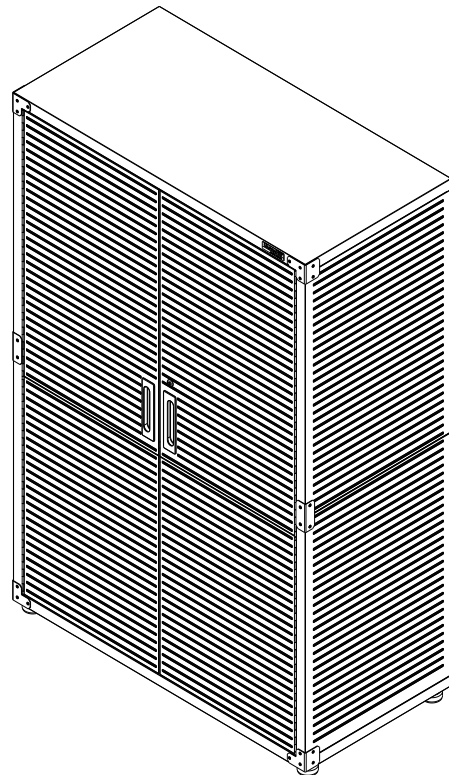
Seville Classics, Inc.
19401 Harborage Way Torrance, CA 90501 USA
Telephone: (800) 323-5565 within USA
Fax: (310) 533-3899
Hours: 9:00am - 4:30pm (Pacific Standard Time)
E-mail: support@sevilleclassics.com
Website & Online Store: www.sevilleclassics.com

*****Please visit our website or call and inquire about our additional UltraHD Line*****

UltraHD® Line

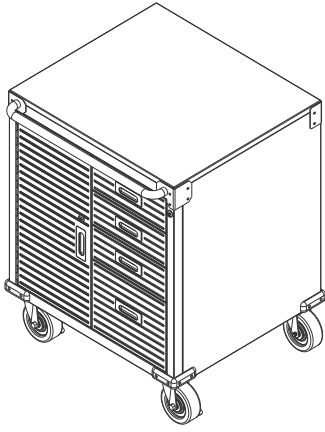


UltraHD® Tall Storage Cabinet
Model No. 16236 (Granite)
Model No. 20143 (Graphite)
Model No. 20153 (Red)
Model No. 20133 (White)



UltraHD® Mega Storage Cabinet
Model No. 16238 (Granite)
Model No. 20148 (Graphite)
Model No. 20158 (Red)
Model No. 20138 (White)

UltraHD® Line



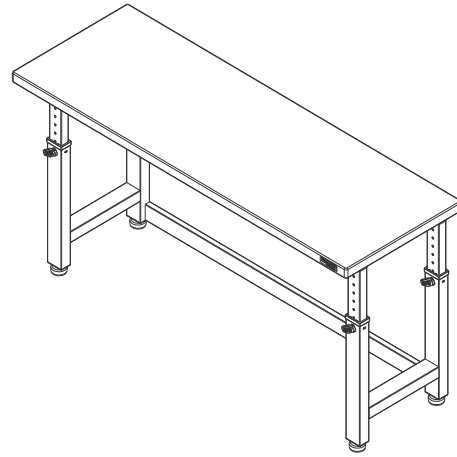
UltraHD® Rolling Cabinet

Model No. 20225 (Granite)

Model No. 20081 (Graphite)

Model No. 20082 (Red)

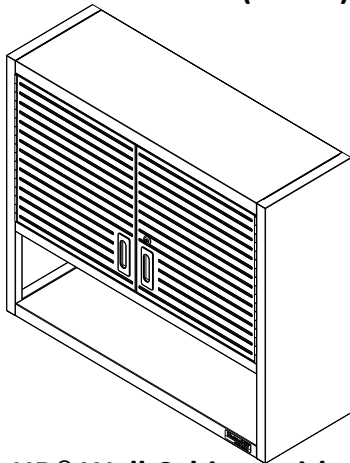
Model No. 20083 (White)



UltraHD® 6-Foot Height Adjustable Workbench

Model No. 20292 (Granite)

Model No. 20293 (Graphite)



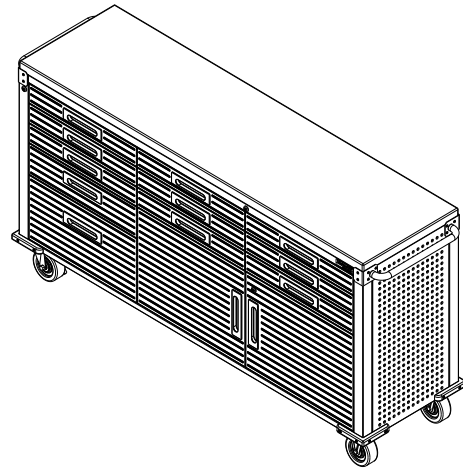
UltraHD® Wall Cabinet with Open Shelf

Model No. 20230 (Granite)

Model No. 20140 (Graphite)

Model No. 20150 (Red)

Model No. 20130 (White)

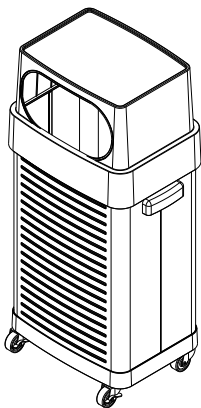


UltraHD® 2-Door Rolling Workbench

Model No. 20262 (Granite)

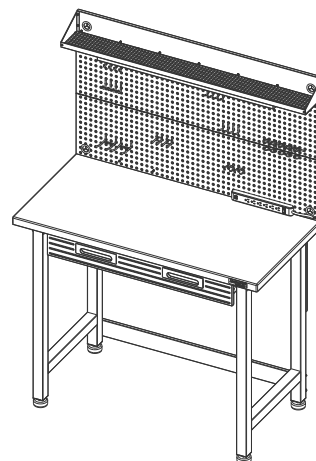
Model No. 20142 (Graphite)

Model No. 20152 (Red)



UltraHD® Rolling Trash Bin

Model No. 20215



UltraHD® Lighted Workcenter

Model No. 20247 (Granite)

Model No. 20246 (Graphite)

Model No. 20157 (Red)