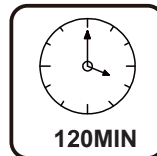
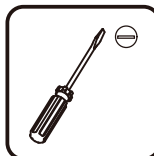
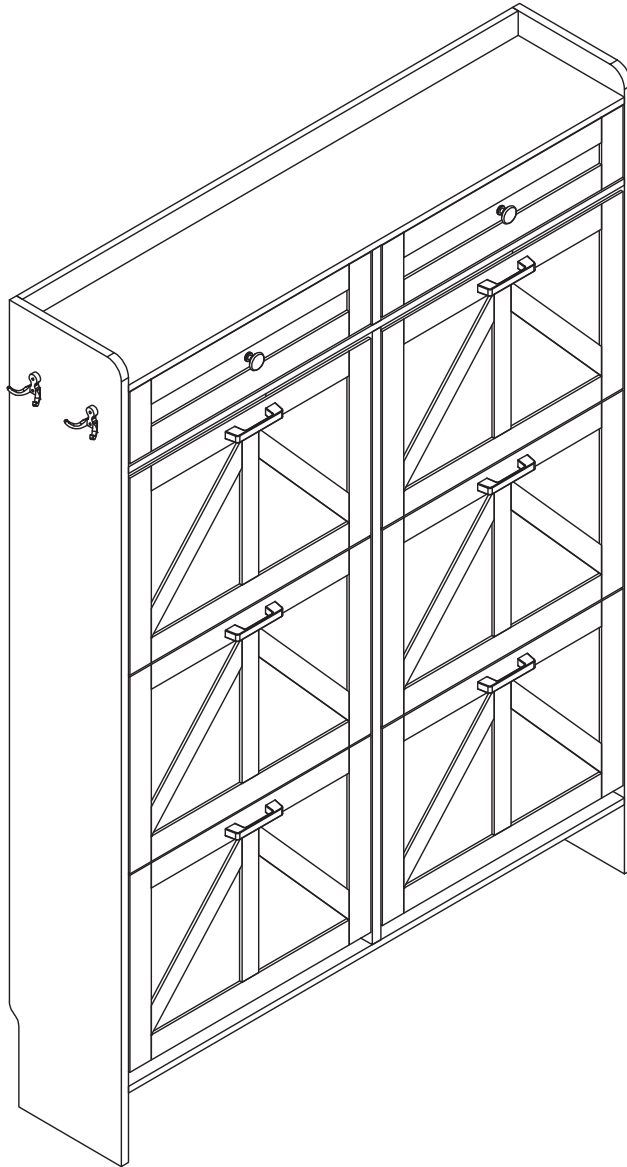


Installation & Assembly



EN_IMPORTANT, RETAIN FOR FUTURE REFERENCE: READ CAREFULLY.

. THANK YOU FOR PURCHASE! .

FREE REPLACEMENT PARTS AVAILABLE!



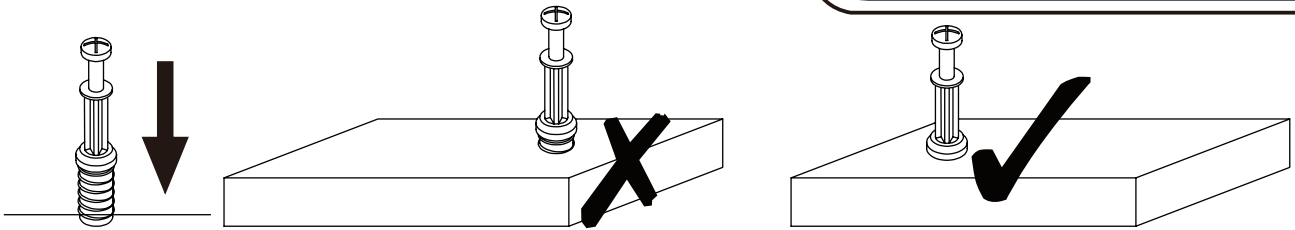
If you're experiencing any issues—whether due to shipping, assembly, or any other reason
—we're here to help.

For any damaged or missing components, we're happy to provide FREE replacement parts.

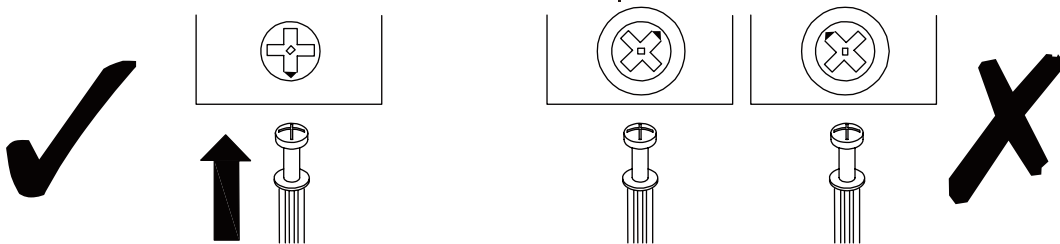
WANT TO CONTACT US

- ▶ Log in to your account.
- ▶ Go to “Your Orders” and locate your furniture order.
- ▶ Click on “Get Help with Order” to send us a message directly.

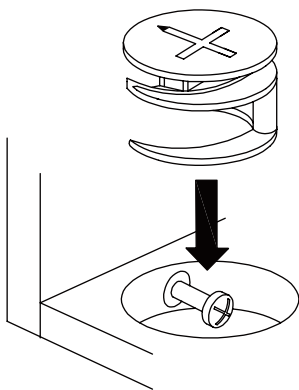
Our customer support team is ready to assist you and we will respond within
12-24 HOURS to resolve your concerns quickly!



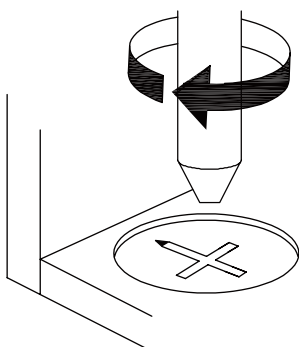
EN_QUICKFIT: Tighten quickfit until shoulder is flush with panel. Do not overtighten or undertighten.



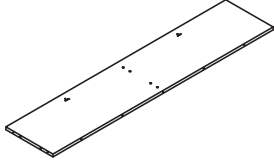
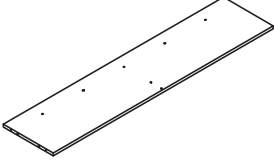
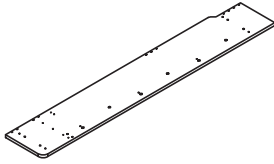
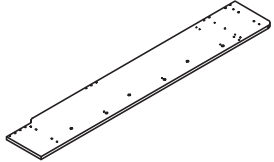
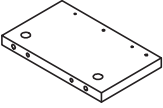
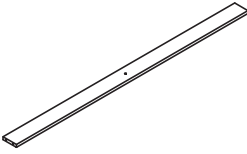
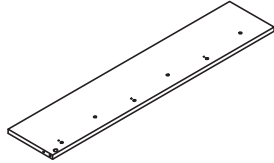
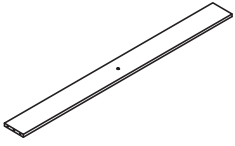
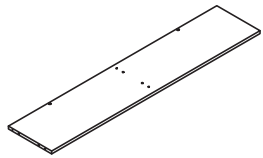
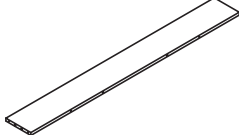
EN_CAM LOCK: When fitting cam lock, ensure starting position is correct before you insert connecting quickfit.

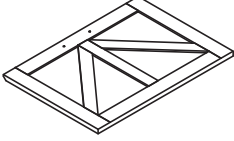
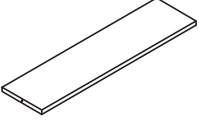
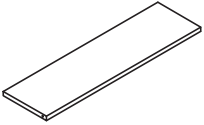
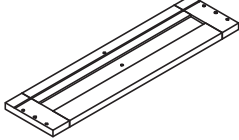
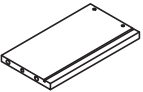
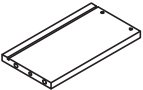
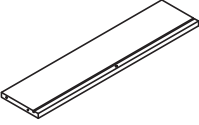
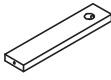
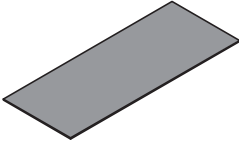



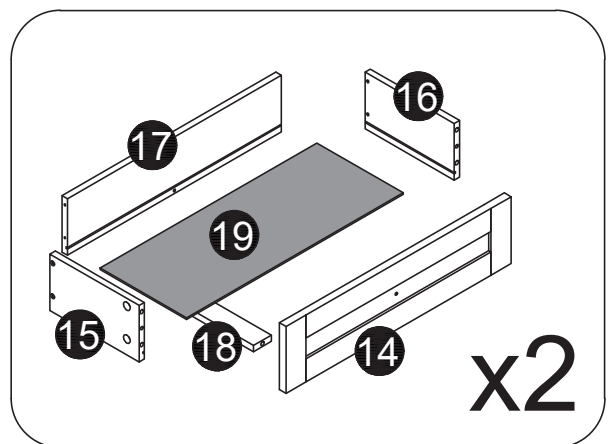
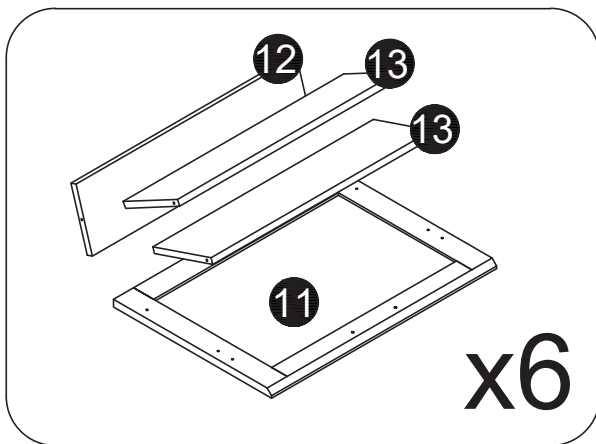
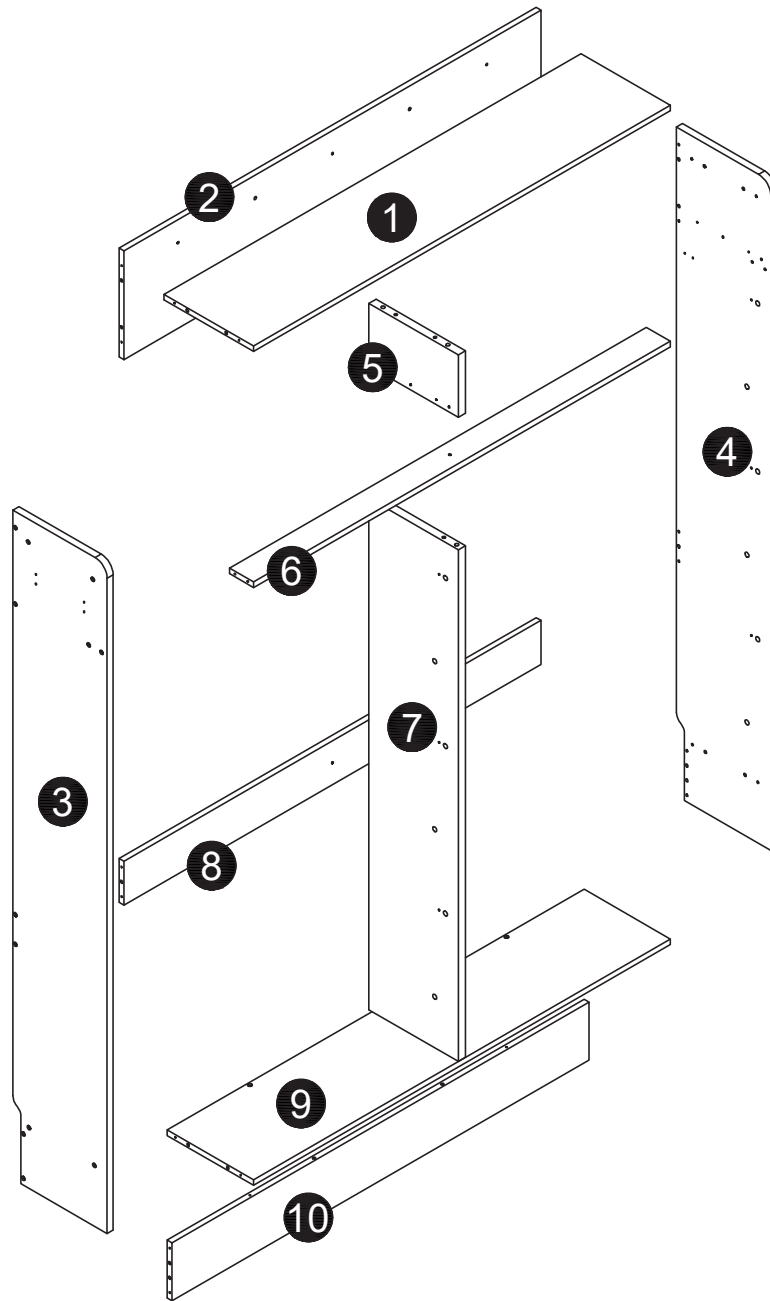
EN_Quickfit head should be in the centre of the cam lock when the two panels are joined.
Cam lock should be inserted before quickfit.

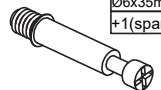

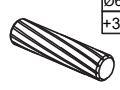
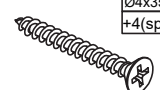





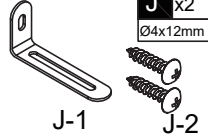
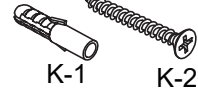



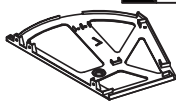
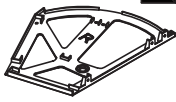

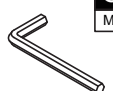


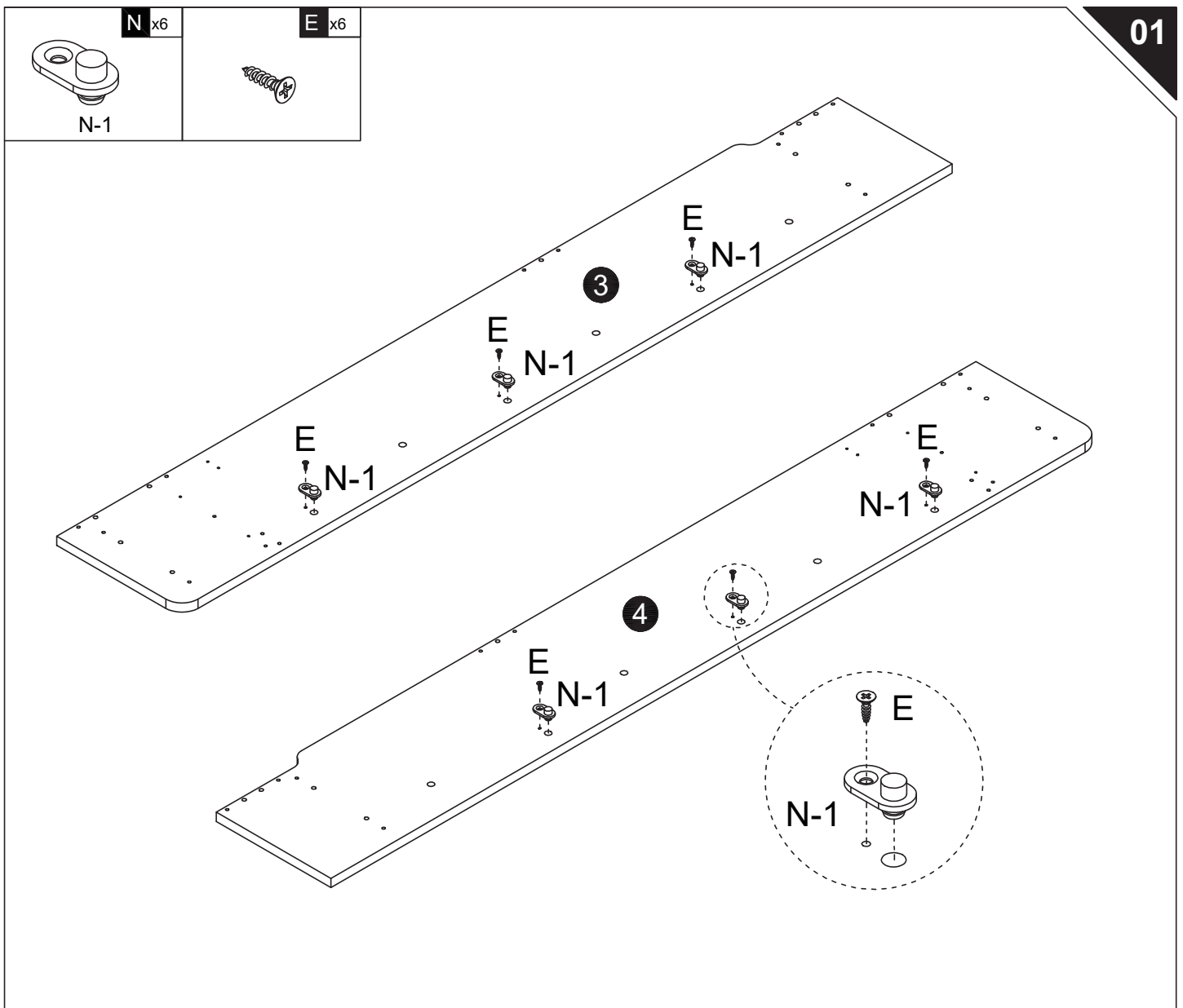
EN_Turn cam lock clockwise to tighten.

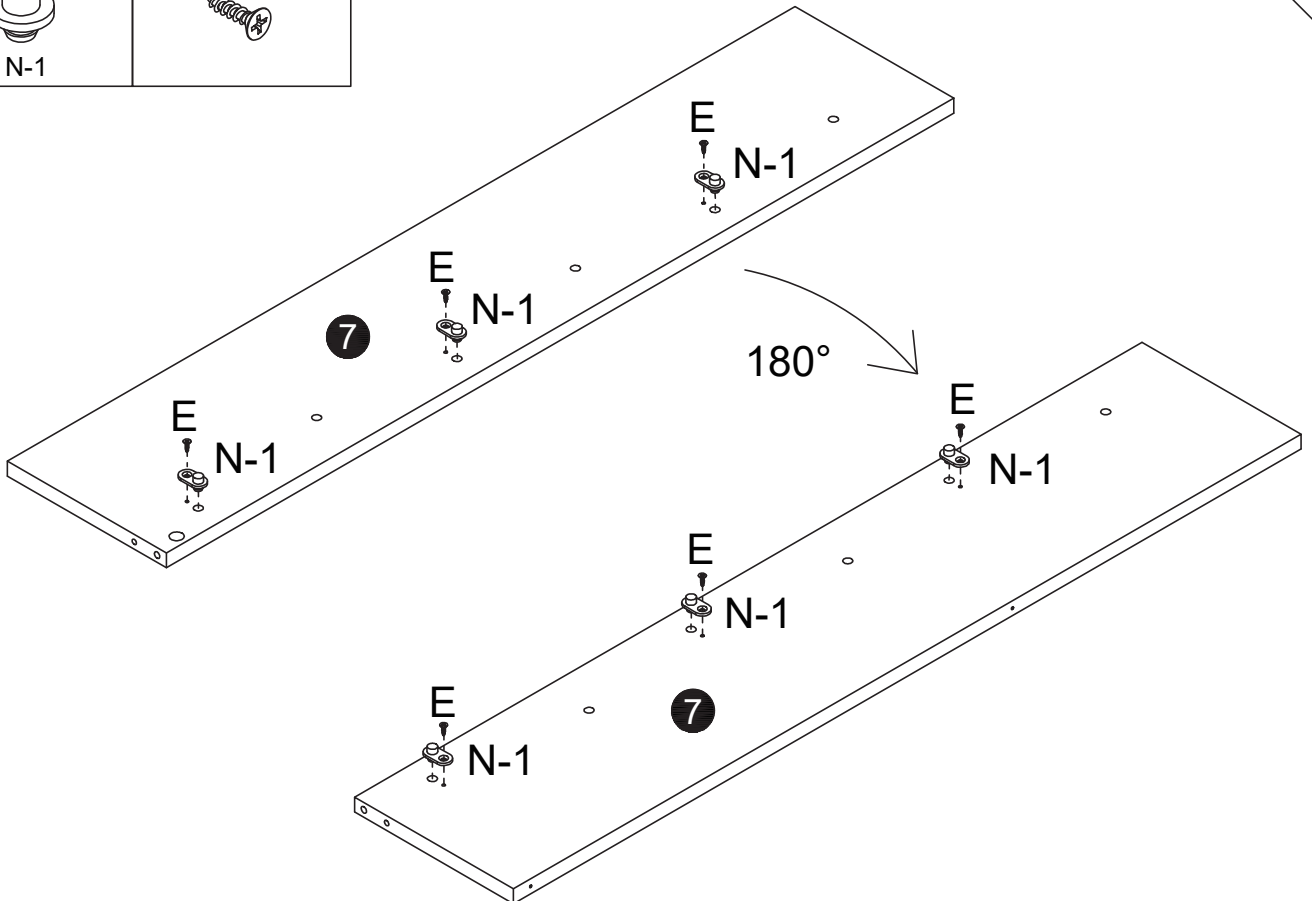
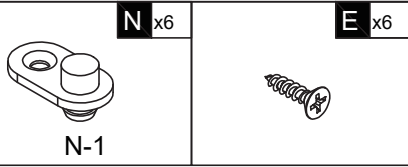
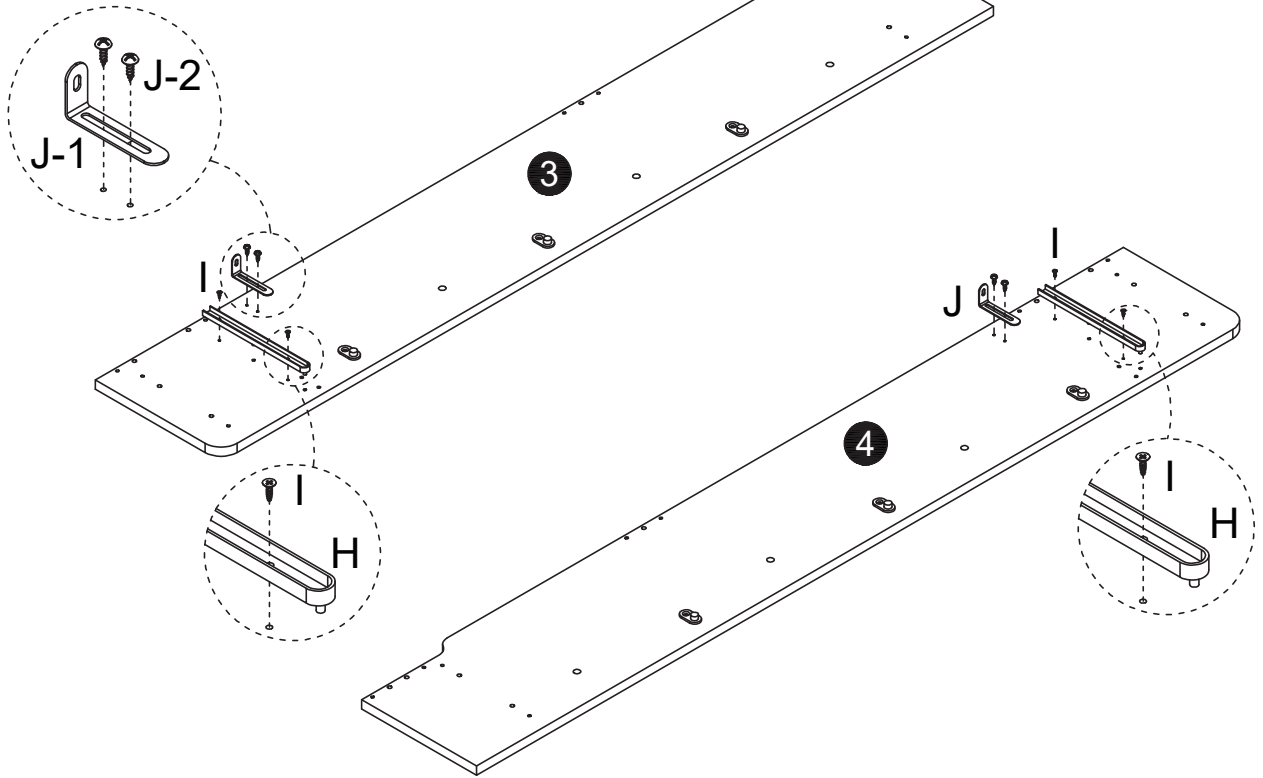
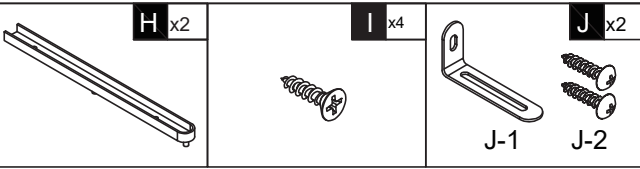
NO.	PARTS	QTY	SPARE
①		x1	
②		x1	
③		x1	
④		x1	
⑤		x1	
⑥		x1	
⑦		x1	
⑧		x1	
⑨		x1	
⑩		x1	

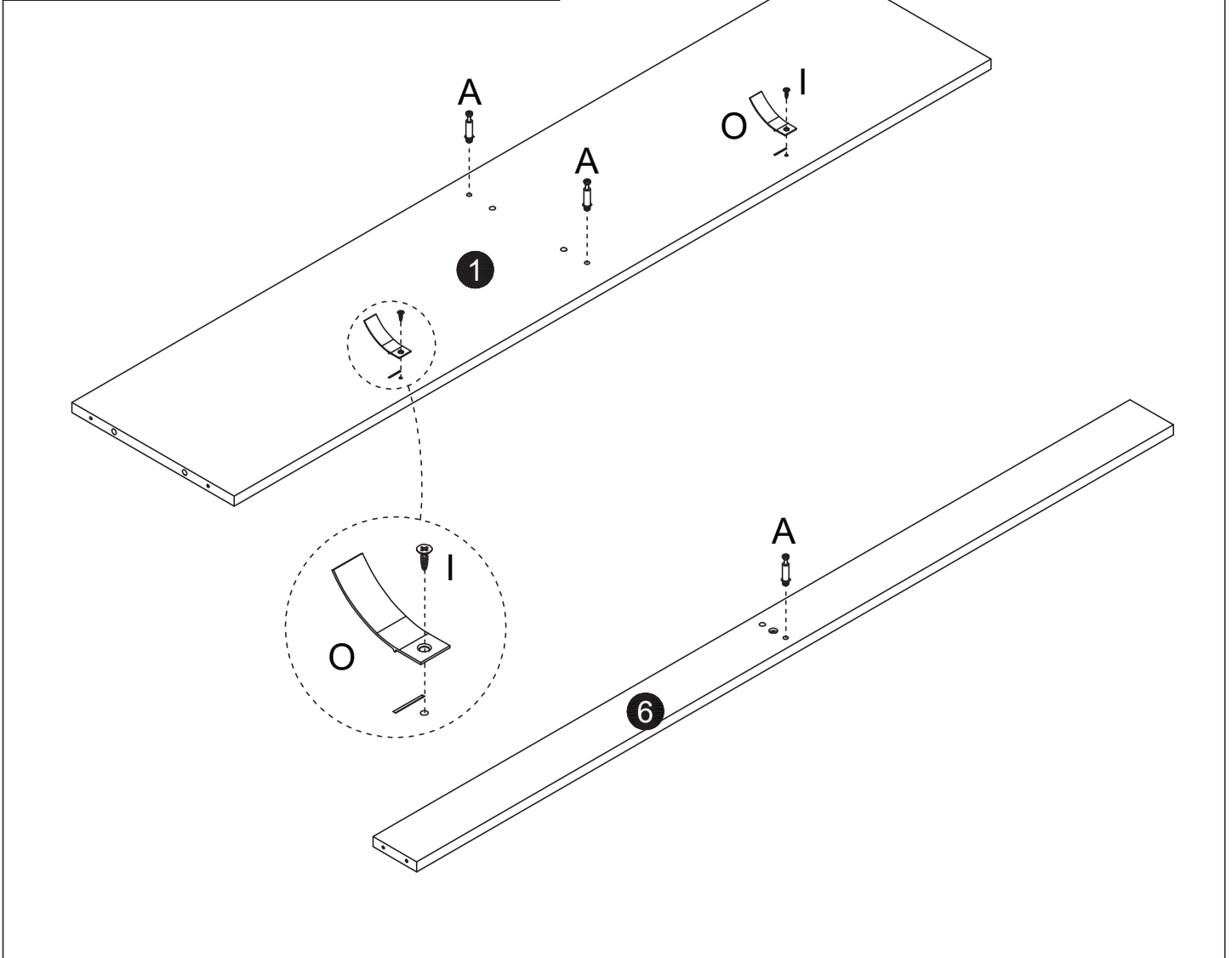
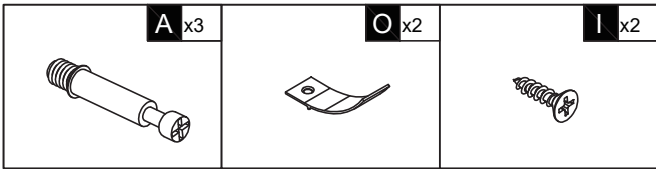
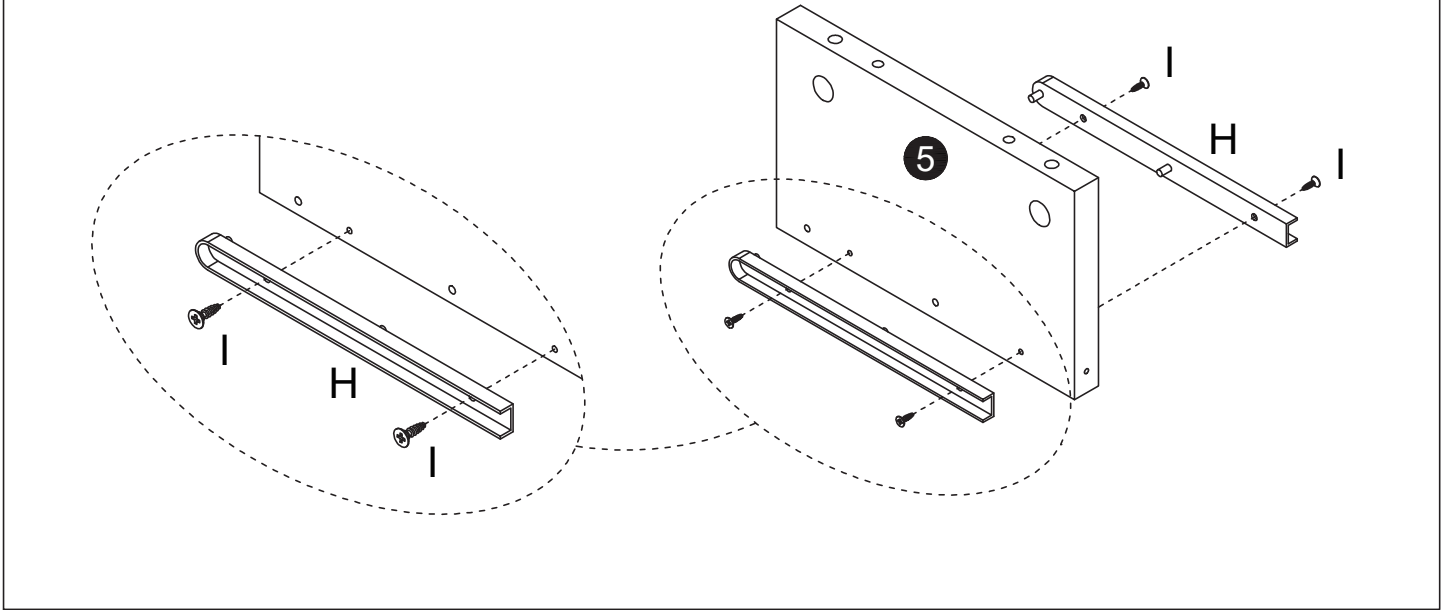
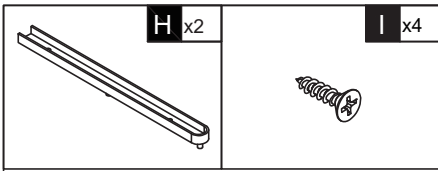
NO.	PARTS	QTY	SPARE
⑪		x6	
⑫		x6	
⑬		x12	
⑭		x2	
⑮		x2	
⑯		x2	
⑰		x2	
⑱		x2	
⑲		x2	
	 Hardware Kit	x1	



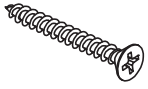
 <p>A x13 Ø6x35mm +1(spare)</p>	 <p>B x13 Ø15x10mm +1(spare)</p>	 <p>C x31 Ø6x30mm +3(spare)</p>	 <p>D x44 Ø4x35mm +4(spare)</p>	 <p>E x84 Ø3.5x14mm +5(spare)</p>	 <p>F x2 F-1 F-2</p>
 <p>G x6 G-1 G-2</p>	 <p>H x4</p>	 <p>I x10 Ø3.5x10mm +1(spare)</p>	 <p>J x2 Ø4x12mm J-1 J-2</p>	 <p>K x2 K-1 K-2</p>	 <p>M x28 +4(spare)</p>
 <p>N x12 +1(spare) N-1 N-2 N-3</p>	 <p>O x2</p>	 <p>L x6</p>	 <p>R x6</p>	 <p>P x2 P-1 P-2</p>	
 <p>Q x1 M5</p>					



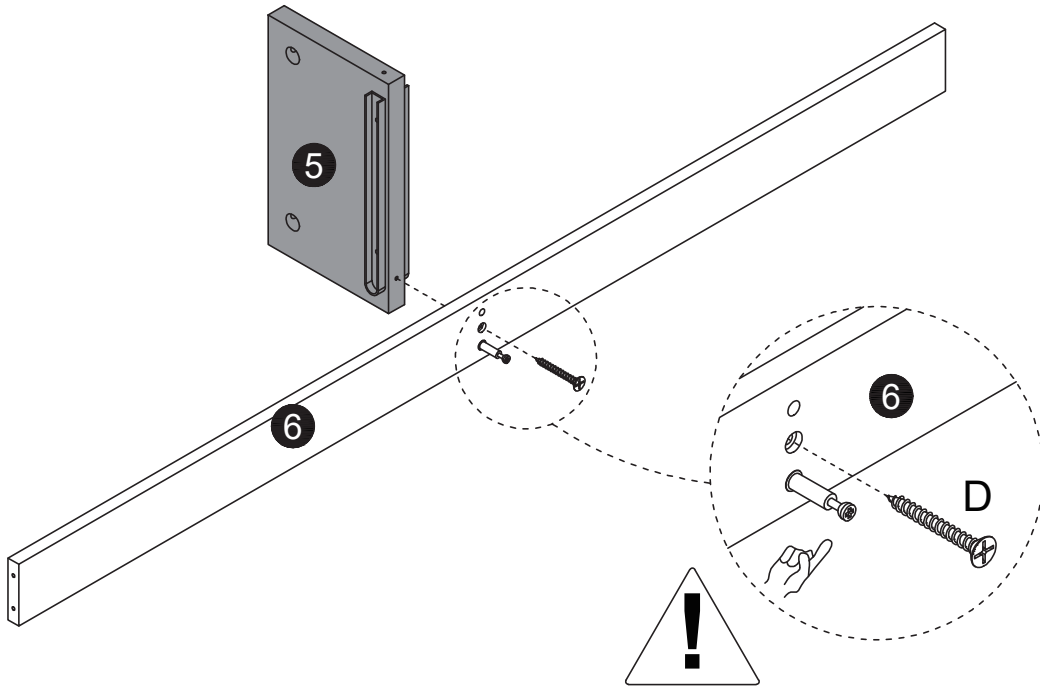




D x1



06



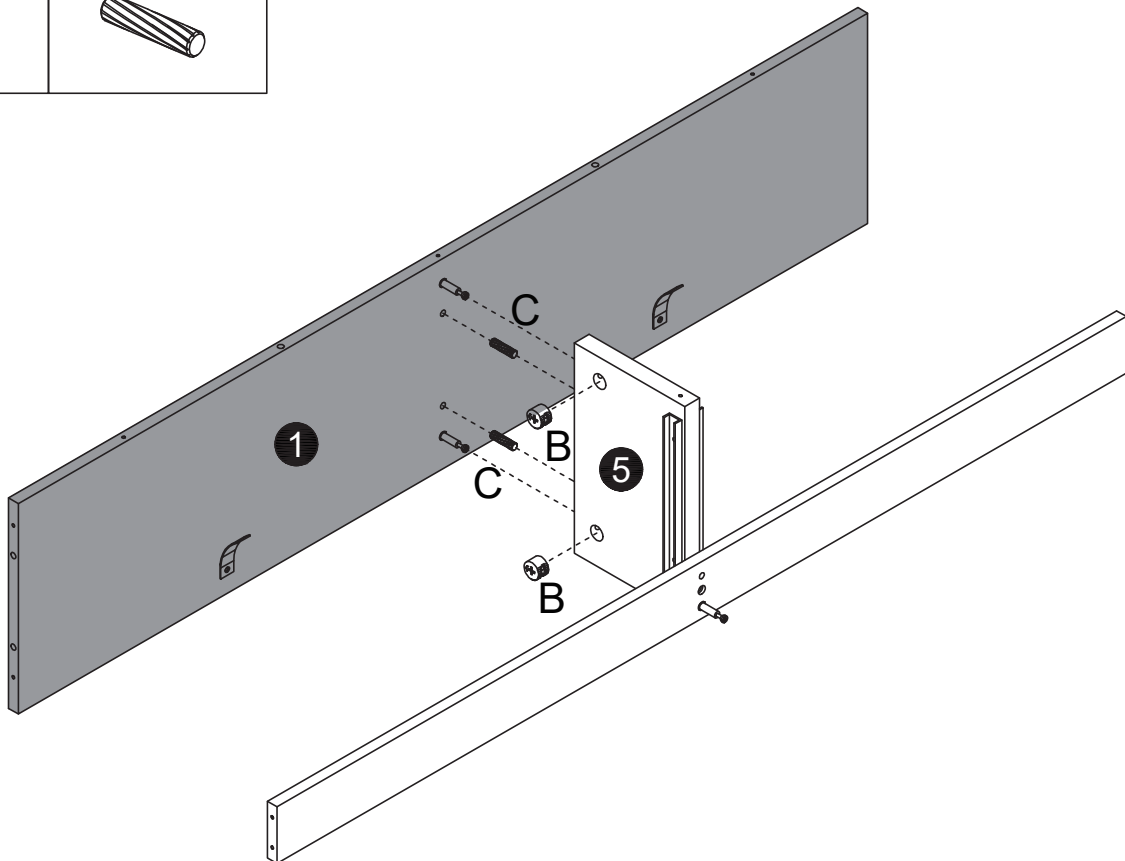
B x2



C x2

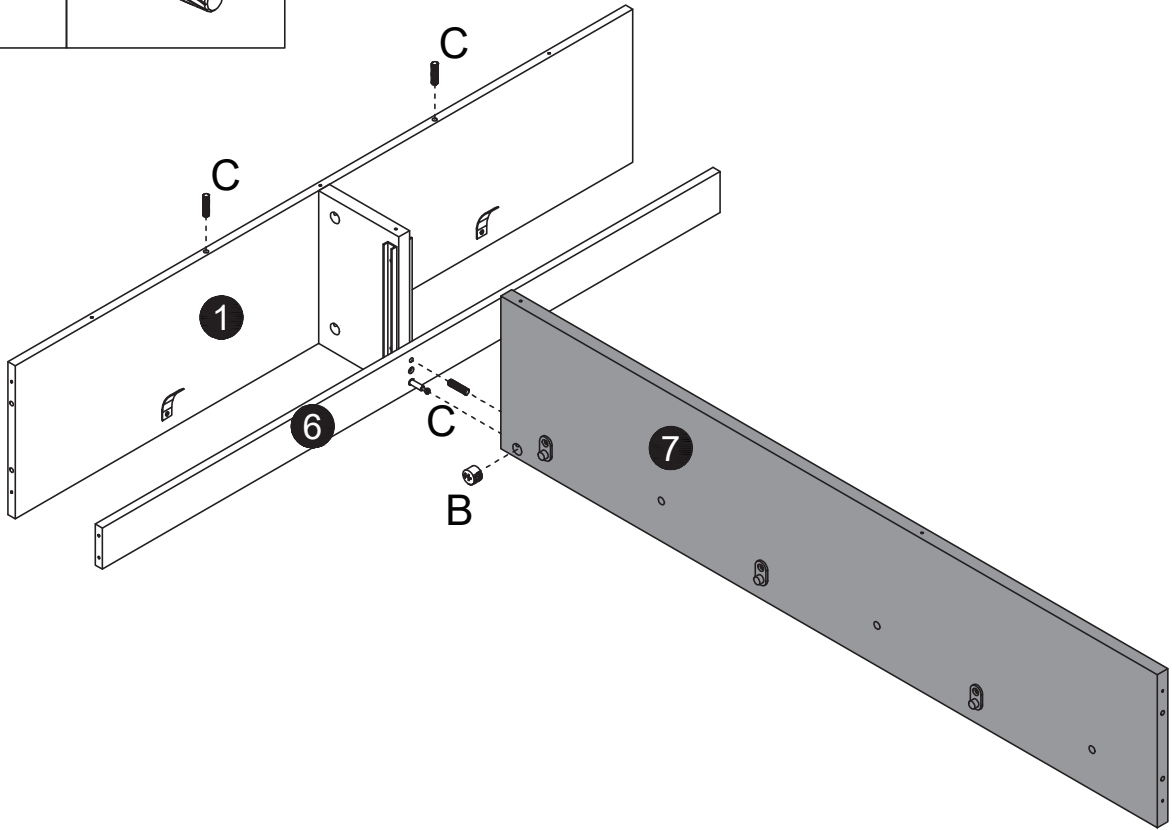


07

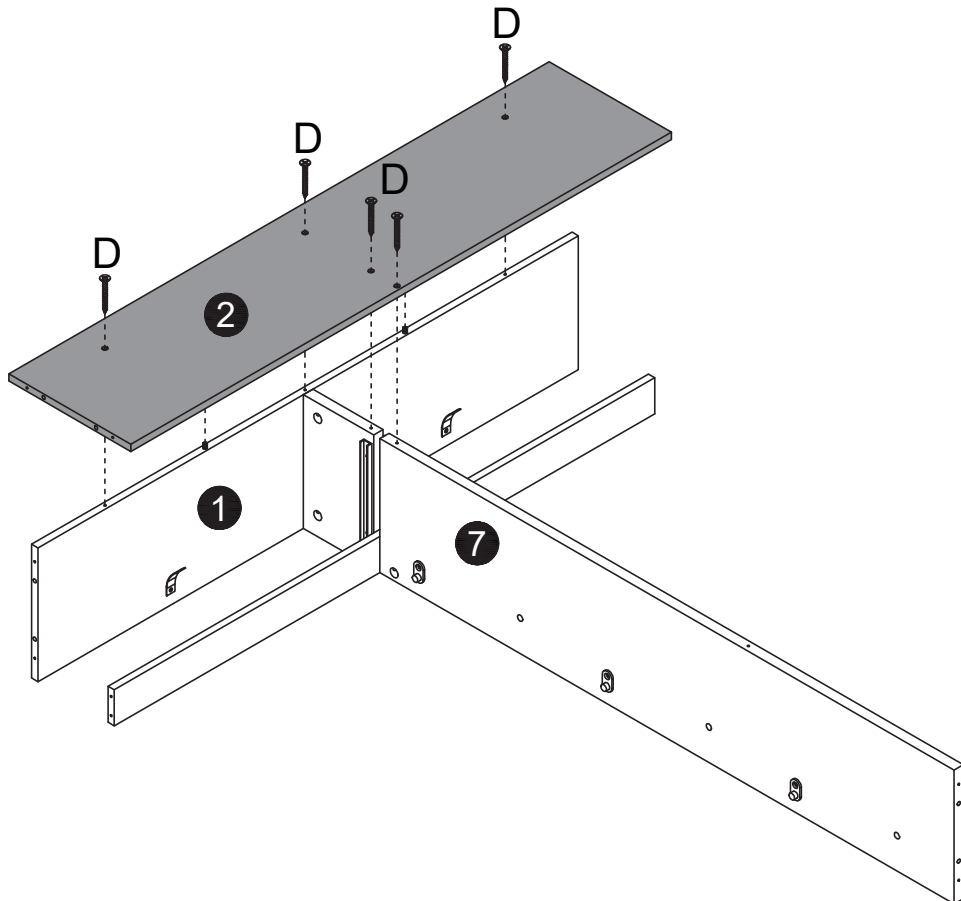
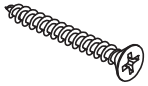


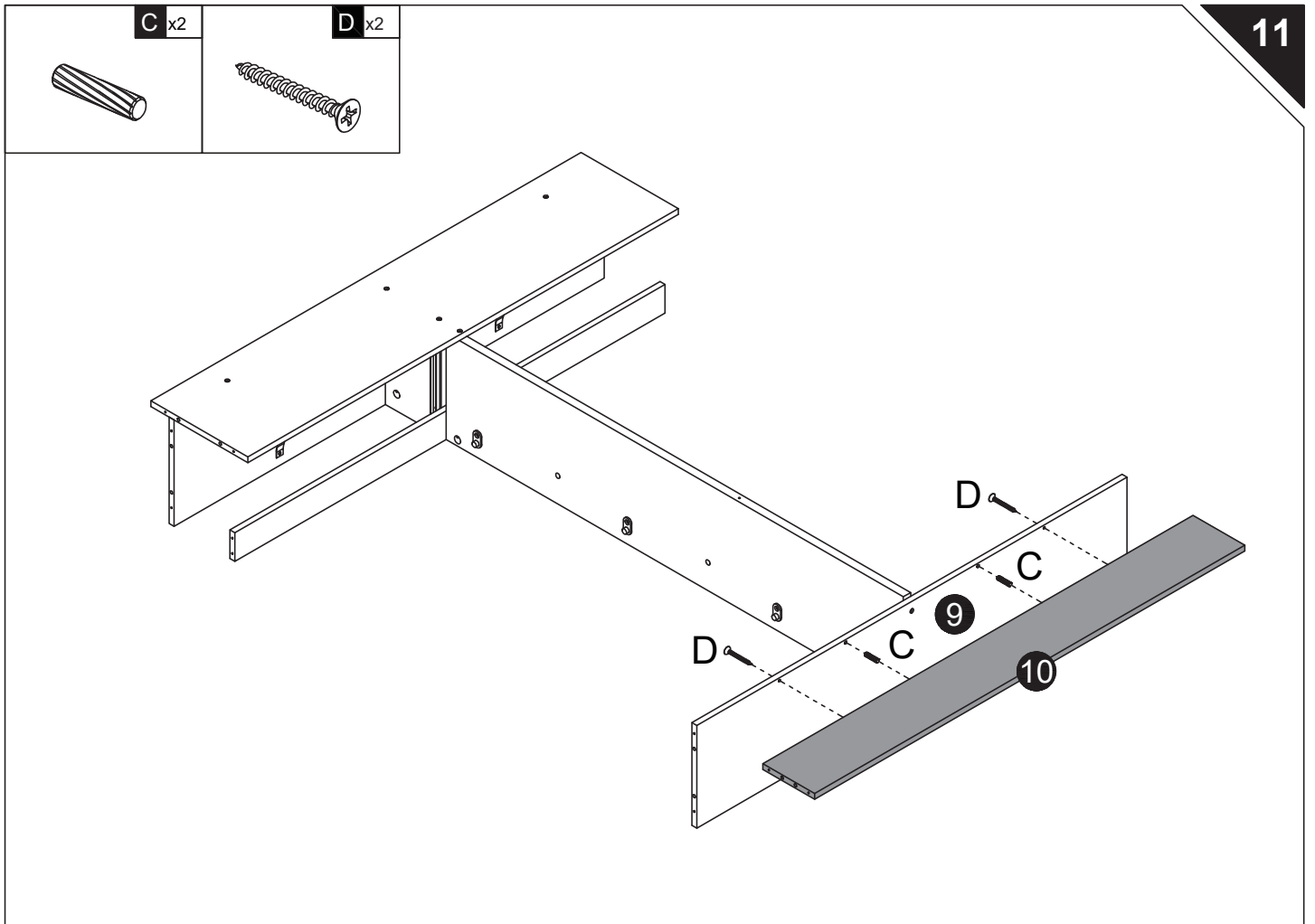
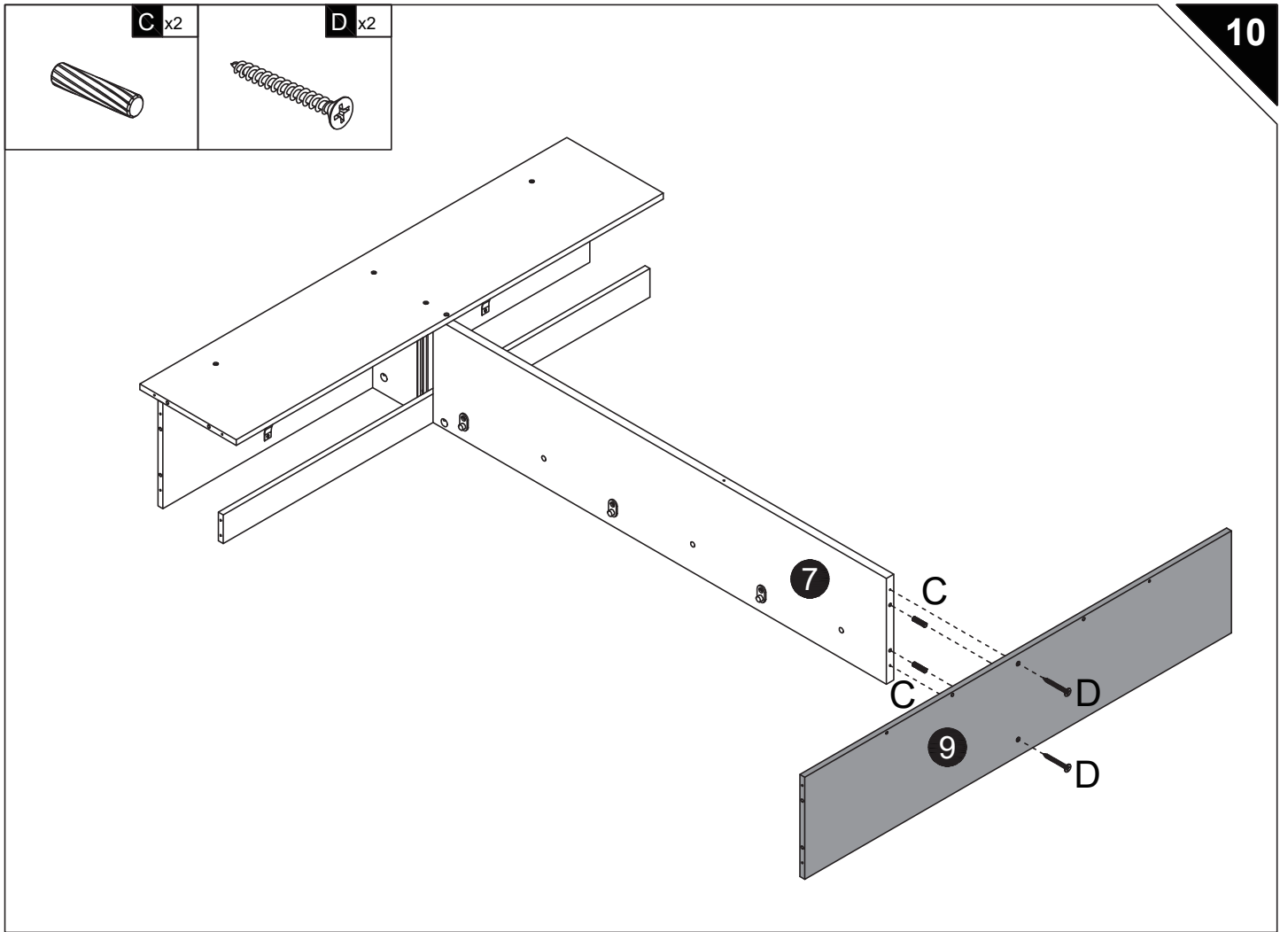
B x1

C x3



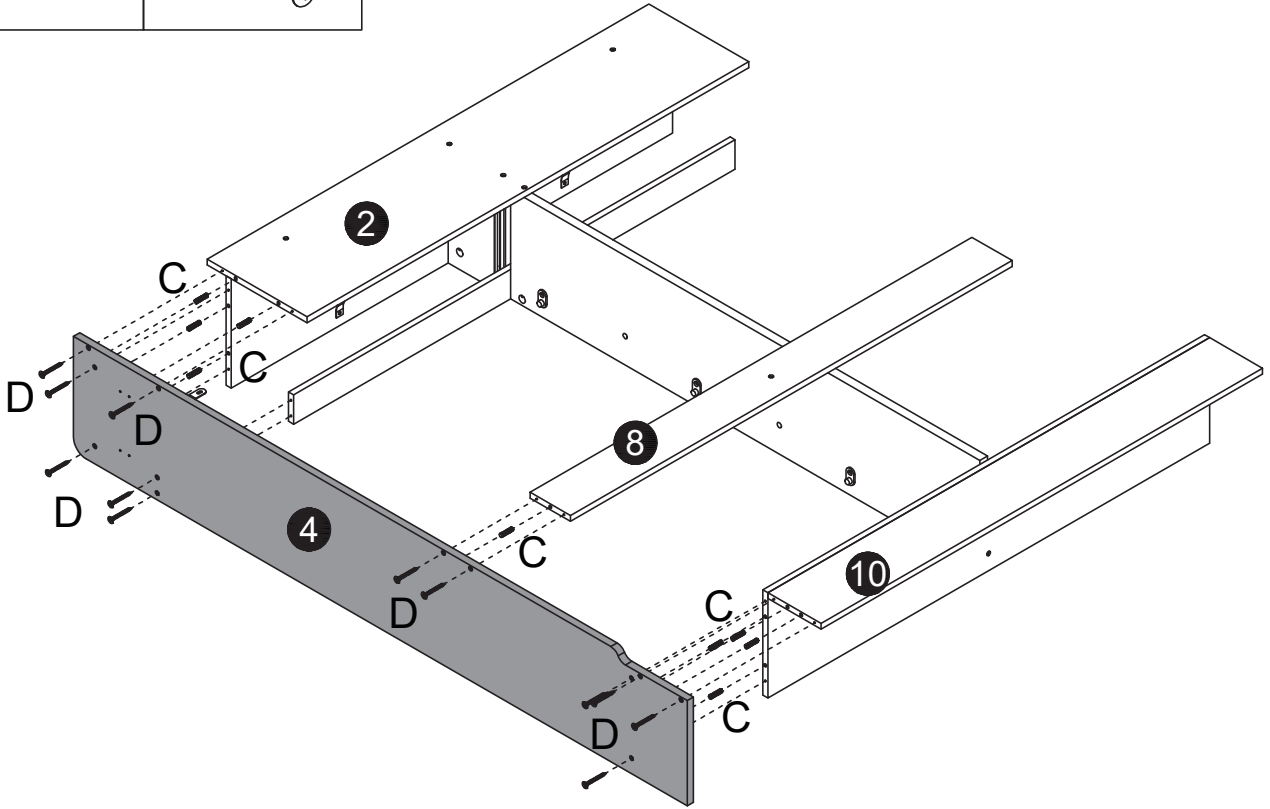
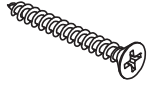
D x5





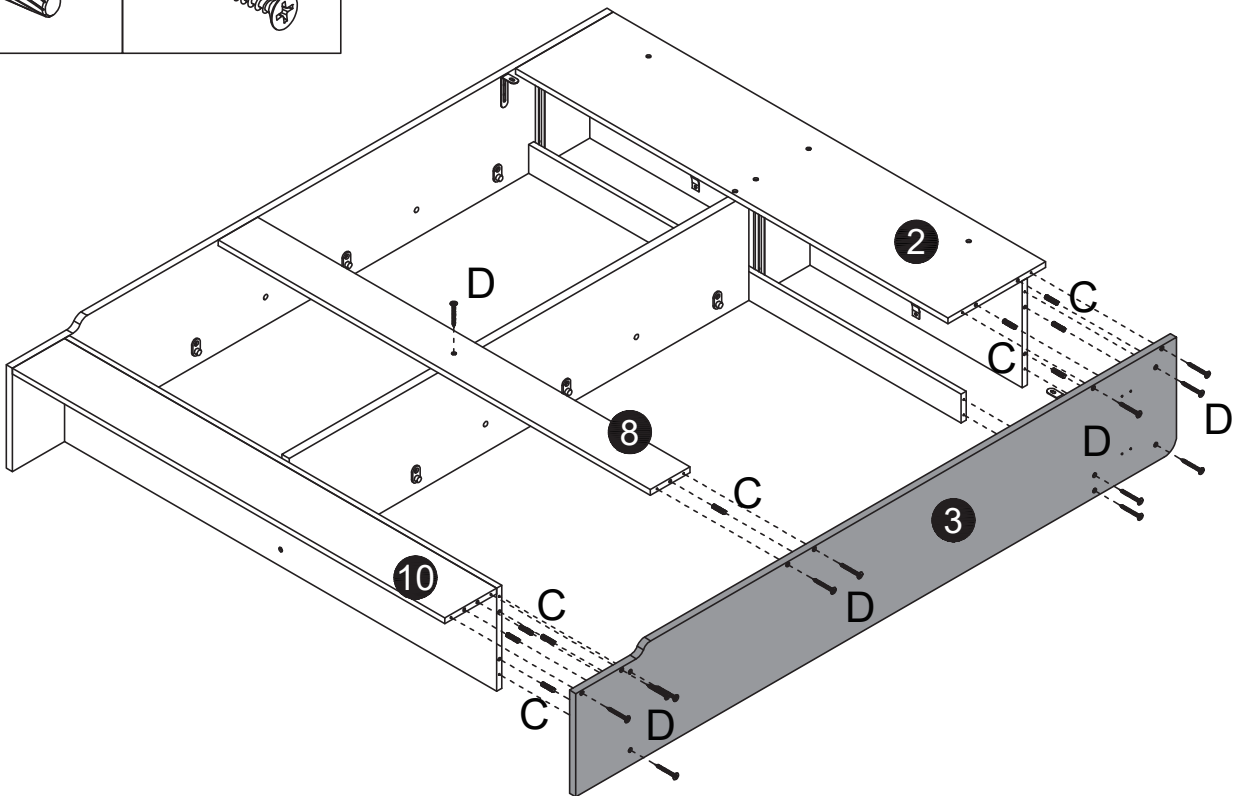
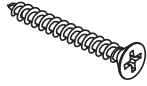
C x9

D x12



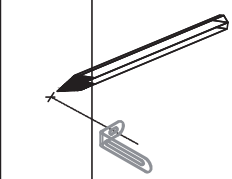
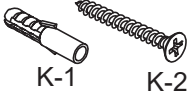
C x9

D x12



K x2

M x24



(1)x2

then, use a ruler to measure the approximate height of the product on the wall, and then mark it with a pen.

WALL

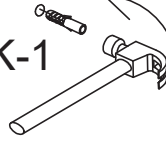


(2)x2

Then use a tape drill to make holes in the wall that are suitable for the product screws.

WALL

K-1

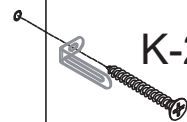


(3)x2

Then, put the expansion bolt into the hole

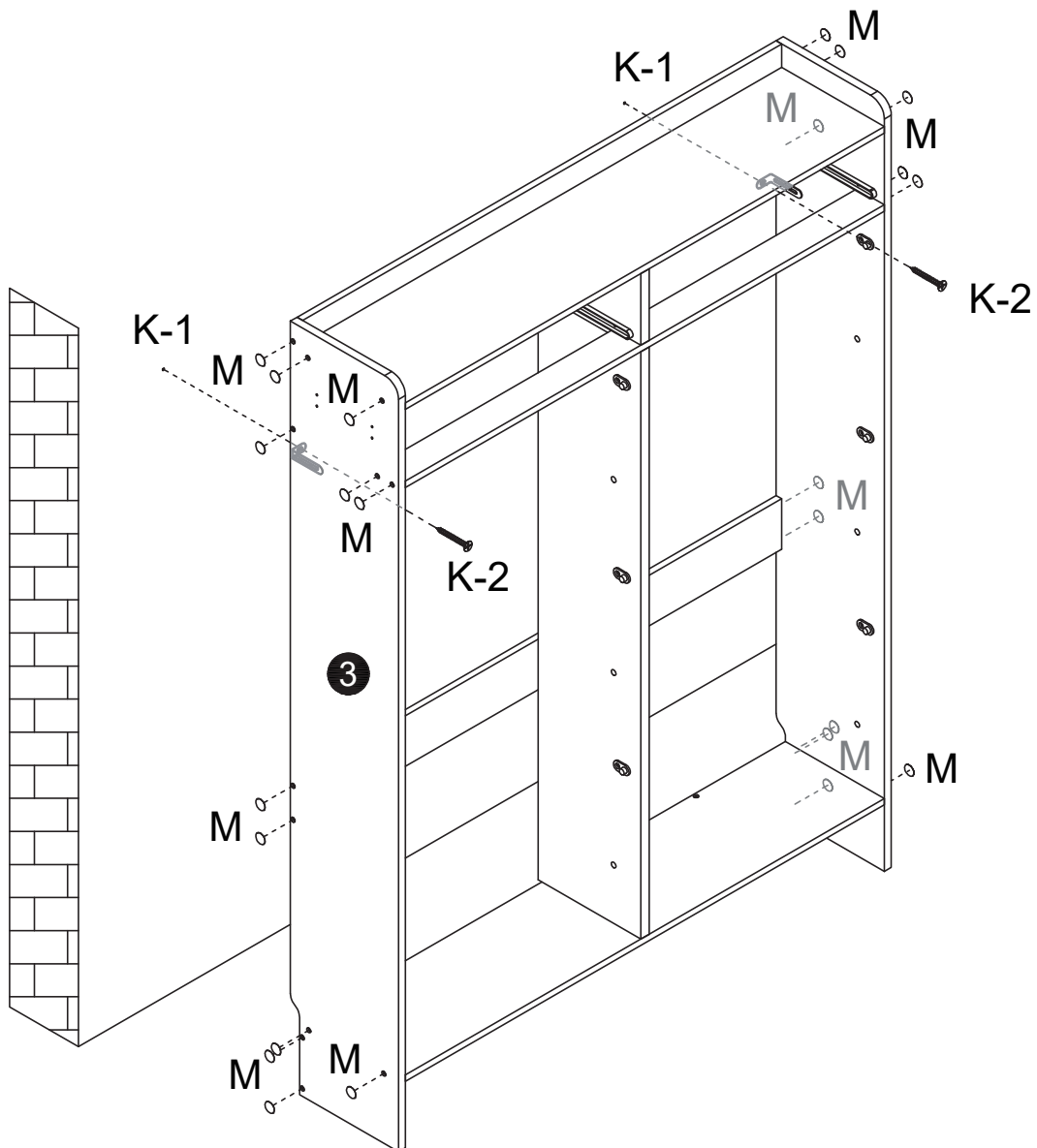
WALL

K-2



(4)x2

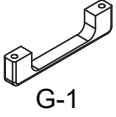
Finally, pass the matching screws through the "anti-rewind" and tighten them to fix them on the wall.



E x60



G x6

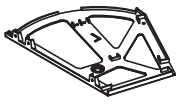


G-1

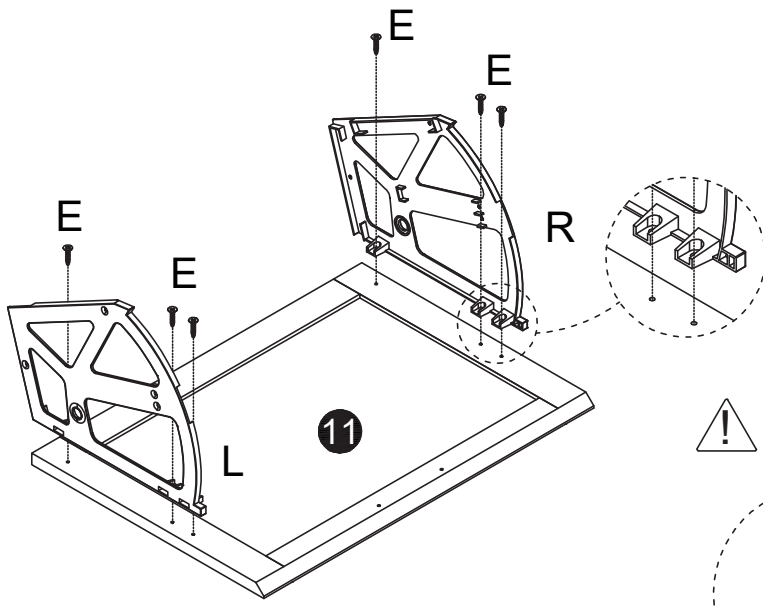
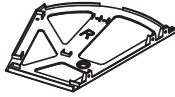


G-2

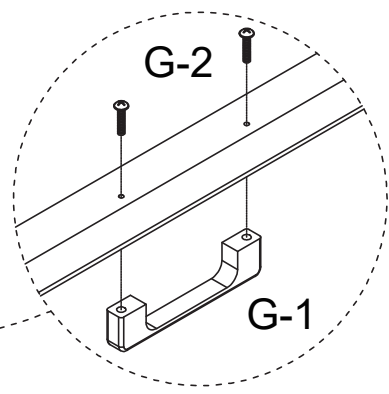
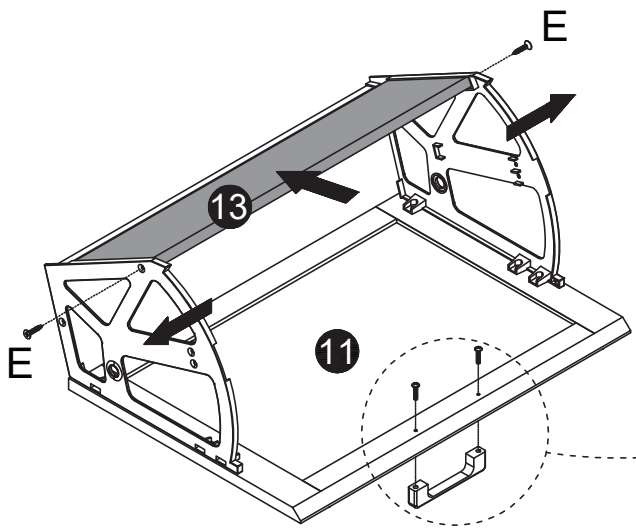
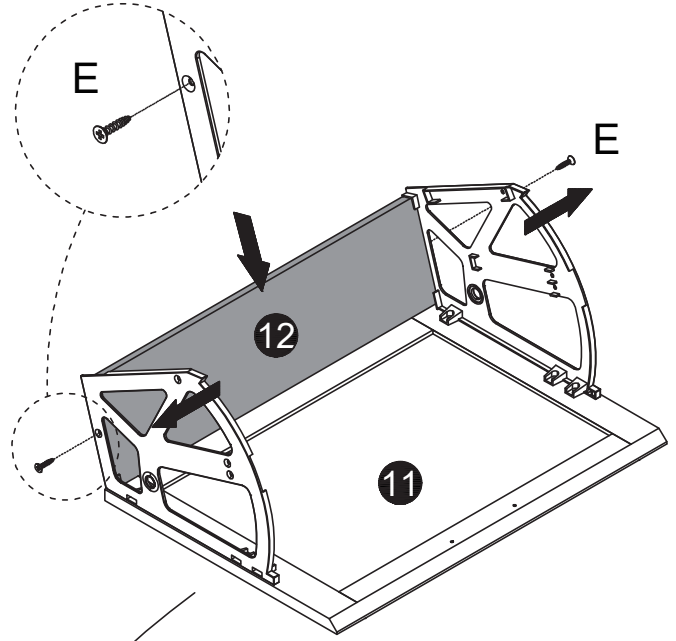
L x6



R x6



! Caution the direction of 12 !



x6



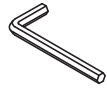
N-2



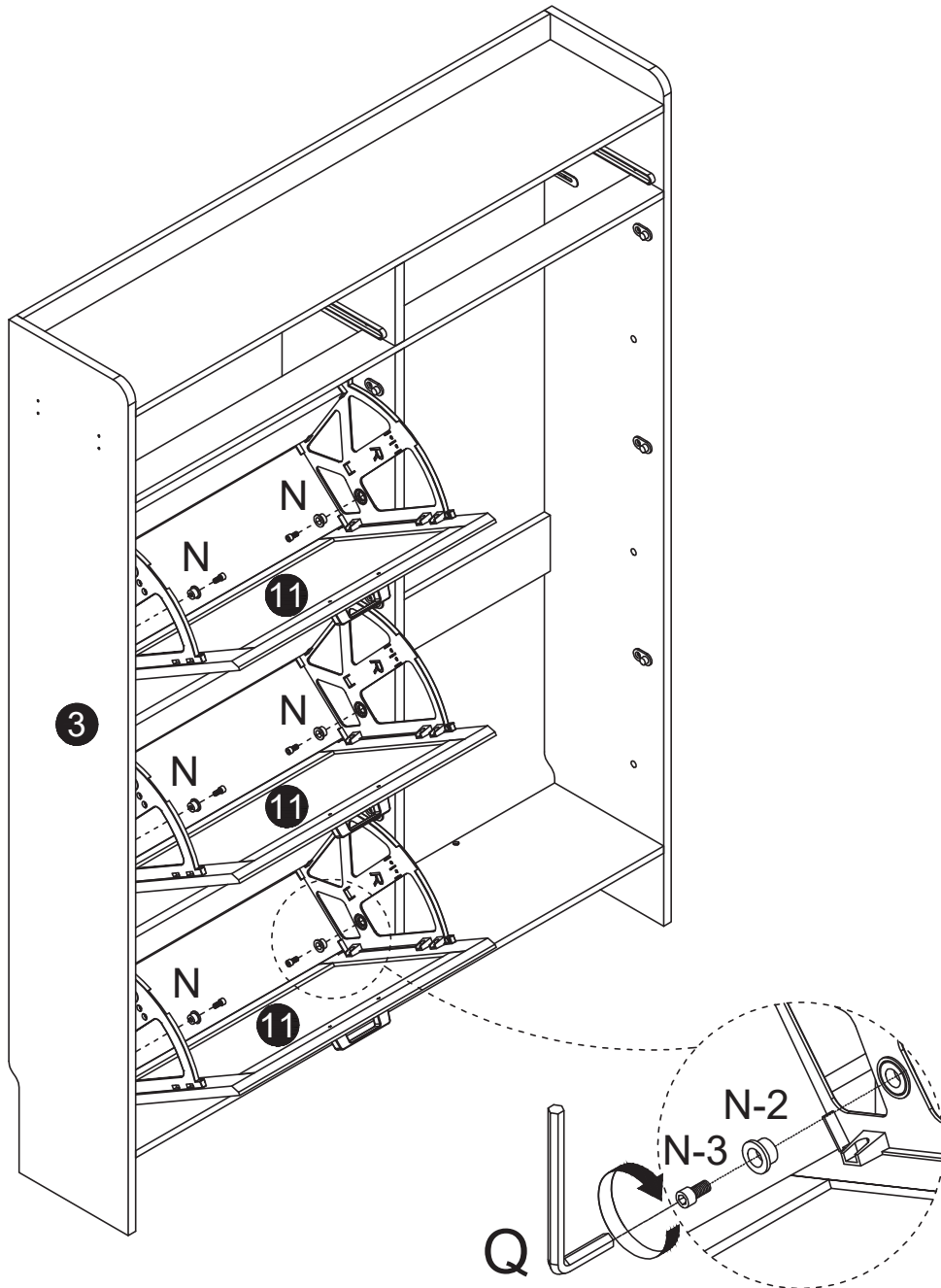
N-3

N x6

Q x1



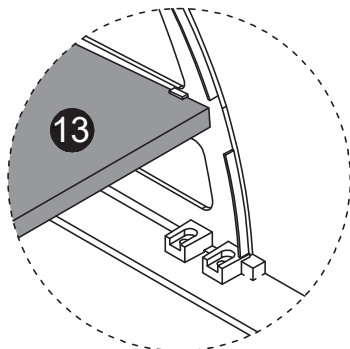
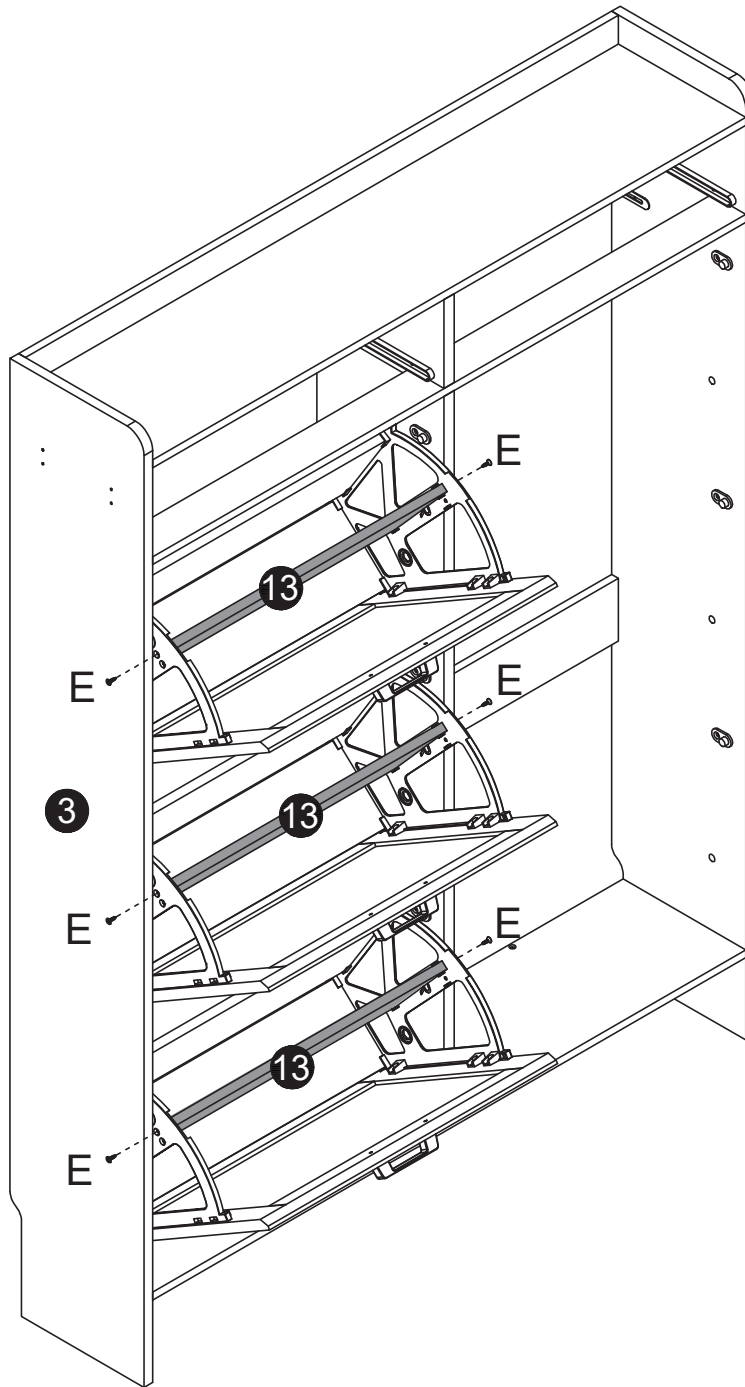
If the installation cannot be placed in the correct position, please try operating at other inclined angles.



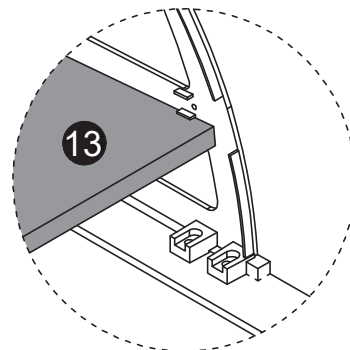
Please do not forcefully lock the installation screws to the maximum limit to avoid damaging the side panel.



Note: If the N-2 and accessories (L/R) feel a bit tight, please install the N-2 into the R or L position first, then secure the N-3.



OR





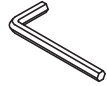
N-2



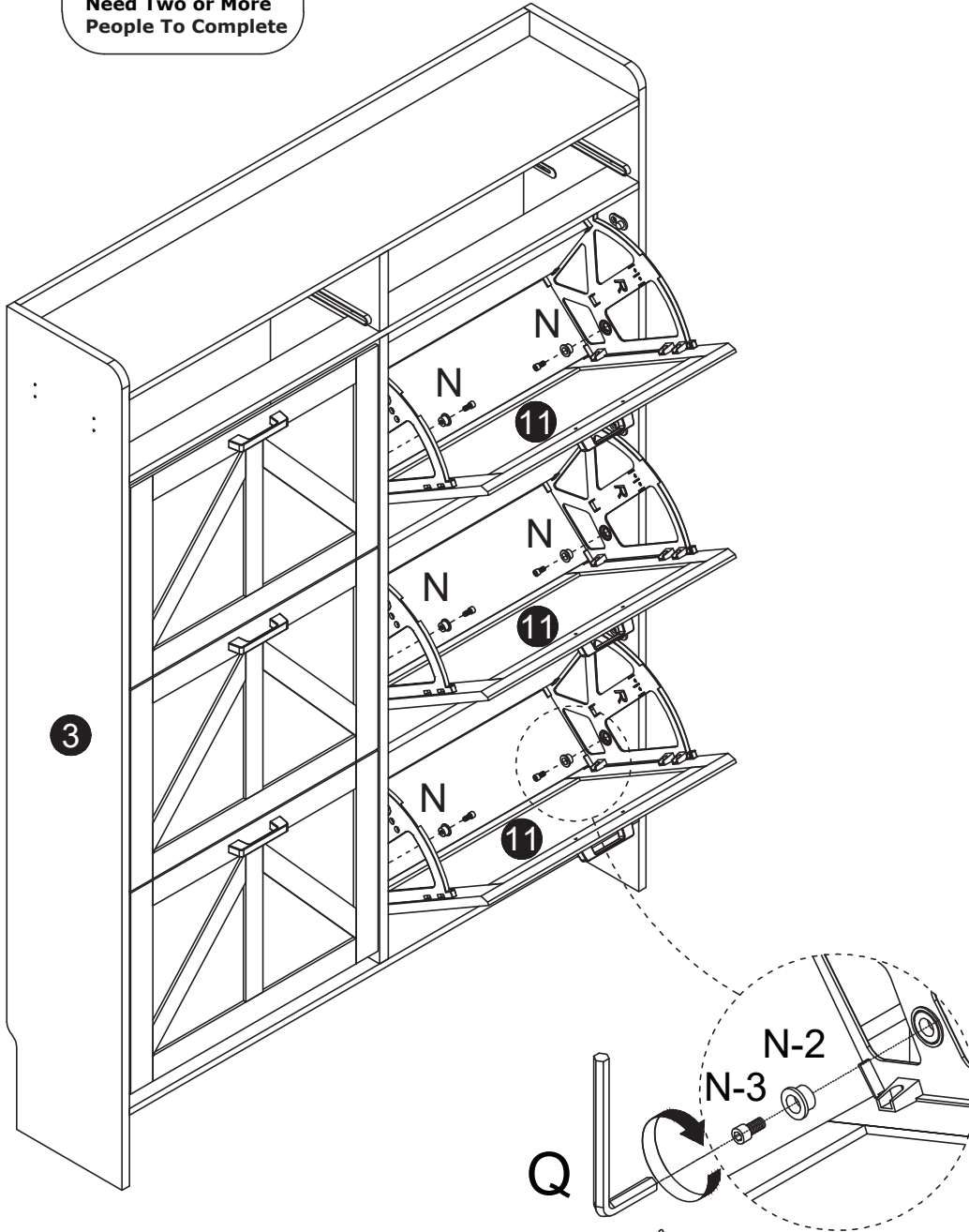
N-3

N x6

Q x1



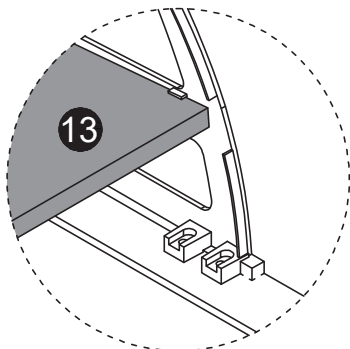
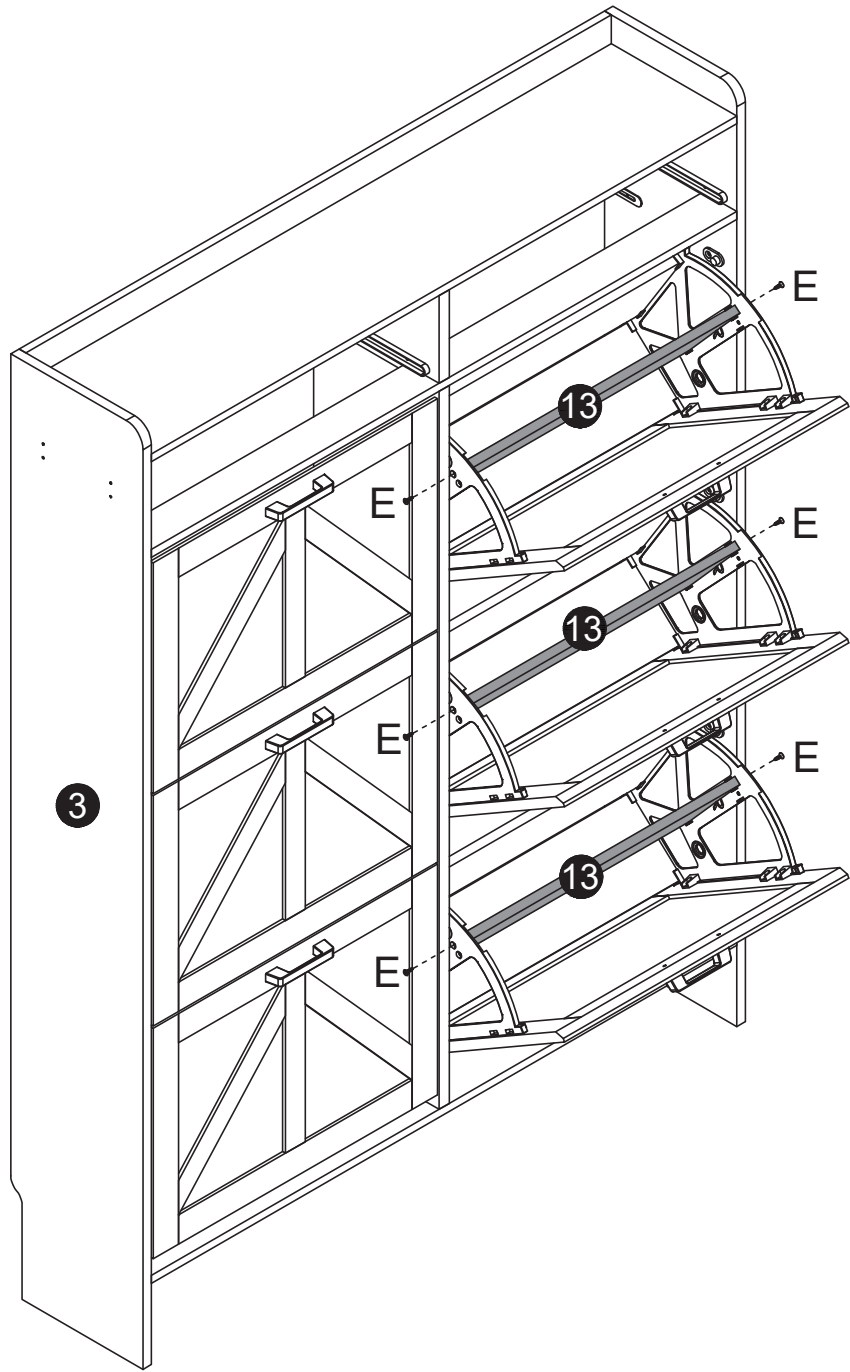
If the installation cannot be placed in the correct position, please try operating at other inclined angles.



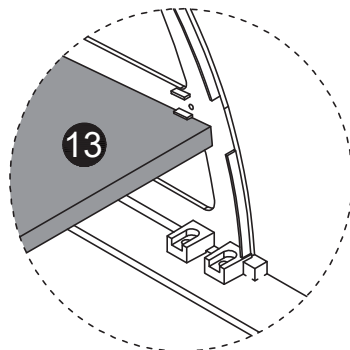
Please do not forcefully lock the installation screws to the maximum limit to avoid damaging the side panel.

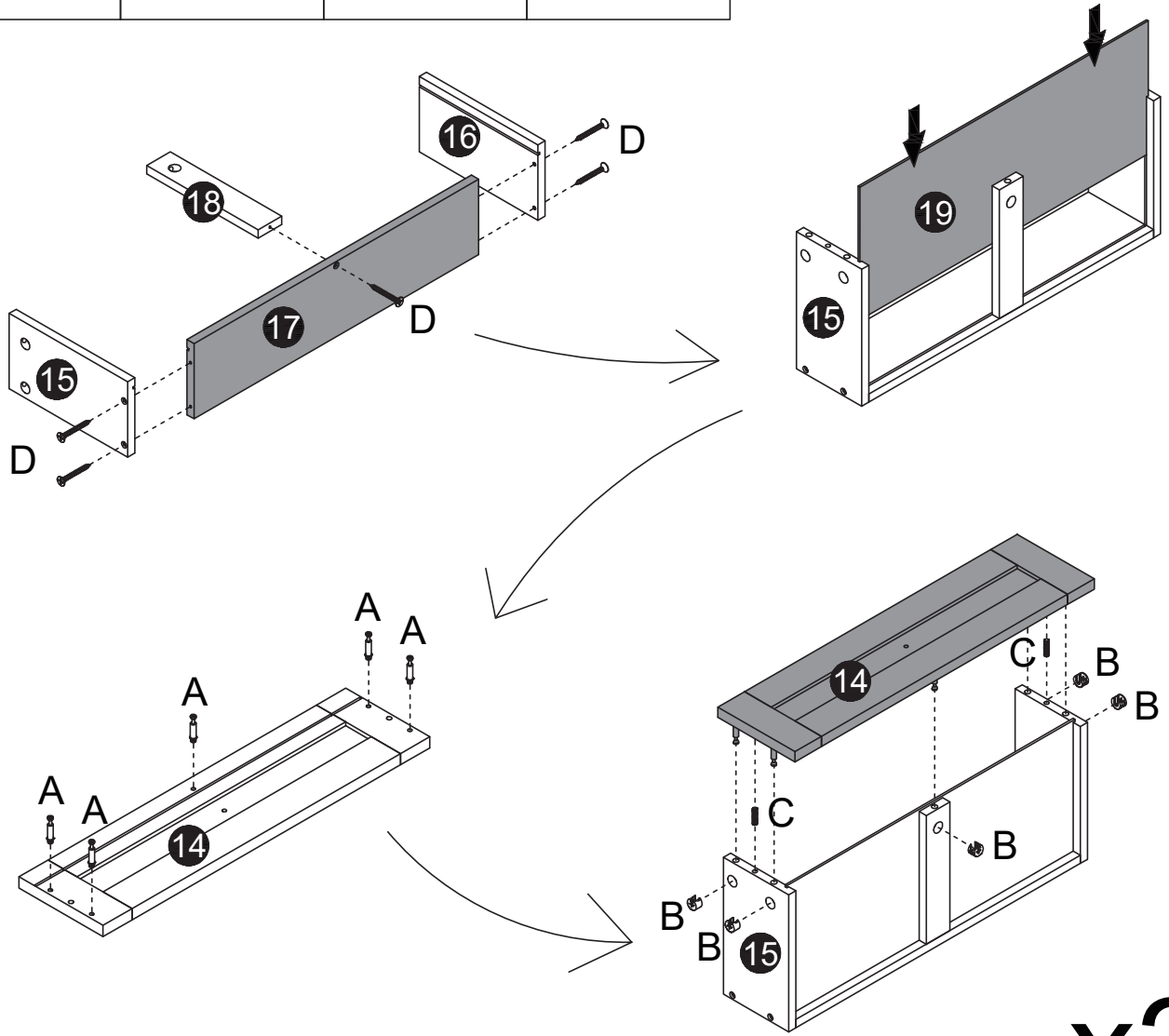
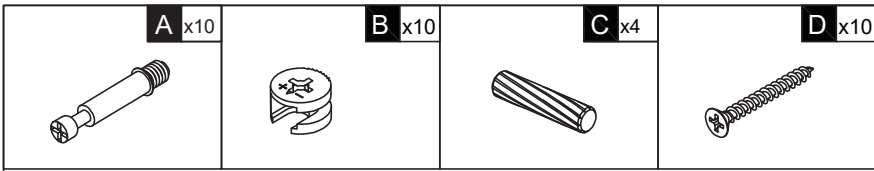


Note: If the N-2 and accessories (L/R) feel a bit tight, please install the N-2 into the R or L position first, then secure the N-3.

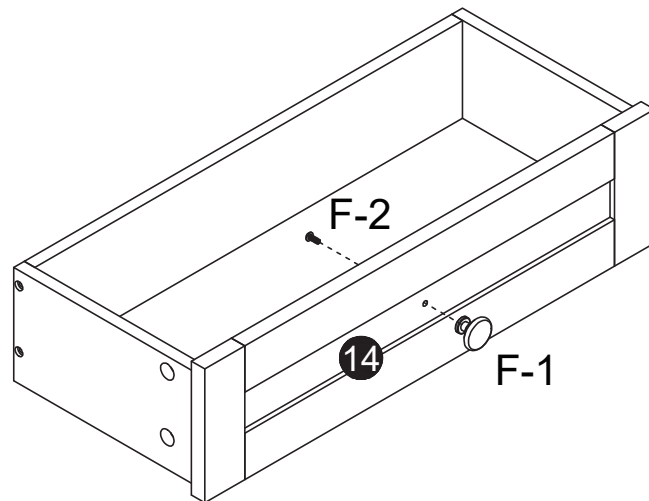
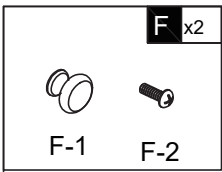


OR

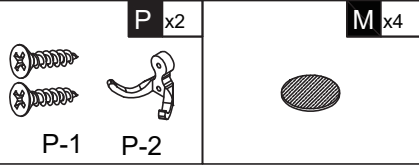




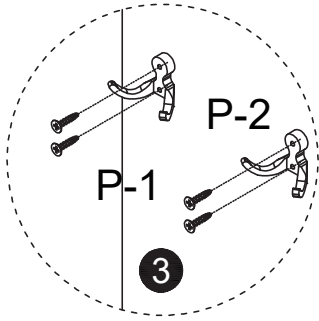
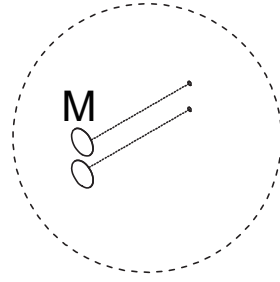
x2



x2



Component P can be freely installed on either panel 3 or panel 4. The excess holes are allowed to be covered by component M.



OR

