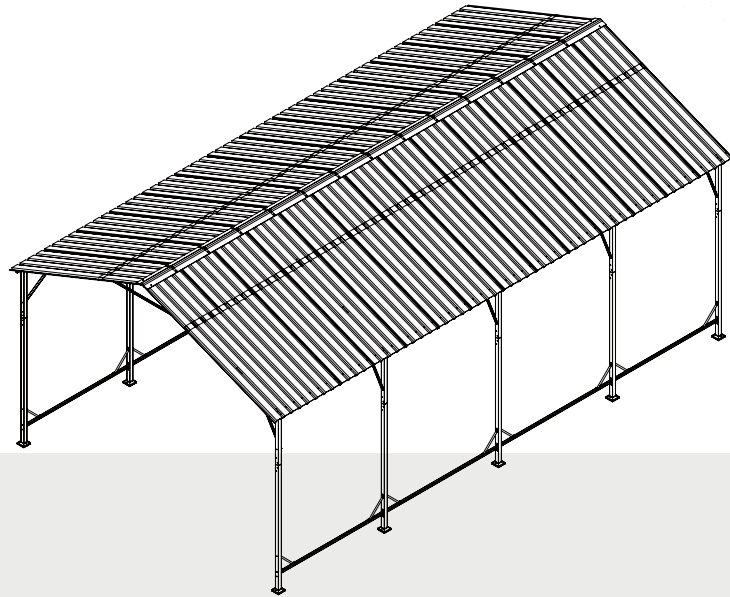



MANUAL INSTRUCTION

12*20FT ARROW CARPORT



Reach us at:

 service@kmcglobe-us.com

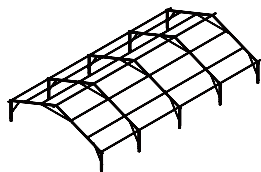
 (only us) +1 213-816-4788



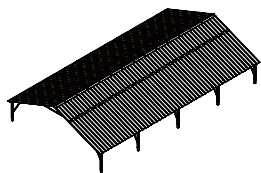
part 1: Precautions and preparations 3-5

part 2: Material list (please check before installation) 6-13

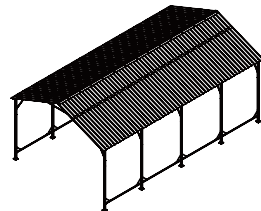
part 3: 14-25



part 4: 26-33



part 5: 34-43



part 6 44

WARNING

- four or more people are required for assembly.
- Do not erect the structure in heavy winds or inclement weather.
- This gazebo is intended for decorative and sunshade purposes only and is not designed to withstand harsh weather, including high winds, rain, and snow.
- Professional installation is highly recommended.
- In case of windy weather, please do not stand in the gazebo.
- Please do not stand under the gazebo in case of heavy snowfall.
- For safety, please use expansion screws to reinforce the posts to the ground.
- In windy weather, please tighten the fence and netting to avoid tearing in high winds.
- In extreme weather conditions, you can use a rope to pull the four corners of the gazebo to keep it stable.
- Please clear the snow off the roof in time for the heavy snowfall.
- Make sure all screws are tightened before use.
- Repeat to confirm all screws, buckles and straps every 90 days.
- Please keep all screws loose during the assembly process and tighten them after completing the installation.
- Do not use or store next to a pole with an open flame or flammable chemicals.
- Please note that some parts have sharp edges and should be handled with gloves.
- If any parts are missing, broken, damaged or worn, discontinue use of the product until repairs are made or factory replacement parts are installed.
- Installation of the product in a manner that does not conform to the manufacturer's instructions may result in the loss of the warranty policy for this product.
- Consult your local authorities to check if permits are required to erect the shed .

TOOLS REQUIRED

EQUIPMENT REQUIRED(Not included in boxes)

*NOTE:Tools / equipment are not shown to actual size and scale.



LEVEL



RUBBER Mallet



PHILLIPS SCREW



DRILL



ALLEN KEY

EQUIPMENT REQUIRED(Not included in boxes)

*NOTE:Equipment are not shown to actual size and scale.



SAFETY HAT



GLOVES



SAFETY GOGGLES



STEPLADDER
(6.5ft Or More)

Matters needing attention



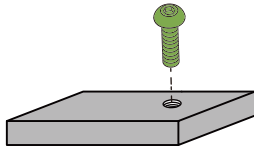
Four or more people are required for assemble



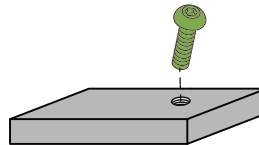
Do not fully tighten screws prior to complete assembly

INSTALLATION PRECAUTIONS

Right



Wrong






*The screws need to be aligned with the hole when installing.

*If the screw cannot be tightened ,please do not tight forcely ,as this may cause damage to the threaded hole.The correct way is to withdraw the screw and adjust to the right angle ,and try to tighten the screw again.

Part 2: Material list





(please check before installation)

Parts list

<input checked="" type="checkbox"/>	
<input checked="" type="checkbox"/>	
<input type="checkbox"/>	
<input type="checkbox"/>	

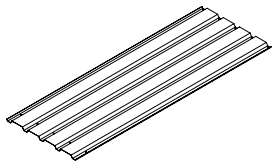
P9-P10

Hardware list

<input checked="" type="checkbox"/>	
<input checked="" type="checkbox"/>	
<input type="checkbox"/>	
<input type="checkbox"/>	

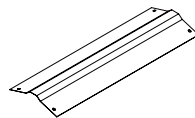
P6-P8

PARTS



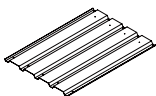
L=465 × 1300mm

WP41 × 28



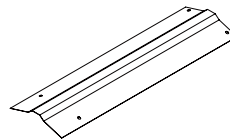
150 × 452mm

JC05 × 12



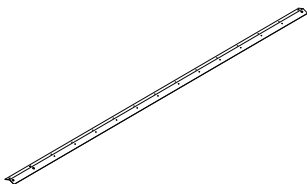
L=465 × 645mm

WP46 × 28



150 × 512mm

JC06 × 1



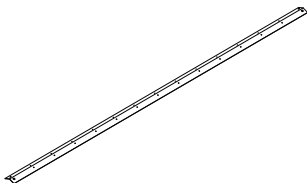
L=50 × 1.2 × 1532mm

JC01 × 2



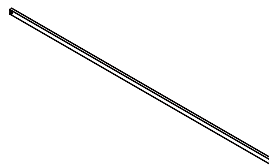
10 × 18 × 605mm

GC02 × 10



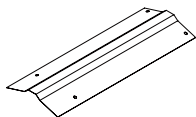
L=50 × 1.2 × 1532mm

JC02 × 2



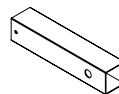
10 × 18 × 1195mm

GC04 × 5



150 × 405mm

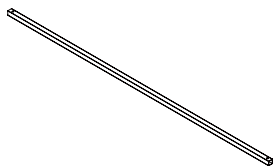
JC04 × 1



20 × 20 × 98mm

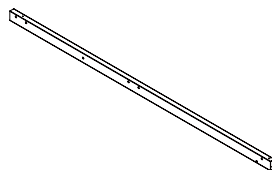
GC06 × 4

PARTS



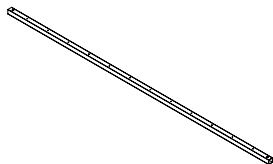
20×20×1374mm

GC09 × 4



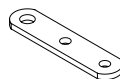
40×20×1280mm

GC22 × 10

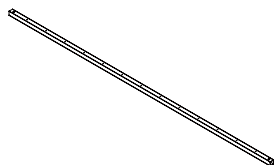


20×20×1374mm

GC12 × 8

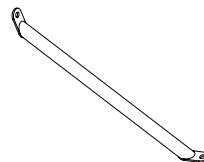


GC33 × 10



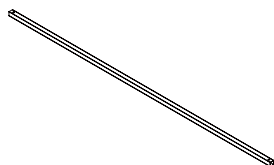
20×20×1482mm

GC13 × 8



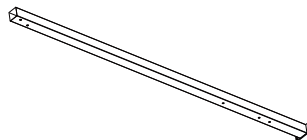
φ 13×290mm

GC34 × 16



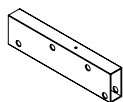
20×20×1482mm

GC15 × 4



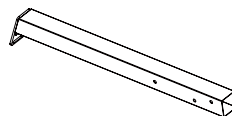
40×40×1450mm

GC35 × 10



37×17×150mm

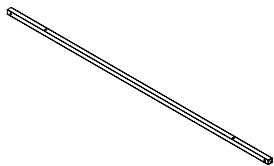
GC19 × 10



40×40×550mm

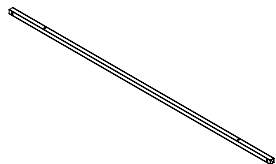
GC36 × 10

PARTS



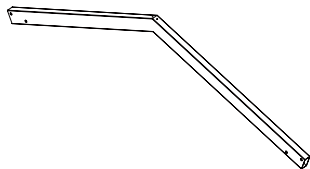
20 × 20 × 1349mm

GC37 × 4



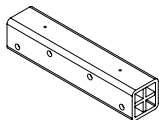
20 × 20 × 1457mm

GC38 × 4



40 × 20 × 1160mm

GC39 × 5



38 × 38 × 180mm

SJ01 × 10



SJ02 × 32



× 2

HARDWARE



M4×10mm

F1 × 143



WJ06 × 254



M4×10mm

F2 × 8



M6×15mm

WJ15 × 20



M4×16mm

F5 × 234



M6×25mm

WJ25 × 68

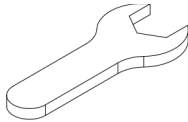


WJ-0 × 360



M6×30mm

WJ30 × 10

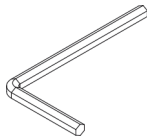


WJ01 × 1



M6×35mm

WJ35 × 32



WJ02 × 2



M6×40mm

WJ40 × 64

HARDWARE



M6 × 50mm

WJ50 × 40



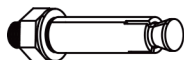
M6 × 55mm

WJ55 × 12



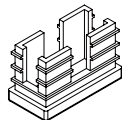
M6 × 60mm

WJ60 × 28

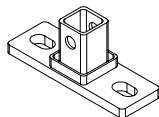


M6 × 80mm

WJ80 × 20



SJ03 × 10

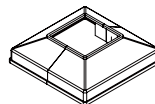


SJ04 × 68



22.9*

SJ05 × 1



SJ06 × 10



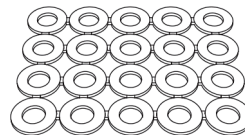
SJ07 × 254



SJ08 × 274



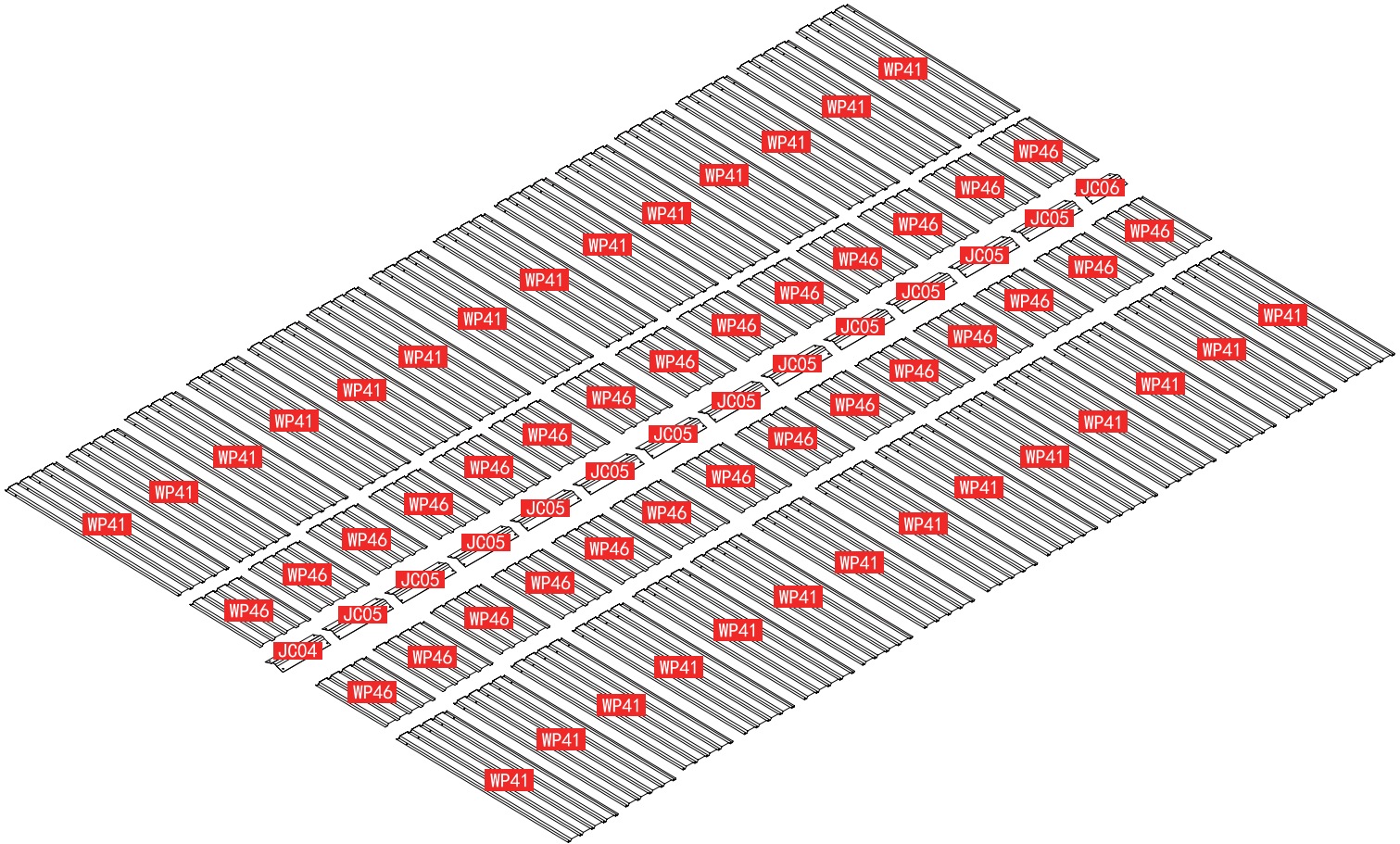
V1 × 130

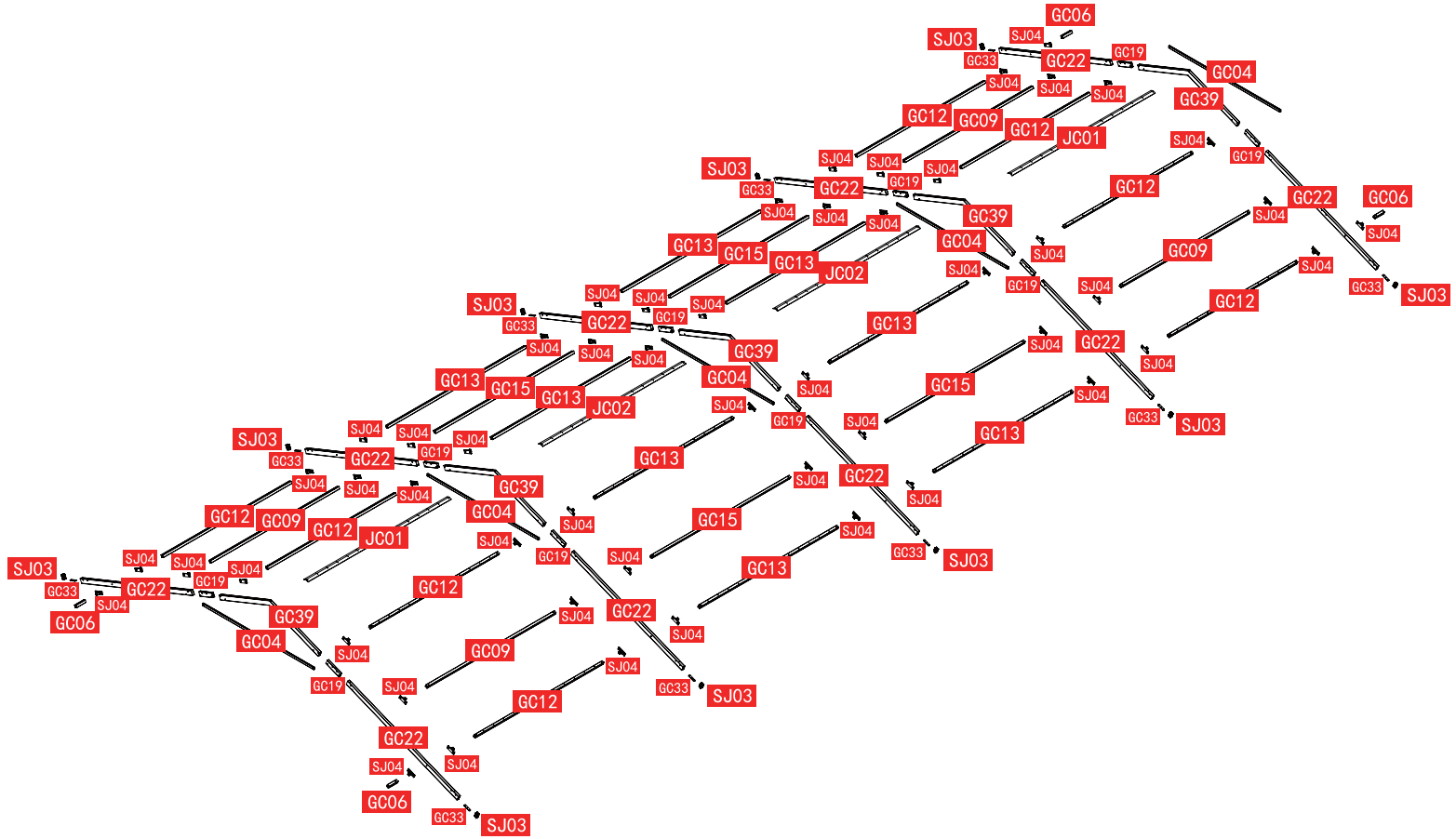


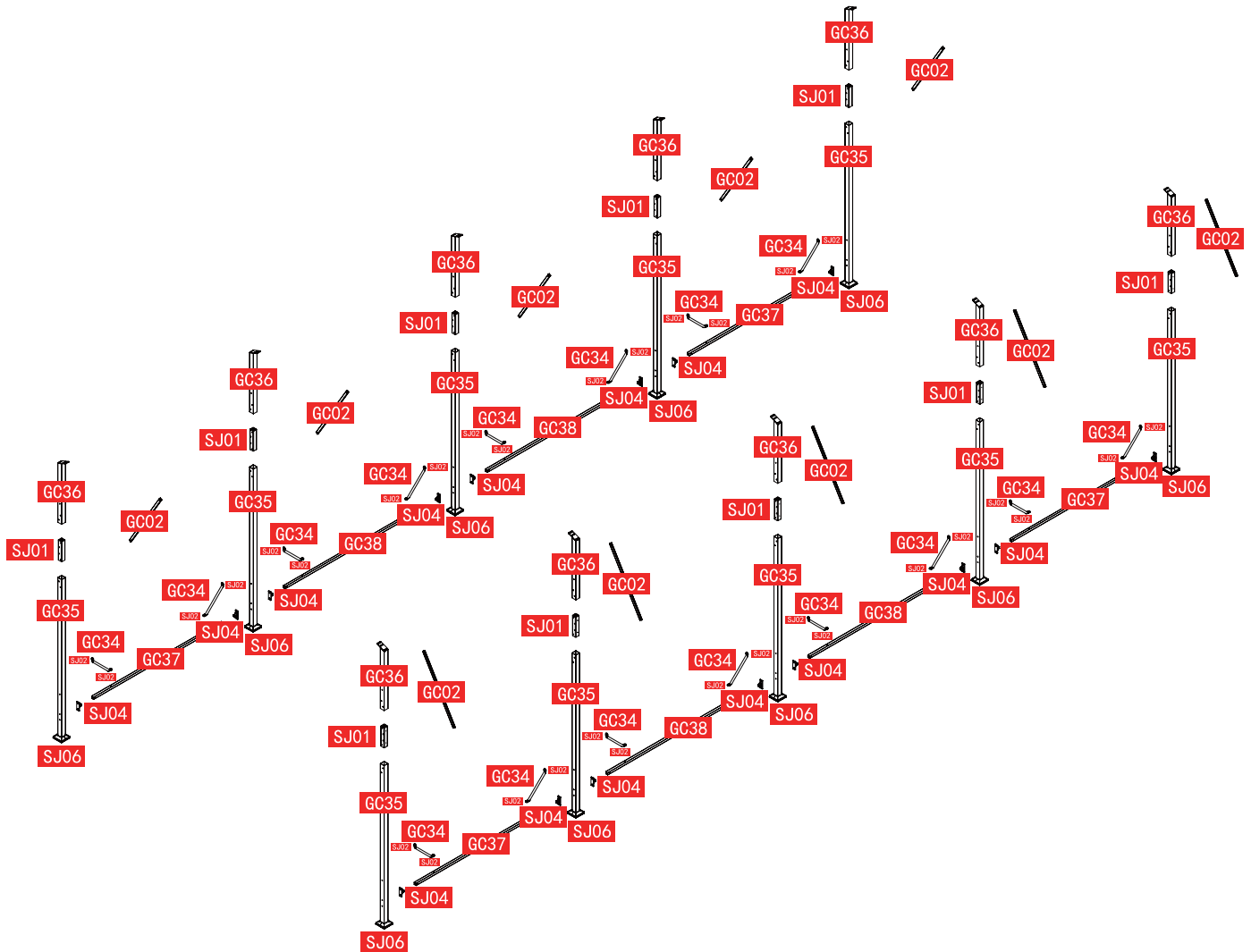
V3 × 385



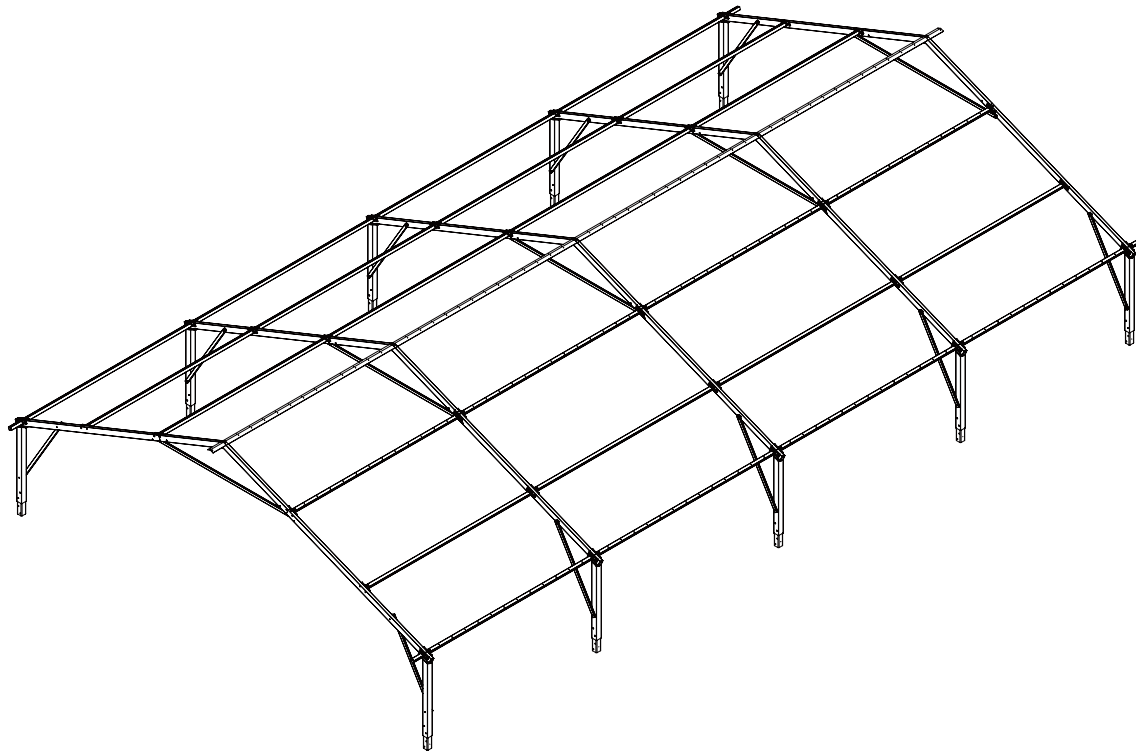
WJ03 × 20



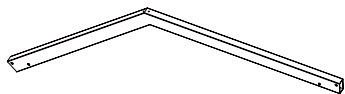




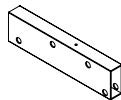
Part 3



1



GC39 × 5



GC19 × 10



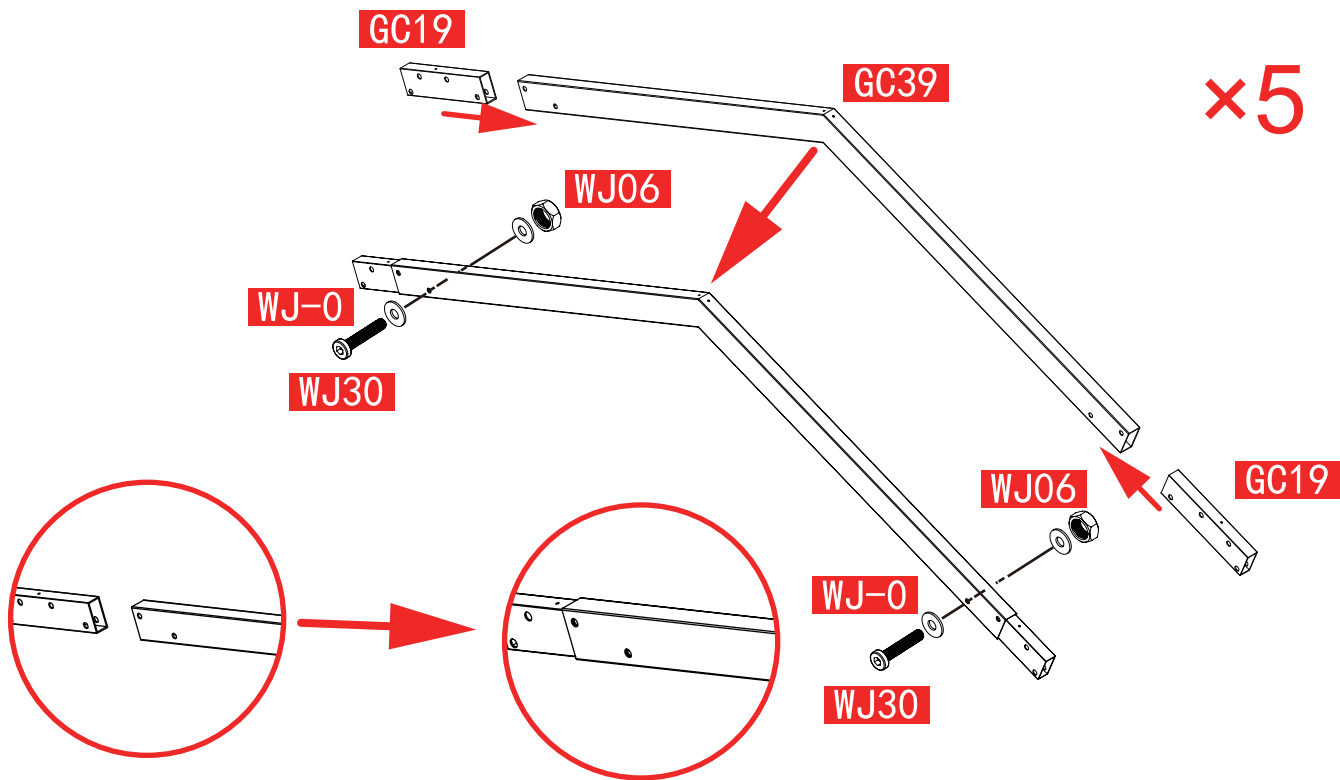
WJ30 × 10



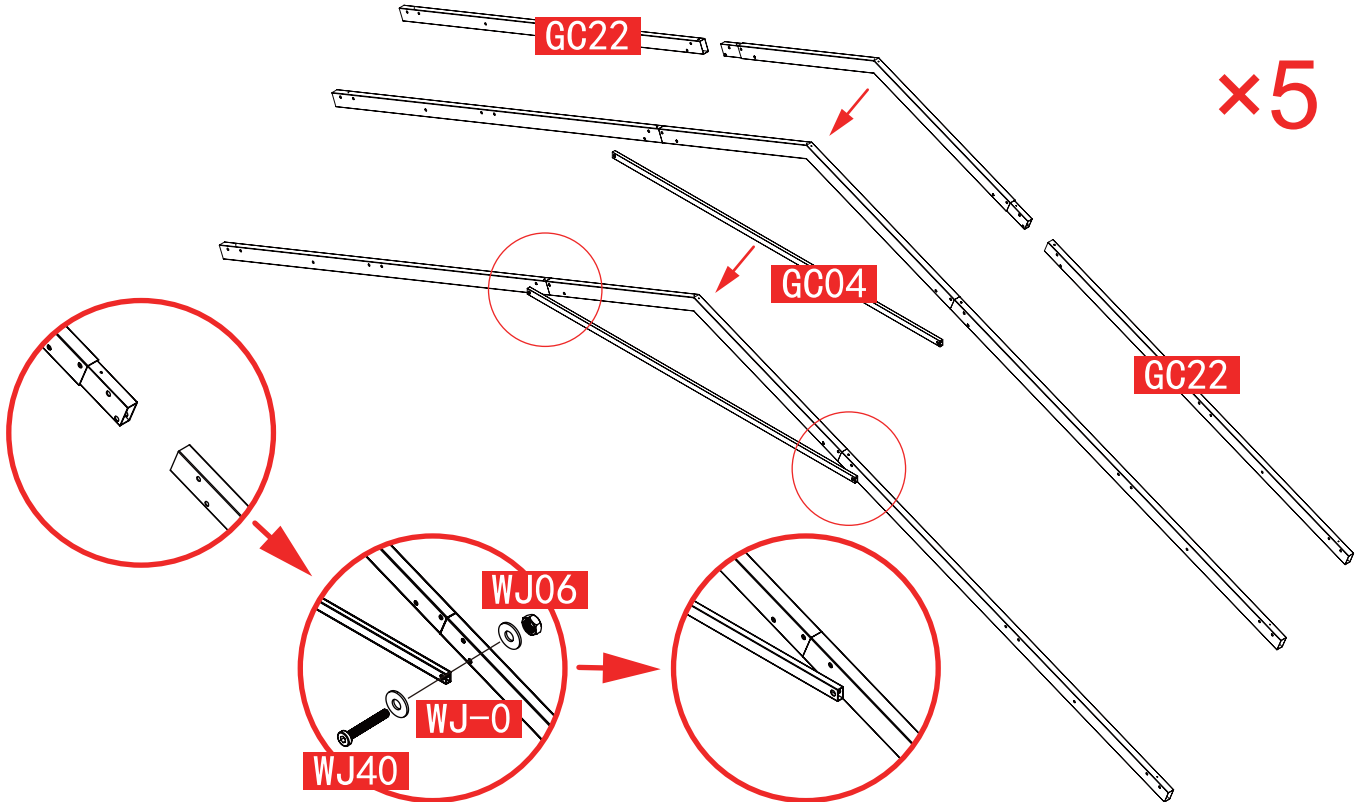
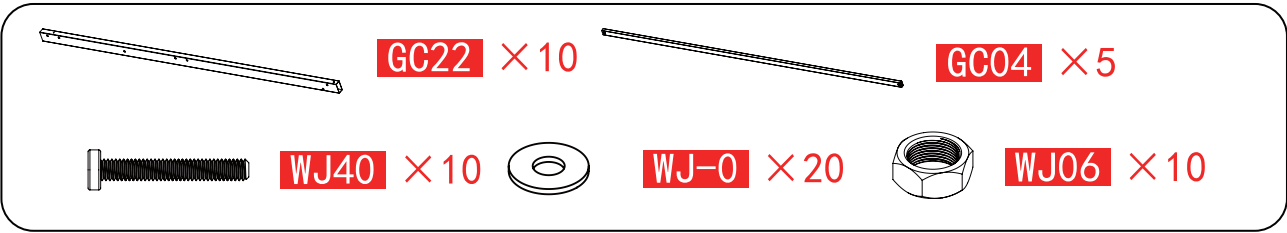
WJ-0 × 20



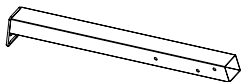
WJ06 × 10



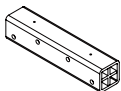
2



3



GC36 × 10



SJ01 × 10



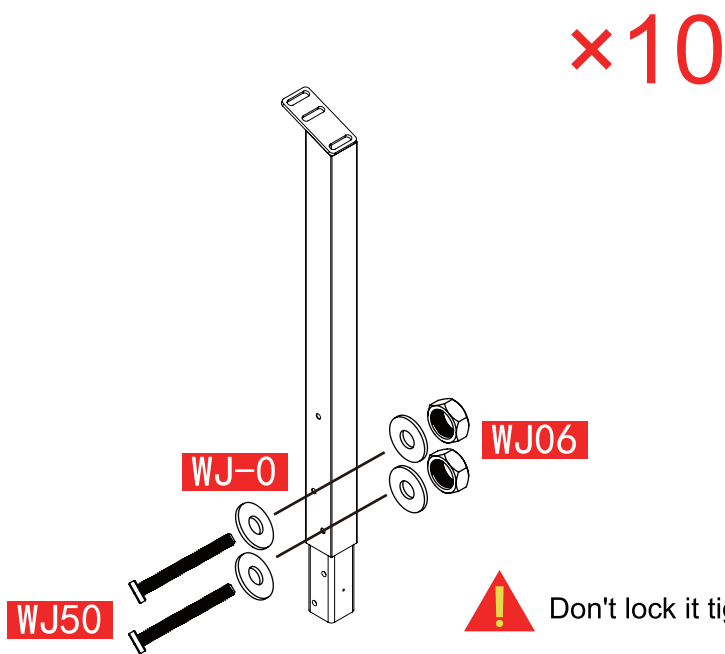
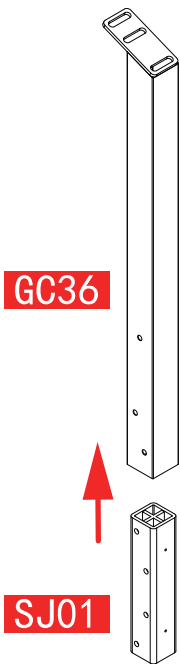
WJ50 × 20



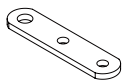
WJ-0 × 40



WJ06 × 20



4



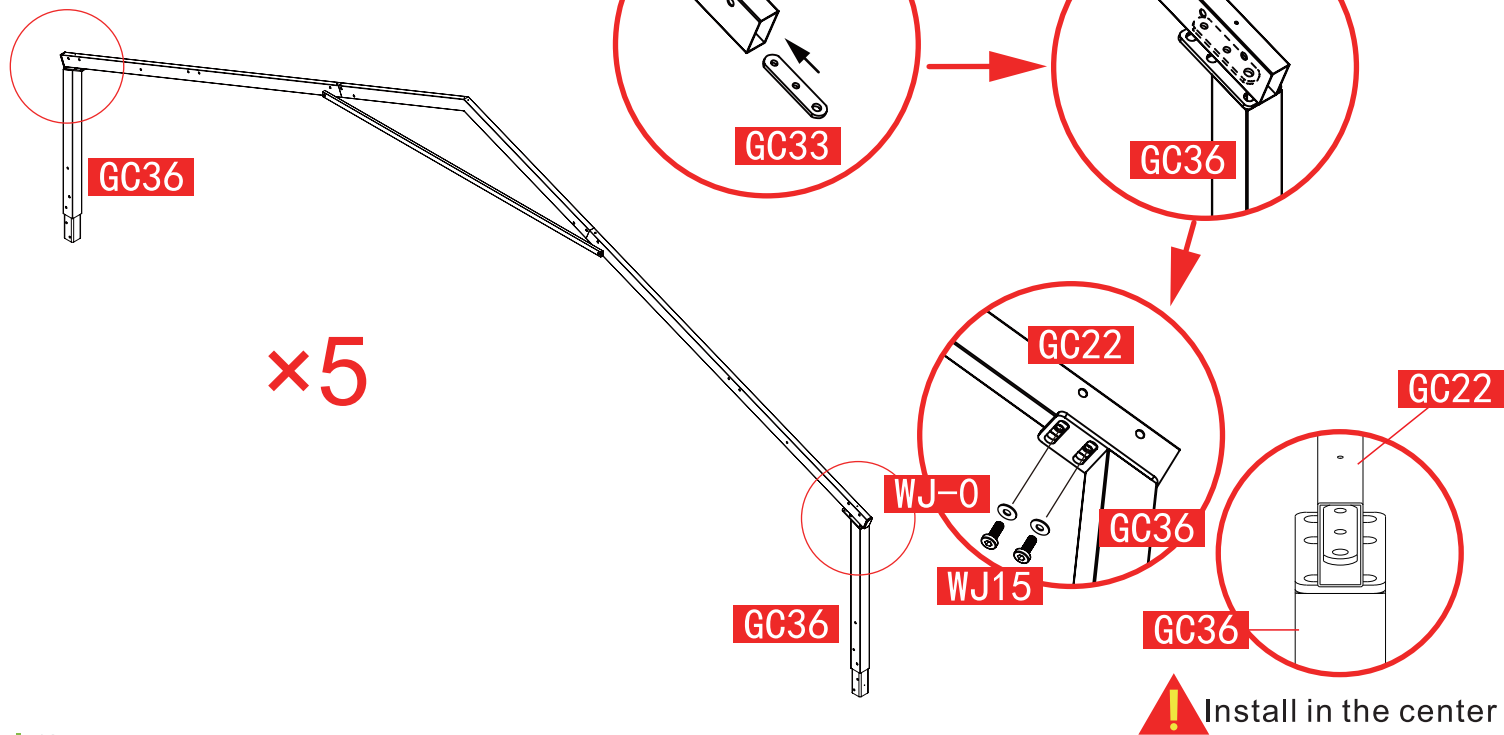
GC33 × 10



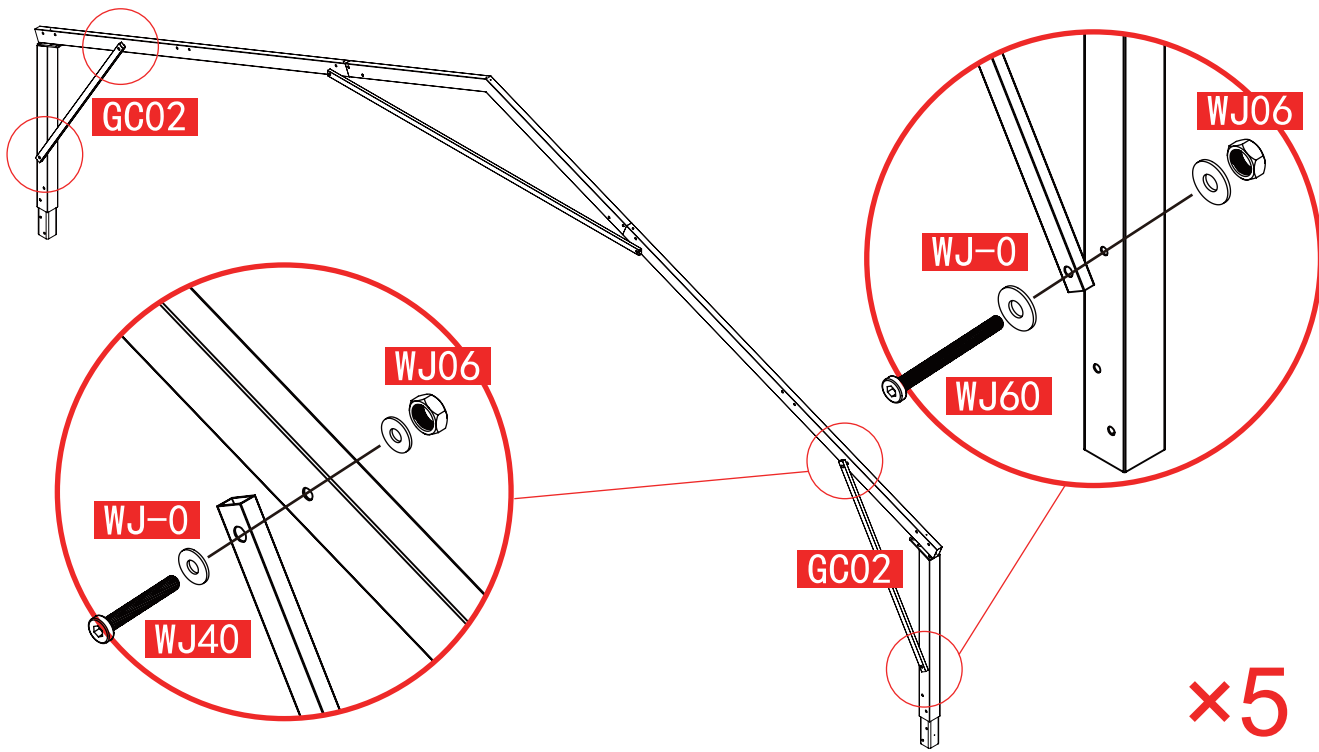
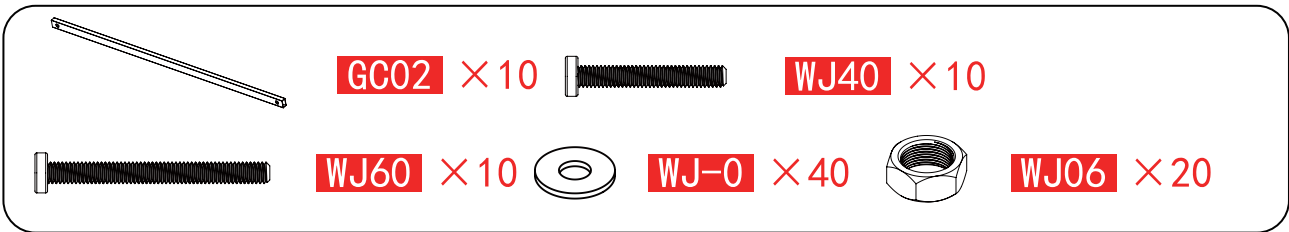
WJ15 × 20



WJ-0 × 20



5



6



SJ04 × 16



WJ35 × 16



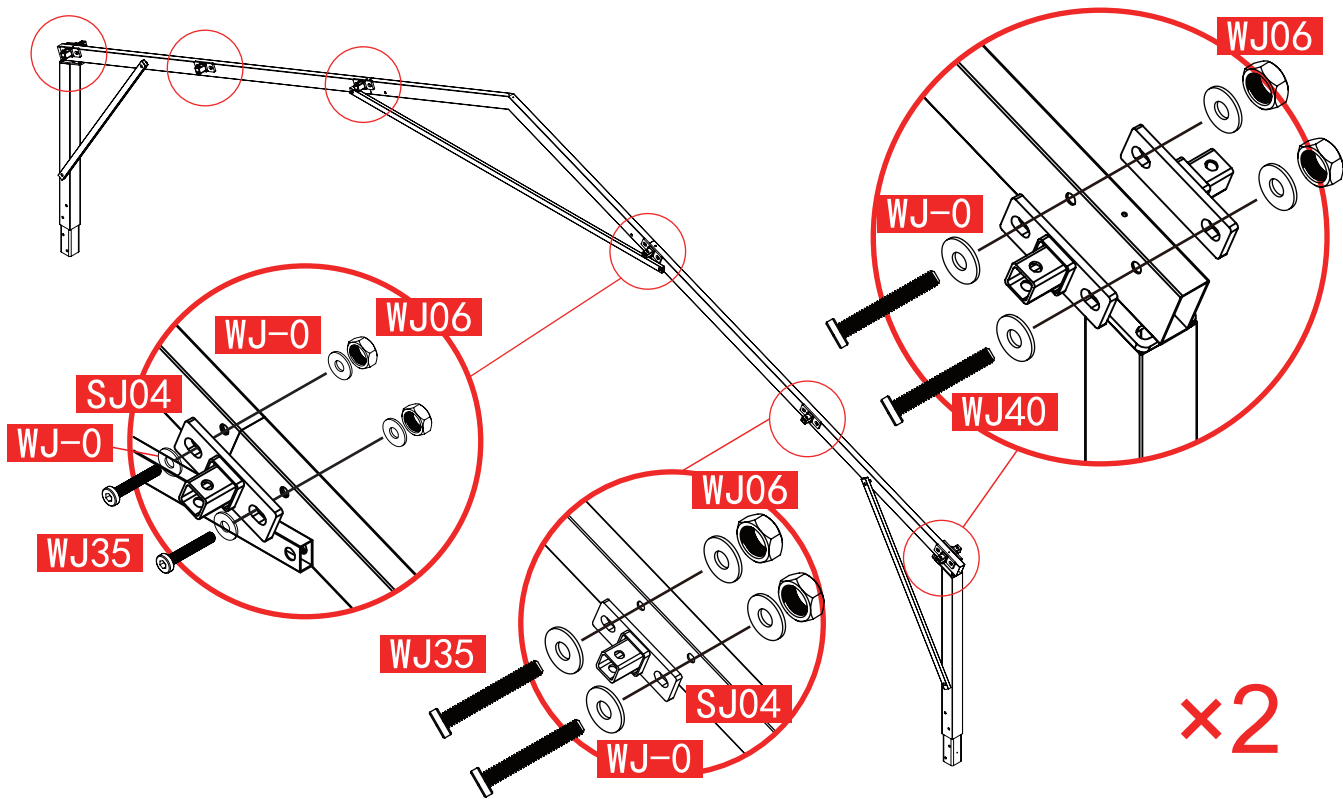
WJ40 × 8

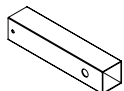


WJ-0 × 48

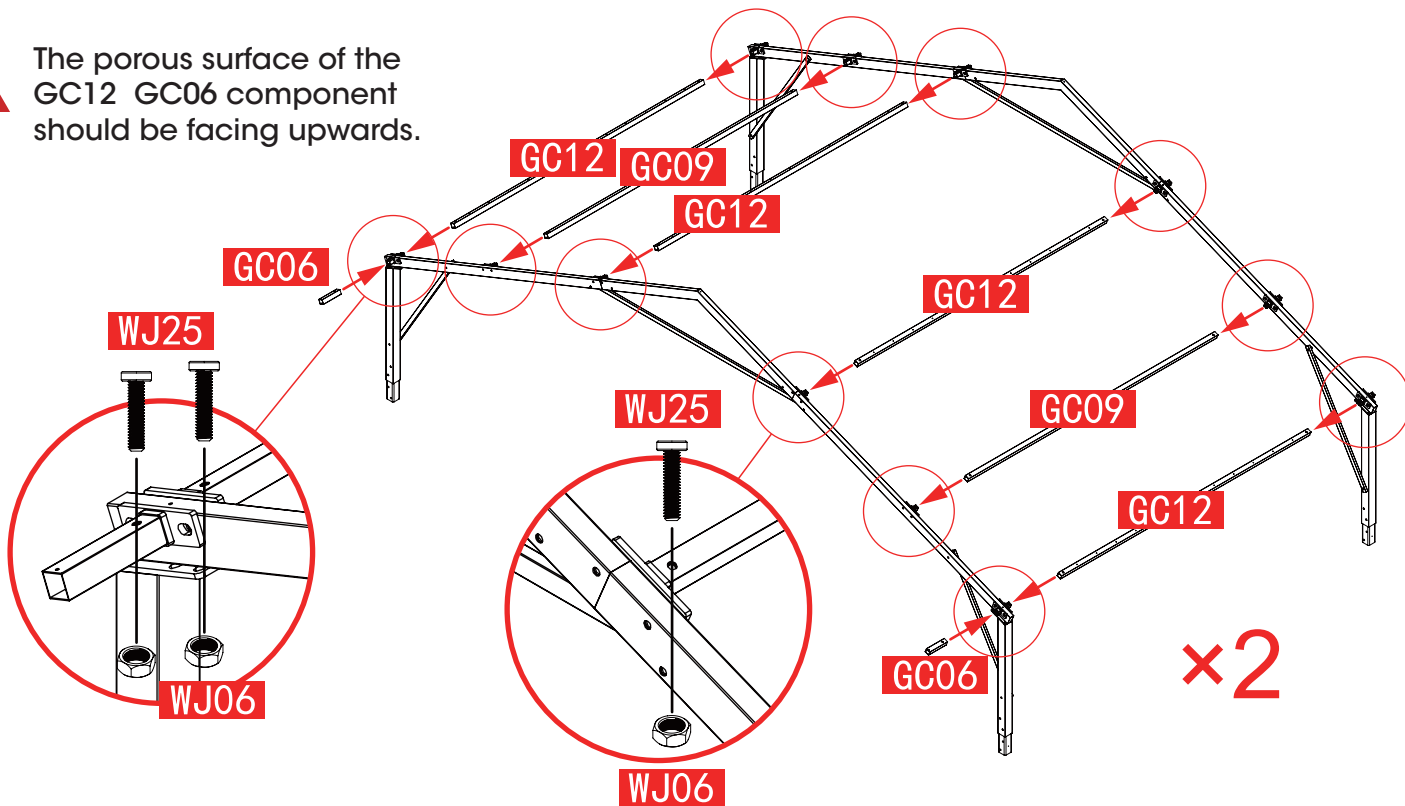


WJ06 × 24

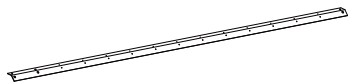


8**GC09** × 4**GC12** × 8**GC06** × 4**WJ25** × 28**WJ06** × 28

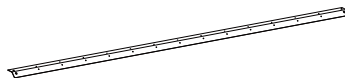
The porous surface of the GC12 GC06 component should be facing upwards.



10



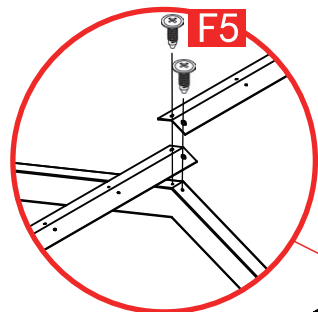
JC01 × 2



JC02 × 2

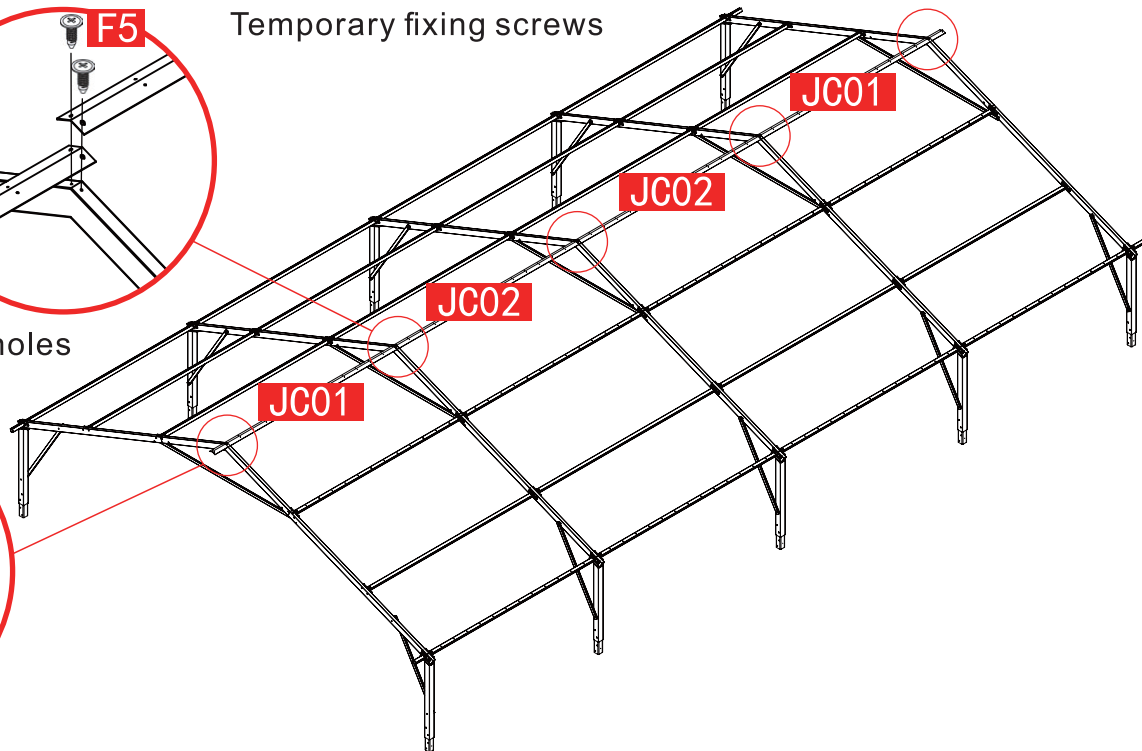
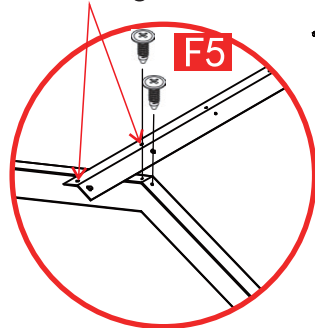


F5 × 10



Temporary fixing screws

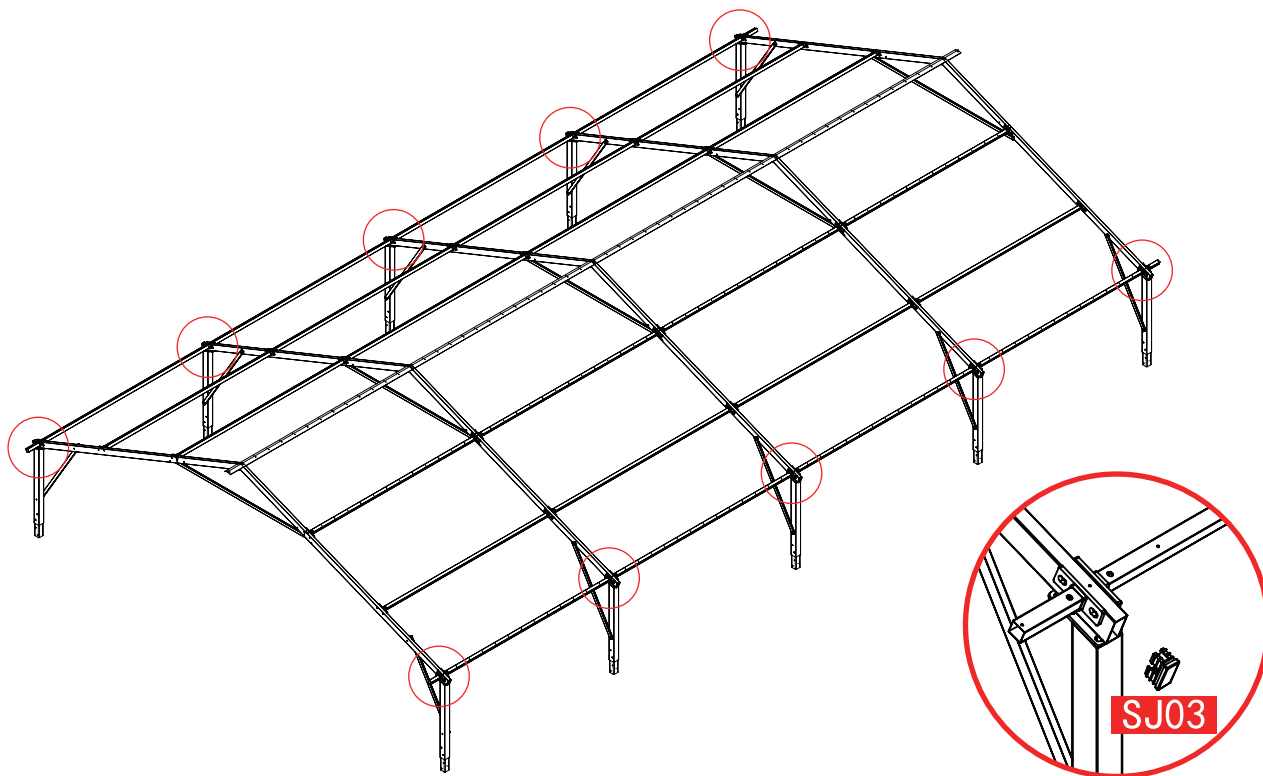
! With four large holes facing outward



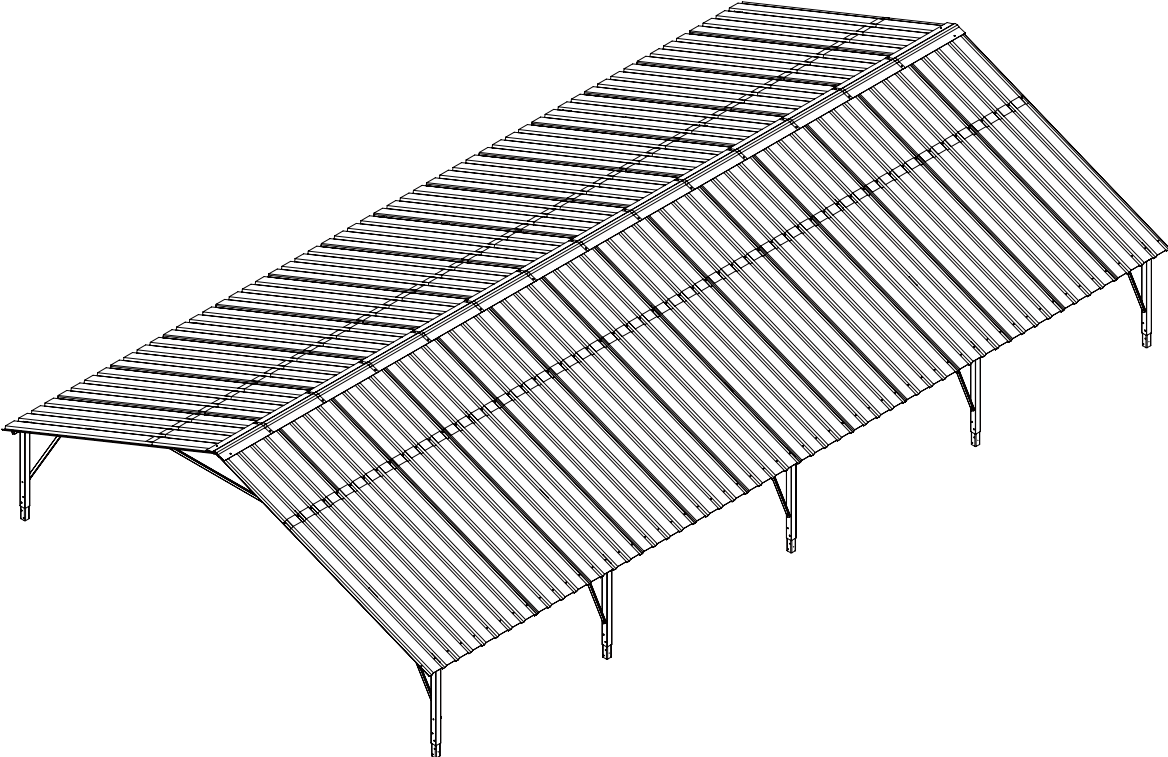
11

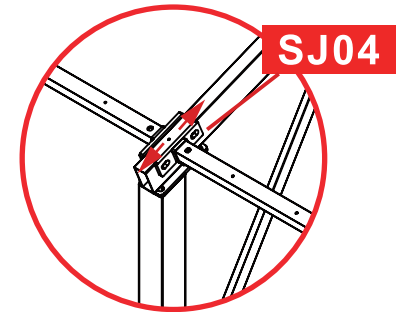
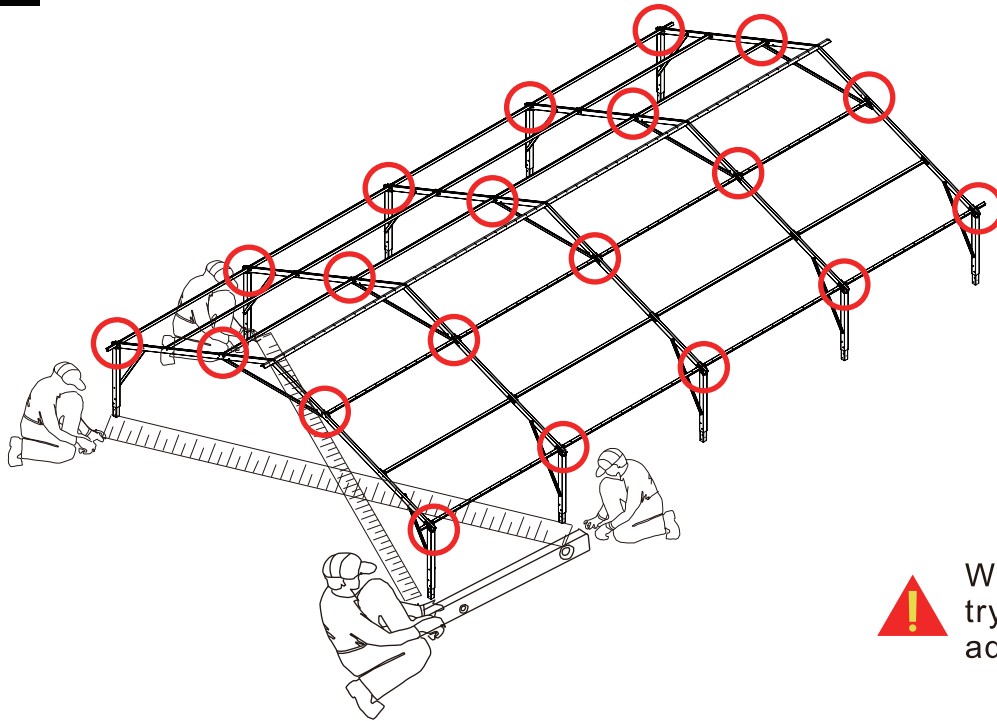


SJ03 × 10



Part 4





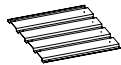
When installing the ceiling, try to align the holes by adjusting the SJ04 component.

1. Please measure the diagonals. When the diagonal measurements are equal, the frame is square, which allows for easier ceiling installation.
2. The frame **MUST** be perfectly square and level, or the holes will fail to line up correctly.
3. If step 1) and step 2) have been completed perfectly but the screw holes still do not align, please attempt manual drilling. Ensure the drilling tool remains perpendicular to the roof surface and operate at a slightly slower pace to prevent screws from bouncing away.

13



WP41 × 1



WP46 × 1



F5 × 7



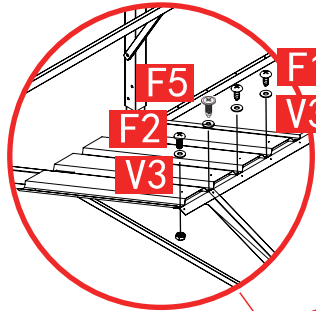
F1 × 2



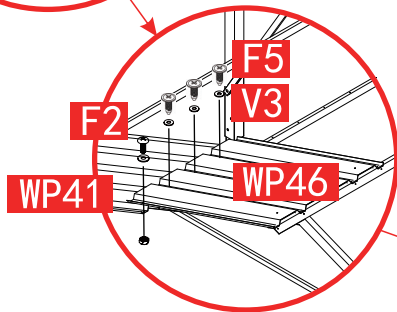
V3 × 12



F2 × 2

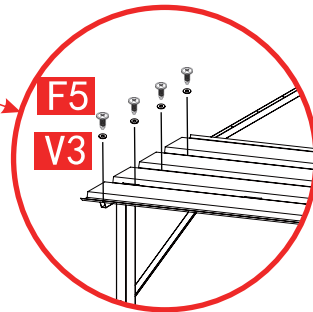


First, secure the upper screws, then secure the lower screws. This makes it easier to adjust.



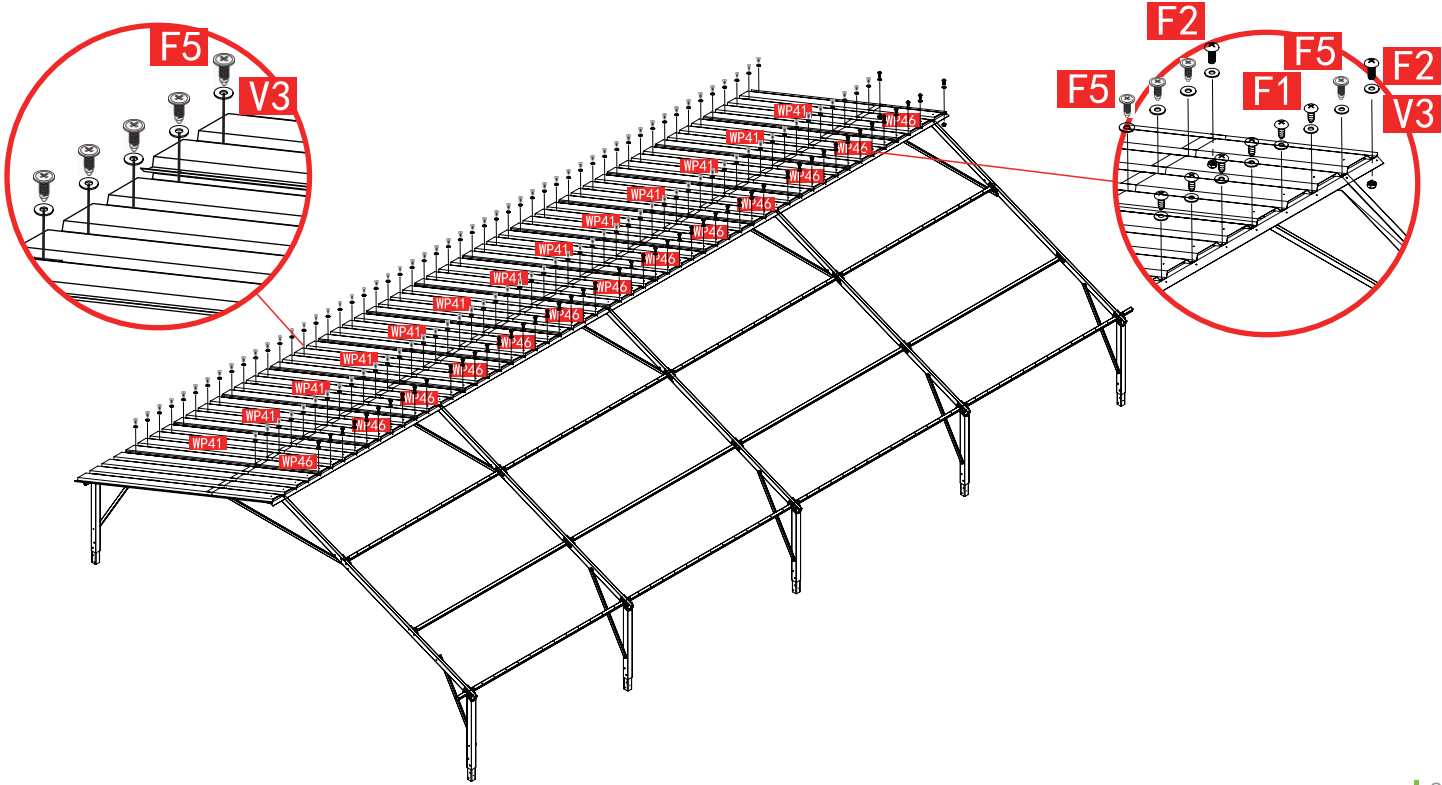
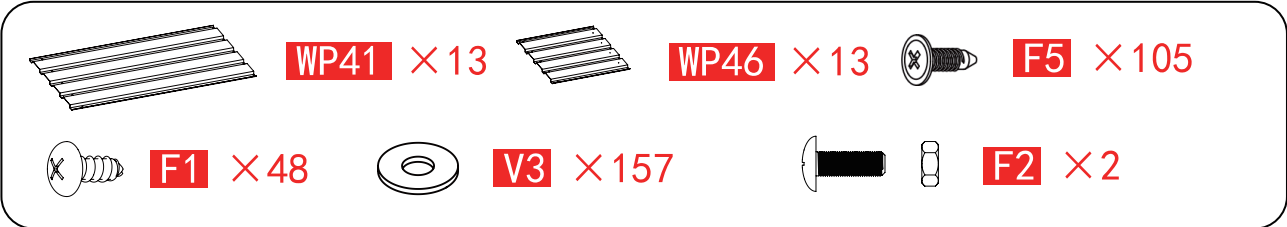
WP41

WP46

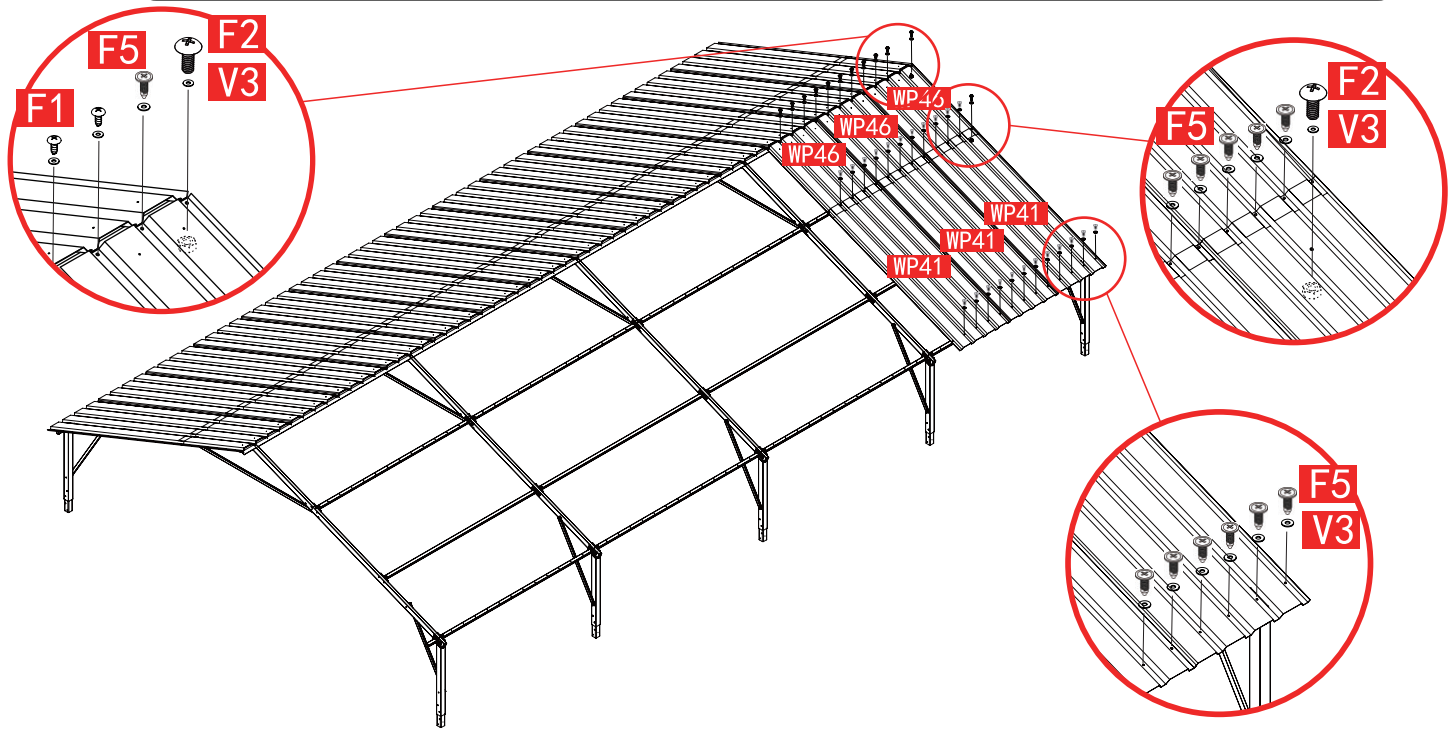
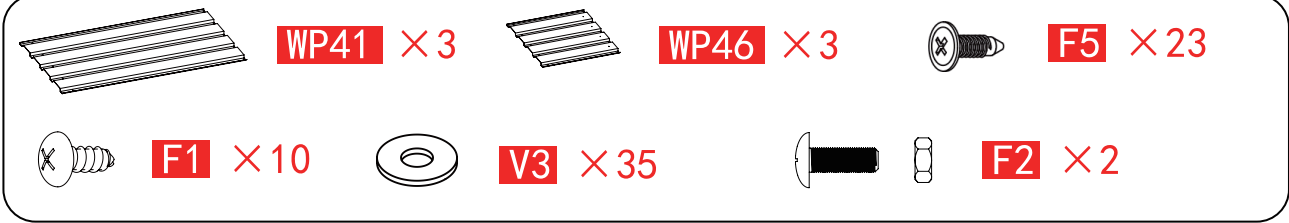


The WP46 component needs to be placed above the WP41 component to prevent water leakage.

14



15



16



JC05 × 1



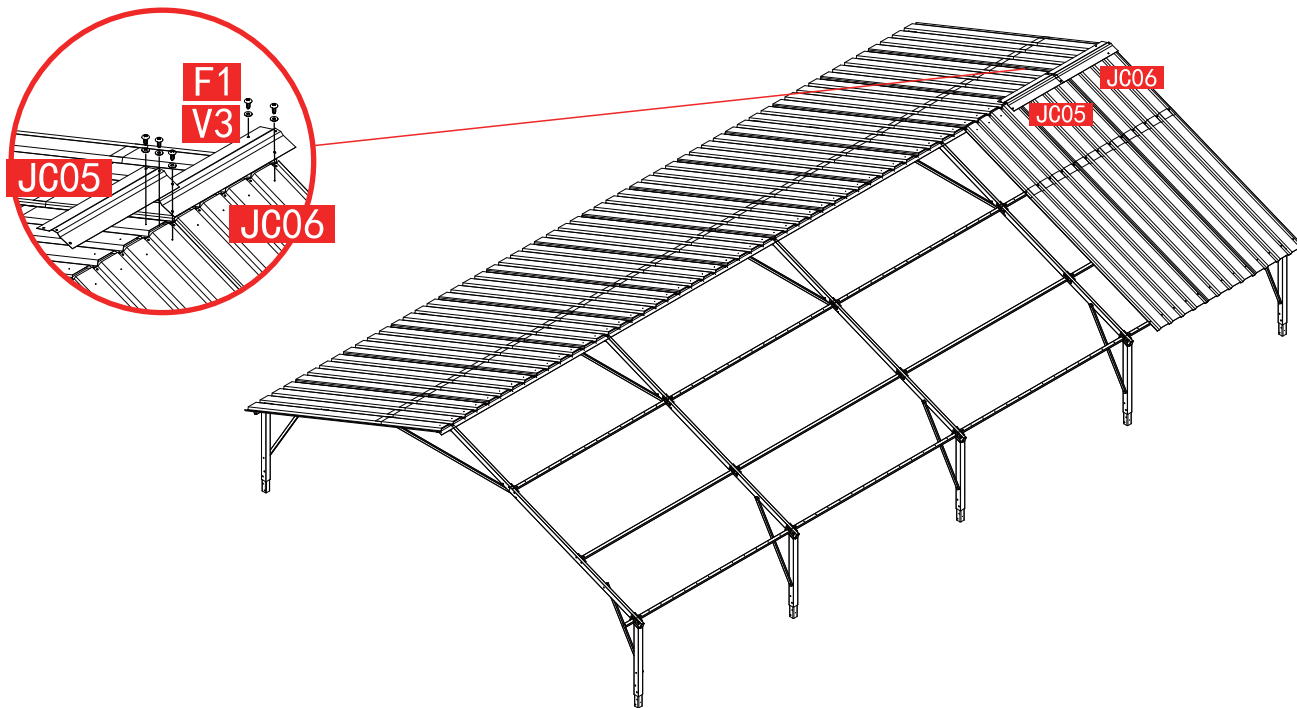
JC06 × 1



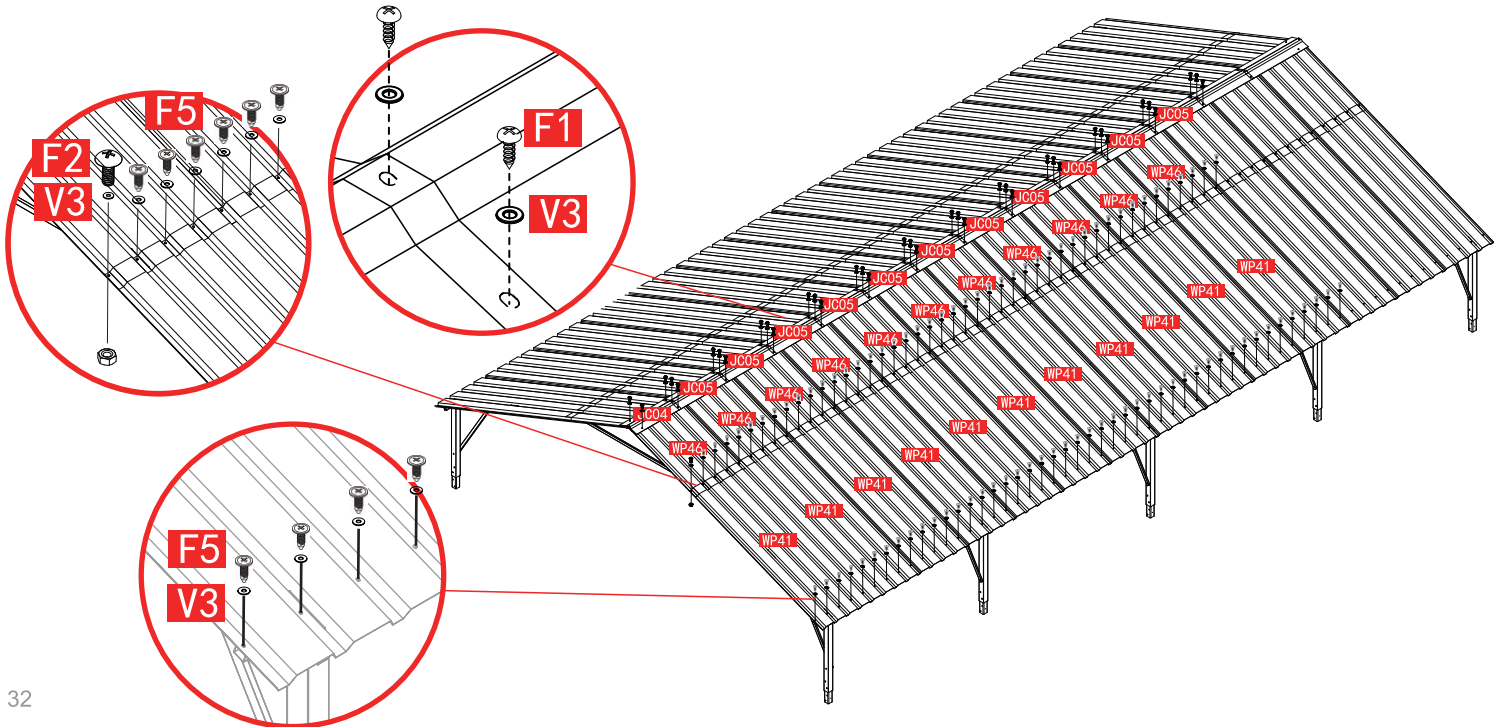
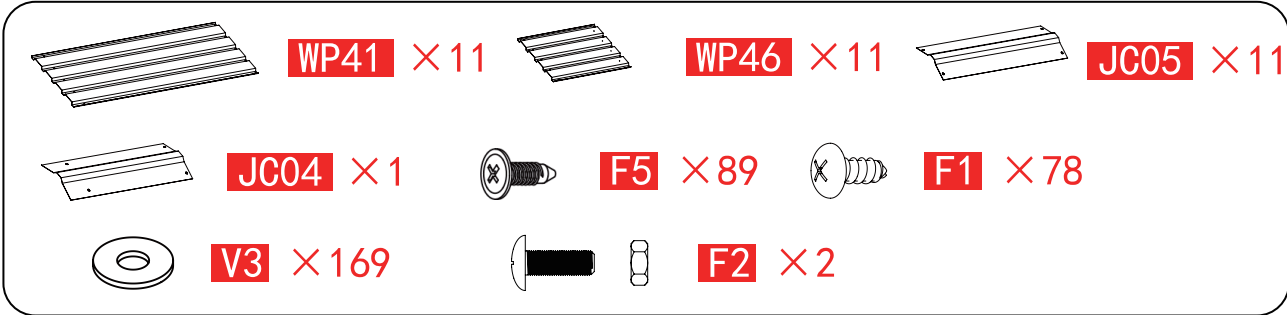
F1 × 5



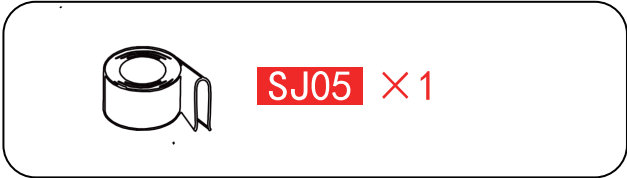
V3 × 5



17



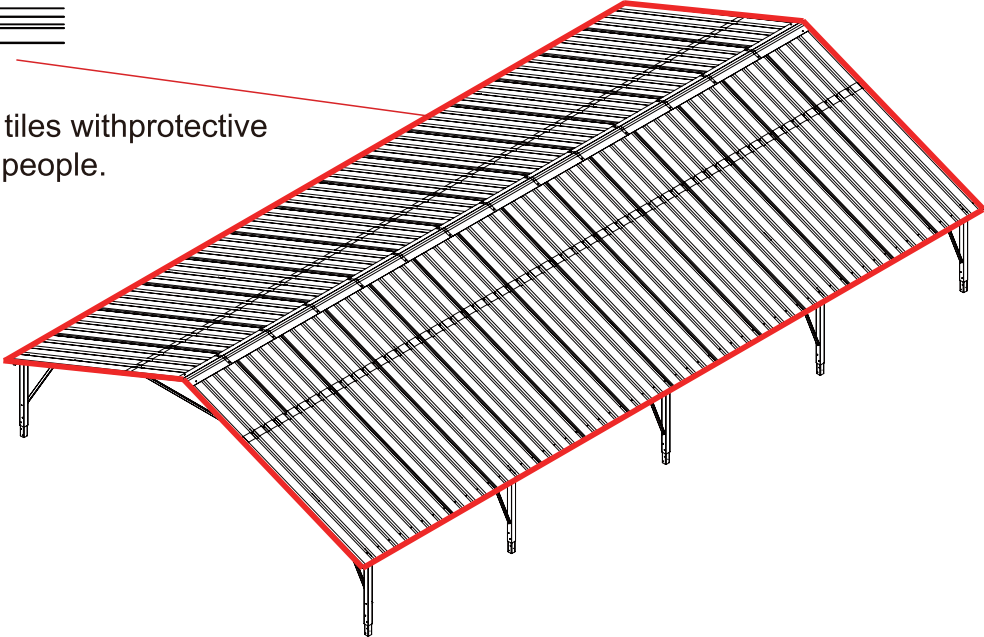
18



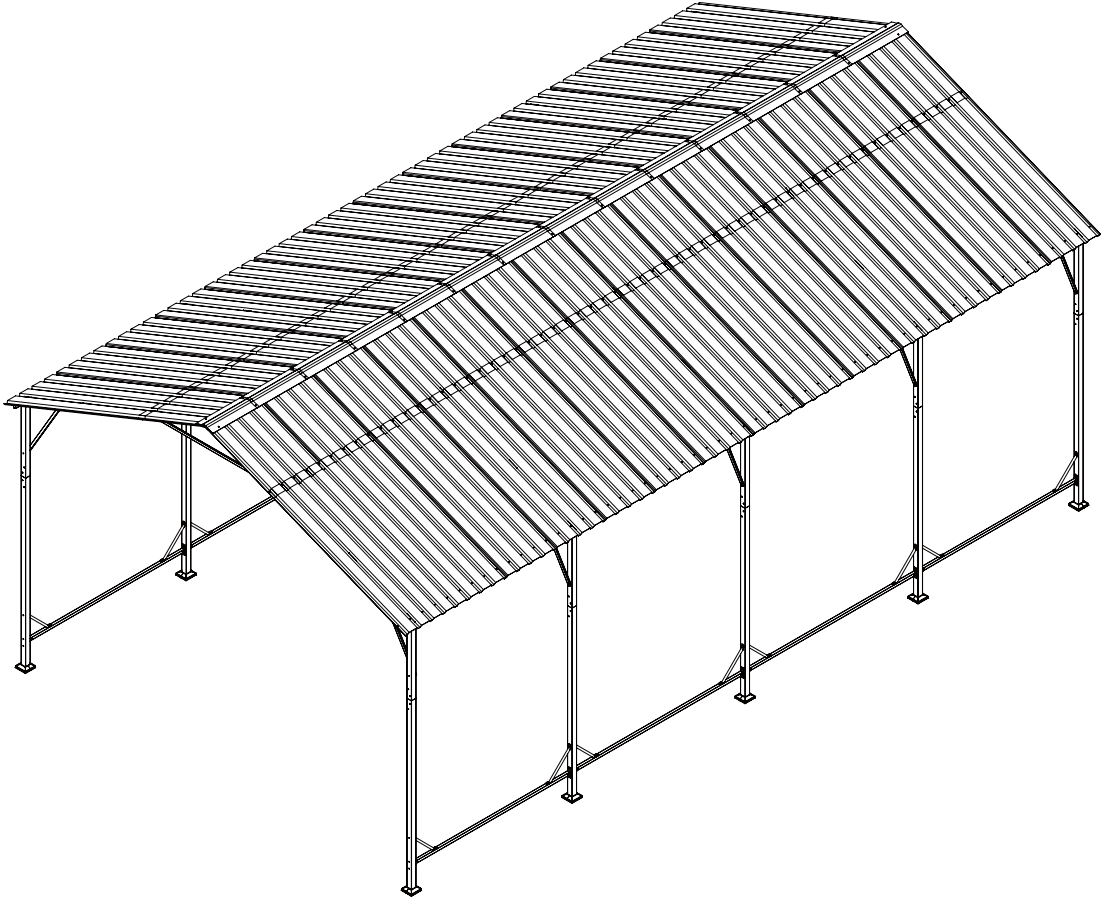
SJ05



Wrap the edges of the tiles with protective rubber to avoid hurting people.



Part 5





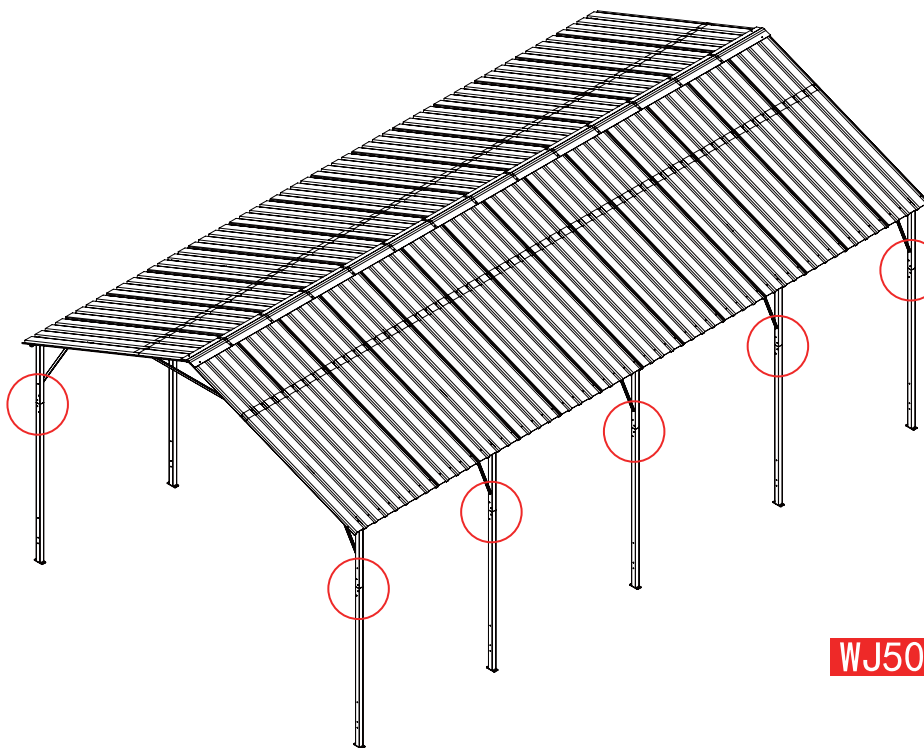
WJ50 × 20



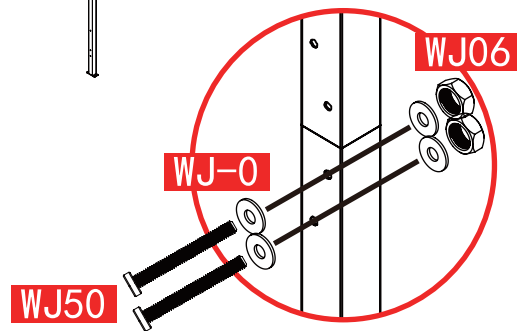
WJ-0 × 40



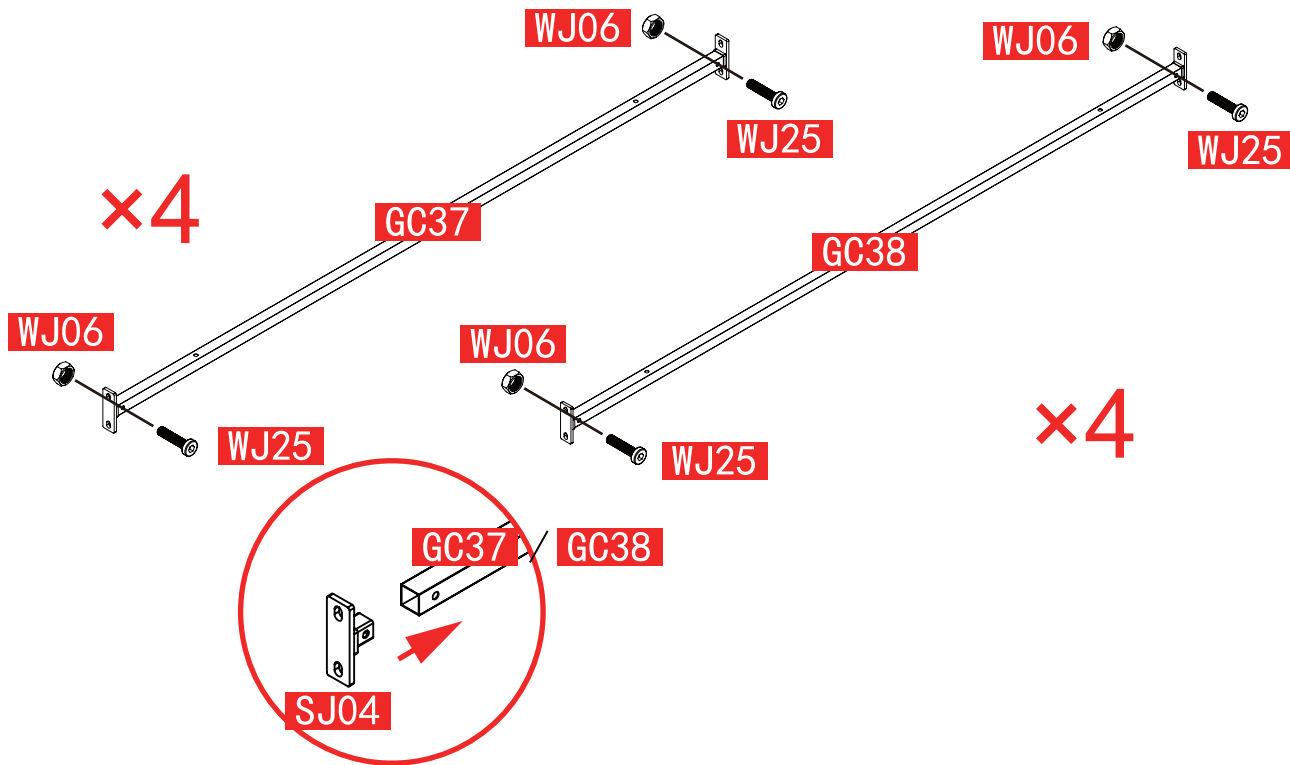
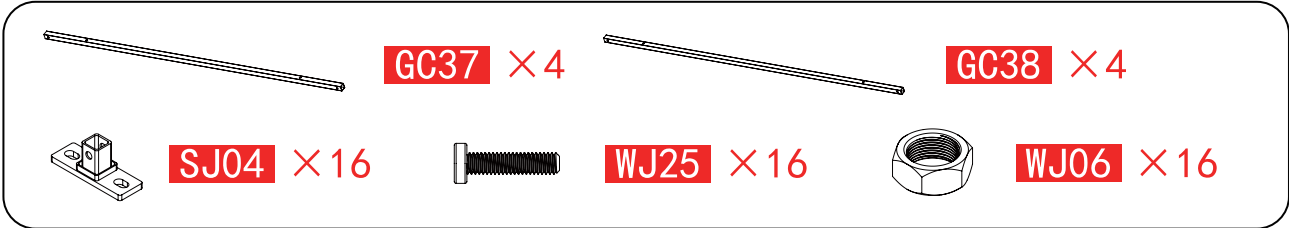
WJ06 × 20



Lock all the screws
on the top and bottom.



21





WJ55 × 8



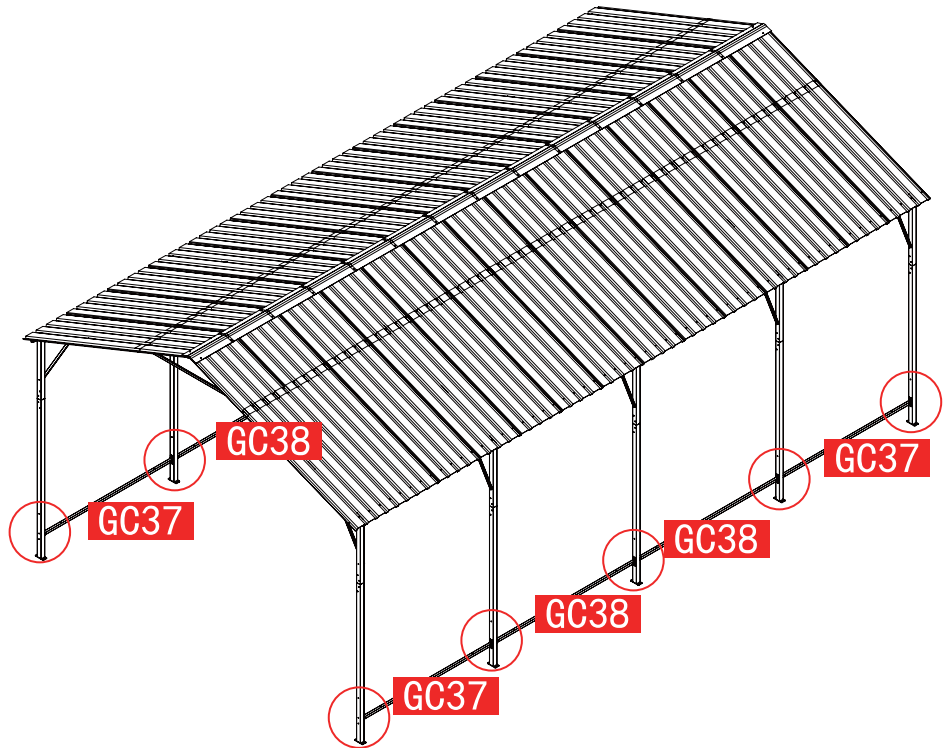
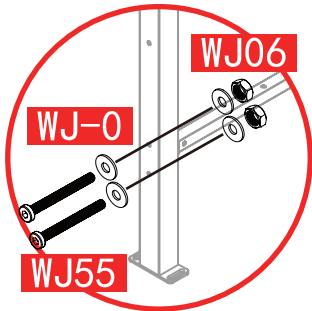
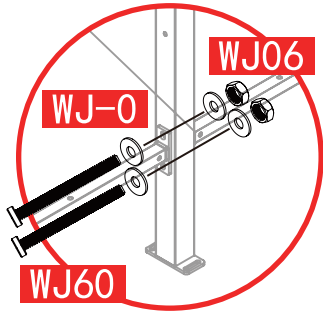
WJ60 × 12



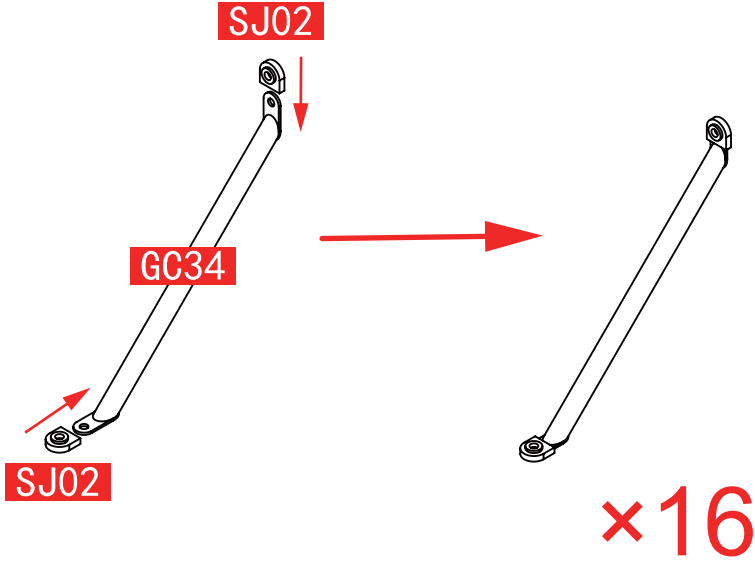
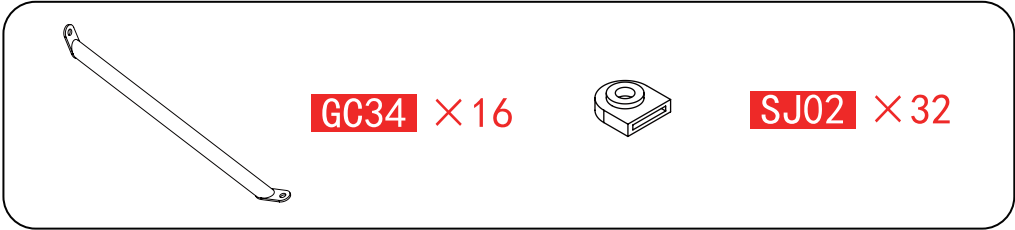
WJ-0 × 40



WJ06 × 20



23





WJ35 × 16



WJ55 × 4



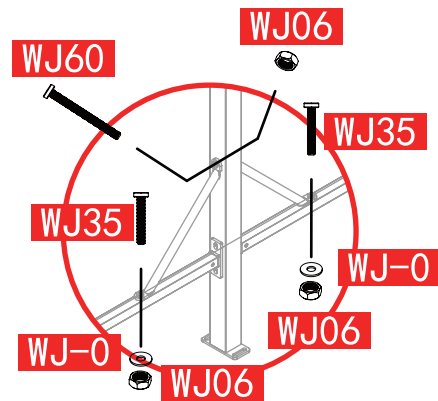
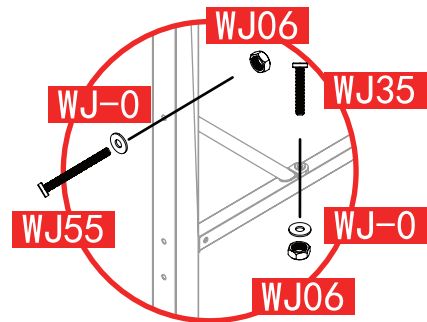
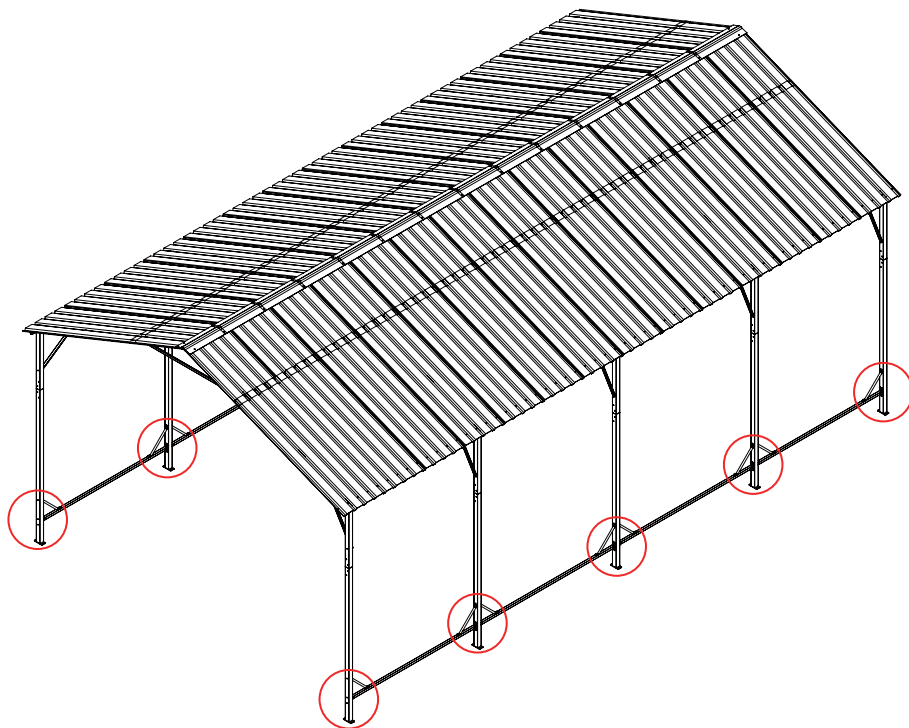
WJ60 × 6



WJ-0 × 20



WJ06 × 26



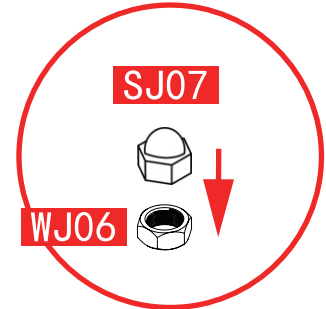
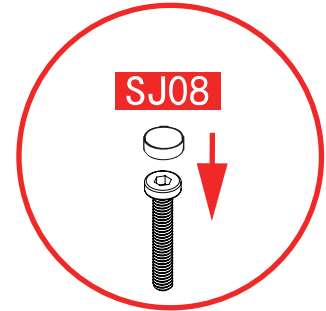
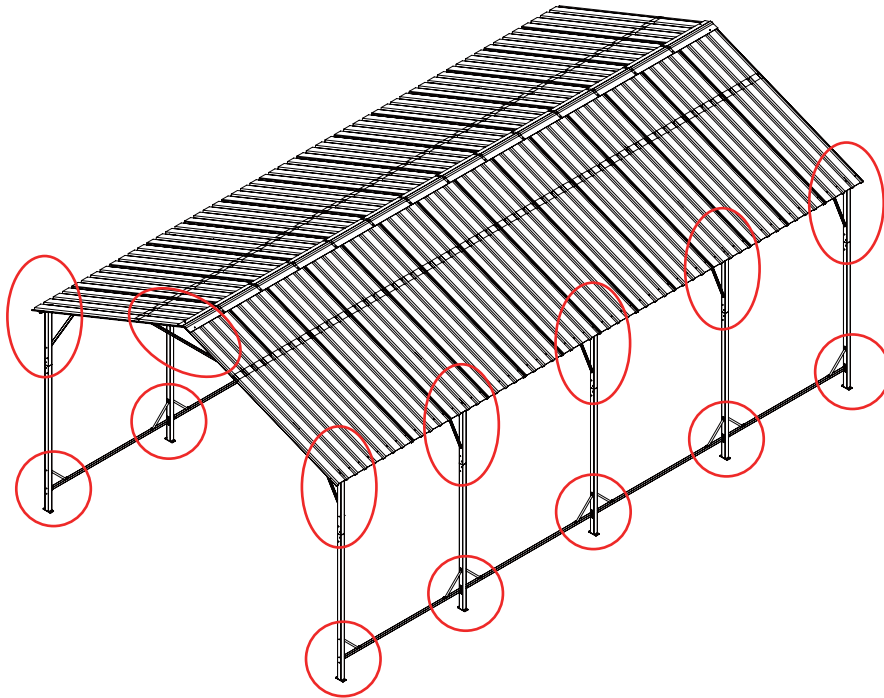
25



SJ07 × 254



SJ08 × 274



Cover to prevent rusting.

26

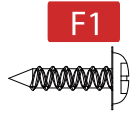


V1 × 130

V1

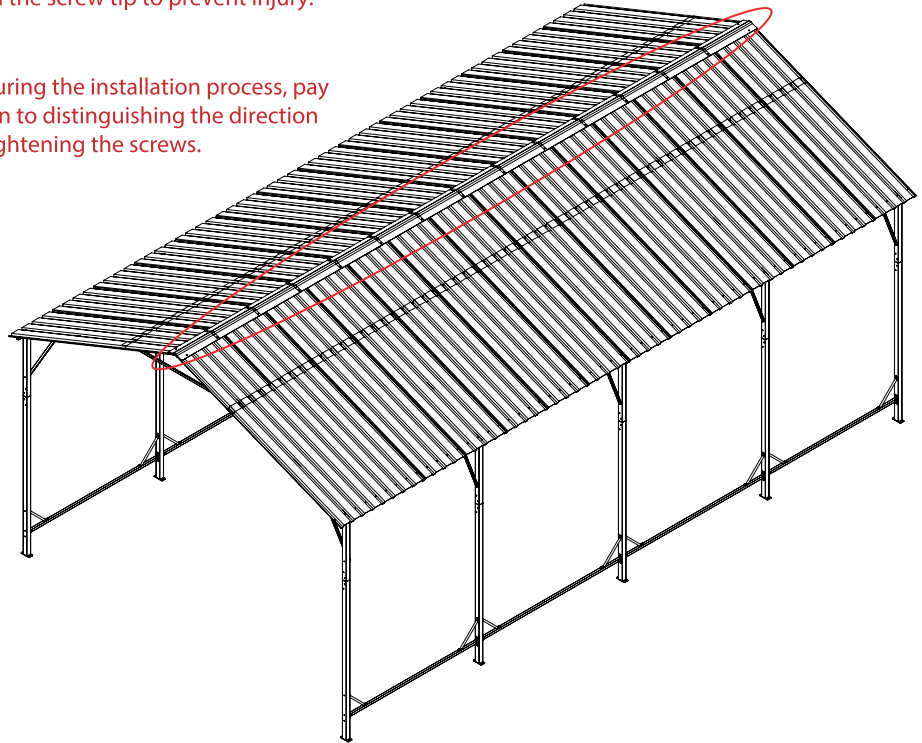


F1

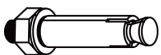


Put it on the screw tip to prevent injury.

Note: During the installation process, pay attention to distinguishing the direction when tightening the screws.



27



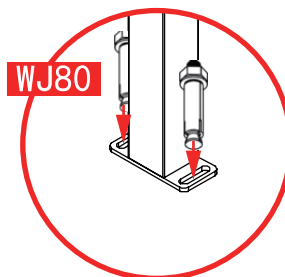
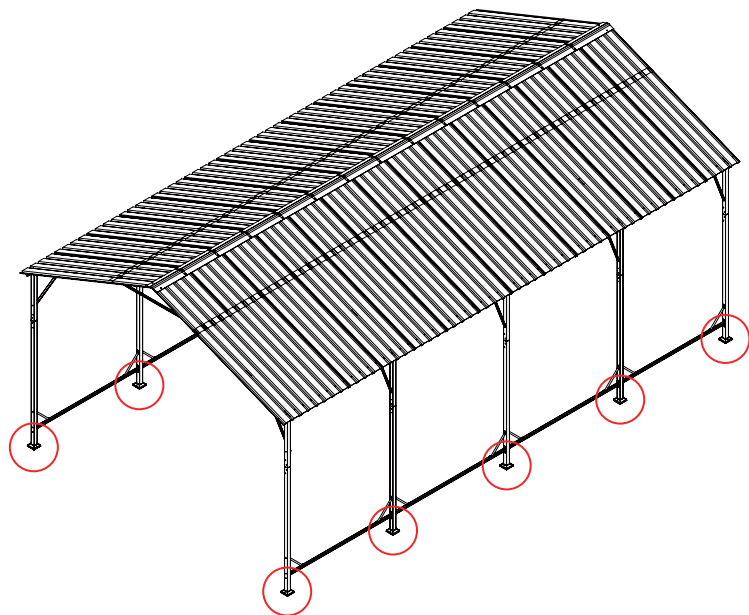
WJ80 × 20



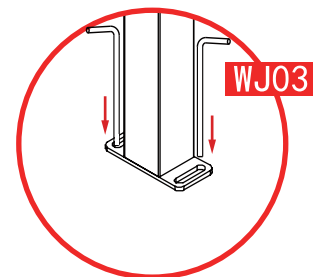
SJ06 × 10



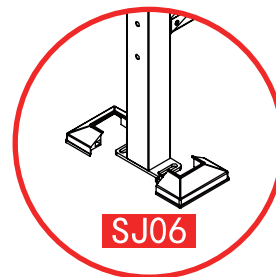
WJ03 × 20



Cement surfaces



Grassy surfaces



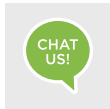
SJ06



To improve wind resistance, **be sure to complete this installation step. If expansion screws or ground nails are not installed, strong winds may topple the gazebo.** Expansion screws are essential for stability on cement surfaces, and ground nails are for grassy surfaces. All are included in the accessories package.

HELP CENTER

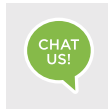
Question about your product? We're here to help. Visit us at:



Chat Support



Product Inquiry



Orders FAQ



Product Assembly



Returns & Refunds

We Stand Behind the Quality of Their Furniture

if you have any issues with your item please let us know! We will always do our best to come up with a solution that you will be happy with. Please get in touch with our customer service team before returning the product. And please do not throw the original box(es) if you have not finished assembling or confirmed quality issues.

Length of return period:

Items can be returned within 30 days of purchase.

In the meanwhile, everything you purchased from us comes with a one-year warranty.

Who is responsible for the return shipping fee:

We will cover the return shipping fees if:

1. Your item has a manufacturing defect in its materials or workmanship. For example, torn wicker or misaligned screw holes. We will send you a prepaid shipping label after photos are sent.
2. Your item has been damaged in transit. For example, glass is broken or wicker is damaged. We will send you a prepaid shipping label after photos are sent.
3. You receive the wrong box(es) due to a warehouse error. We will send you a prepaid shipping label after photos are sent of the wrong SKU numbers on the outer box(es).
4. One or more boxes are lost in transit. We will send you a prepaid shipping label if you no longer want the item.

*However, we still hope to work with you for a better solution instead of a return. Please don't hesitate to contact our customer service team.

Customer will cover the return shipping fees if:

1. You don't like the product(s) after receiving the box(es).
2. You no longer need the product(s) but you have received the box(es).
3. You buy the product(s) by mistake but you have received the box(es).
4. Order/shipment cancellation failed and you have received the box(es).

Return Request

In order to get a full refund as described in this return policy, all items must be: (1) In a brand new/unused condition, please provide photos before and after packaging.

(2) When returning, all accessories and parts are firmly packed in all original packaging.

If your return does not meet the requirements, you may not get a full refund.

When will I be refunded?


The refund is released once the goods have been returned to our warehouse.

What if the product is damaged/defective outside of the valid return period?

We want you to be a happy customer. Please reach out to us by email and we will come up with a solution to make sure you are satisfied.

Reach us at

 service@kmcglobe-us.com

 (only us) +1 213-816-4788