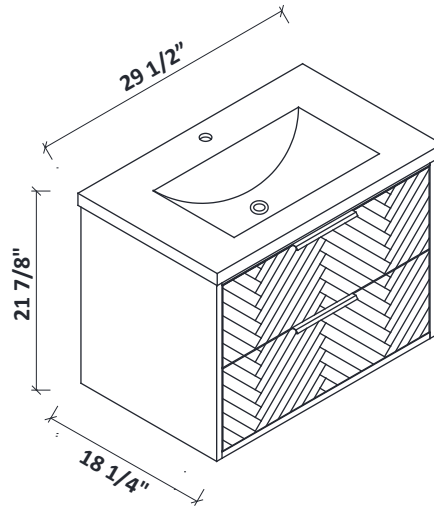
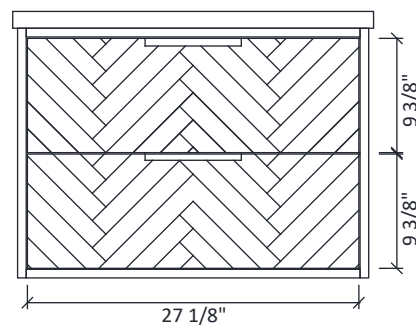
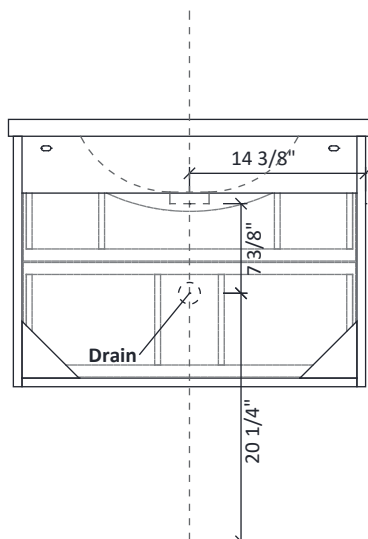
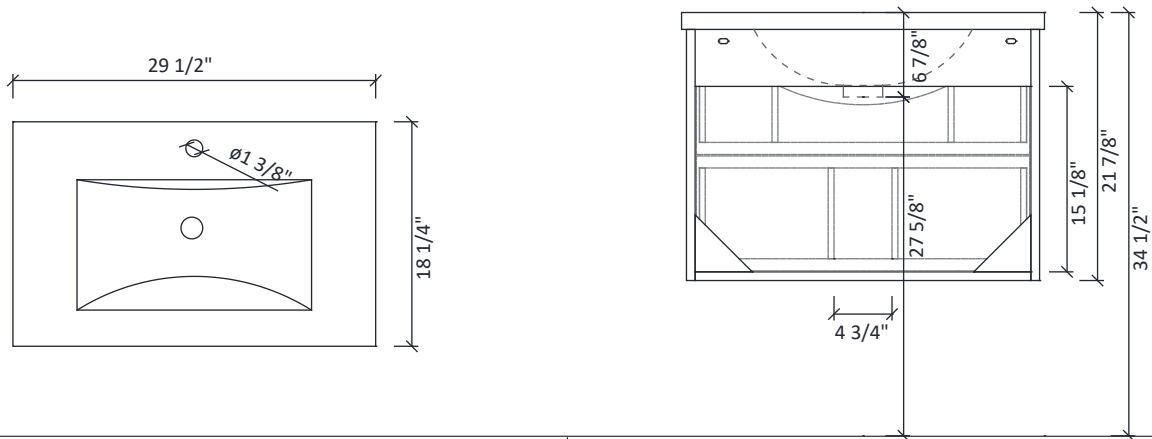


# S2405-30 Floating Vanity Installation Instruction



## DIMENSIONS



### **WARNING !**

*In the hole on the wall, please be sure to be careful to avoid the internal cables and pipelines.*

## MATERIALS & TOOLS



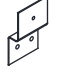


*Safety glasses, Pencil, Level, Tape measure, Stud Finder, Assorted screwdrivers, Assorted Wrenches, Drill, Screw gun, Caulking gun, Hammer, Screws, Nail anchors/Molly screws.*

# Vanity Installation

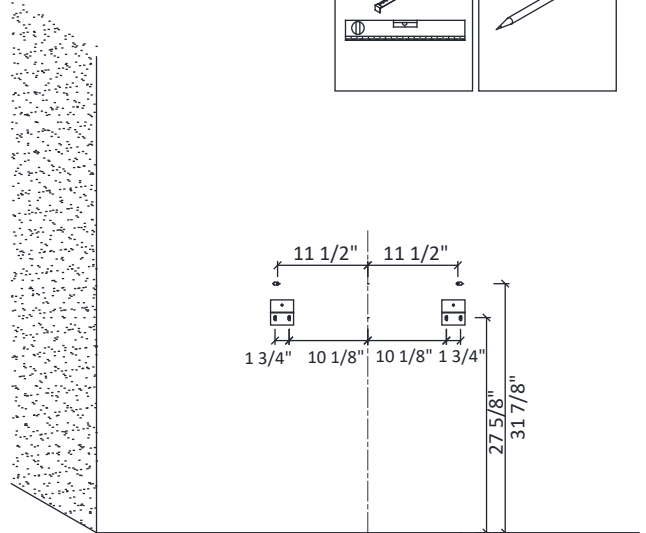
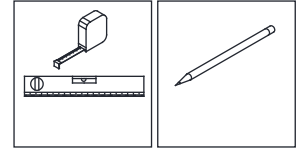
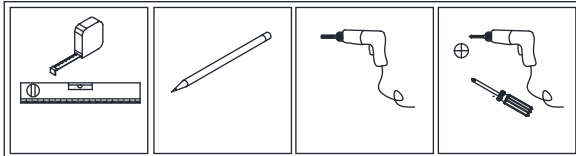
## Step 1

## Step 2

### PARTS




 A x2	 6*45 B x6	 C x2	 3.5*15 D x2
 E x6			

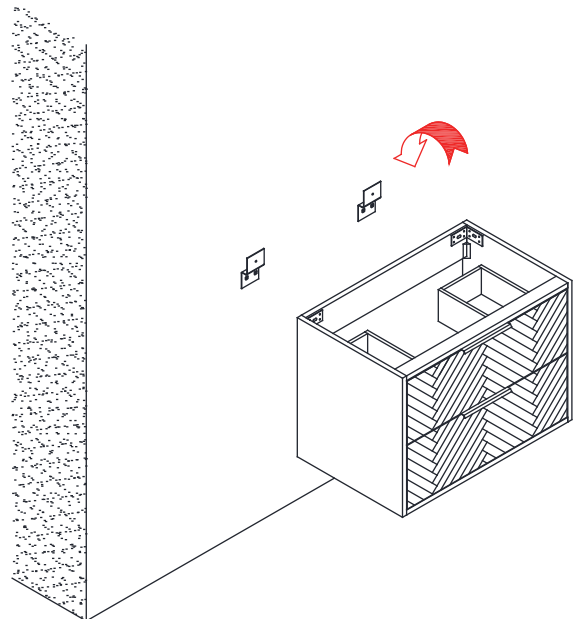
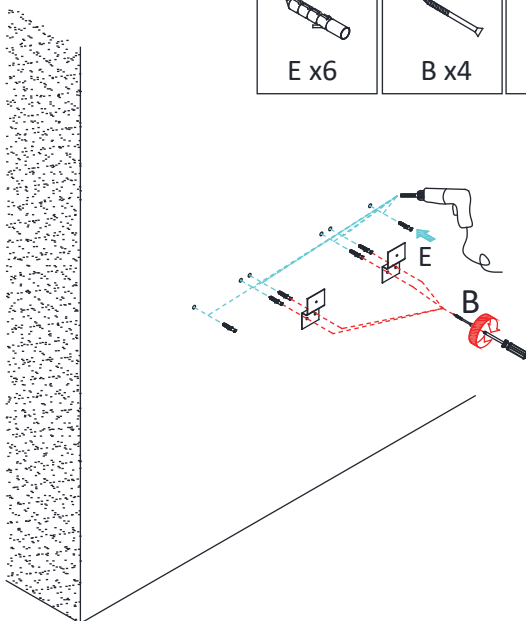
### TOOLS REQUIRED



## Step 3

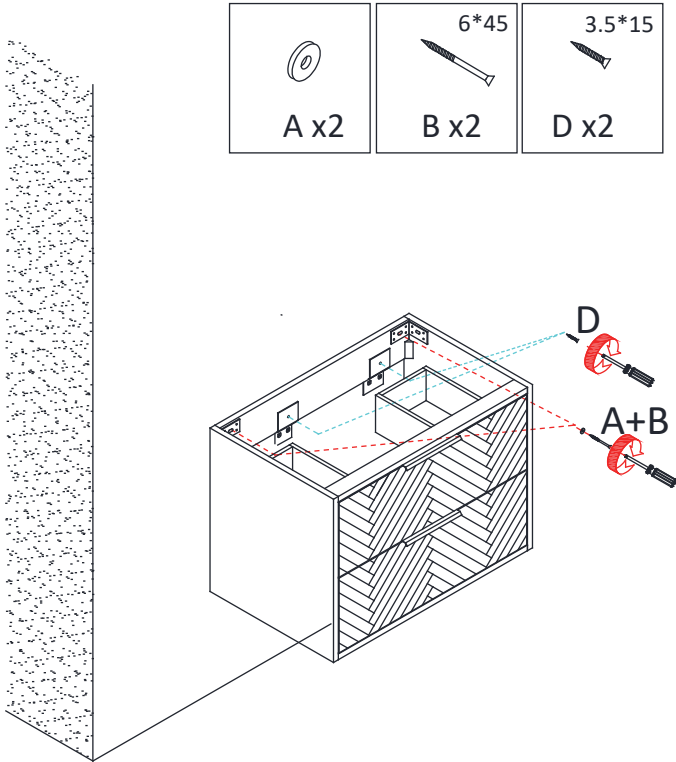
## Step 4

 E x6	 6*45 B x4	 C x2
---	---	---

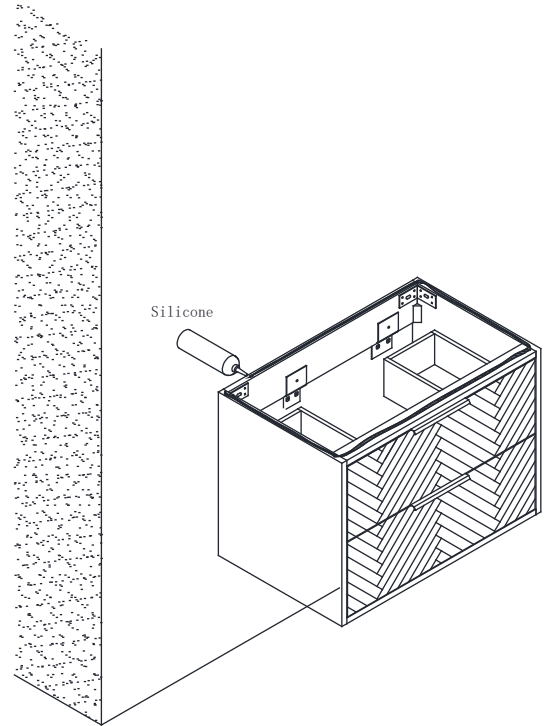


# Vanity Installation

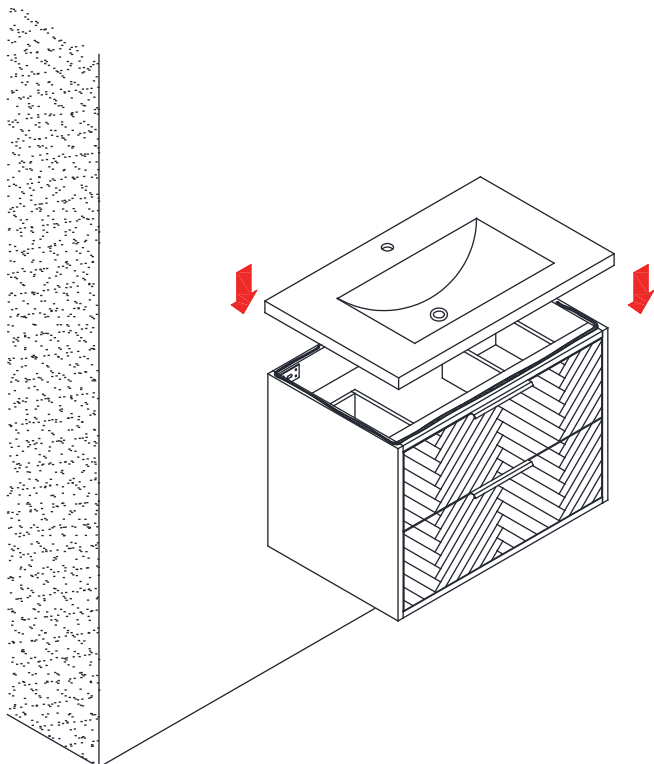
**Step 5**



**Step 6**



**Step 7**



**Step 8**

