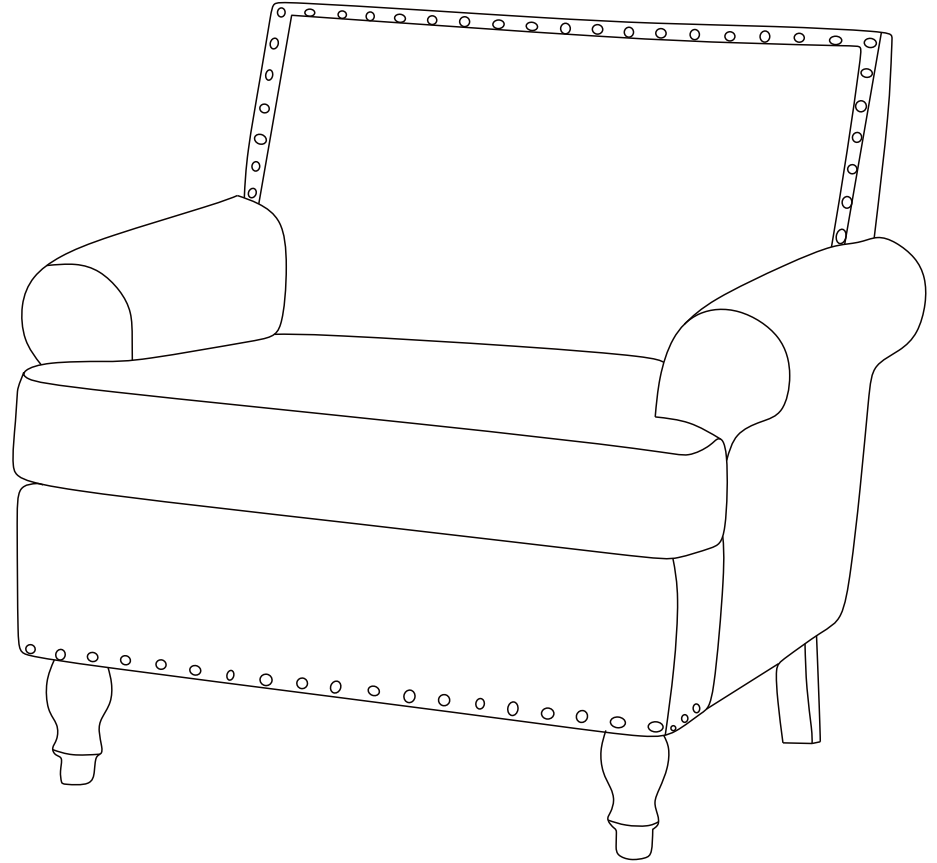


# Instruction Manual

## User Guide

### Make life better

Warm tips: We are proud of high-quality products and satisfactory service, but the goods may encounter special circumstances during transportation, if you receive the goods with missing or damaged parts, please take photos and contact our customer service before returning the goods, we will customize a solution that satisfies you, thank you.


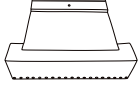







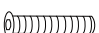






#### Note:

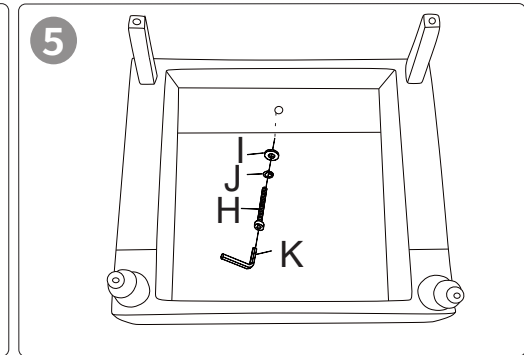
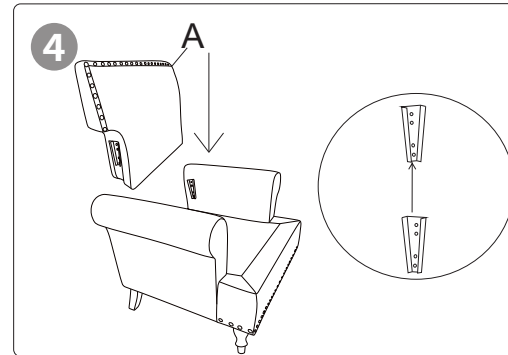
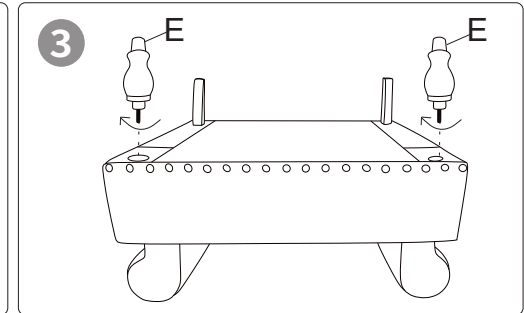
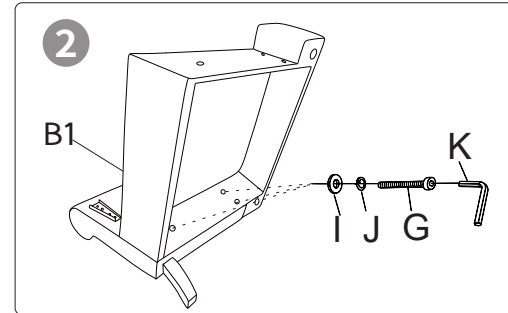
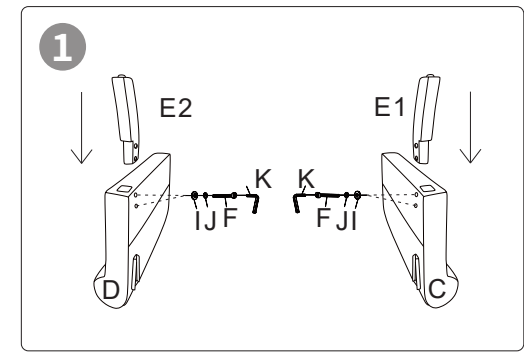
1. During the assembly of the two components, if there are multiple screws that need to be installed, you can first align all the screws with the hole position and manually turn a few turns to fix the position, and then tighten them all with a wrench.
2. The Flat Washer and Lock Washer must be installed to prevent the screw from loosening and damaging the connection part.

**SINGLE SOFA**

# Instruction

NO	DESCRIPTION		QTY
A	Chair Back		1
B1	Seat Frame		1
B2	Cushion		1
C	Left Handrail		1
D	Right Handrail		1
E	Fore Leg		2
E1	Left Hind Leg		1
E2	Right Hind Leg		1
F	Screw1	Φ5/16 ""*1-9/16 ""L 	4
G	Screw2	Φ5/16 ""*2-3/8 ""L 	6
H	Screw3	Φ5/16 ""*3-1/8 ""L 	1
I	Flat Washer	Φ5/16 ""*22mm 	11
J	Lock Washer	Φ5/16 "" 	11
K	Allen Wrench	Φ5mm 	1

## Installation Method



- As shown in the picture, insert the left and right hind legs (E1, E2) into the left and right armrests (C, D) respectively.
- Install the armrests (C, D) and seat frame (B1) as shown in the picture.
- Rotate the front legs clockwise (E).
- Insert the chair back (A) into the seat frame (B1).
- Turn the chair over and install the screws on the backrest and the bottom of the seat frame.
- Place the seat cushion (B2). PS. The cushion sponge is compressed with a compression bag and needs to be decompressed. After putting on the cushion cover, peel off the Velcro at the bottom of the cushion to secure the cushion.