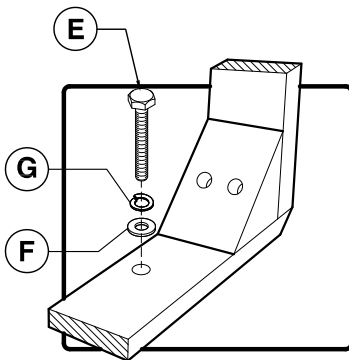
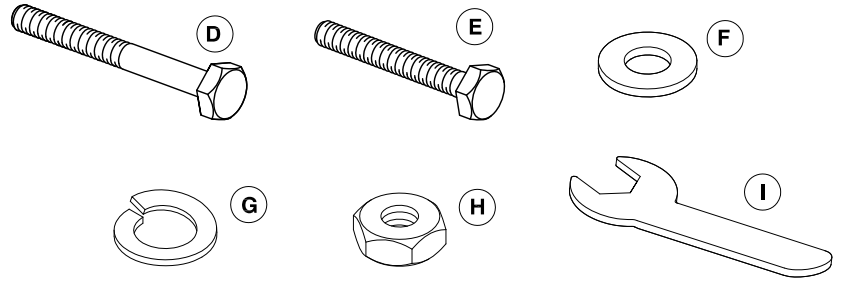


ASSEMBLY INSTRUCTIONS

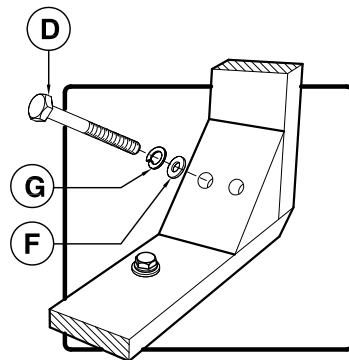
SIDE CHAIR

LIST OF PARTS

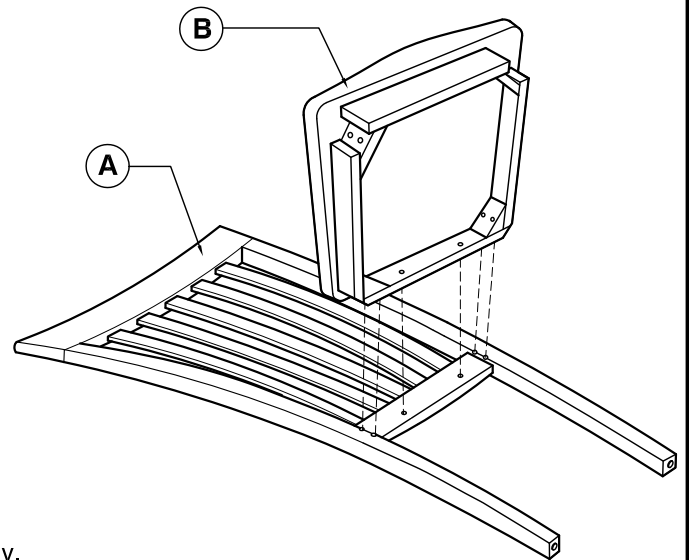
| No. | Qty | Description |
|-----|---------|------------------|
| A | 1 pc. | CHAIR BACK |
| B | 1 pc. | WOOD SEAT |
| C | 2 pcs. | FRONT LEG |
| D | 4 pcs. | LONG K.D. SCREW |
| E | 2 pcs. | SHORT K.D. SCREW |
| F | 10 pcs. | FLAT WASHER |
| G | 10 pcs. | LOCK WASHER |
| H | 4 pcs. | NUT |
| I | 1 pc. | KEY WRENCH |



DETAIL: A

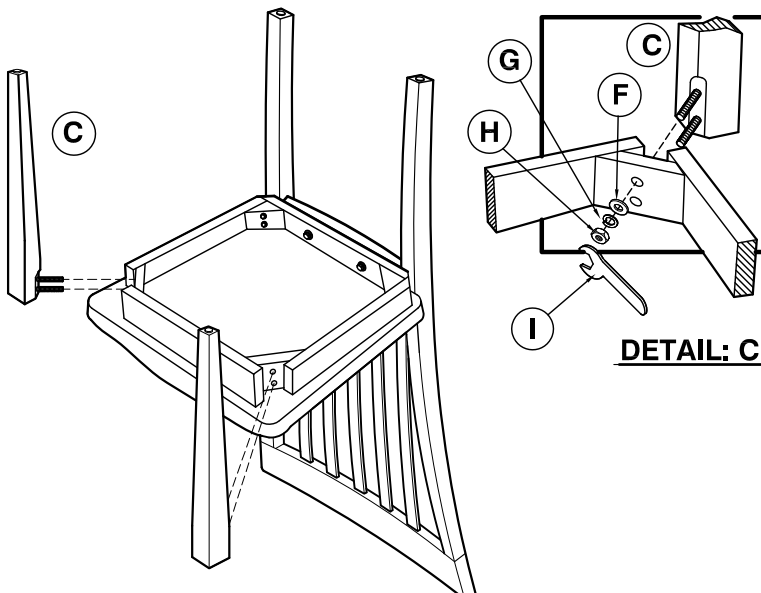


DETAIL: B



STEP: 1

- Remove all parts from carton.
- Open carton so that it can be used as work surface for assembly.
- Place the Chair Back (A) on the carton.
- Place the Wood Seat (B) on the Chair Back (A) and insert a Flat Washer (F), Lock Washer (G) and a short K.D. Screw (E) into each of the 2 holes on back of the wood seat tighten the screw with the provided Key Wrench (I). **Do not fully tighten the screws. (See Detail: A)**
- Insert the Flat Washer (F), Lock Washer (G) and Long K.D. Screw (D) into each of 2 holes in the seat corners. Fully tighten all screws with provided Key Wrench (I) by turning clockwise until secure. **(See Detail: B)**



DETAIL: C

STEP: 2

- Turn over the chair and attach the Legs (C) to the front of the corner seat frame.
- Place Flat Washer (F), Lock Washer (G) and Nut (H) on each bolt.
- Turn the Nut (H) on each leg several turns with Key Wrench (I) by turning clockwise until secure. **(See Detail: C)**