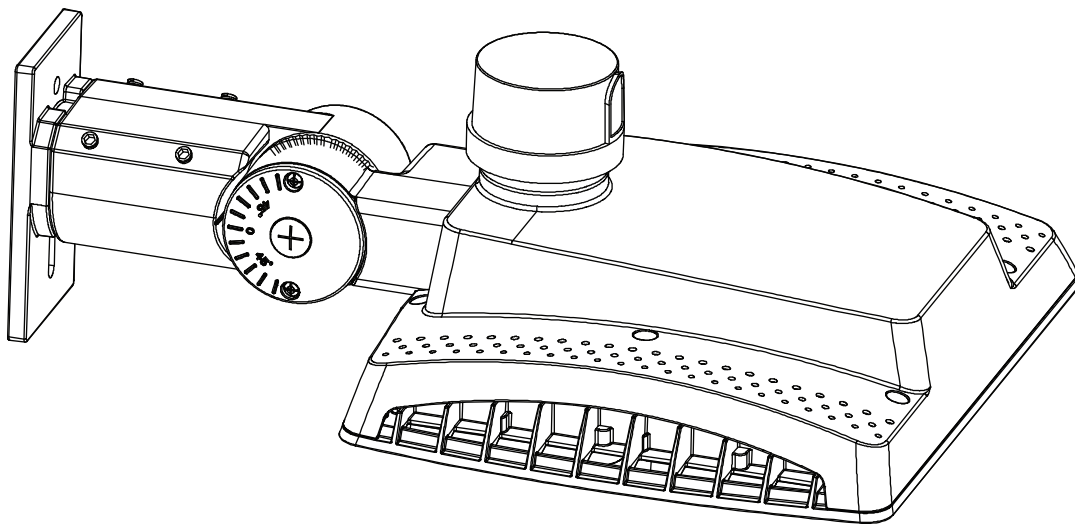


## GUARDIAN LED AREA LIGHT

### INSTALLATION, USAGE, & CARE GUIDE



#### Questions? / Missing Parts? / Need Accessories?

Before returning to the store, call, text, or email our Lighting Specialists 9am-5pm EST Monday to Friday.

**1-844-507-5651**

[support@probrite.com](mailto:support@probrite.com)

[www.probrite.com](http://www.probrite.com)

---

Visit us online anytime or call us to get information on our product range, download detailed spec & photometric files, find product and mounting accessories, view installation tutorials and videos, and learn about our DLC® rebate eligible products.

# Table of Contents

<b>Table of Contents</b> .....	<b>2</b>	<b>Hardware Included</b> .....	<b>4</b>
<b>Safety Information</b> .....	<b>2</b>	<b>Mounting Methods</b> .....	<b>5</b>
<b>Pre-Installation</b> .....	<b>3</b>	<b>Installation</b> .....	<b>6</b>
Planning Installation.....	3	<b>Operation</b> .....	<b>30</b>
Specifications.....	3	<b>Care &amp; Cleaning</b> .....	<b>31</b>
Tools Required.....	3	<b>Troubleshooting</b> .....	<b>31</b>
Package Contents.....	4	<b>Warranty</b> .....	<b>32</b>

## Safety Information

### IMPORTANT

THIS PRODUCT MUST BE INSTALLED IN ACCORDANCE WITH THE APPLICABLE NATIONAL ELECTRICAL CODE AND LOCAL BUILDING CODES BY A PERSON FAMILIAR WITH THE CONSTRUCTION AND OPERATION OF THE PRODUCT AND THE HAZARDS INVOLVED.

### PRECAUTIONS

- Please read and understand this entire manual before attempting to assemble, install, or operate this light fixture.
- This light fixture requires a 120-277 Volt AC power source.
- Some codes require installation by a qualified electrician.
- This light fixture must be properly grounded.
- Make sure connections are secure using wire nuts, crimp-on lugs or other approved connecting devices
- This light fixture should be installed outdoors to a wall or a pole.



**WARNING:** Turn the power off at the circuit breaker or fuse. Place tape over the circuit breaker switch and verify power is off at the light fixture.



**CAUTION:** Burn hazard. Allow the light fixture to cool before touching.



**NOTICE:** For dimming use a 0-10V dimming switch



**NOTICE:** FCC Regulations state that any unauthorized changes or modifications to this equipment not expressly approved by the manufacturer could void the user's authorization to operate this equipment.



**INFORMATION:** The device is tested and found to comply with Part 15 of the FCC Rules. Operation is subject to two conditions: (1) This device may not cause harmful interference and, (2) this device must accept any interference received, including any interference that may cause undesired operation.

These limits are designed to provide reasonable protections against harmful interference when the equipment is operated in a commercial environment.

# PRE-INSTALLATION

## PLANNING INSTALLATION

Before installing the light fixture, ensure that all parts are present. Compare parts with the **Hardware Included** and **Package Contents** sections. If any part is missing or damaged, do not attempt to assemble, install, or operate this light fixture.

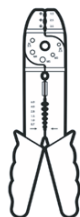
## SPECIFICATIONS

MODEL	GRD100	GRD150	GRD200	GRD300
<b>Lumens (Light Output)</b>	14000 Lumens	20000 Lumens	27000 Lumens	40500 Lumens
<b>Watts (Power Consumption)</b>	100 Watts LED	150 Watts LED	200 Watts LED	300 Watts LED
<b>Replaces</b>	1000W Incandescent	1400W Incandescent	1800W Incandescent	2700W Incandescent
<b>Lumens/Watts (Efficacy)</b>	140 LPW	135 LPW	135 LPW	135 LPW
<b>Power Requirements (Input Voltage)</b>	120-277VAC			
<b>Light Color (CCT)</b>	4000 Kelvin (Bright White)			
<b>Dimmable</b>	Dimming (Use with 0-10V dimming switch)			
<b>Surge Protection</b>	10kV			
<b>Optic Distribution Type</b>	Type IV			
<b>Operating Modes</b>	<p><b>Dusk-to-Dawn:</b> Automatically turns light fixture ON during night and OFF during day.</p> <p><b>Switch-Controlled:</b> Flip switch to turn light fixture ON and OFF. <i>Use included light sensor cap on fixture's light sensor to utilize this mode setting.</i></p>			

## TOOLS REQUIRED



Phillips screwdriver



Wire strippers/cutters



Circuit tester



Torque wrench with 5/16" hex bit



Work gloves



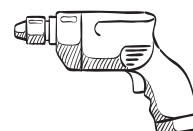
Ladder



Safety goggles



Wrench

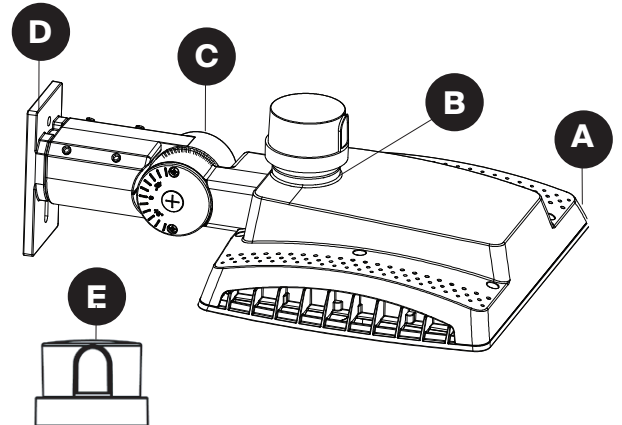


Power drill

# PRE-INSTALLATION (CONTINUED)

## PACKAGE CONTENTS

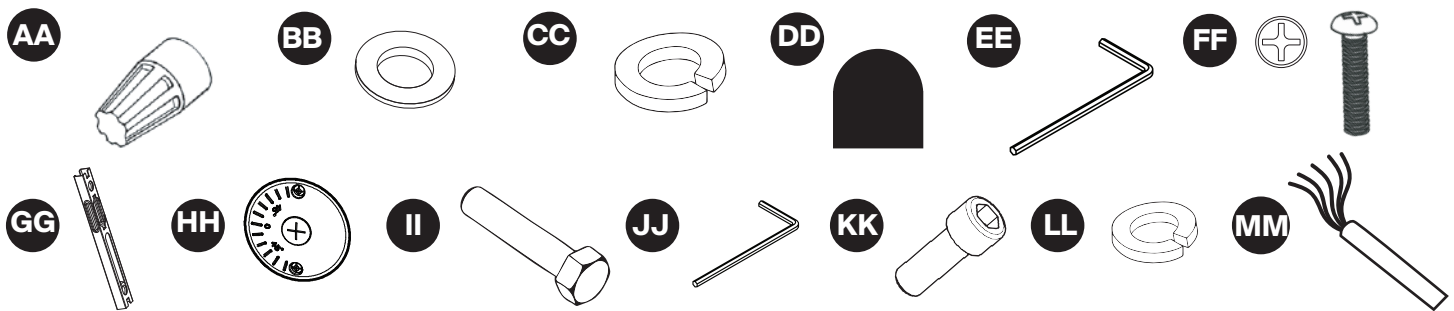
Part	Description	Quantity
A	Light fixture	1
B	Photocell NEMA 3-pin receptacle	1
C	2-3/8" Swivel slipfitter knuckle mounting arm	1
D	Horizontal tenon mount adapter	1
E	120-277V NEMA 3-pin twist-lock photocell	1



## HARDWARE KIT



**NOTE:** Hardware *not* shown to actual size.

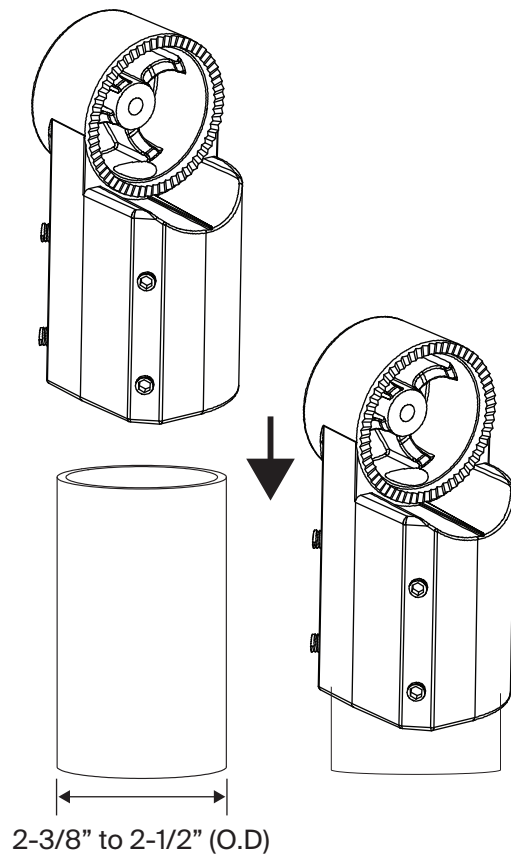


Part	Description	Quantity
AA	Wire Nut	8
BB	Flat washer	2
CC	Spring washer	2
DD	Photocell black cover label	1
EE	Allen key 5/16" for center bolt	1
FF	8-32 Screw for slipfitter cover	2
GG	Mounting nut plate (for mounting to hollow metal poles)	1
HH	Slipfitter cover	1
II	5/16" Mounting bolts	2
JJ	Allen Key 5/32" for slip fitter set screws	1
KK	3/8" Center bolt	1
LL	3/8" Spring washer	1
MM	6" Electrical cable extension	5

# MOUNTING METHODS

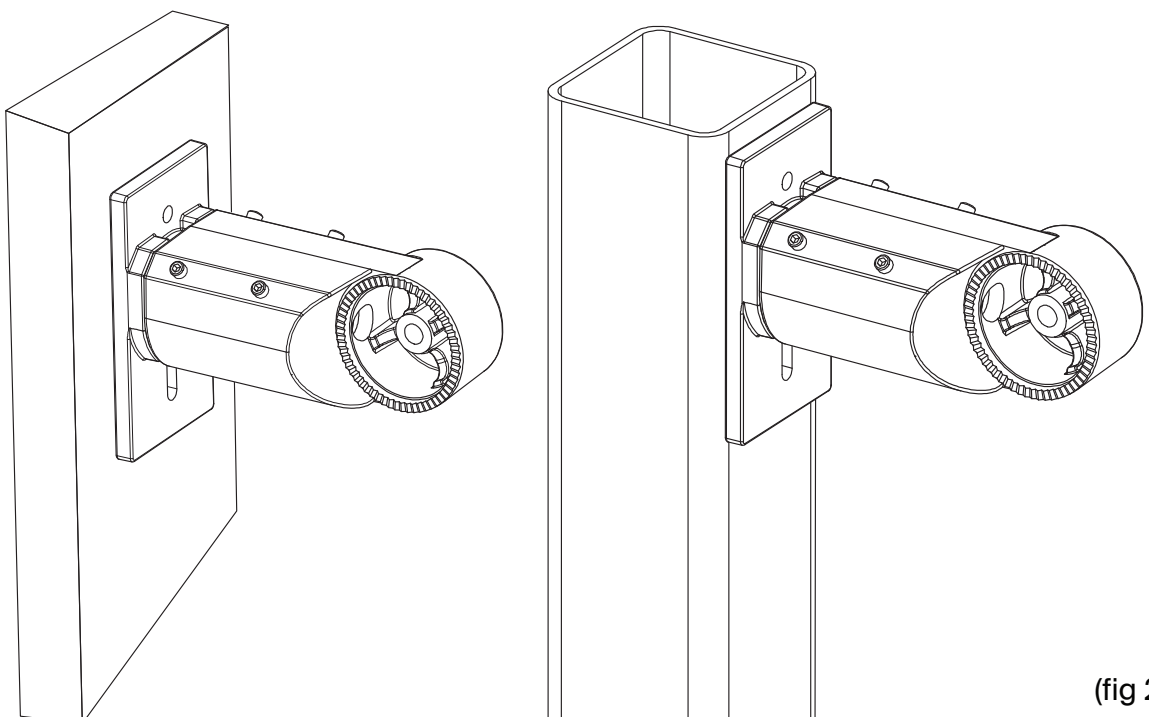
## CHOOSE YOUR MOUNTING

- The fixture can be mounted in the following ways:
  - **Swivel Slipfitter Knuckle Arm Mount:** Use the default swivel slipfitter knuckle on a 2-3/8" to 2-1/2" (O.D) round pipe, or fit to standard tenon arms for ground, pole, or wall mounting (straight tenon arm included). (fig 1)



(fig 1).

- **Straight Tenon Mount :** The fixture can also be mounted directly on a square pole surface, or direct to a wall, using the horizontal tenon mount adaptor provided in the package. (fig 2)

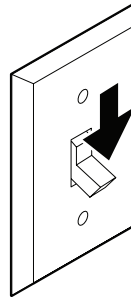


(fig 2).

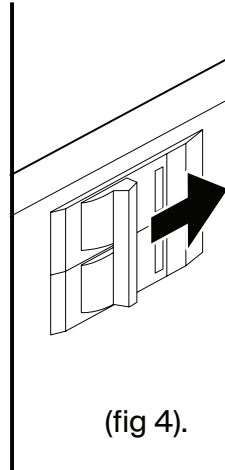
# INSTALLATION

## 1 SHUT OFF ELECTRIC POWER OFF

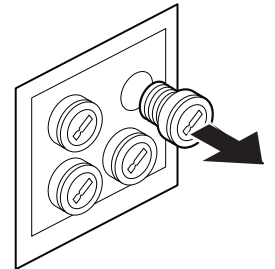
- ❑ Verify wall switch is in OFF position (fig 3).
- ❑ At the main electrical panel, turn off the circuit breaker that supplies power to the junction box you are working on (fig 4).
- ❑ For screw-in type fuses, unscrew the fuse that supplies power to the outlet junction box you are working on (fig 5).



(fig 3).



(fig 4).



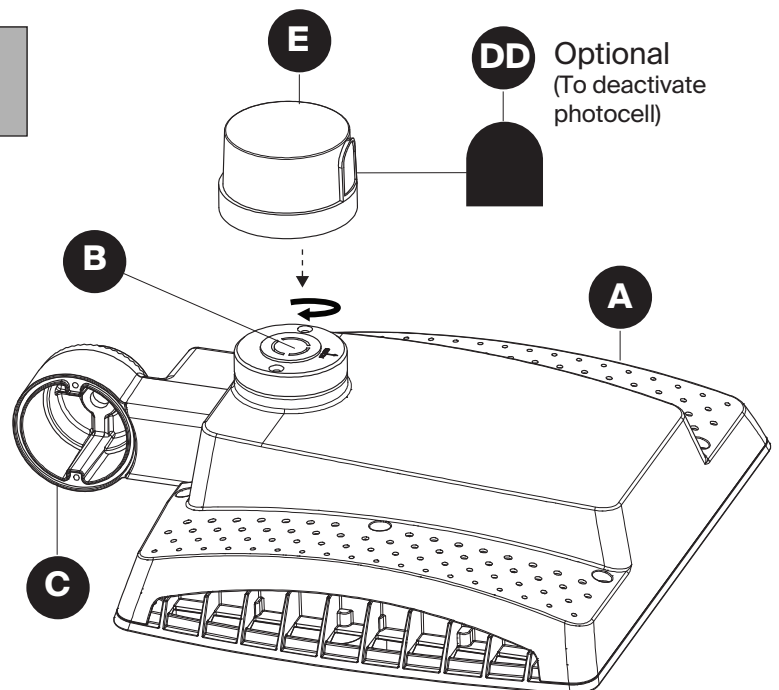
(fig 5).

## 2 PLACE PHOTOCELL ON FIXTURE



**NOTE:** The fixture comes with the twist-lock photocell (E) provided separately in the box.

- ❑ Photocell (E) must be inserted into the receptacle (B) for fixture to turn ON.
- ❑ **OPTIONAL:** To deactivate Automatic Dusk to Dawn Functionality, place the included photocell cover sticker (EE) on photocell window.
- ❑ Twist the photocell (E) in the direction of the arrow indicated on the photocell until it locks into place.



(fig 6).



**NOTE:** The light fixture will not work without the photocell inserted into the photocell receptacle as it completes the circuit.



**NOTE:** Make sure the photocell is locked on the receptacle. Do not over rotate after it is locked.

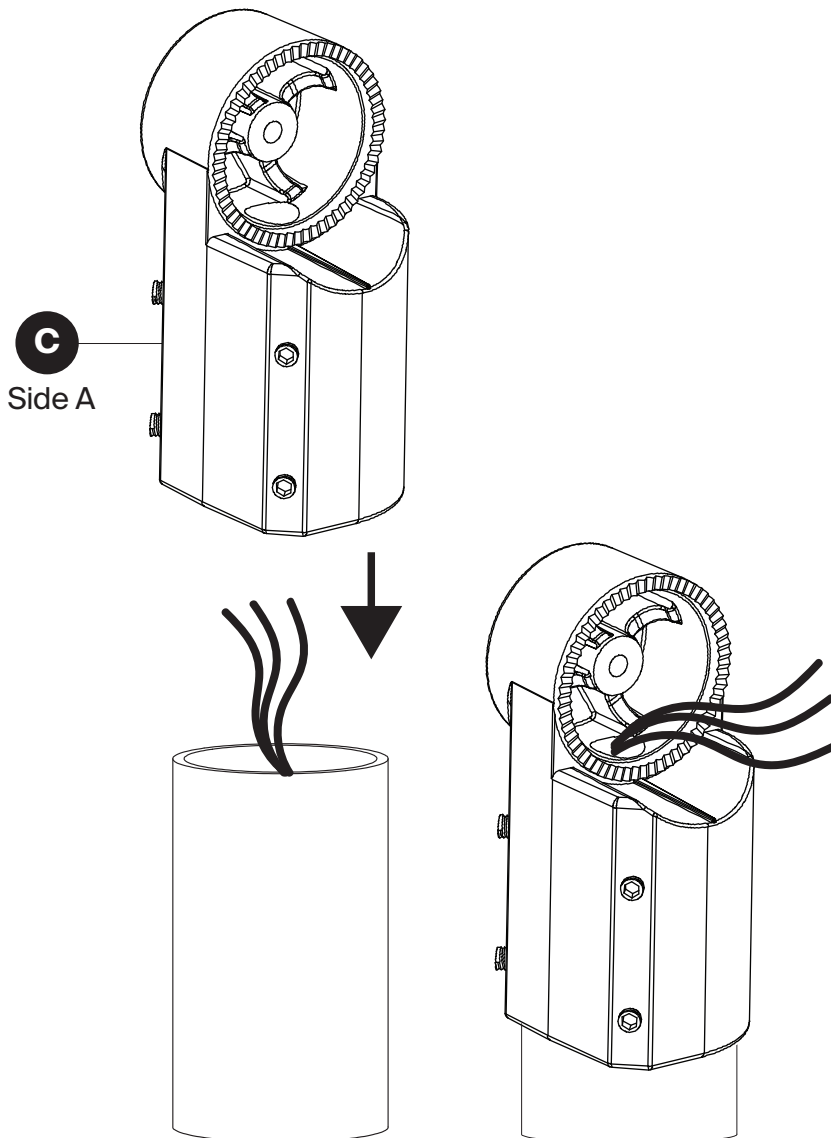


### 3A SLIPFITTER KNUCKLE ARM MOUNTING

Attach slipfitter to pole, pipe, or tenon

(applicable for 2-3/8" O.D. round pipe, poles or tenon mounting only)

- Slide slipfitter (C) side A onto pipe, pole top or tenon.
- Route supply wires into bottom of slipfitter (C) and out the opening in the side as shown in. (fig 7)

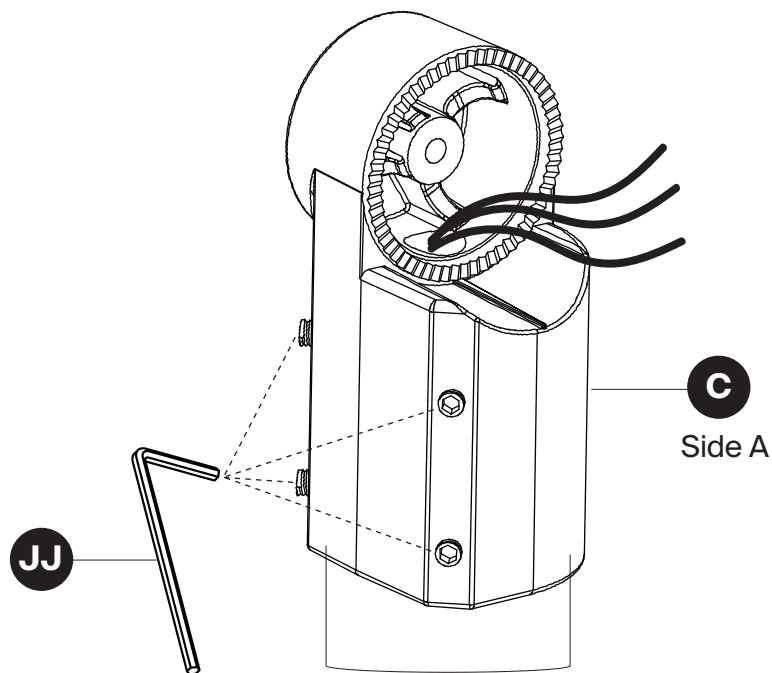


(fig 7).

## 3B SLIPFITTER KNUCKLE ARM MOUNTING

### Tighten set screws

- Tighten the 4 set screws using allen key 5/32" (JJ) as shown in (fig 8)



(fig 8).

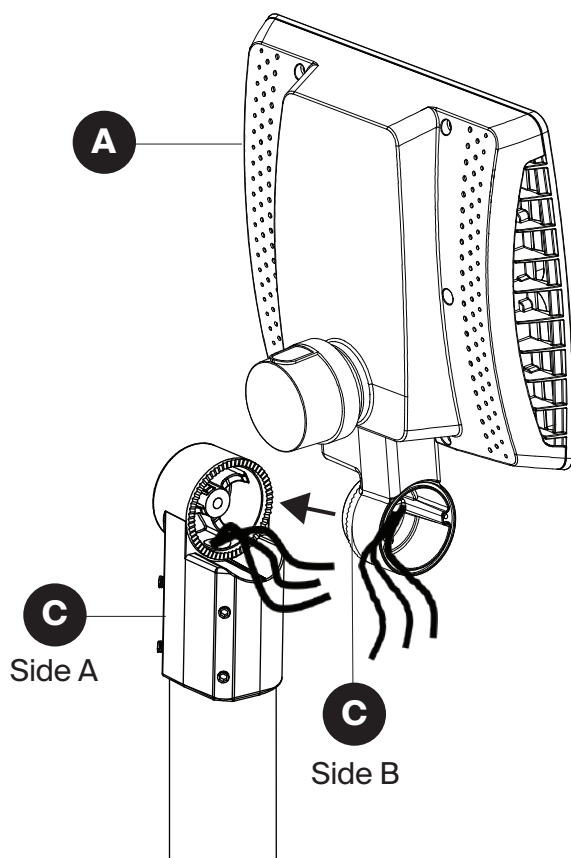
## 3C SLIPFITTER KNUCKLE ARM MOUNTING

### Attach light fixture to slipfitter

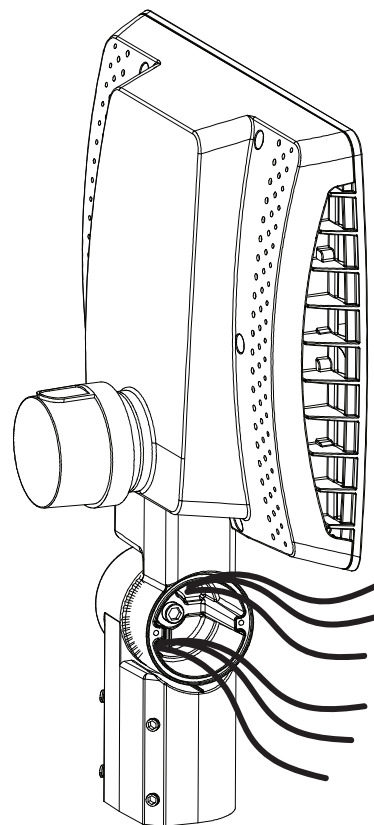


**NOTE:** The fixture comes with the 2-3/8" swivel slip-fitter arm (C) side B already attached to the fixture(A).

- Align the light fixture (A) and slipfitter (C) side B with slipfitter (C) side A. (fig 9)
- Route supply wires from slipfitter (C) side A through holes in slipfitter (C) side B. (fig 10)



(fig 9).



(fig 10).



## 3E SLIPFITTER KNUCKLE ARM MOUNTING

### Making electrical connections

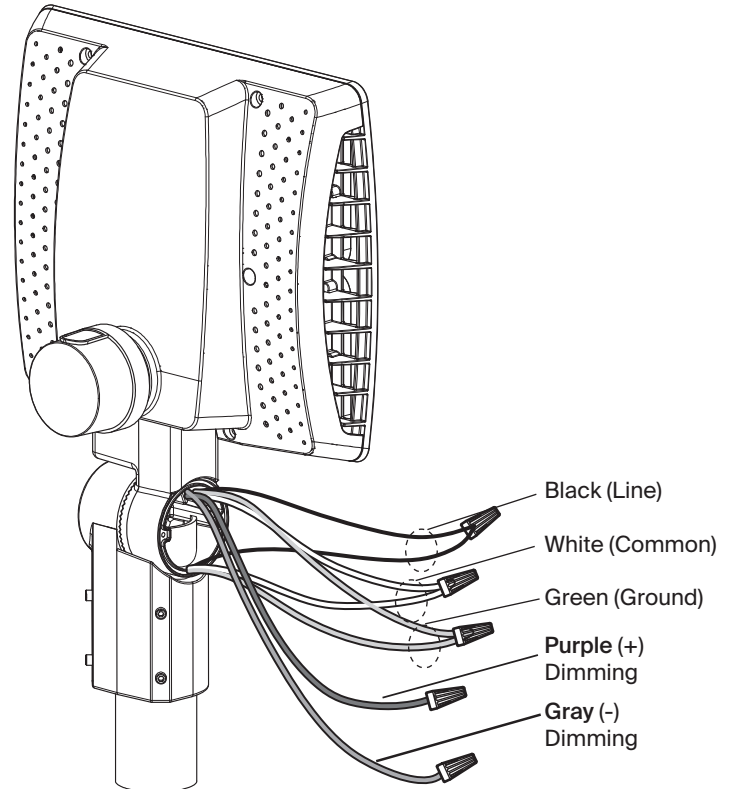
#### FOR NON-DIMMING ELECTRICAL WIRING

(Follow these steps when NOT wiring to a 0-10V dimmer)

- Connect lighting fixture black wire to supply black wire (line), lighting fixture white wire to supply white wire (common), and the lighting fixture green wire to the supply ground wire (fig 12).
- **For the purple and gray fixture wires** individually terminate fixture's purple and gray wires with wire nuts to prevent shorting (fig 12).



**NOTICE:** Leave Purple & Gray wires terminated & separated when NOT connecting to a 0-10V dimmer. DO NOT connect the purple and gray wires to any other wires unless wiring to a 0-10V dimmer.



(fig 12).

#### FOR ELECTRICAL WIRING TO 0-10V DIMMER

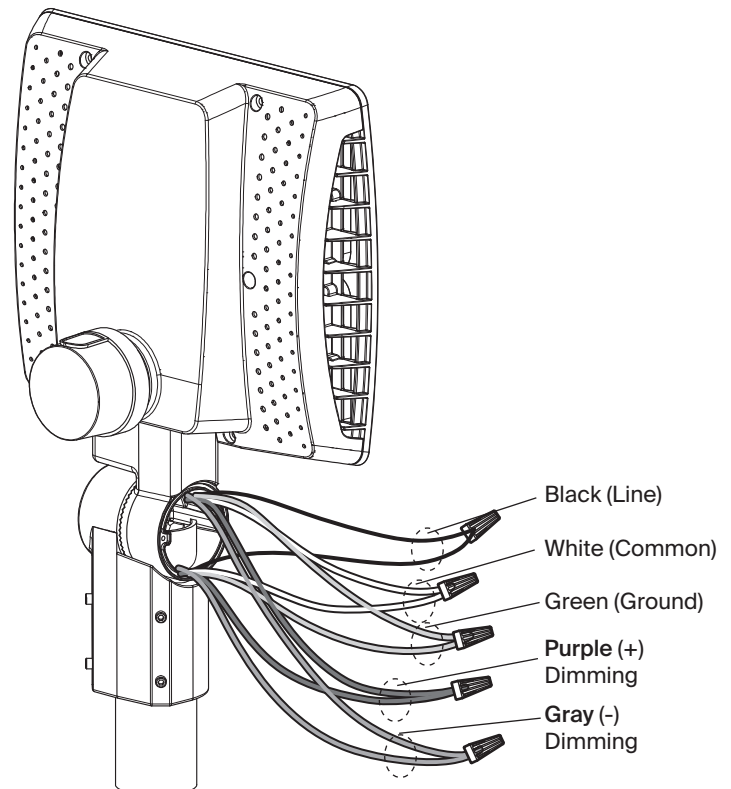
(Follow these steps when wiring to a 0-10V dimmer)

- Connect lighting fixture black wire to supply black wire (line), lighting fixture white wire to supply white wire (common), and the lighting fixture green wire to the supply ground wire.
- For dimming wires, when connecting to a 0-10V dimmer, connect the lighting fixture purple wire to the dimmer switch purple wire (+ DIM) and the lighting fixture gray wire to the dimmer switch gray wire (- DIM). (fig 13)



**TIP:** Hold stripped ends near each other and align any frayed strands (do not twist wires).

Push the wires into wire nut (AA) and use your fingers to twist the wire nut clockwise until tight. Check for tightness by pulling wires.

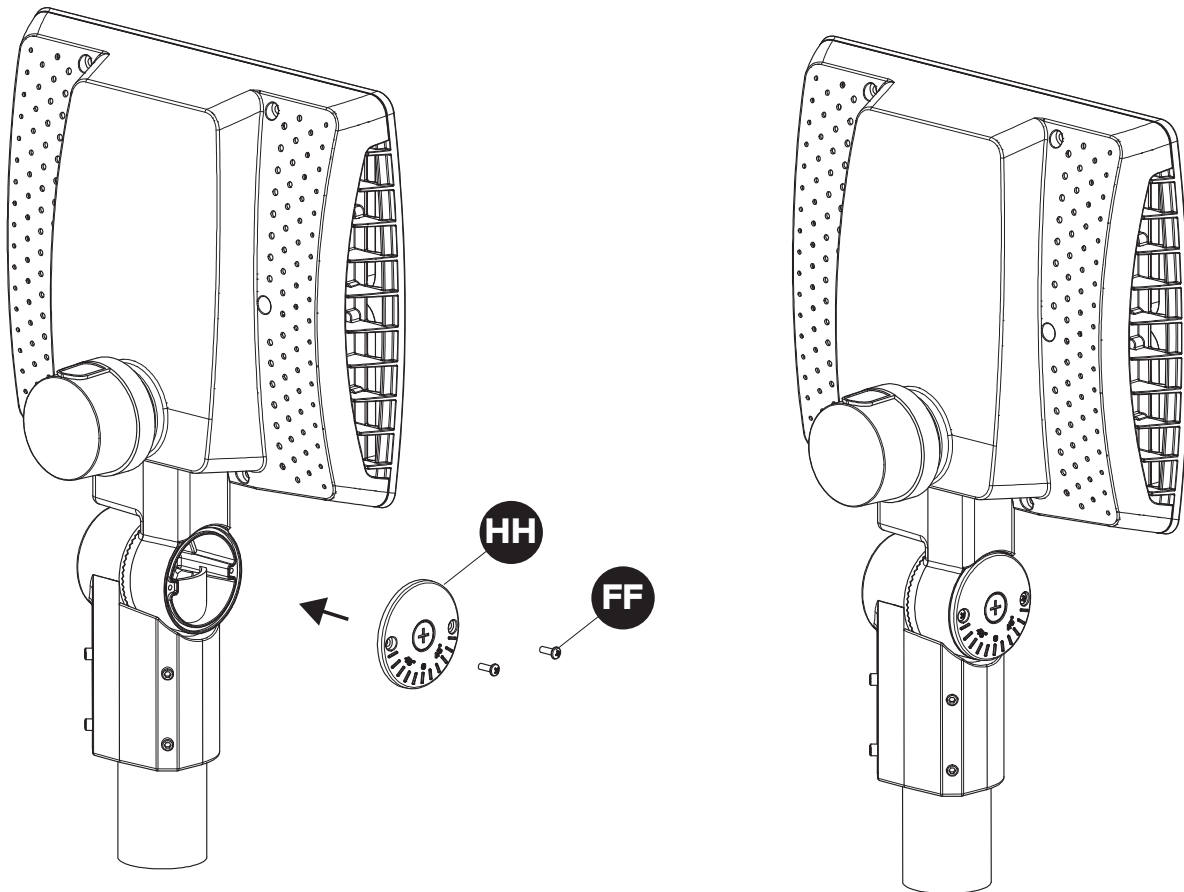


(fig 13).

# 3F MAKING ELECTRICAL CONNECTIONS

### Install cover plate

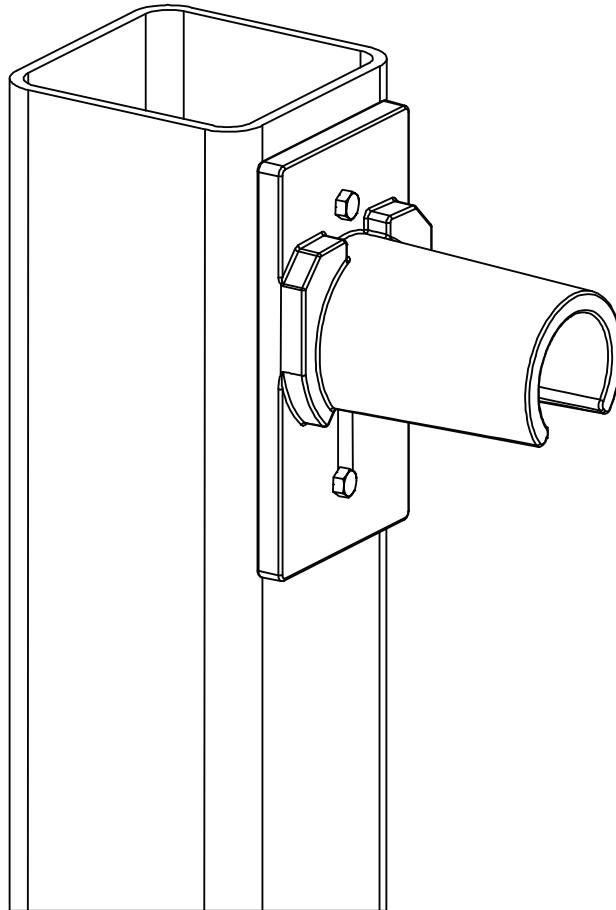
- Tuck completed wiring into knuckle section.
- Attach using 8-32 screws (FF). Take care not to pinch wires when installing slipfitter cover (HH).



(fig 14).

# FOR MOUNTING DIRECTLY TO A SQUARE METAL POLE

Follow Step 4A to 4H  
Pages 15 to 20



## JUMP AHEAD IF...

---



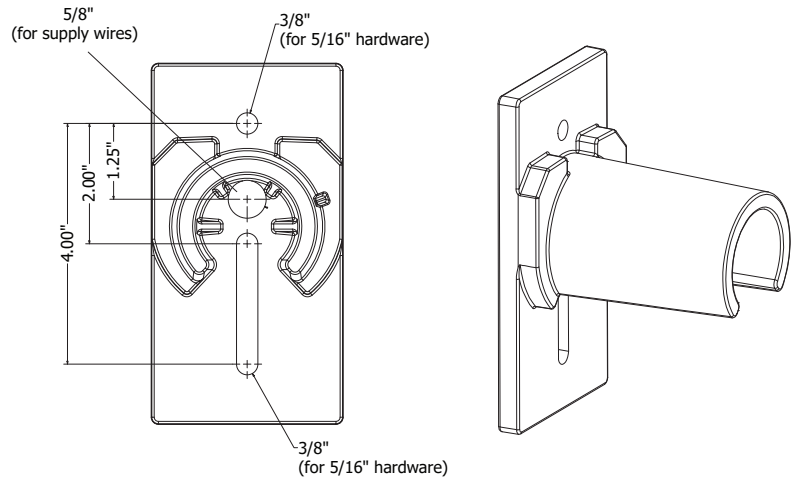
**MOUNTING TO WALL OR FLAT SURFACE  
WITH THE INCLUDED TENON ARM PIPE**

Jump to Step 5 starting on Page 20

## INSTALLATION (CONTINUED)

# 4A MOUNTING FIXTURE ON THE SQUARE POLE DRILL MOUNTING HOLES ON THE SURFACE (APPLICABLE FOR WALL, SQUARE & ROUND POLE)

- Remove the pole's top cover, if applicable.
- Drill mounting holes into the pole or surface by referring to the drilling details in (fig 15).



Drilling details

(fig 15).

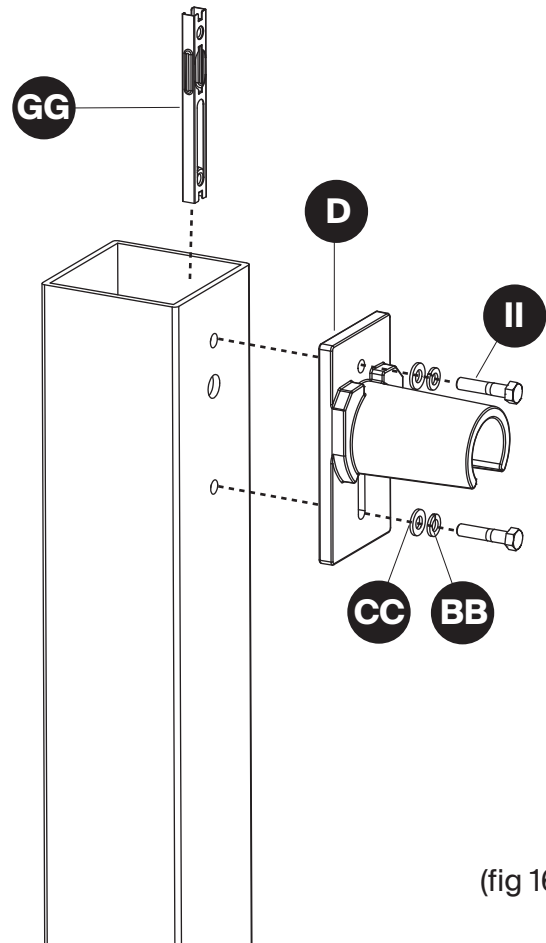
# 4B MOUNTING FIXTURE ON THE SQUARE POLE



**IMPORTANT NOTE:** Pay attention to threading the wire through the center hole in the assembly of parts.

### For Square Pole Only:

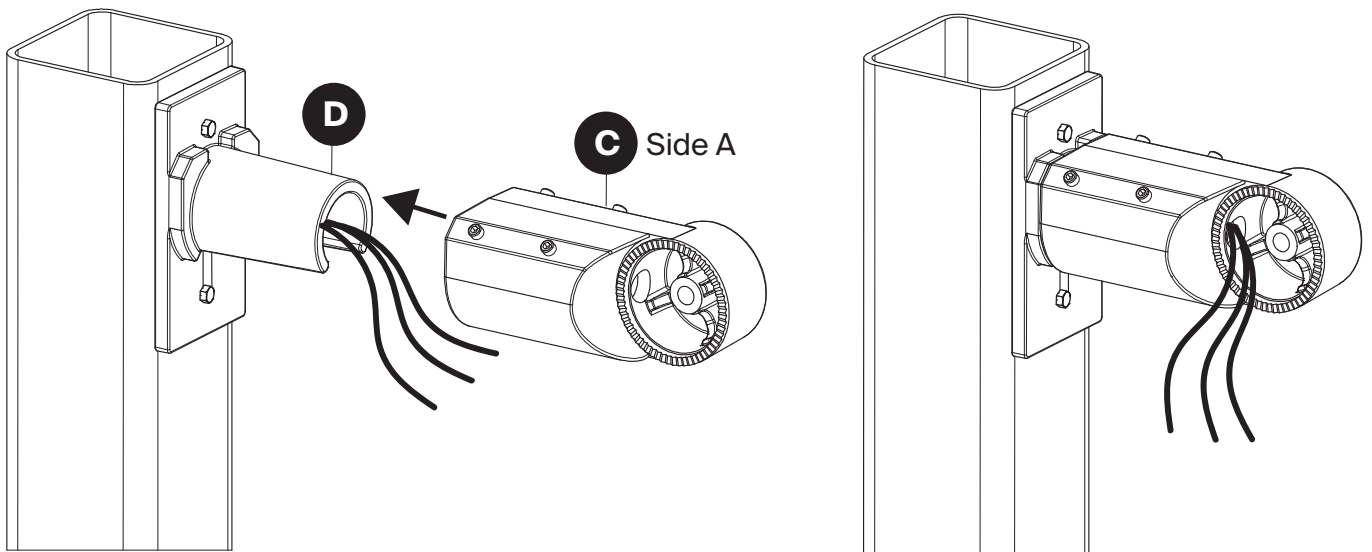
- Align the horizontal tenon adapter (D) holes with the holes in the pole.
- Fix the horizontal tenon adapter (D) by inserting the two hex head bolts (II) through the adapter (C), two flat washers (CC), two split washers (BB), the pole and the mounting nut plate (GG), which is inside the pole (fig 16).
- Tighten the two hex head bolts (II) to 140 in-lbs (16 Nm).



(fig 16).

# 4C MOUNTING FIXTURE ON THE SQUARE POLE

- Slide slipfitter (C) side A onto horizontal tenon adapter (D).
- Route supply wires into bottom of slipfitter (C) and out the opening in the side as shown in (fig 8).

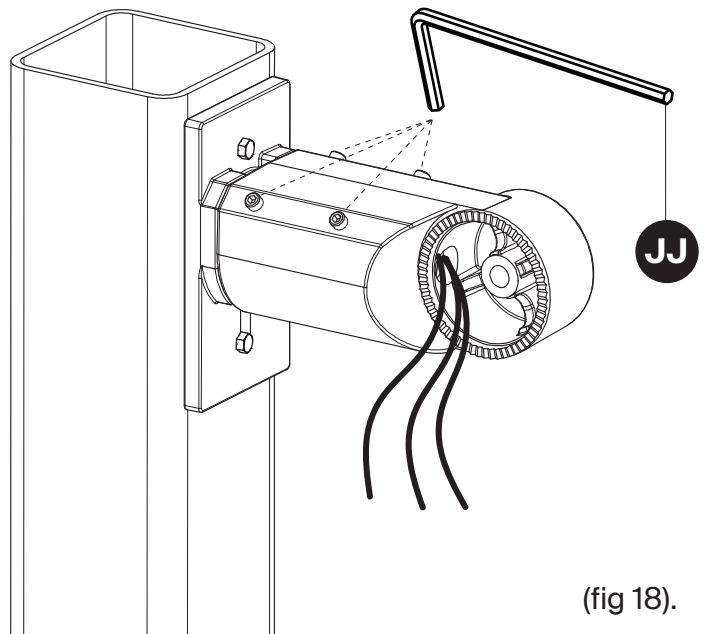


(fig 17).

## 4D SLIPFITTER KNUCKLE ARM MOUNTING

### Tighten set screws

- Tighten the 4 set screws using allen key 5/32" (JJ) as shown in (fig 9)



(fig 18).

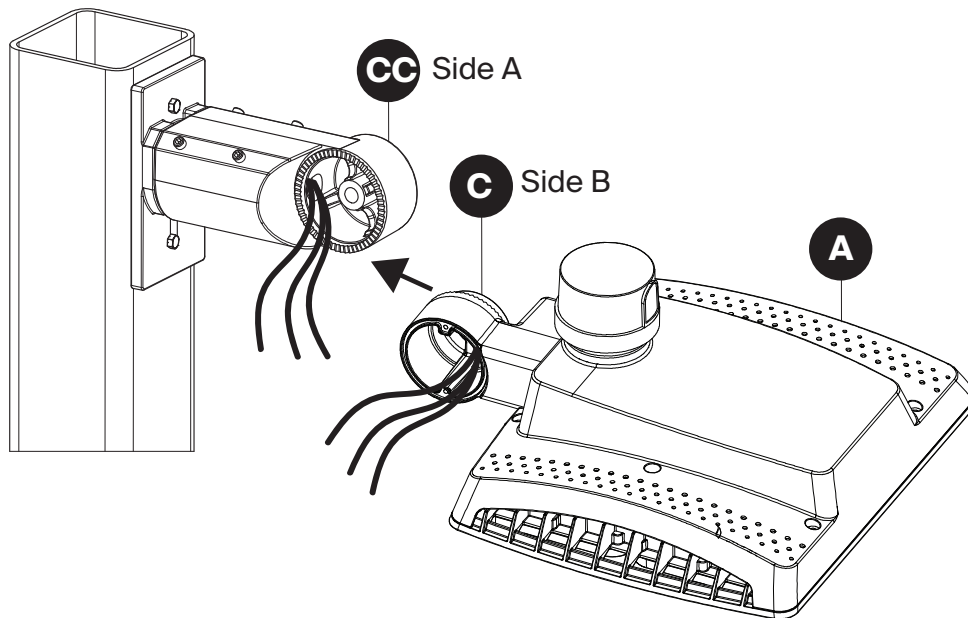
## 4E MOUNTING FIXTURE ON THE SQUARE POLE

### Attach light fixture to slipfitter

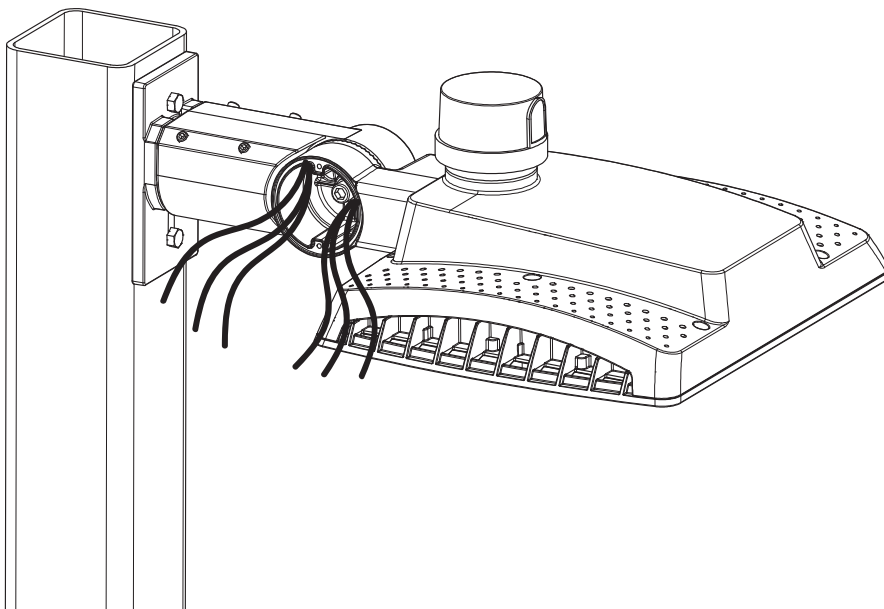


**NOTE:** The fixture comes with the 2-3/8" swivel slip-fitter arm (C) side B already attached to the fixture(A).

- Align the light fixture (A) and slipfitter (C) side B with slipfitter (C) side A. (fig 19)
- Route supply wires from slipfitter (C) side A through holes in slipfitter (C) side B. (fig 20)



(fig 19).

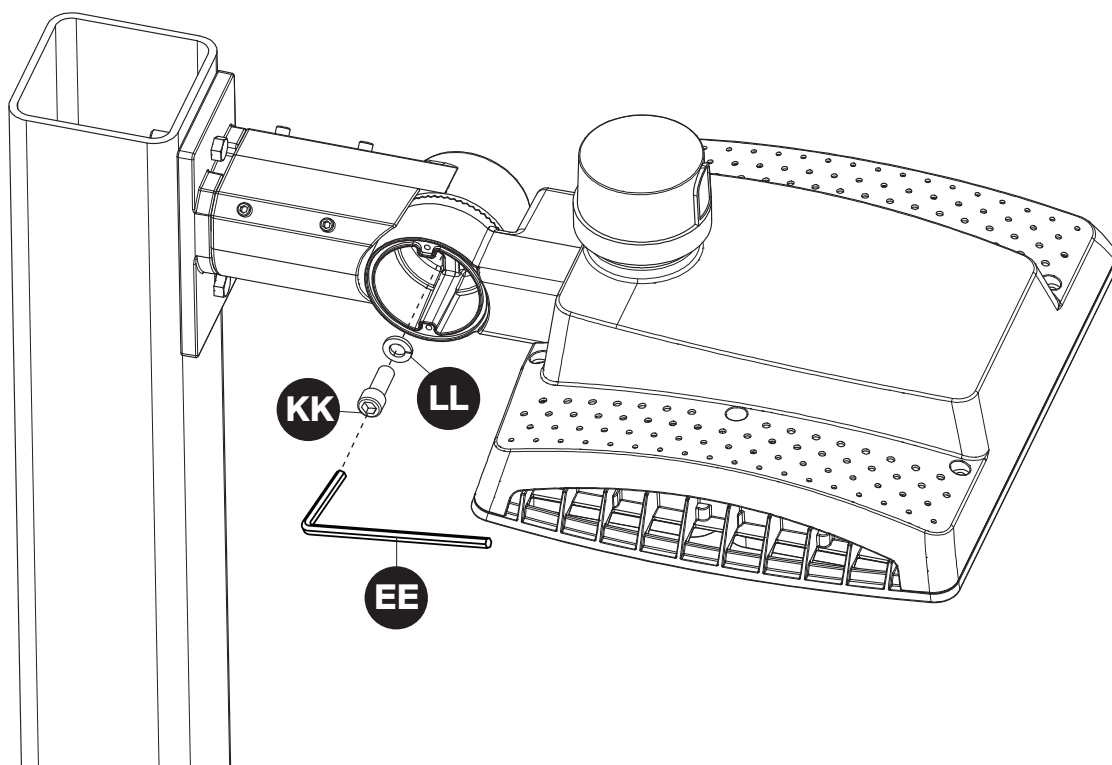


(fig 20).

# 4F MOUNTING FIXTURE ON THE SQUARE POLE

### Tighten center bolt

- Select the desired aiming angle, then insert 3/8" spring washer (LL) and 3/8" center bolt (KK) through slipfitter (C) side B and into slipfitter (C) side A.
- Tighten 3/8" center bolt (KK) to 20 ft-lbs of torque. (fig 21)



(fig 21).

## 4G MOUNTING FIXTURE ON THE SQUARE POLE

### Making electrical connections

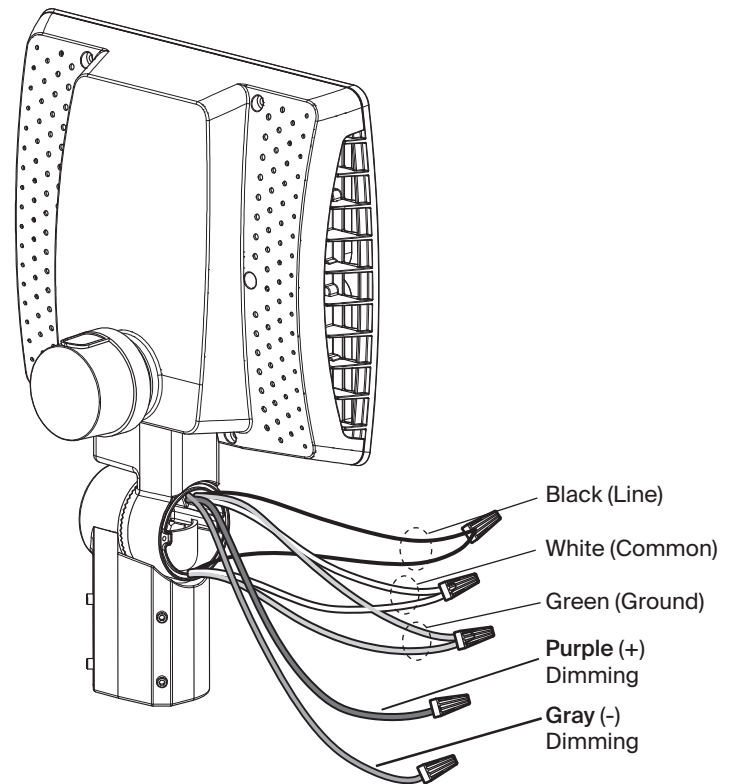
#### FOR NON-DIMMING ELECTRICAL WIRING

(Follow these steps when NOT wiring to a 0-10V dimmer)

- Connect lighting fixture black wire to supply black wire (line), lighting fixture white wire to supply white wire (common), and the lighting fixture green wire to the supply ground wire (fig 22).
- **For the purple and gray fixture wires** individually terminate fixture's purple and gray wires with wire nuts to prevent shorting (fig 22).



**NOTICE:** Leave Purple & Gray wires terminated & separated when NOT connecting to a 0-10V dimmer. DO NOT connect the purple and gray wires to any other wires unless wiring to a 0-10V dimmer.



(fig 22).

#### FOR ELECTRICAL WIRING TO 0-10V DIMMER

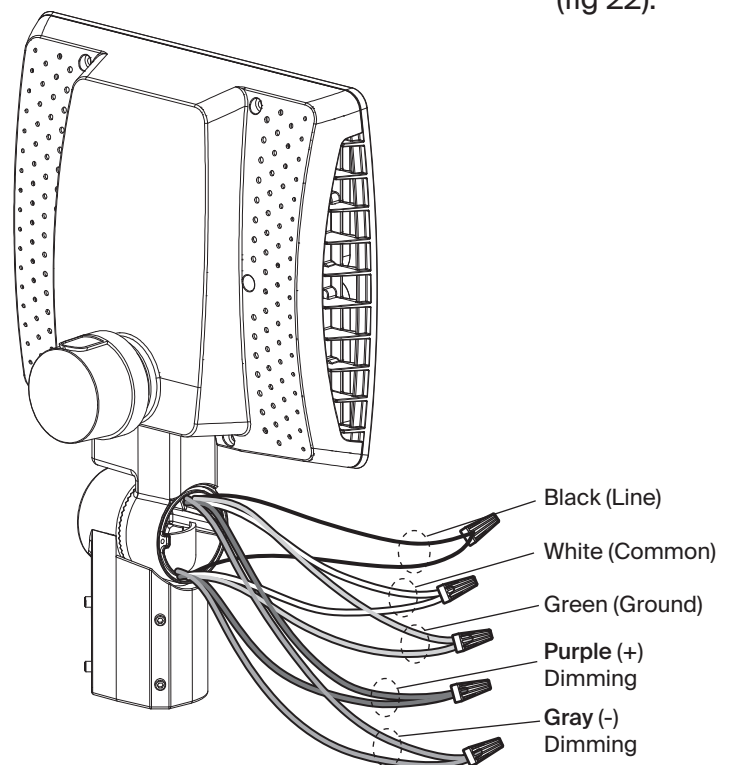
(Follow these steps when wiring to a 0-10V dimmer)

- Connect lighting fixture black wire to supply black wire (line), lighting fixture white wire to supply white wire (common), and the lighting fixture green wire to the supply ground wire.
- For dimming, when connecting to a 0-10V dimmer, connect the lighting fixture purple wire to the dimmer switch purple wire (+ DIM) and the lighting fixture gray wire to the dimmer switch gray wire (- DIM). (fig 23)



**TIP:** Hold stripped ends near each other and align any frayed strands (do not twist wires).

Push the wires into wire nut (AA) and use your fingers to twist the wire nut clockwise until tight. Check for tightness by pulling wires.

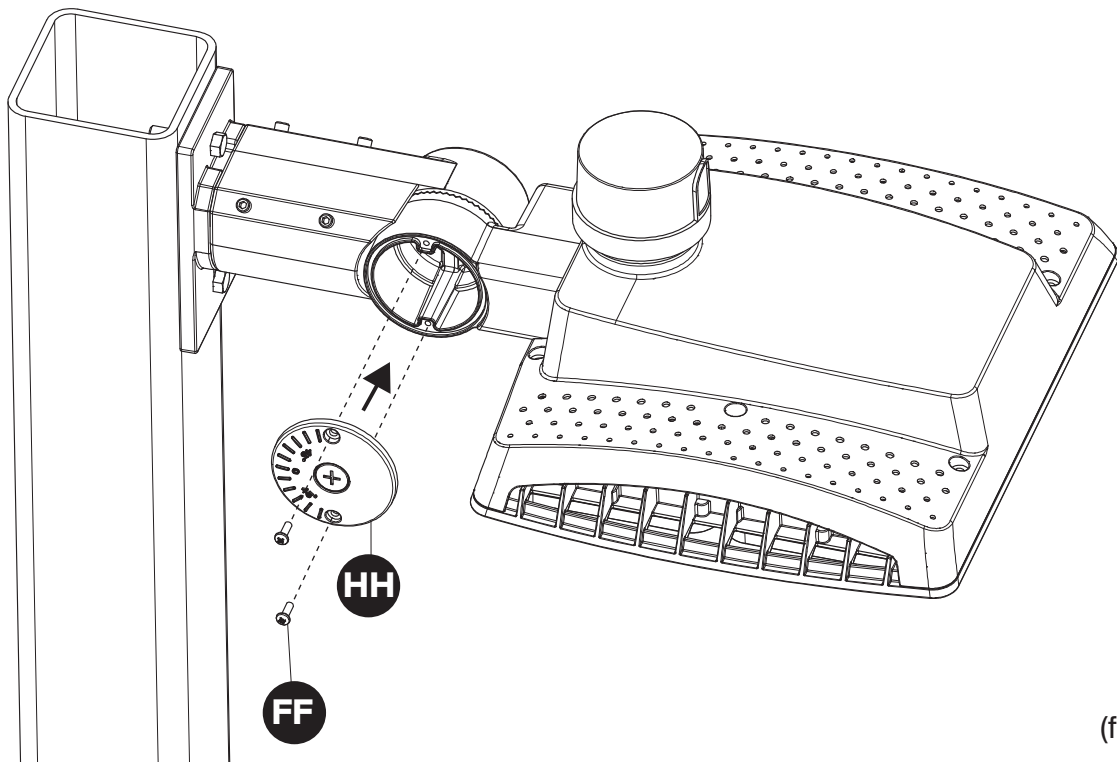


(fig 23).

# 4H MAKING ELECTRICAL CONNECTIONS

### Install cover plate

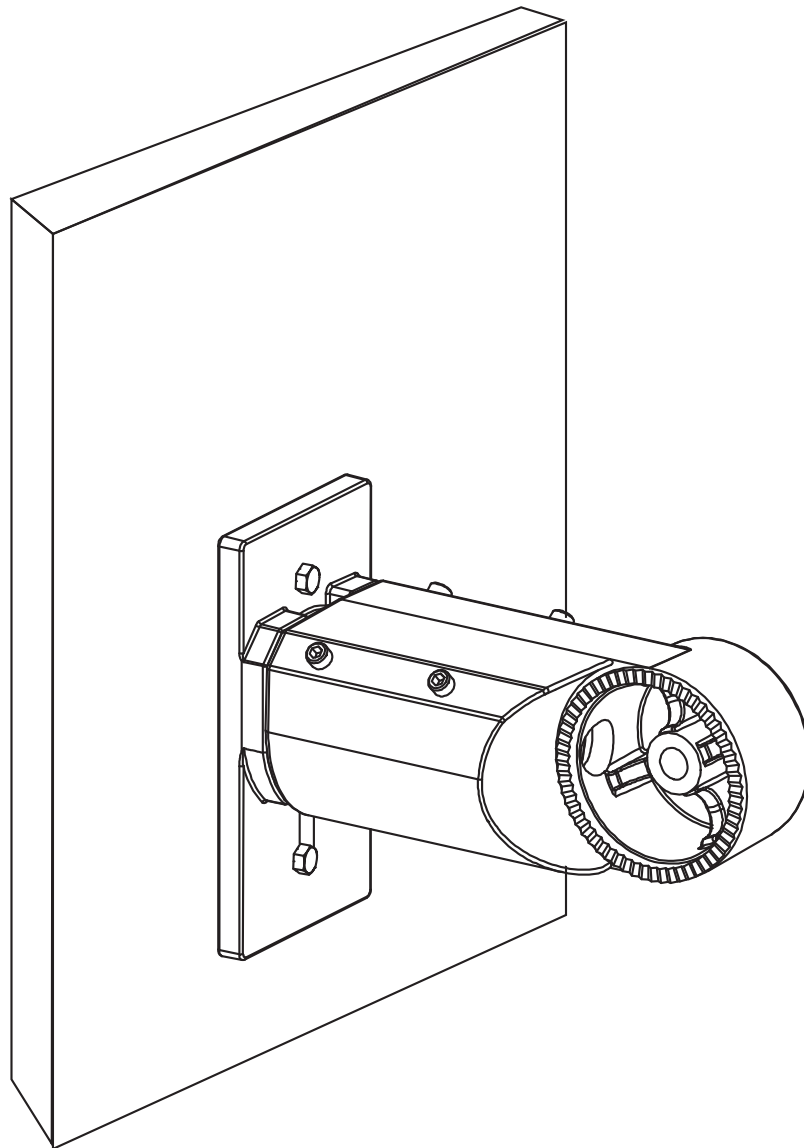
- Tuck completed wiring into knuckle section.
- Attach using 8-32 screws (FF). Take care not to pinch wires when installing slipfitter cover (HH).



(fig 24).

# FOR MOUNTING TO A WALL OR FLAT SURFACE

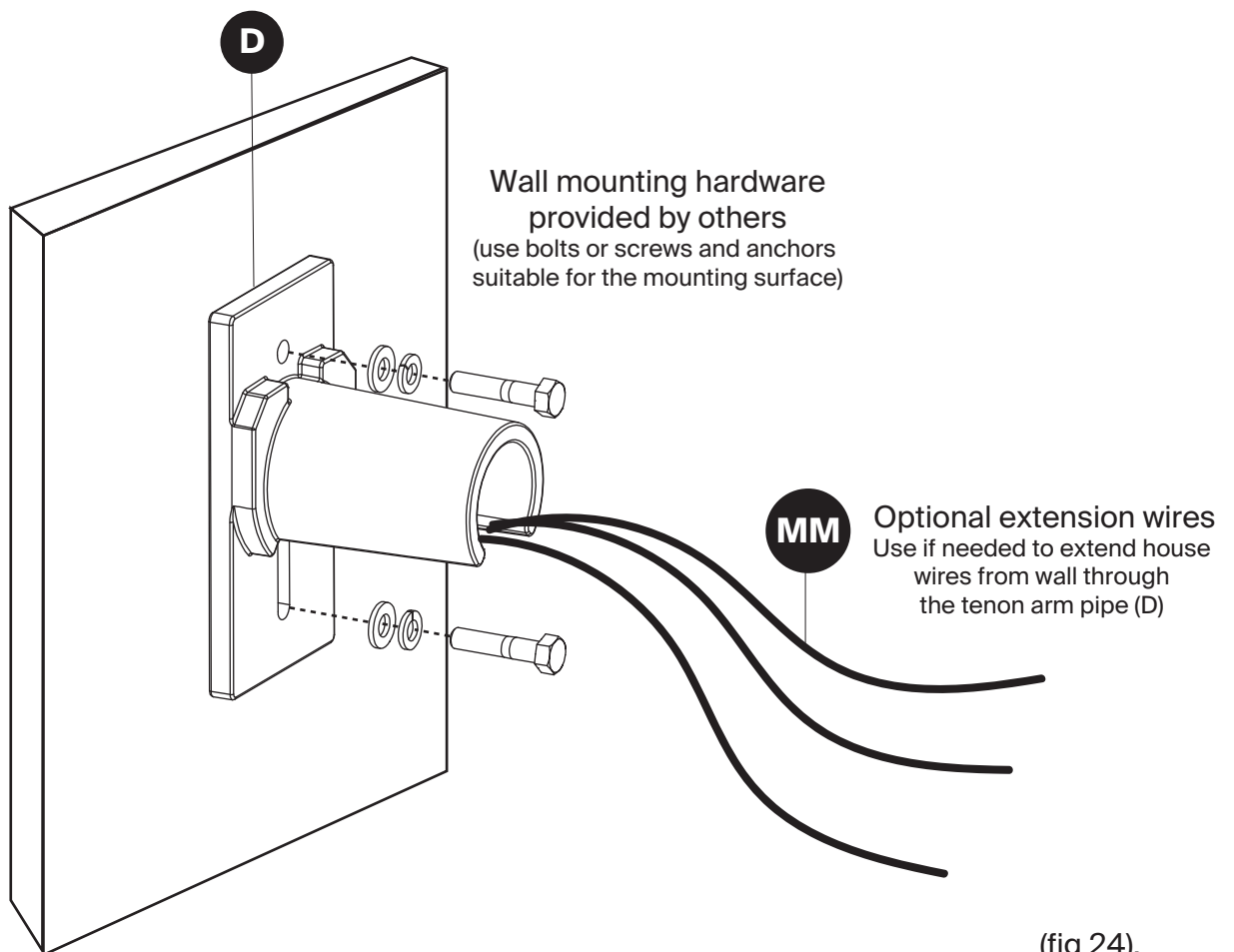
Follow Step 5A to 5G  
Pages 21 to 26



# 5A MOUNTING FIXTURE ON THE WALL

### For Direct to Wall:

- Align the horizontal tenon adapter (D) holes with the holes pre-drilled in the wall.
- Use proper bolts or wall anchors, for the type of wall (provided by others), and tighten to sufficient torque setting.
- Consult with qualified electrician to determine best mounting method and bolts for wall mount.
- If needed use supplied electrical cable (MM) to extend wiring from wall or junction box. Route electrical wires through the center hole in the horizontal tenon adapter (D).



(fig 24).



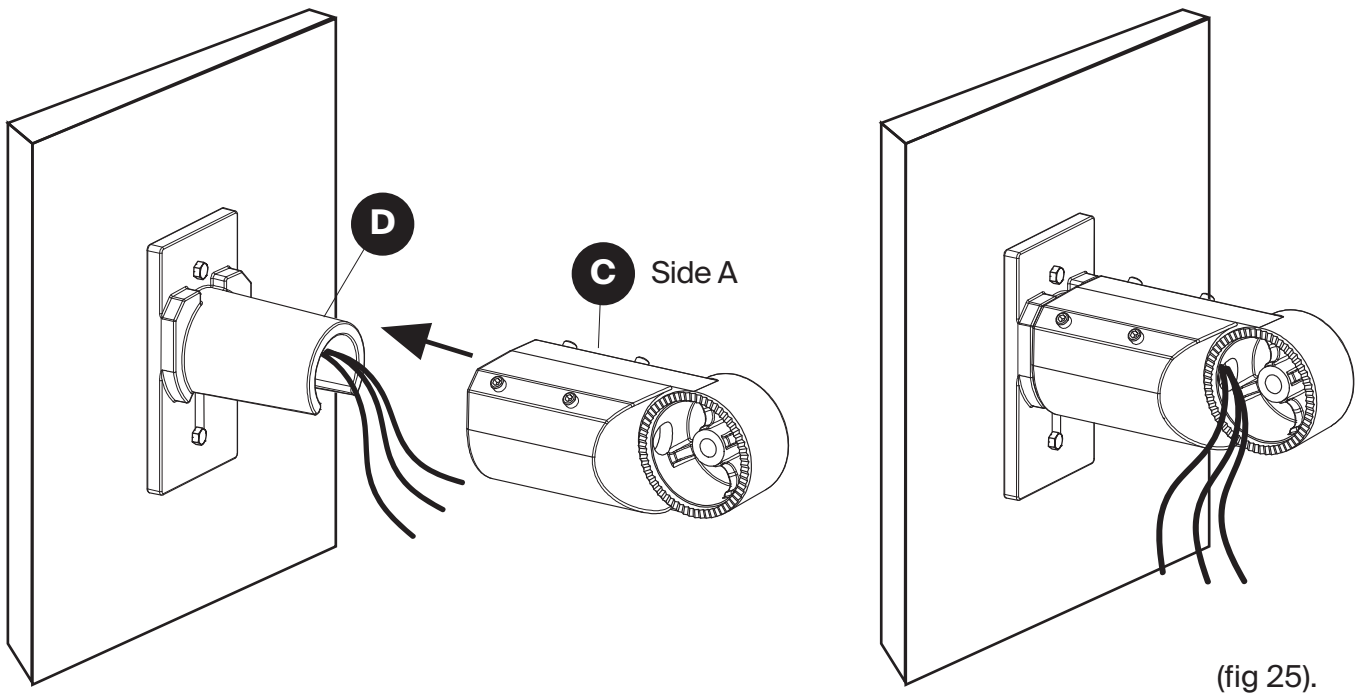
**CAUTION:** Do not use the bolts included in the hardware kit for direct to wall (they are intended for hollow metal pole mounting). Use bolts or screws and anchors suitable for the wall's surface material. Consult with qualified electrician to help determine best mounting method and bolts for wall mount.



**NOTE:** The light fixture has precision Type IV forward throw optics so when using extension arm mount keep fixture in the 0° position.

# 5B MOUNTING FIXTURE ON THE WALL

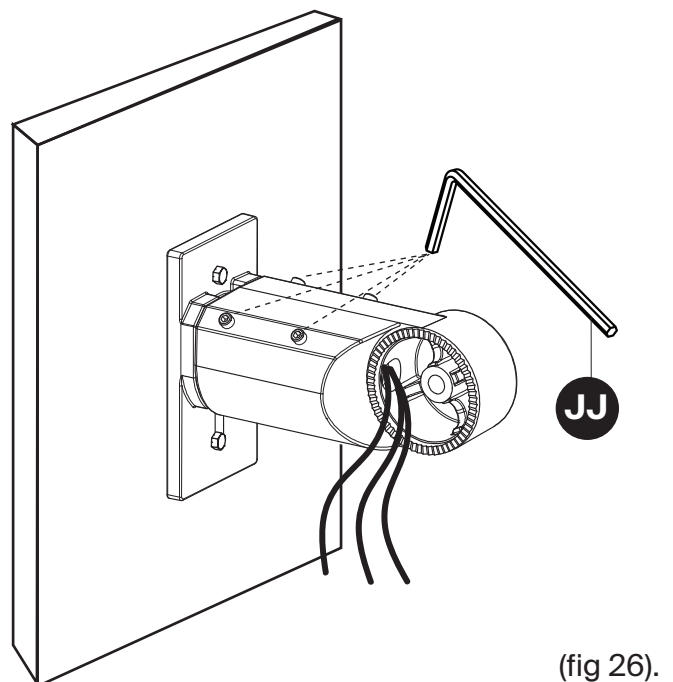
- Slide slipfitter (C) side A onto horizontal tenon adapter (D).
- Route supply wires into bottom of slipfitter (C) and out the opening in the side as shown in (fig 25)



# 5C MOUNTING FIXTURE ON THE WALL

## Tighten set screws

- Tighten the 4 set screws using allen key 5/32" (JJ) as shown in (fig 26)



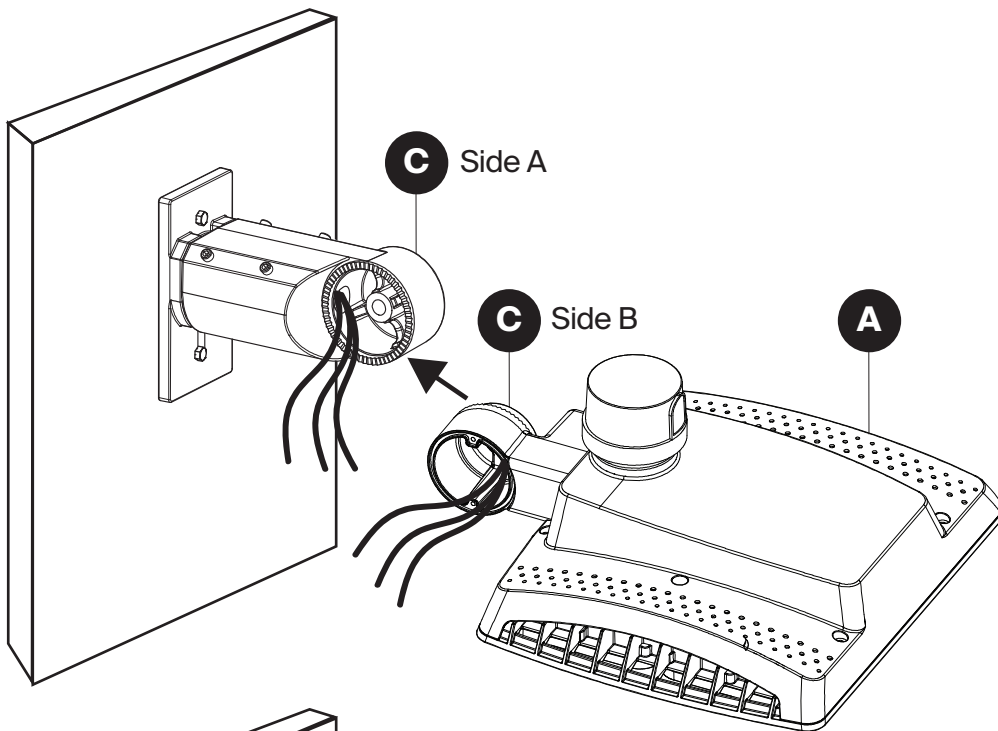
# 5D MOUNTING FIXTURE ON THE WALL

### Attach light fixture to slipfitter

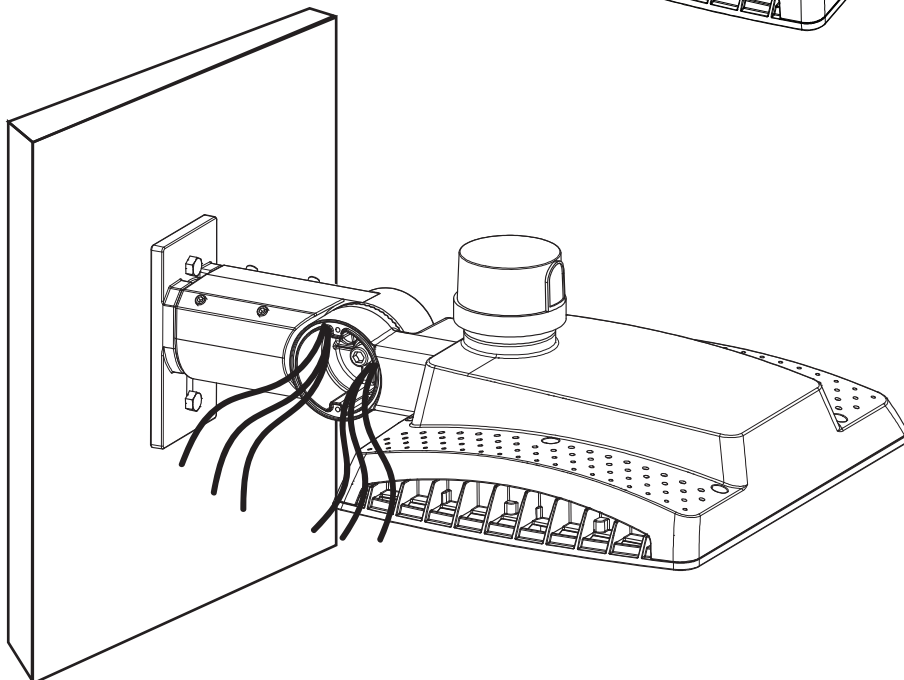


**NOTE:** The fixture comes with the 2-3/8" swivel slip-fitter arm (C) side B already attached to the fixture(A).

- Align the light fixture (A) and slipfitter (C) side B with slipfitter (C) side A. (fig 27)
- Route supply wires from slipfitter (C) side A through holes in slipfitter (C) side B. (fig 28)



(fig 27).

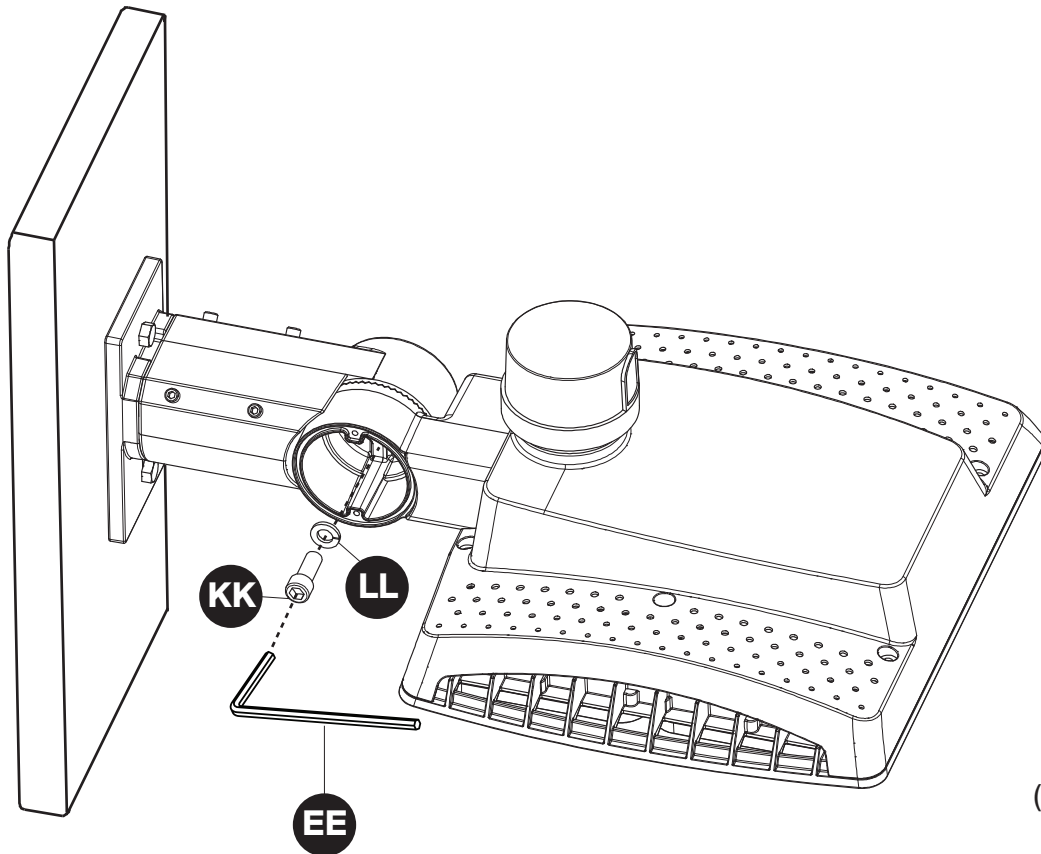


(fig 28).

# 5E MOUNTING FIXTURE ON THE WALL

### Tighten center bolt

- Select the desired aiming angle, then insert 3/8" spring washer (LL) and 3/8" center bolt (KK) through slipfitter (C) side B and into slipfitter (C) side A.
- Tighten 3/8" center bolt (KK) to 20 ft-lbs of torque. (fig 11)



(fig 29).

## 5F MOUNTING FIXTURE ON THE WALL

### Making electrical connections

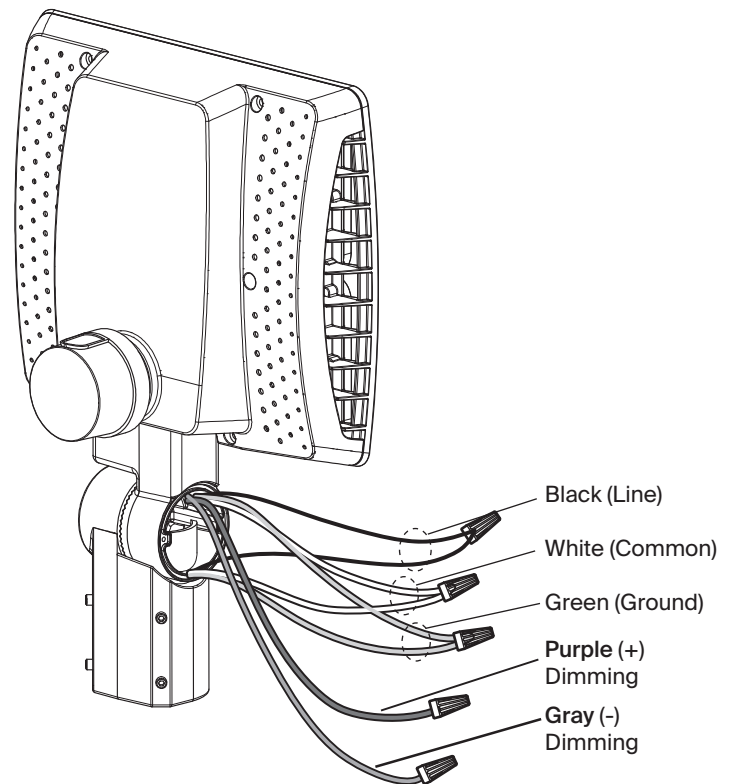
#### FOR NON-DIMMING ELECTRICAL WIRING

(Follow these steps when NOT wiring to a 0-10V dimmer)

- Connect lighting fixture black wire to supply black wire (line), lighting fixture white wire to supply white wire (common), and the lighting fixture green wire to the supply ground wire (fig 11).
- **For the purple and gray fixture wires** individually terminate fixture's purple and gray wires with wire nuts to prevent shorting (fig 11).



**NOTICE:** Leave Purple & Gray wires terminated & separated when NOT connecting to a 0-10V dimmer. DO NOT connect the purple and gray wires to any other wires unless wiring to a 0-10V dimmer.



(fig 30).

#### FOR ELECTRICAL WIRING TO 0-10V DIMMER

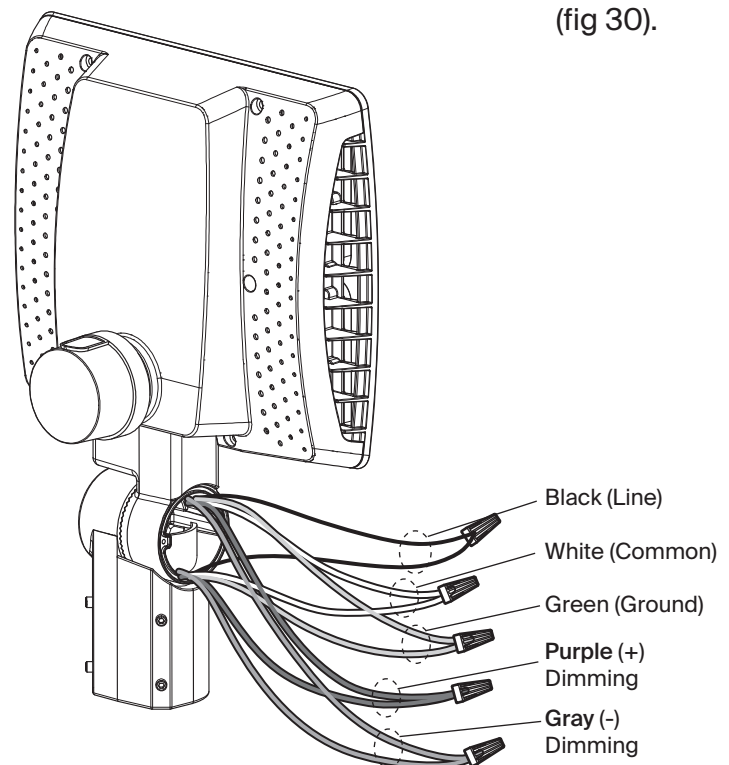
(Follow these steps when wiring to a 0-10V dimmer)

- Connect lighting fixture black wire to supply black wire (line), lighting fixture white wire to supply white wire (common), and the lighting fixture green wire to the supply ground wire.
- For dimming, when connecting to a 0-10V dimmer, connect the lighting fixture purple wire to the dimmer switch purple wire (+ DIM) and the lighting fixture gray wire to the dimmer switch gray wire (- DIM). (fig 12)



**TIP:** Hold stripped ends near each other and align any frayed strands (do not twist wires).

Push the wires into wire nut (AA) and use your fingers to twist the wire nut clockwise until tight. Check for tightness by pulling wires.

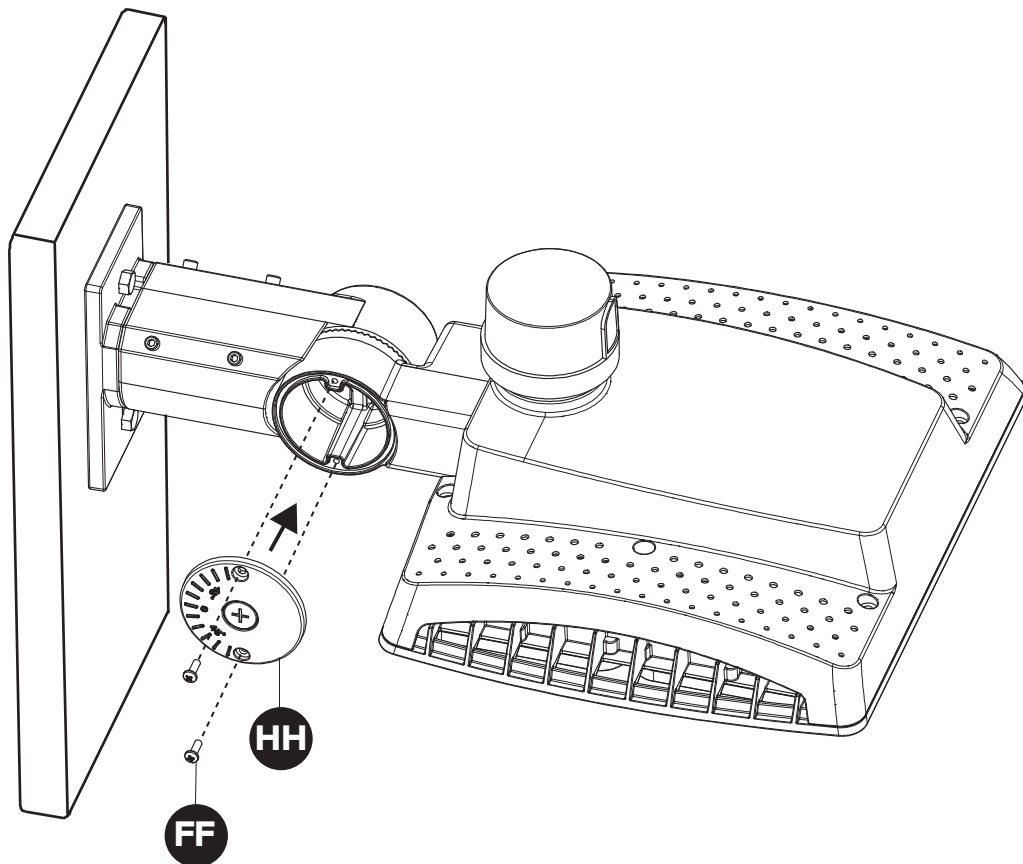


(fig 31).

# 5G MOUNTING FIXTURE ON THE WALL

### Install cover plate

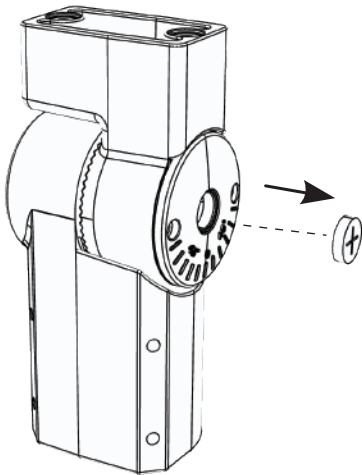
- Tuck completed wiring into knuckle section.
- Attach using 8-32 screws (FF). Take care not to pinch wires when installing slipfitter cover (HH).



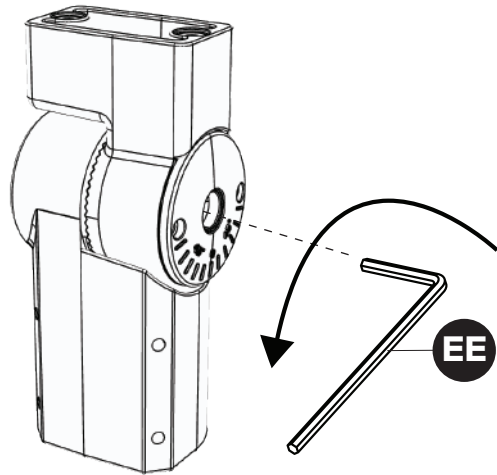
(fig 32).

# 6A ADJUST THE FIXTURE HEAD ORIENTATION ON SLIPFITTER KNUCKLE

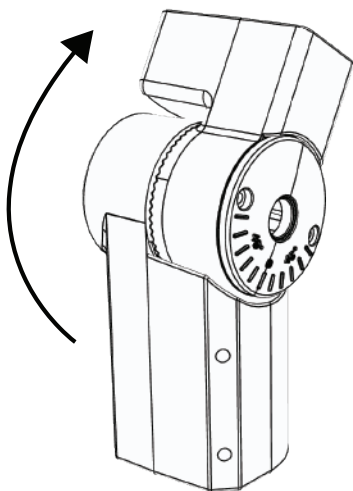
- ❑ Remove the plug from the side of the knuckle arm (C). (fig 33)
- ❑ Use the 5/16" allen key (EE) to loosen the 3/8" center bolt. (fig 34)
- ❑ Adjust the angle to desired orientation for the fixture. (fig 35)
- ❑ Retighten center screw to 20 ft-lbs (27 Nm) of torque. (fig 36)
- ❑ Replace the plug into the knuckle arm (C). (fig 37)



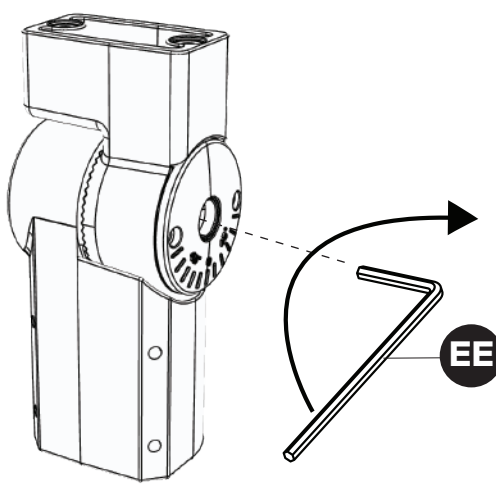
(fig 33)



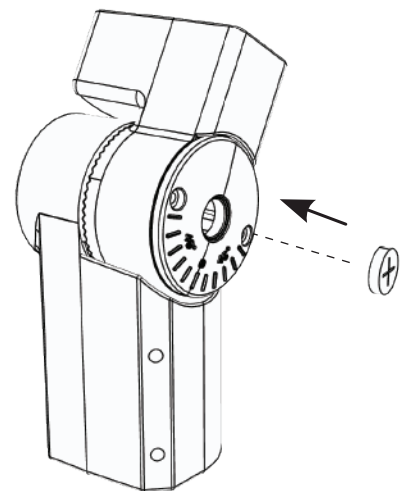
(fig 34)



(fig 35)



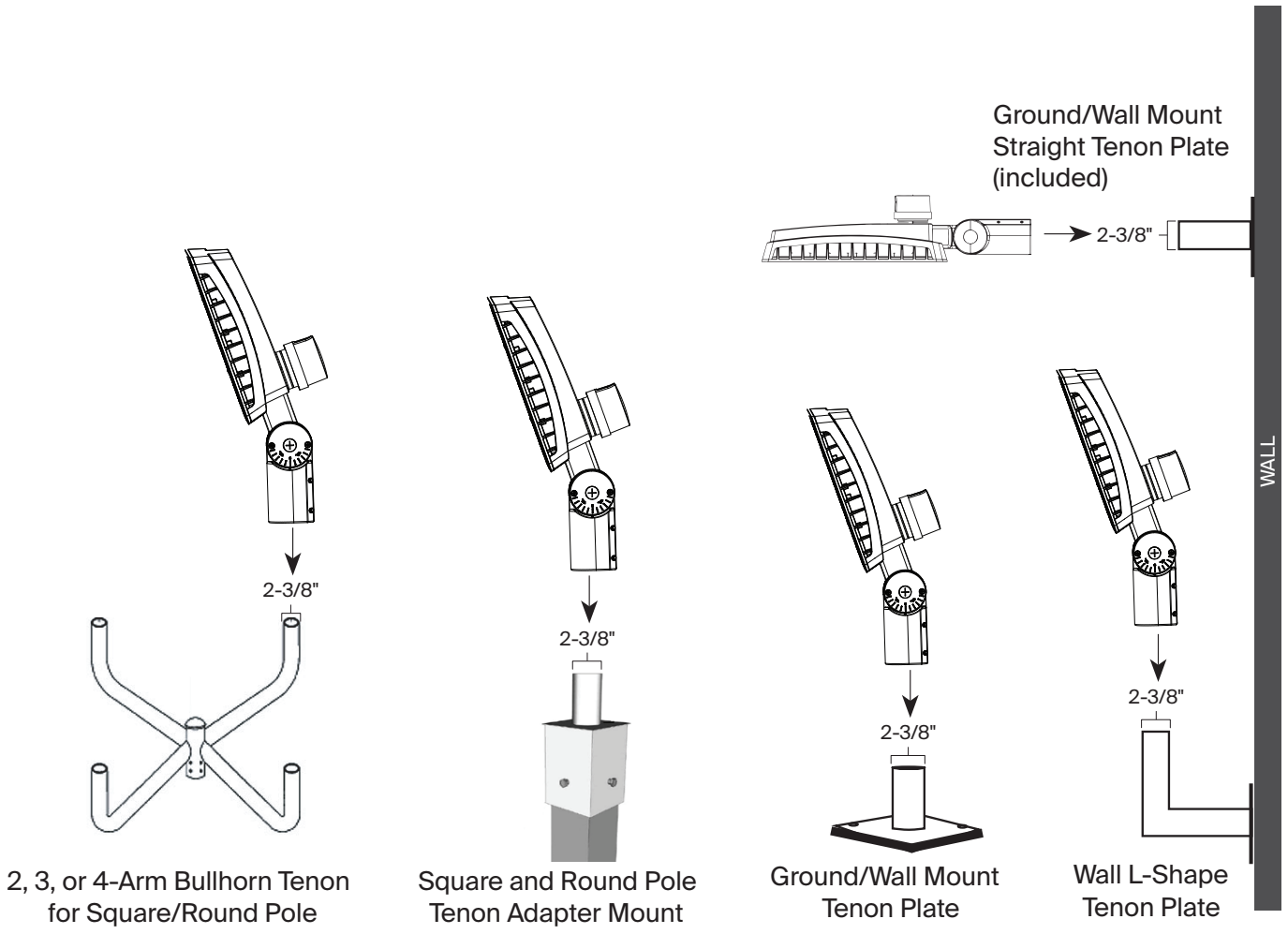
(fig 36)



(fig 37)

## 6B SLIP-FITTER TENON MOUNTING ACCESSORIES

- Mounting accessories for standard 2-3/8" slip-fitters are available. Please visit your local hardware store or contact our customer support so we can assist in securing mounts and accessories.



(fig 38).

# OPERATION

## 1 SELECTING DUSK-TO-DAWN OR SWITCH-ACTIVATED CONTROL

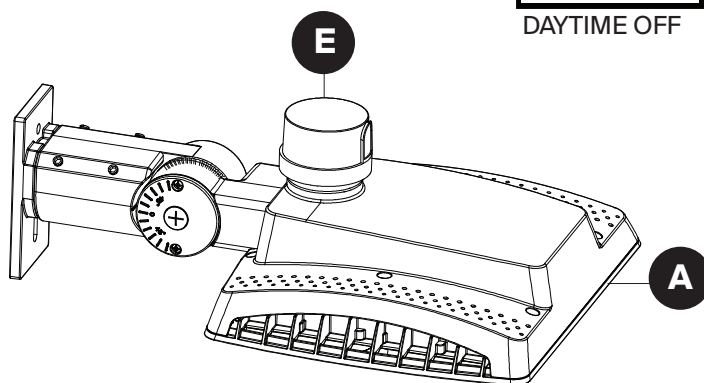


**NOTE:** Photocell (E) must be installed on fixture for both dusk-to-dawn and switch controlled operation. Fixture will not work if photocell is not installed.

### OPTION 1: DUSK-TO-DAWN OPERATION

*Dusk-to-dawn operation enables the light fixture to automatically turn ON when dark outside and turn OFF when the sun rises, thus saving you energy.*

- To enable dusk-to-dawn operation make sure the photocell (E) is exposed to light and is unobstructed.
- Ensure the switch powering the outlet connected to the light fixture is turned to the ON position and **leave it ON** at all times to enable dusk-to-dawn functionality to operate automatically.



(fig 39).

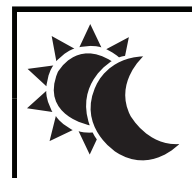


**TIP:** To test if the light fixture (A) and photocell (E) works properly run power to the fixture and cover the photocell to turn fixture ON. Shine a light into the photocell to see if fixture turns OFF.



**NOTE:** If photocell (E) is located in an area under heavy shade the photocell may not detect enough light and may turn the light fixture on.

**AUTOMATIC  
NIGHTTIME ON**



**DAYTIME OFF**

### OPTION 2: SWITCH CONTROLLED

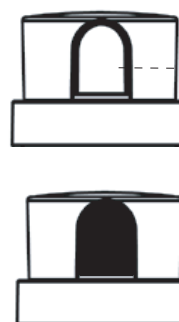
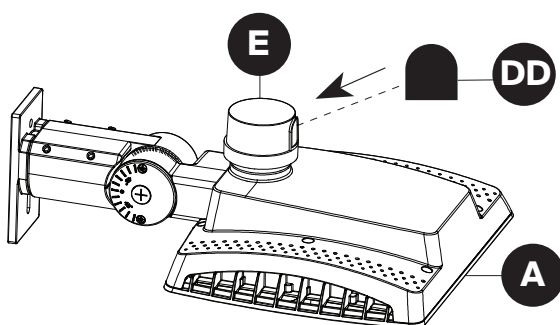
*Switch controlled operation enables the light fixture to turn ON and OFF by flipping a switch that controls the electricity to the outlet powering the fixture. The light fixture will not turn ON and OFF automatically, but is manually controlled.*

- To enable switch activated operation put the black cover label on the photocell.

**SWITCH**



**CONTROLLED**



Place included photocell cover (EE) to cover the clear window to disable dusk to dawn operation

(fig 40).

## CARE AND CLEANING

- ❑ Shut off main power supply before cleaning the product. To prolong the original appearance, clean the light fixture with clear water and a soft, damp cloth only.
- ❑ Do not use abrasive cleaners or cleaners that contain alcohol. Do not apply paints, solvents, or any other chemicals on this light fixture. They could cause a premature deterioration of the finish and may void the warranty.
- ❑ Do not spray the light fixture with a hose or power washer.

## TROUBLESHOOTING

Problem	Possible Cause	Solution
<b>Light does not turn ON</b>	No power to the fixture	Check if circuit breaker is tripped Confirm wall switch is ON Verify wiring to fixture is correct (turn power off to fixture beforehand)
	Fixture is sensing daylight	Cover photocell. Wait several seconds until fixture turns ON.
<b>Light cycles ON and OFF continuously</b>	Photocell light sensor is sensing reflected light	Relocate light fixture to a location where there is no reflected light. OR place the black cap cover over the photocell and use the wall switch to turn the light fixture ON and OFF.
<b>Light FLICKERS</b>	The light fixture is wired through an unsuitable dimmer	Replace the dimmer with a 0-10V dimming switch or a standard ON/OFF wall switch.
<b>Light stays ON</b>	Photocell is in a shaded area	Shine a flashlight into the photocell and wait a couple minutes. If the light turns OFF, the fixture should be moved to a location with enough light in the daylight hours for the photocell to work. OR place the optional opaque cover over the photocell and use the wall switch to turn the light ON and OFF.
	Photocell is faulty	If the light does not turn off when a flashlight is shone on the photocell for a few minutes, then the photocell may be faulty. Please contact customer service.



**NOTE:** Photocell may have a few minutes delay during troubleshooting. When testing, shine a light and/or cover the photocell and allow a few minutes for fixture to function properly.

## 5-YEAR LIMITED WARRANTY

---

This is a limited warranty offered by Probrite for a period of five years from the date of purchase to its customers. Probrite warrants to customers that the products will be free from defects in material and workmanship. The obligation of Probrite under this warranty is limited to the provision of replacement of products and is extended to the original purchaser of the product on presenting valid purchase receipt or other proof of date of original purchase acceptable to Probrite. The receipt is required for rendering the warranty performance. Any warranty claims without original proof of purchase would not be accepted.

It should be noted that the warranty does not apply to Probrite products that have been altered or repaired by unauthorized personnel, have been subjected to neglect, abuse, misuse or accident or damages caused during shipping. Any other products not manufactured by Probrite which have been supplied, installed and/or used in conjunction with Probrite products are not covered under this warranty. Any damages caused by replacements bulbs, LEDs or corrosion or discoloration of brass components are also not covered by this warranty.

### **Limitation of Liability:**

In no event Probrite shall be liable for indirect, consequential, incidental or special damages, or lost profits. Probrite is not liable for any claims or damage arising out of or connected with the manufacture, sale, delivery, use, maintenance and repair or modification of Probrite products, or supply of any replacement parts that, exceed the purchase price of Probrite products giving rise to a claim. Labor charges to remove or install the fixtures will not be accepted.

### **To Claim:**

Please contact PROBRITE customer service at 1-844-507-5651 or email [support@probrite.com](mailto:support@probrite.com) and include your name, address and contact number, along with a copy of the purchase receipt and a brief description of the problem.







# PROBRITE®

## **Questions? / Missing Parts? / Need Accessories?**

Before returning to the store, call or email our  
Lighting Specialists 9am-5pm EST Monday to Friday.

**1-844-507-5651**

support@probrite.com

www.probrite.com

**RETAIN THIS MANUAL FOR FUTURE USE**

Para las translaciones en español,  
visit [www.probrite.com/install](http://www.probrite.com/install)