

## CORNER BOOKCASE

---

### ASSEMBLY INSTRUCTION



**ASSEMBLY INSTRUCTION**

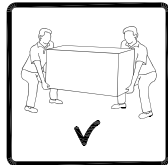
**ASSEMBLY TIPS:**

- 1.Remove hardware from box and sort by size.
- 2.Please check to see that all hardware and parts are present prior to start of assembly.
- 3.Please follow attached instructions in the same sequence as numbered to assure fast & easy assembly.



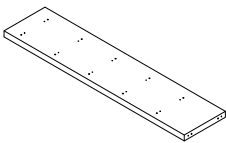
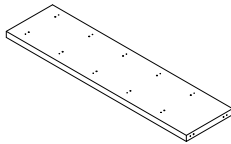
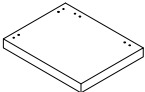
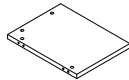
**Warning!**

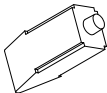
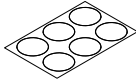
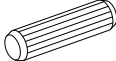
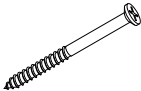

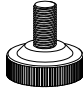
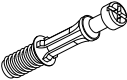
- 1.Don't attempt to repair or modify parts that are broken or defective.Please contact the store immediately.
- 2.This product is for home use only and not intended for commercial establishment.

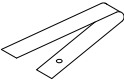





**ASSEMBLY TIME PER UNIT: 40 MINUTES**

**PARTS IDENTIFICATION:**

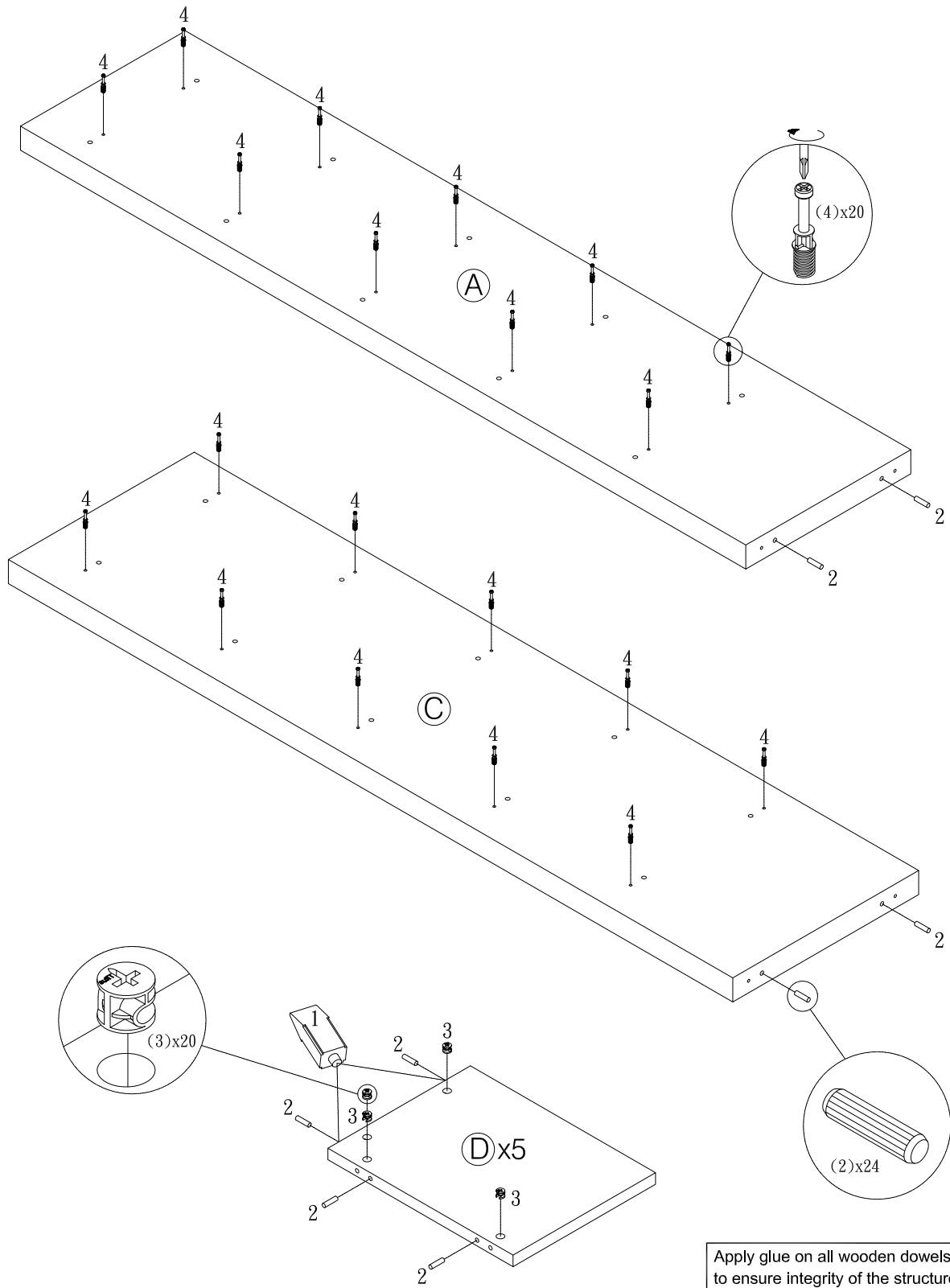
(A) SIDE PANEL		1PC	(C) BACK PANEL		1PC
(B) BOTTOM PANEL		1PC	(D) CROSS PANEL		5PCS

Z HARDWARE PACKAGE							
NO	DESCRIPTION	FIGURE	Q'TY	NO	DESCRIPTION	FIGURE	Q'TY
1	GLUE 40g		1 PC	5	STICKER $\phi$ 20mm		4 PCS
2	WOODEN DOWEL $\phi$ 8x30mm		24 PCS	6	SCREW $\phi$ 5.3x75mm		4 PCS
3	CAM LOCK $\phi$ 15x12mm		20PCS	7	PLASTIC FEET M8x16mm		4 PCS
4	CAM BOLT $\phi$ 7x35.5mm		20PCS				

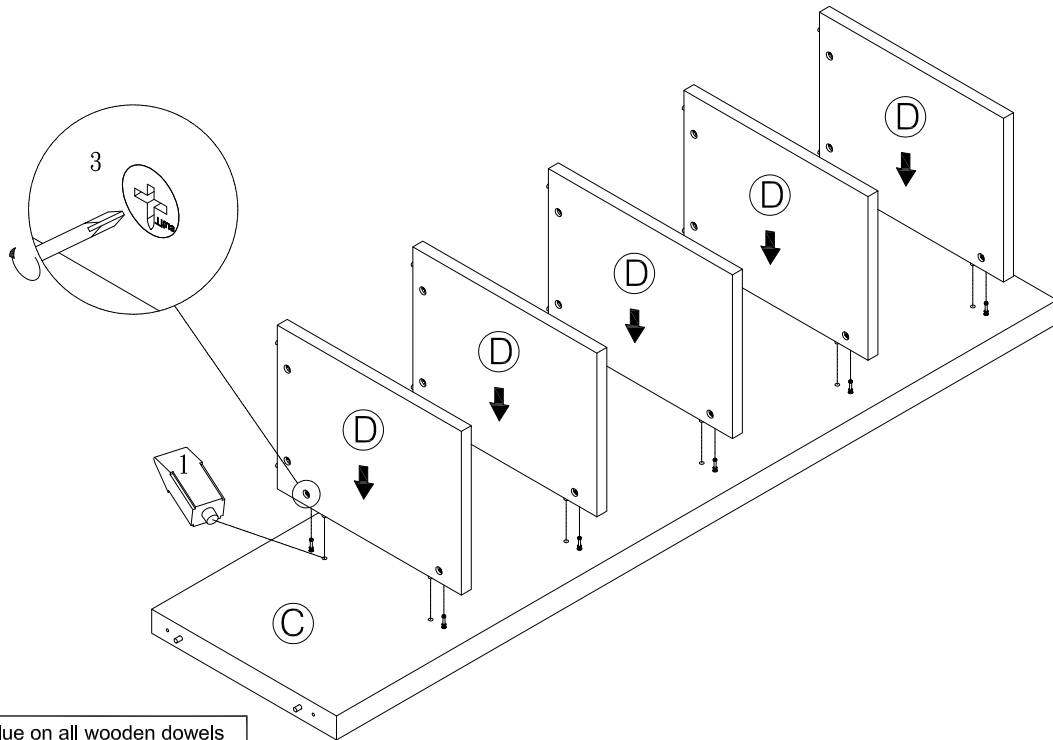
Z HARDWARE PACKAGE							
NO	DESCRIPTION	FIGURE	Q'TY	NO	DESCRIPTION	FIGURE	Q'TY
8	ANTI-TIP STRAP 170x15mm		2 PCS	10	WALL SCREW $\phi$ 4x25mm		2 PCS
9	WALL PLUG 6x30mm		2 PCS	11	SCREW $\phi$ 4x16mm		2 PCS

# ASSEMBLY INSTRUCTION

## STEP 1

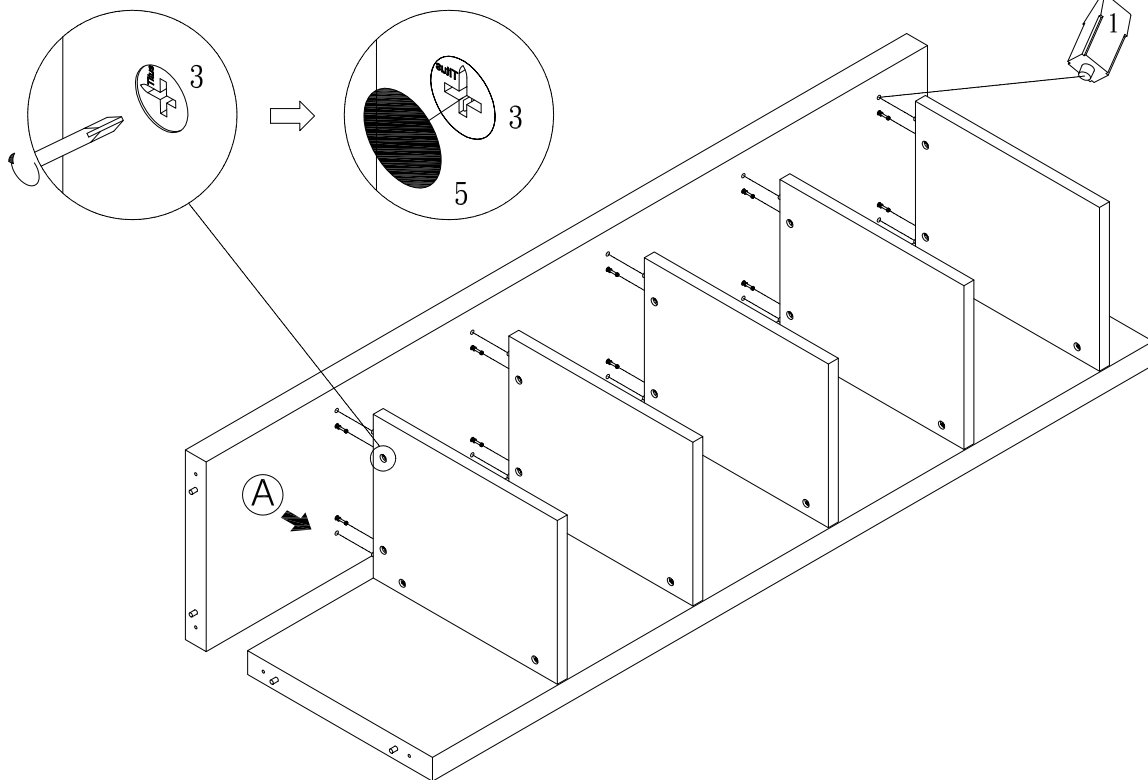


STEP 2



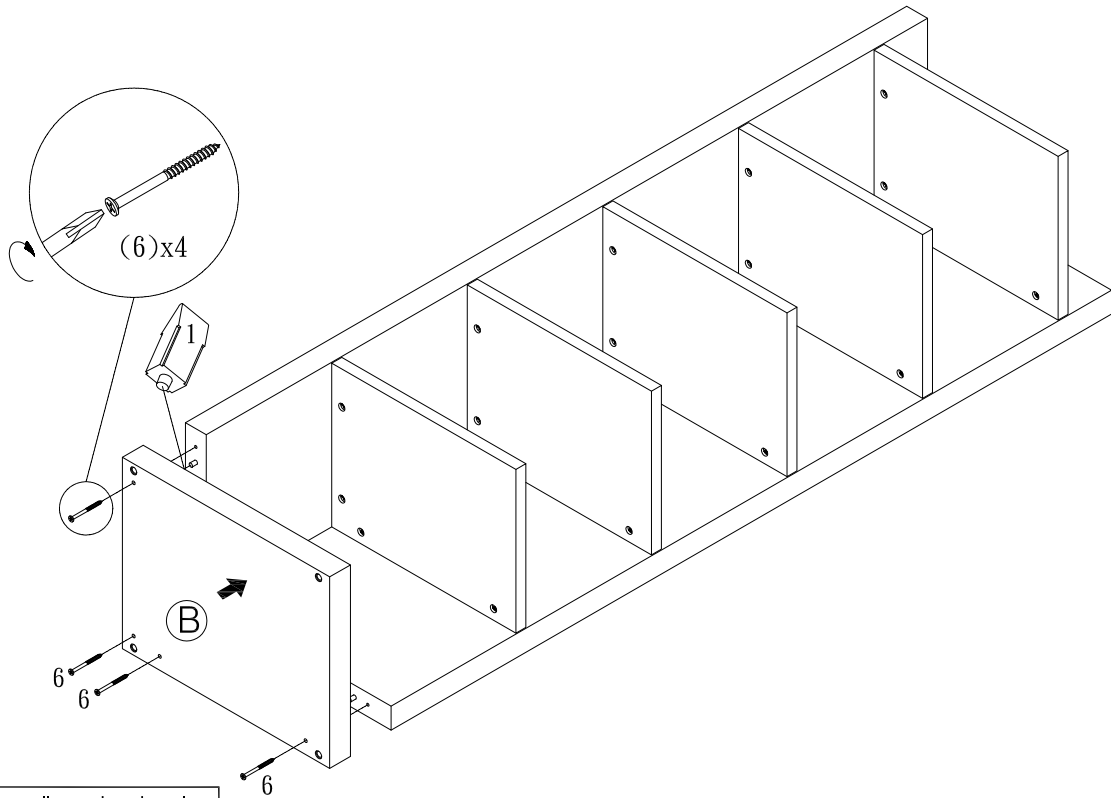
Apply glue on all wooden dowels to ensure integrity of the structure.

STEP 3

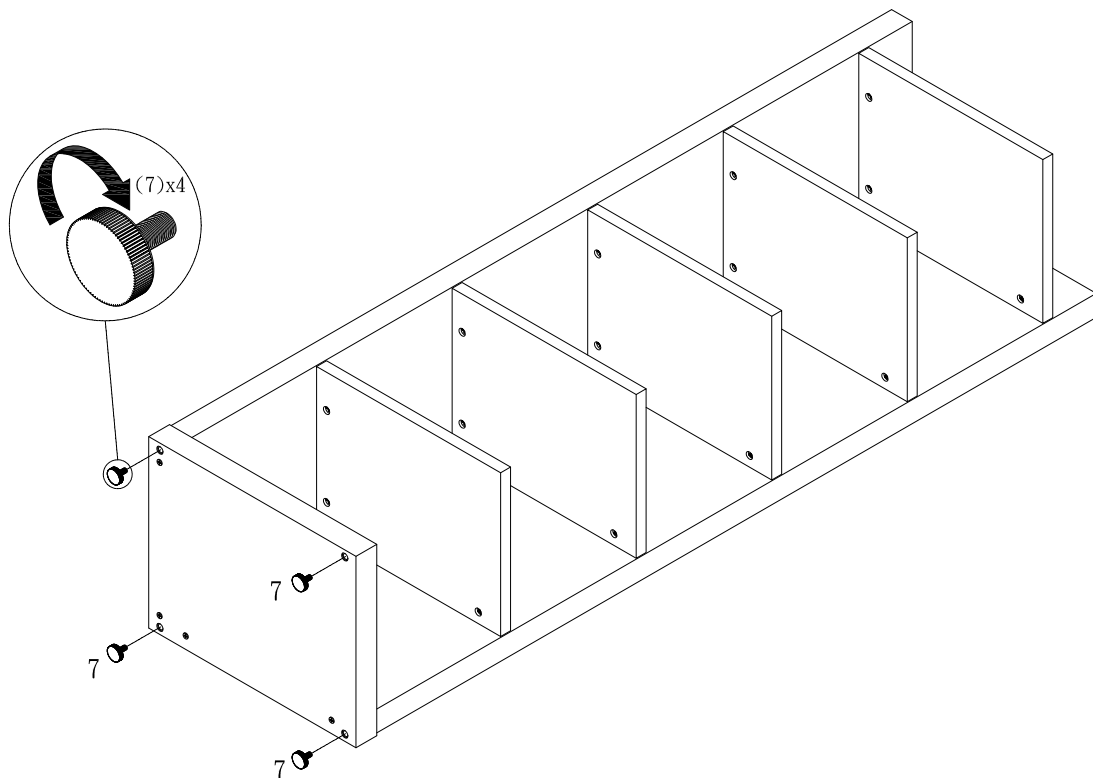


Apply glue on all wooden dowels to ensure integrity of the structure.

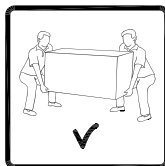
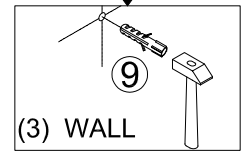
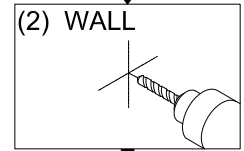
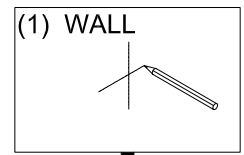
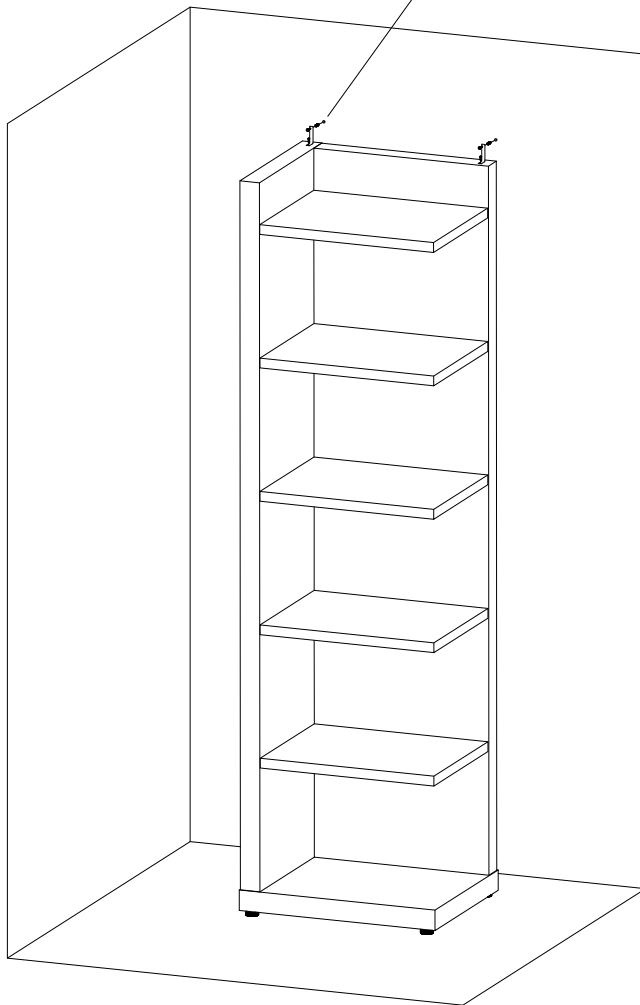
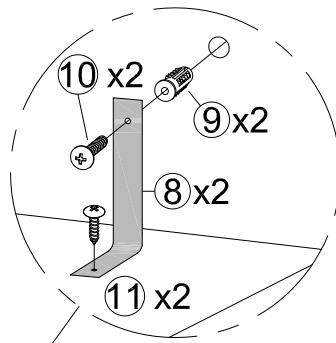
STEP 4



STEP 5



STEP 6



**FURNITURE TIPPING RESTRAINT**

**WARNING**

**Injury may result from tipping furniture**

This restraint is not a substitute for proper adult supervision. This restraint may provide protection against tipping furniture.

Do not allow children to climb on furniture.

Failure to detach this restraint before moving furniture may result in injury and damage