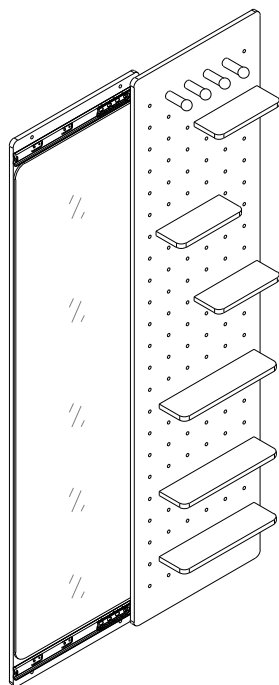


Installation Diagram

NAME Shelves 150*40CM

Note: The (installed) in the parts list and hardware list means it is already installed in the finished product, not in the hardware package!!!!



Parts List

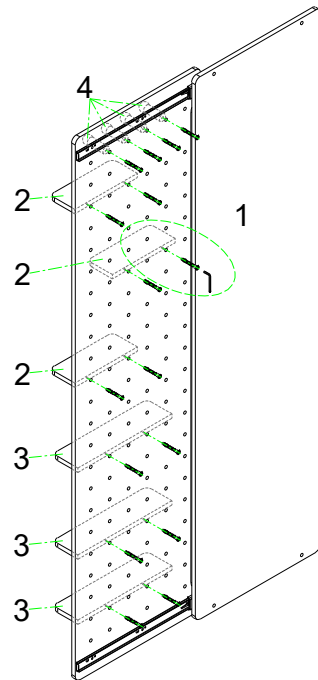
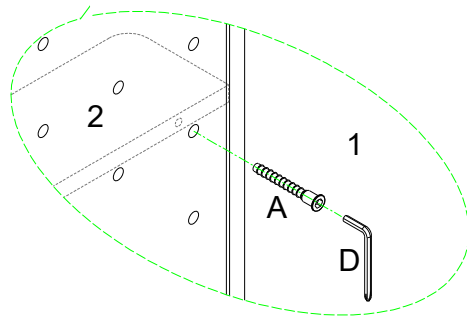
NO	NAME	ICON	NORM	AMOUNT
1	mirror plate + hole (assembled)		1500*401*37MM	1
2	short laminate		200*80*12MM	3
3	long laminate		300*80*12MM	3
4	hanging branch		70*25*25MM	4

Hardware Table

NO	NAME	ICON	NORM	AMOUNT
A	black hexag on socket head cap screws		M6*38MM	16
B	geckos		∅9*35mm	4
C	black hexag on socket head cap screws		M6*38MM	4
D	hexagon socket spanner		M4*57MM	1

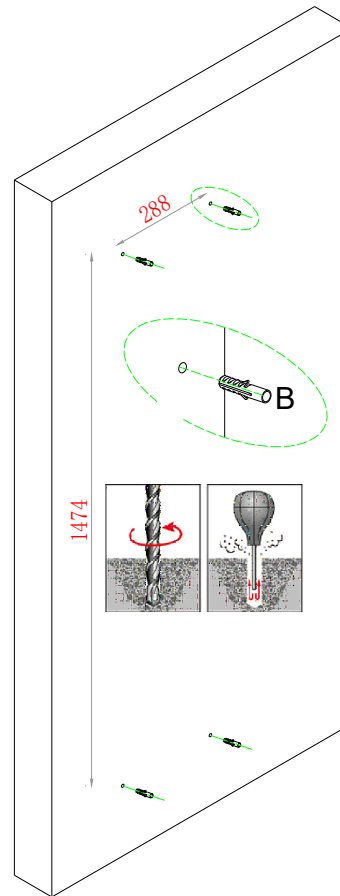
Specification name: shelf 150*40CM

Step1



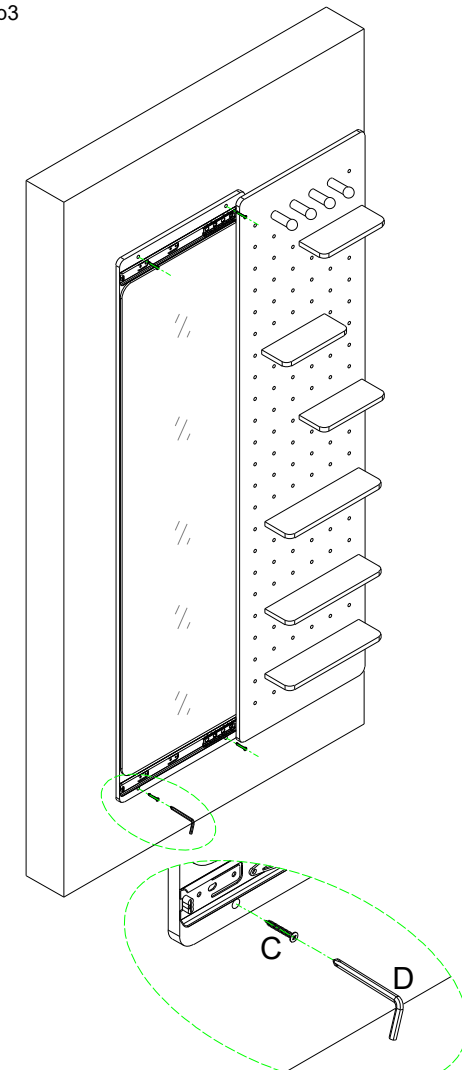
Note: After unpacking, please check the number of assembled parts as pictured against the instruction manual for correctness before assembling as pictured. As shown in the picture, connect parts 1,2,3,4 with hardware A and D.

Step2



As shown in the figure according to the height of personal hanging requirements with screws in the wall mark, in the place of marking, with a drill 6 * 60MM deep straight hole, the hole inside the grey, all clear, and then the hardware B knocked into the wall.

Step3



Fasten the assembled parts of step 1 to the wall with hardware C and D as shown in the figure