

## Item # 36560

### OVAL PORCELAIN COUNTERTOP BATHROOM BASIN

22<sup>3</sup>/<sub>4</sub>" x 14<sup>3</sup>/<sub>4</sub>" x 6<sup>1</sup>/<sub>4</sub>"



#### DESIGN FEATURES

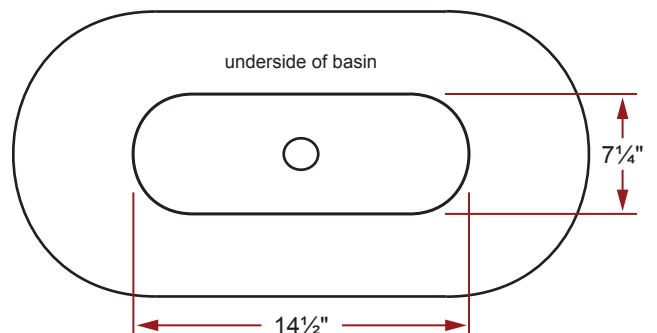
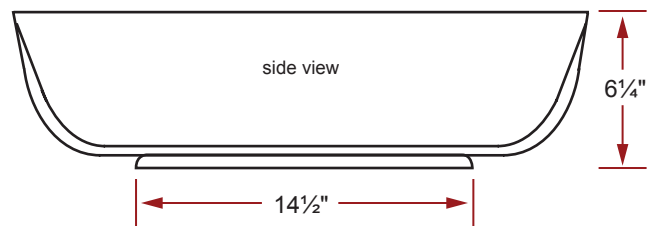
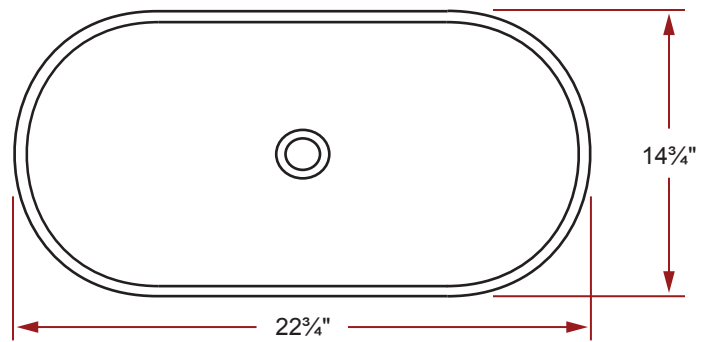
- Cast to ensure exceptional strength as well as long term durability.
- Forged from a proprietary blend of clays to create an ideal product for new homes or bathroom renovations.
- Unique, easy-to-clean coating helps to seal the sink against bacteria and microbes and provides a durable gloss finish.

#### PRODUCT SPECIFICATIONS

- Available in white.
- Oval bowl.
- No overflow.
- No ledge or faucet deck.
- Finished on all sides.
- Drain hole: 1<sup>3</sup>/<sub>4</sub>".
- Net sink weight: 22 lbs.
- Faucets not included.
- 1 year limited manufacturer's warranty included.

#### SINK DIMENSIONS

- Diagrams not to scale.
- All measurements ±1/4".



This sink complies with CSA Standards

In keeping with our policy of continuing product improvement, Acri-Tec Industries Corp. reserves the right to change product specifications without notice.