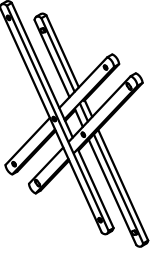

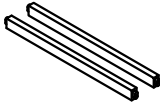
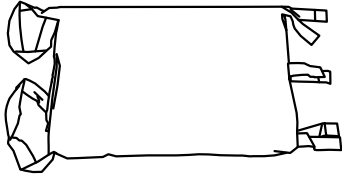


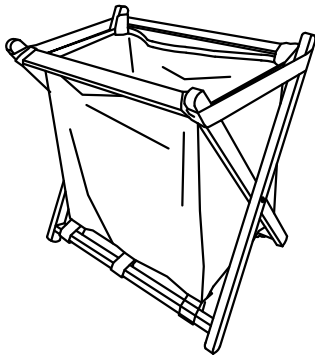
Laundry Hamper

ASSEMBLY INSTRUCTIONS

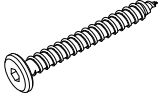
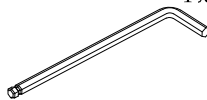
PARTS AND FITTING PACKAGING DETAIL

BOX #1							
A. Frame	2 pcs	B. Long supporting bars	2 pcs	C. Short supporting bars	2 pcs	C. Cloth bag	1 pc
							

FULLY ASSEMBLED



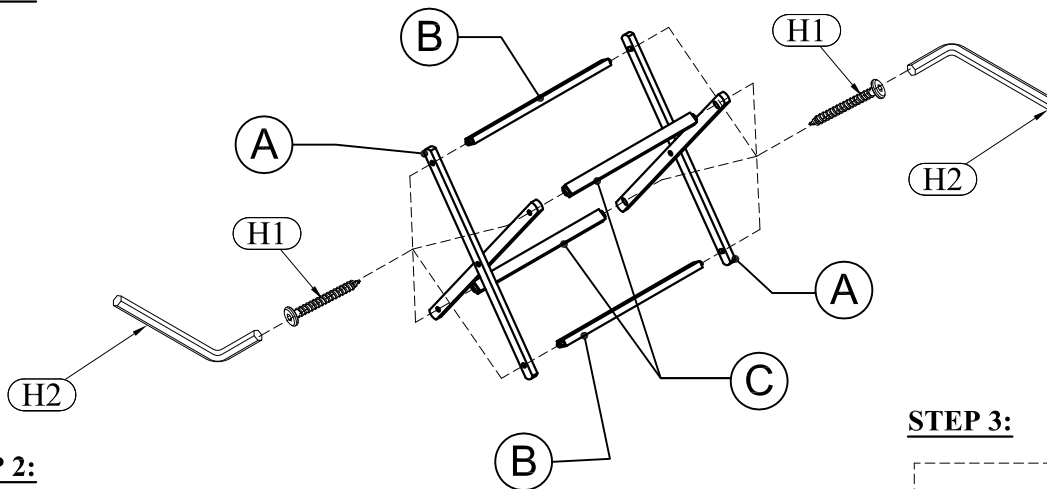
HARDWARE LIST

	Allen Head Screw Ø6 x 60mm
(H1)	08 pcs
	Allen Key 4 x 110mm
(H2)	01 pc

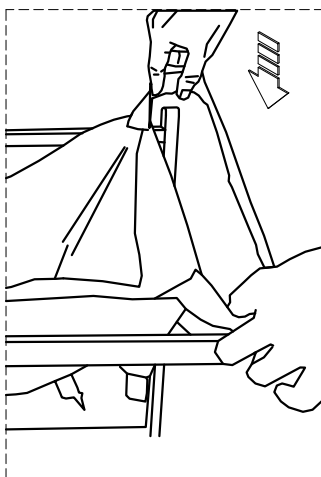
YOUR BOX MAY CONTAIN EXTRA HARDWARE

Be sure to check all packing material carefully for small parts, which may have come loose inside the carton during shipment.

STEP 1:



STEP 2:



STEP 3:

