

Assembly Instructions

Caution : You must read this before you proceed

Care & Maintenance



- Not for commercial use. For residential use only.



- Furniture may scratch floors. We recommend using furniture pads to protect your floors.



- Do not put hot items directly on furniture surface.



- Do not clean furniture with harsh cleansers or polish.



- Do not place furniture under direct sunlight.



- Do not place furniture near heating or cooling vents.



- Do not write on furniture without a padded barrier to protect the surface.



- Do not place furniture outside . For indoor use only.



- Stains may be removed with mild soap solution and damp cloth.



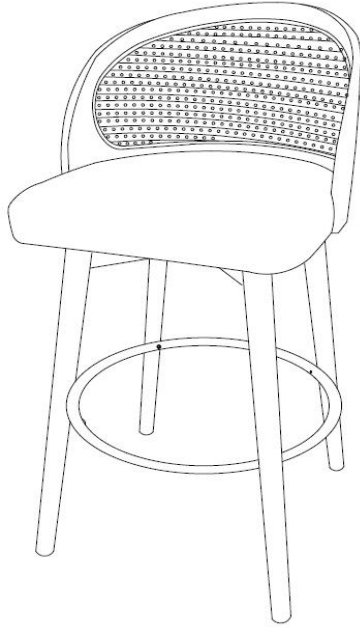
- Children should not climb or jump on the furniture.



- Dust and pick-up spills using a clean, non-colored, lint-free cloth.

Please look in chair for hardware packs and legs.
Sets often ship in multiple boxes and may arrive a day or two apart.

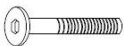
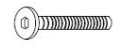




Barstool



Parts List

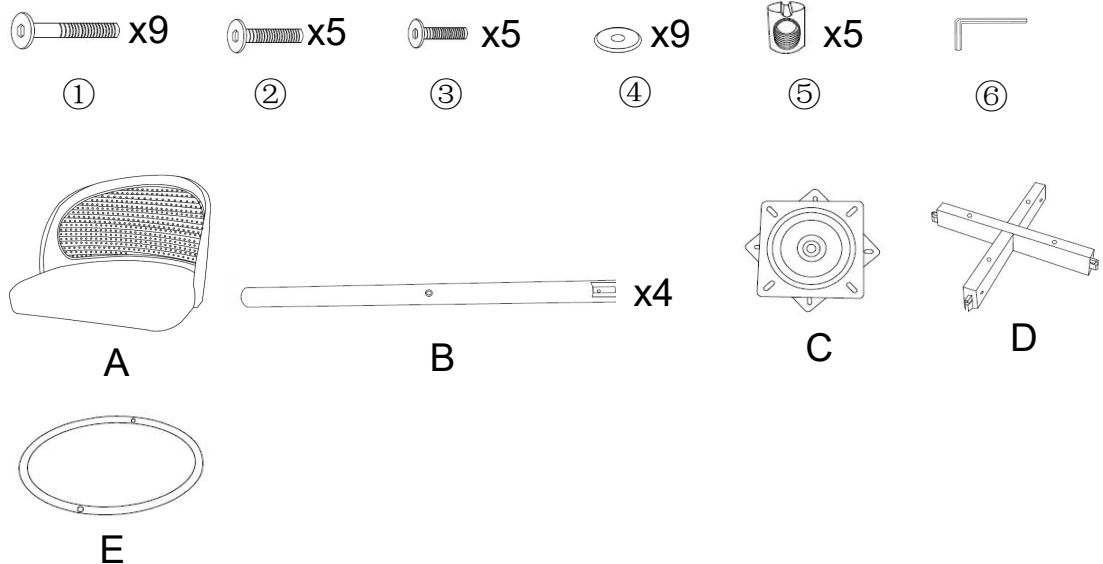
Label	Picture	Description	QTY
A	A line drawing of the seat part of the barstool, showing the woven backrest and the flat seat.	Seat Part	1
B	A line drawing of a single leg of the barstool, showing a long, thin cylindrical shape with a small hole near the top and a small rectangular detail at the bottom.	Legs	4
C	A line drawing of a turnplate, showing a circular base with four mounting points and a central circular opening.	Turnplate	1
D	A line drawing of a cross connector, showing two rectangular bars crossing each other at their centers.	Cross Connector	1
E	A line drawing of a circular footrest, showing a ring with two small circular details on its inner edge.	Footrest	1

Hardware

Label	Picture	Description	QTY
①		Bolt (M6x55mm)	9
②		Bolt (M6x30mm)	5
③		Bolt (M6x16mm)	5
④		Flat Washer	9
⑤		Cam Lock	5
⑥		Allen Wrench	1

Assembly Preparation

Before Beginning Assembly:



- Read instructions, cover to cover-



- Have 2 adults on hand for assembly-



- Do not assemble on flooring or carpet-



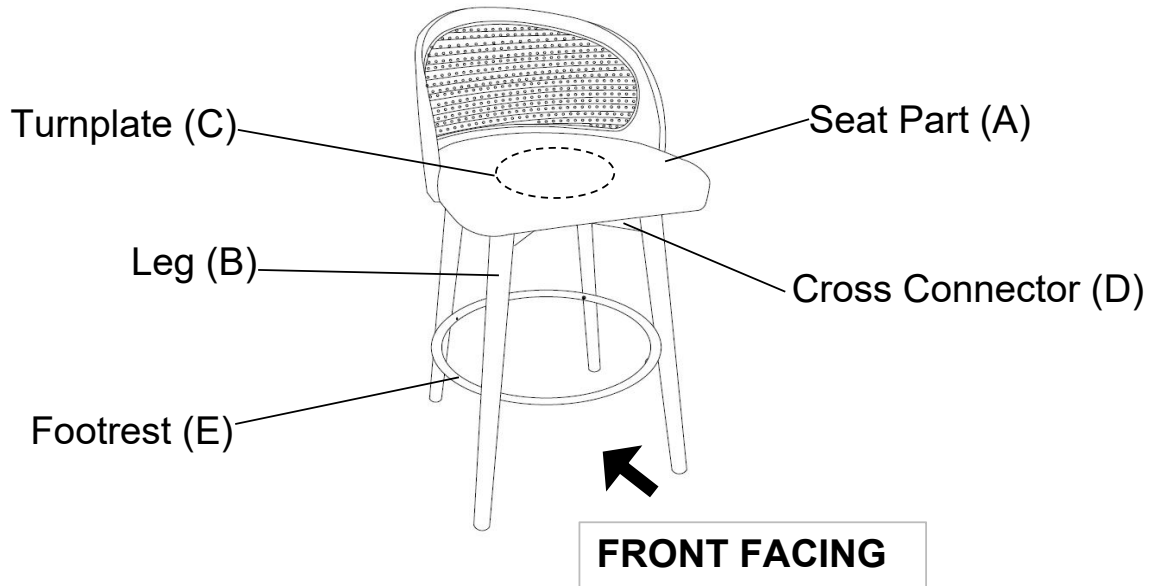
- Assemble on a clean non-marring surface (packing foam)-



- Save all packaging until finished-

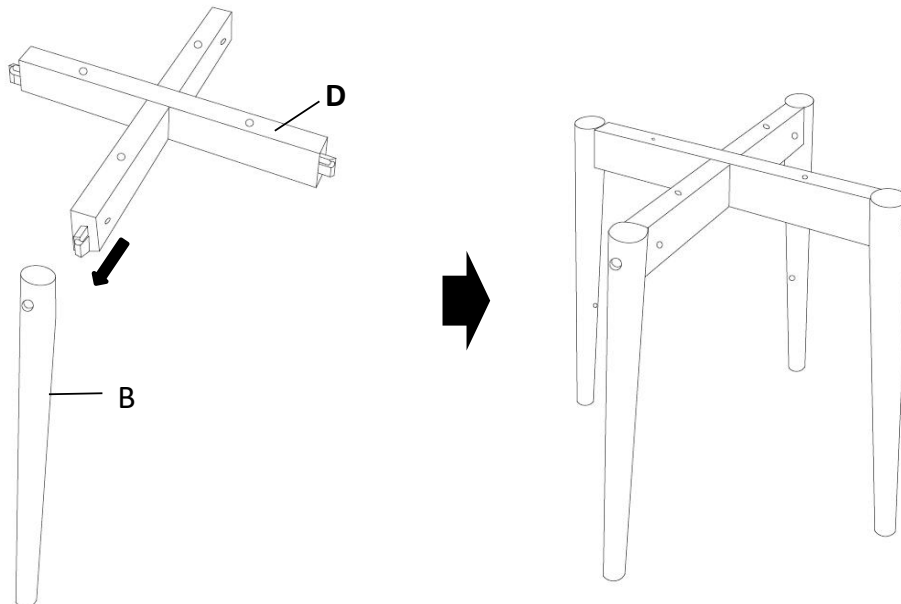
Assembly Steps

Overview



This Barstool has multiple parts and may require up to 30 minutes to assemble. To give you an overview of the barstool parts, the above picture is provided to help you put the various parts into perspective. Please read through the instructions below to familiarise yourself with the parts and steps before assembly.

Step 1

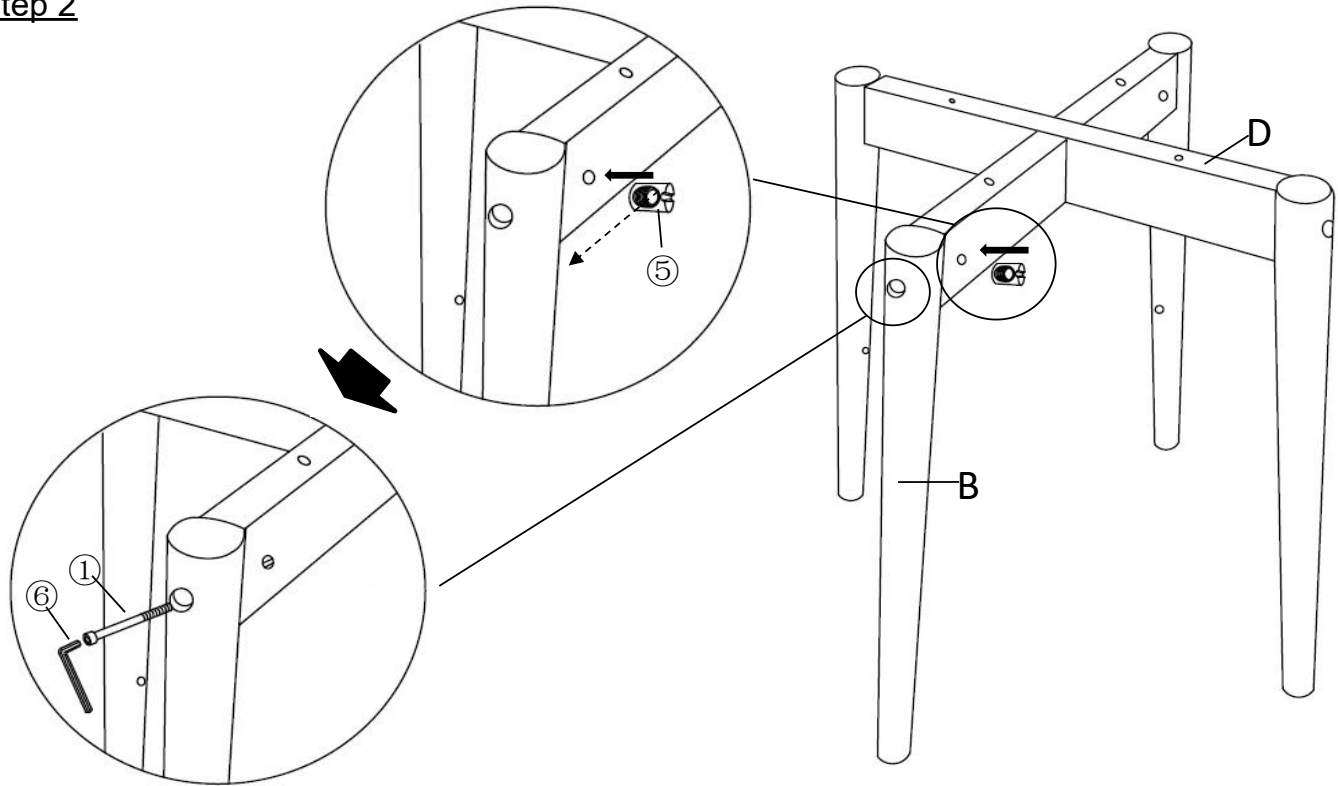


Open the carton, and place all parts on a clean, non-marring surface.

Take out the Legs (B) and the Cross Connector (D).

Insert the tenon of the Cross Connector (D) to mortise of the Legs (B) as shown above.

Step 2



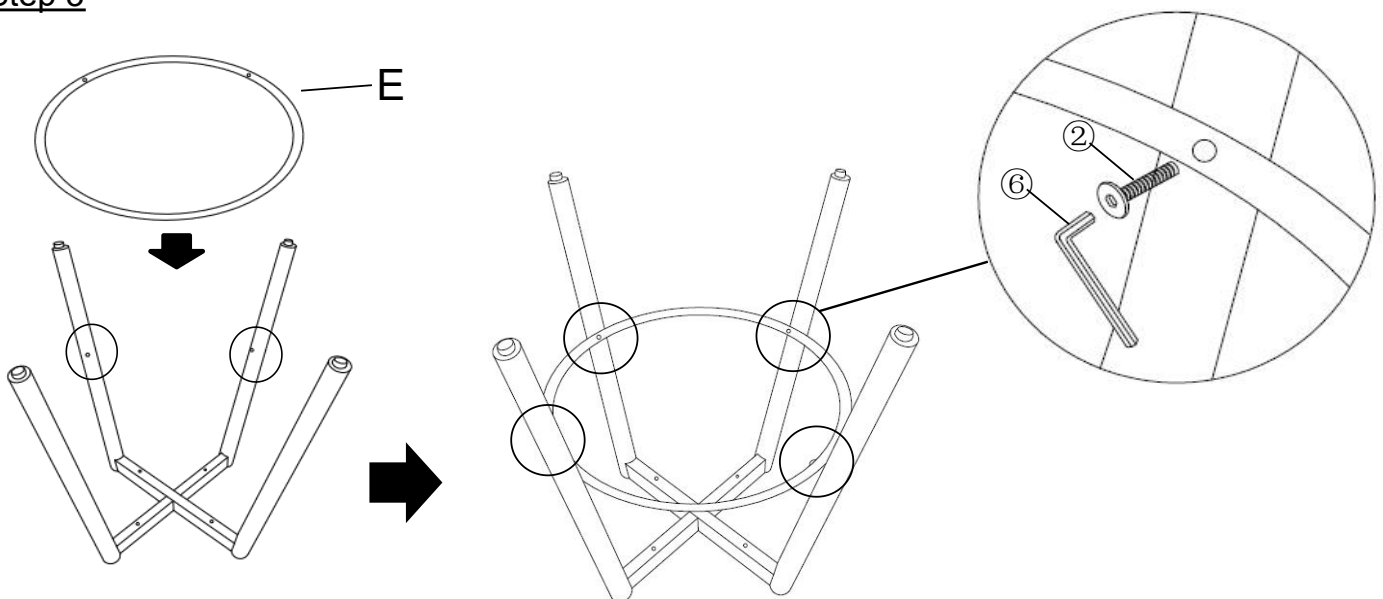
Take out the Cam Locks(⑤).

Insert the Cam Lock(⑤) into the hole of Cross Connector (D), make sure the that the hole on the Cam Lock is aligned with the hold of the Leg (B).

Using the Bolt(①) with the Allen Wrench(⑥) to lock the Leg (B) to Cross Connector (D).

Do not Fully Tighten all the Bolts.

Step 3

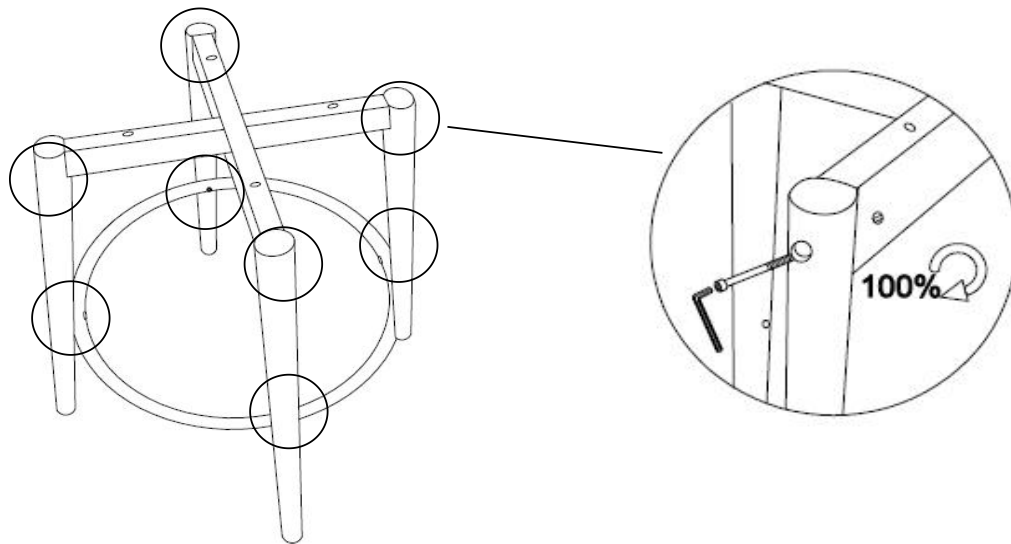


Turn the Frame of Step 3 face down on the non-marring Surface.

Place the Footrest (E) to the Legs (B), make sure that the bolts mounting postions are aligned. Attach the Footrest (E) to the Legs (B) using the Bolts(②) with Allen Wrench(⑥).

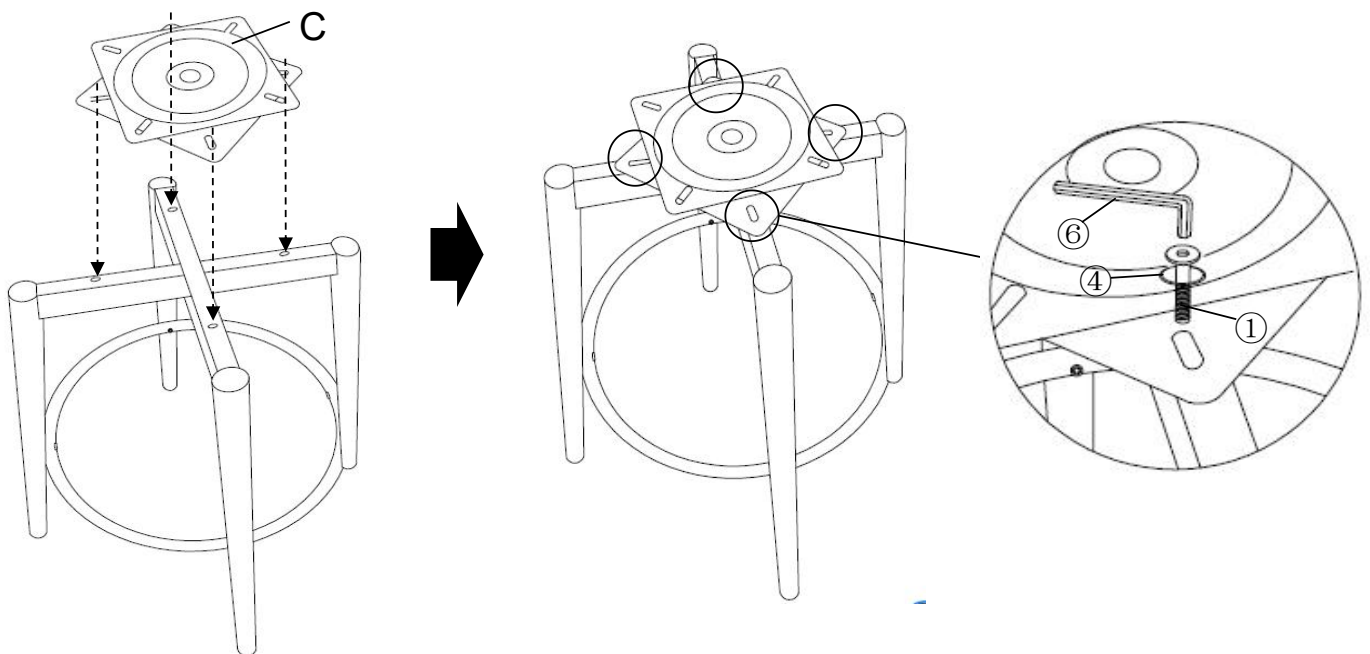
Do Not Fully Tighten the Bolts.

Step 4



Turn over the frame of step 3, check the wobble.
Fully Tighten all the Bolts.

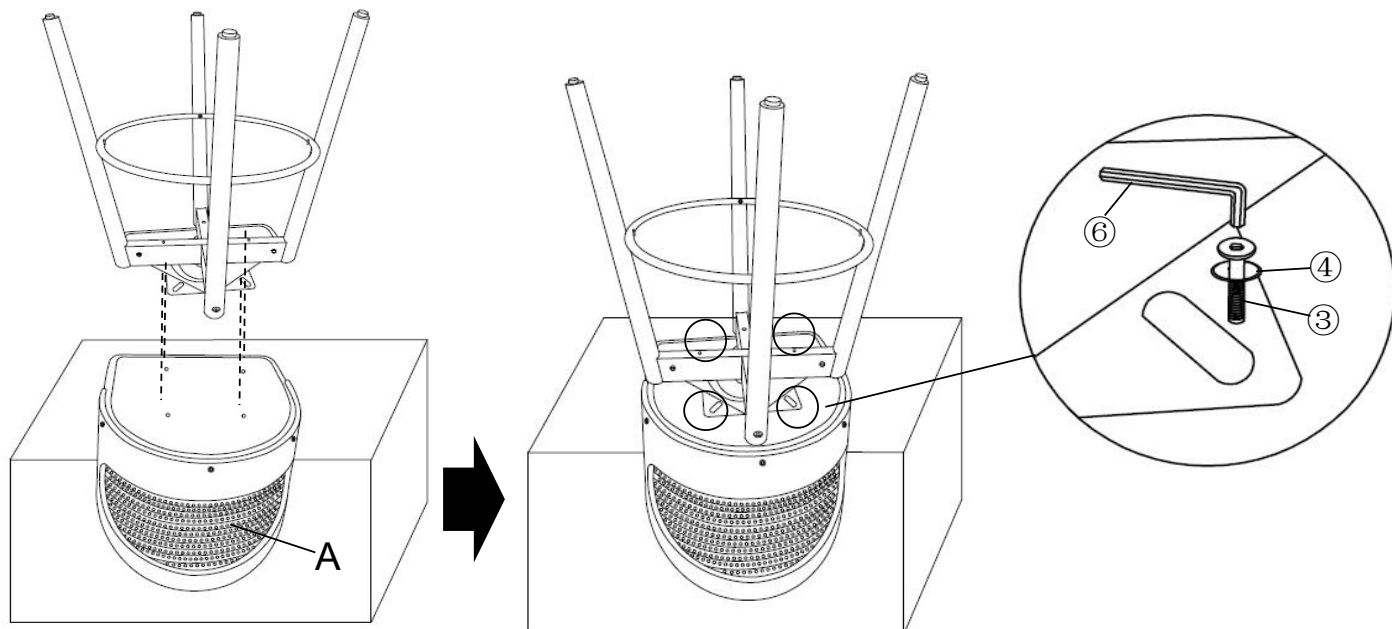
Step 5



Attach the Turnplate (C) to the Cross Connector (D) with the holes aligned, using Bolts(①) and flat Washer(④) with Allen Wrench(⑥).

Fully Tighten the Bolts.

Step 6

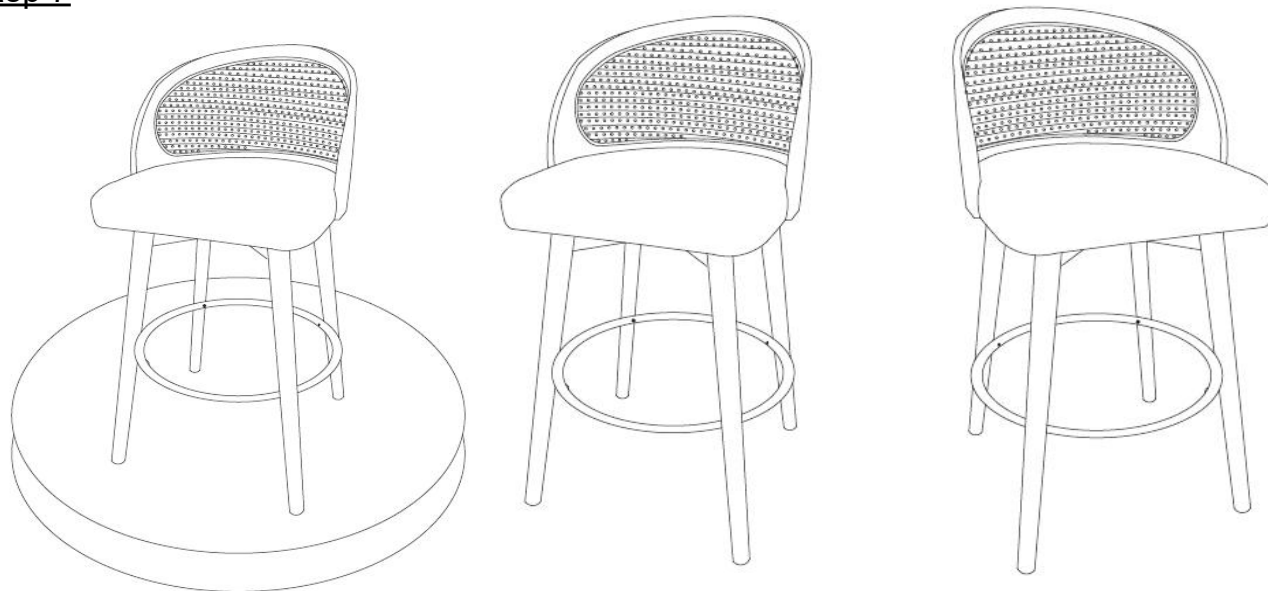


Place the Seat Part (A) face down on a surface.

Attach another side of the Turnplate (C) to the Seat Part (A) with the holes aligned, using Bolts(③) and Flat Washers(④) with the Allen Wrench(⑥) as shown above.

Fully Tighten the bolts.

Step 7



Place the Barstool on a **LEVEL SURFACE**.

Inspect it and make sure all parts are adequately connected.

Gently and carefully tap the seat and check for wobbleness.

If there is wobbling, loosen the bolts and tighten all bolts in a sequential manner.

If there is still wobbling, loosen the bolts and repeat the same process.

Your Barstool is ready for use.

This Barstool can only be used on a flat, level surface.

Questions & Answers about Proposition 65

• What is Proposition 65?

Proposition 65 requires businesses to provide warnings to Californians about significant exposures to chemicals that cause cancer, birth defects or other reproductive harm. These chemicals can be in the products that Californians purchase, in their homes or workplaces, or that are released into the environment. By requiring that this information be provided, Proposition 65 enables Californians to make informed decisions about their exposures to these chemicals.

Proposition 65 also prohibits California businesses from knowingly discharging significant amounts of listed chemicals into sources of drinking water.

Proposition 65 requires California to publish a list of chemicals known to cause cancer, birth defects or other reproductive harm. This list, which must be updated at least once a year, has grown to include approximately 900 chemicals since it was first published in 1987.

• What types of chemicals are on the Proposition 65 list?

The list contains a wide range of naturally occurring and synthetic chemicals that include additives or ingredients in pesticides, common household products, food, drugs, dyes, or solvents. Listed chemicals may also be used in manufacturing and construction, or they may be byproducts of chemical processes, such as motor vehicle exhaust.

• What does a warning mean?

If a warning is placed on a product label or posted or distributed at a workplace, a business, or in rental housing, the business issuing the warning is aware or believes that it is exposing individuals to one or more listed chemicals.

By law, a warning must be given for listed chemicals unless the exposure is low enough to pose no significant risk of cancer or is significantly below levels observed to cause birth defects or other reproductive harm.

• Where can I get more information on Proposition 65?

If you have specific questions on the administration or implementation of Proposition 65, you can contact OEHHA's Proposition 65 program at P65.Questions@oehha.ca.gov, or by phone at (916) 445-6900.