












Assembly Instructions

Caution : You must read this before you proceed

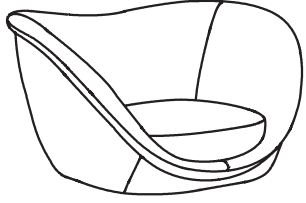


Care & Maintenance

-  Not for commercial use. For residential use only.
 -  Furniture may scratch floors. We recommend using furniture pads to protect your floors.
 -  Do not put hot items directly on furniture surface.
 -  Do not clean furniture with harsh cleansers or polish.
 -  Do not place furniture under direct sunlight.
 -  Do not place furniture near heating or cooling vents.
 -  Do not write on furniture without a padded barrier to protect the surface.
 -  Do not place furniture outside . For indoor use only.
 -  Stains may be removed with mild soap solution and damp cloth.
 -  Children should not climb or jump on the furniture.
-
-  Dust and pick-up spills using a clean, non-colored, lint-free cloth.

CLUB CHAIR



Parts List

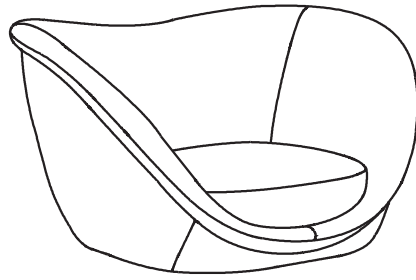
Label	Picture	Description	QTY
A		Seat panel	1
B		Leg panel	1
C		Leg panel	1

Hardware

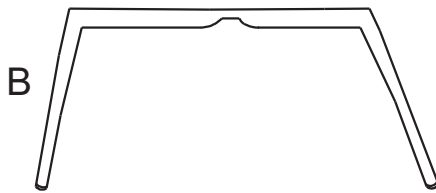
Label	Picture	Description	QTY
①		Short Bolt (M6x30mm)	2
②		Long Bolt (M6x50mm)	5
③		Allen Key	1

Assembly Preparation

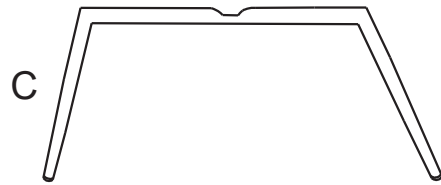
Before Beginning Assembly:



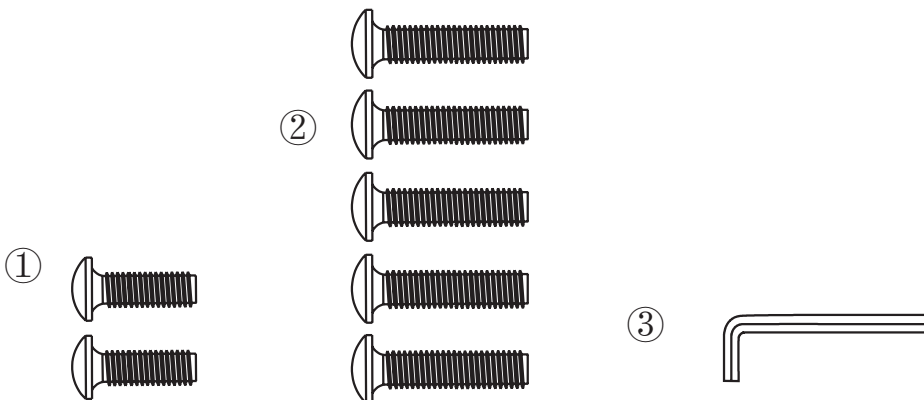
A



B



C



- Read instructions, cover to cover-



- Have 2 adults on hand for assembly-



- Do not assemble on flooring or carpet-



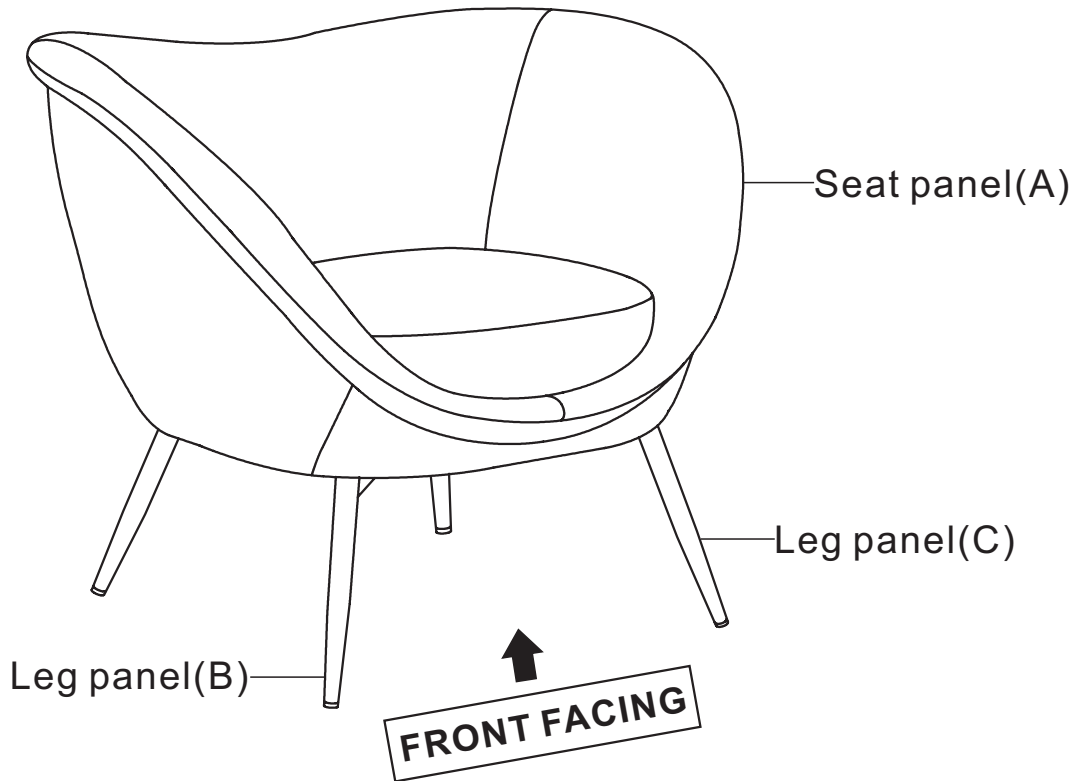
- Assemble on a clean non-marring surface (packing foam)-



- Save all packaging until finished-

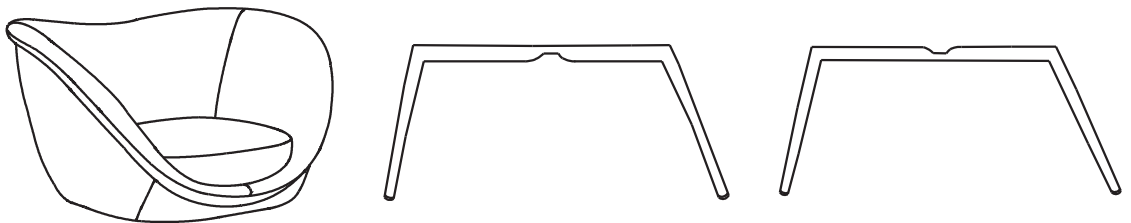
Assembly Steps

Overview



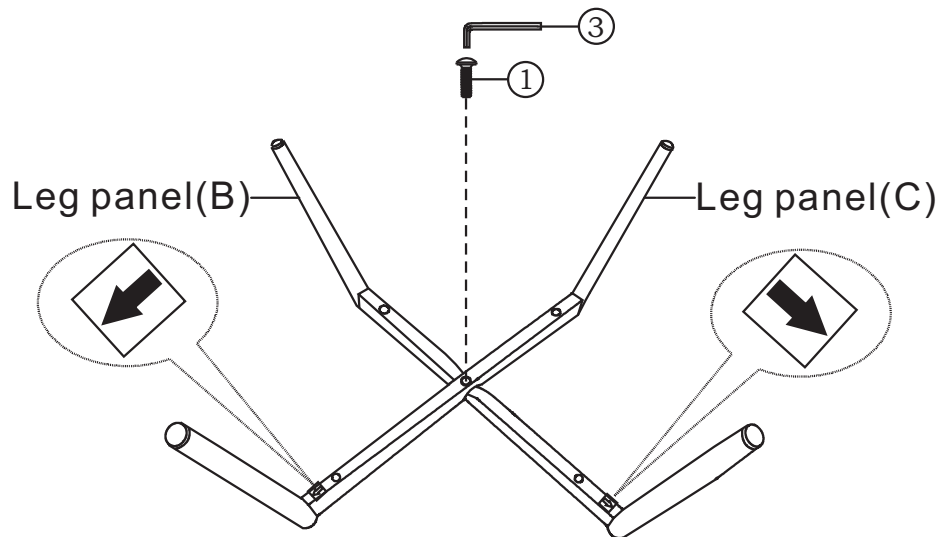
This Chair has multiple parts and may require up to some 30 minutes to assemble. To give you an overview of the Chair parts, the above picture is to help you put the various parts into perspective. Please read through the instructions below to familiarise yourself with the parts and steps before assembly.

Step 1



Unpack and place all parts on a clean, non-marring surface.

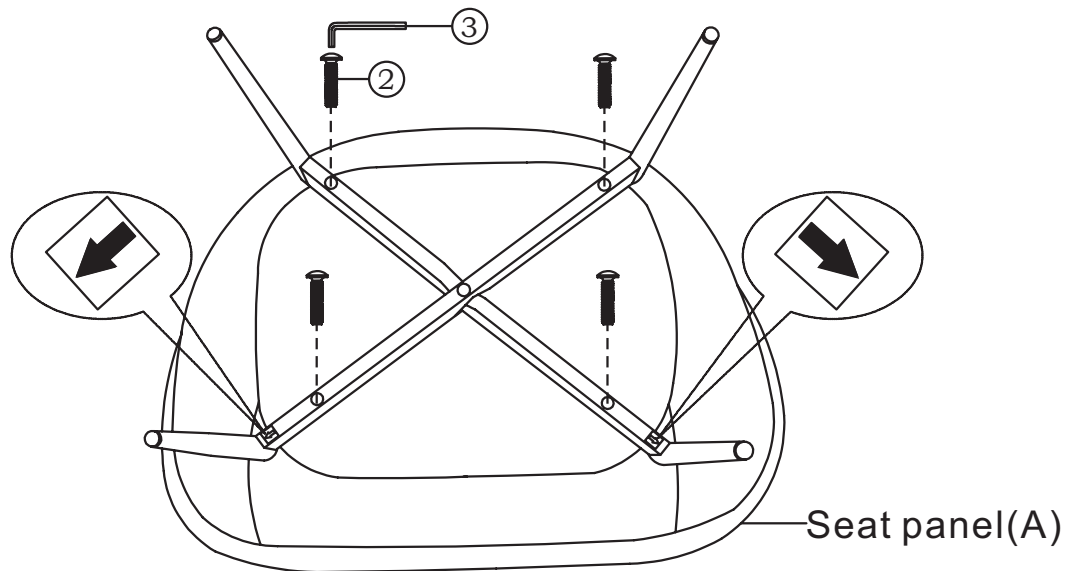
Step 2



Align Leg Panel (C) with Leg Panel (B) as shown in the picture.
Attach Leg Panel (C) to Leg Panel (B) using Short Bolts (①) with Allen Key (③).

Do not fully tighten the Bolts.

Step 3



With the help from your partner, place the Seat Panel (A) facedown.
Align the Leg Panel (C) to Leg Panel (B) with Seat Panel (A).
Attach using long Bolts (②) with Allen Key (③).

Tighten all Bolts at all joints in a sequential manner until secure.

Step 4



Your Chair is ready for use.
This Chair can only be used on a flat, level surface.