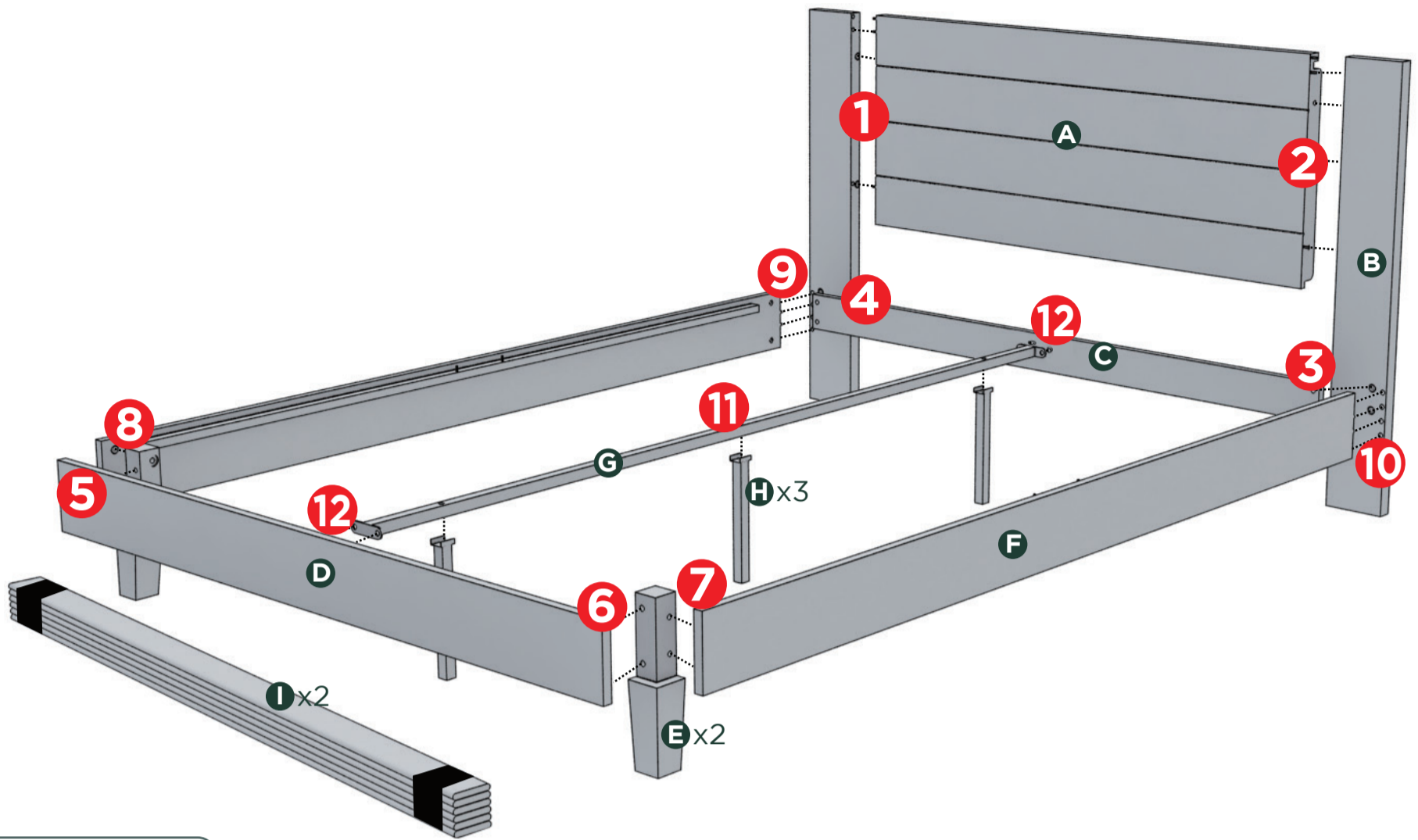
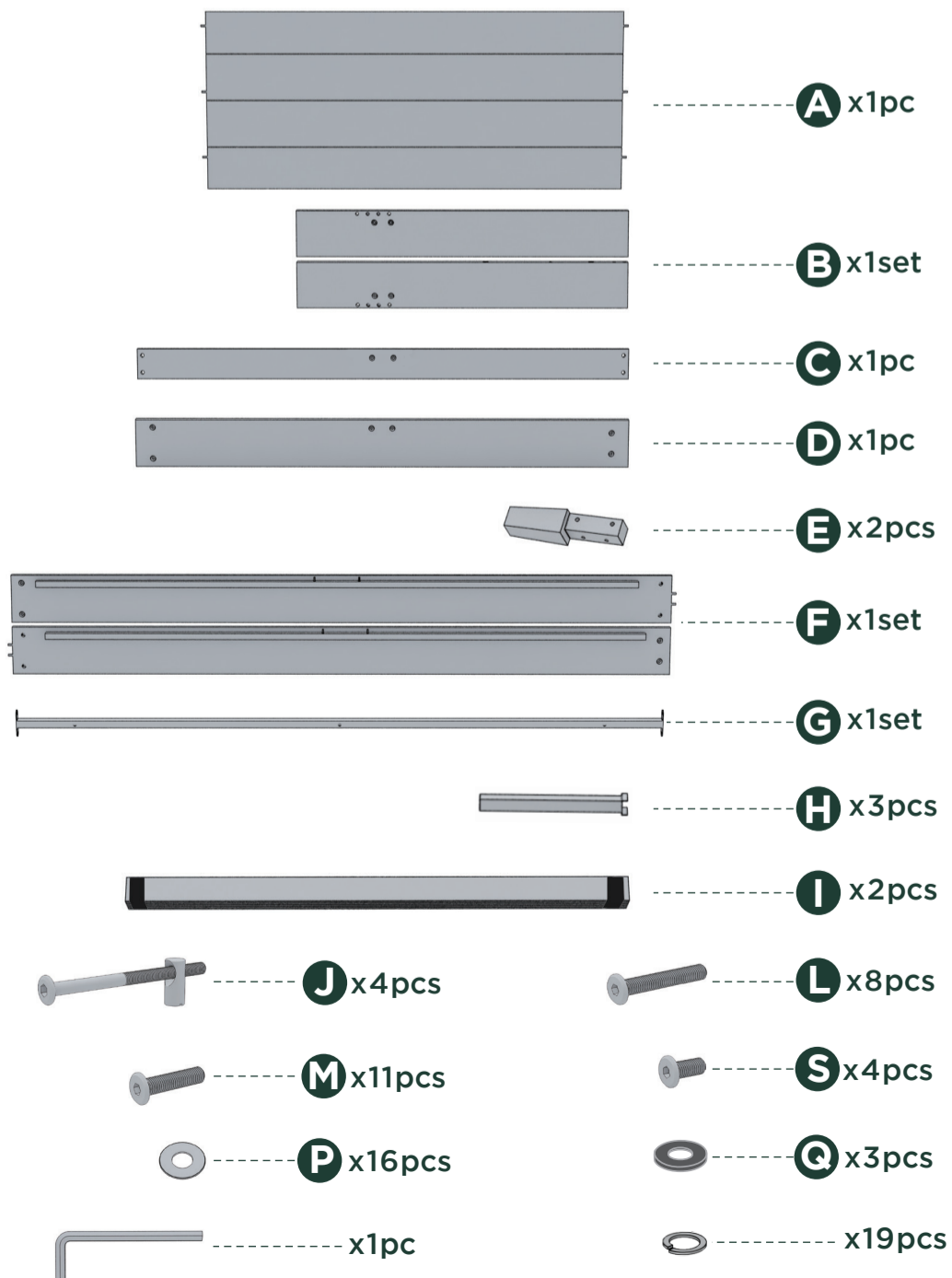


Numbering System
Easy assembly by following 1,2,3...

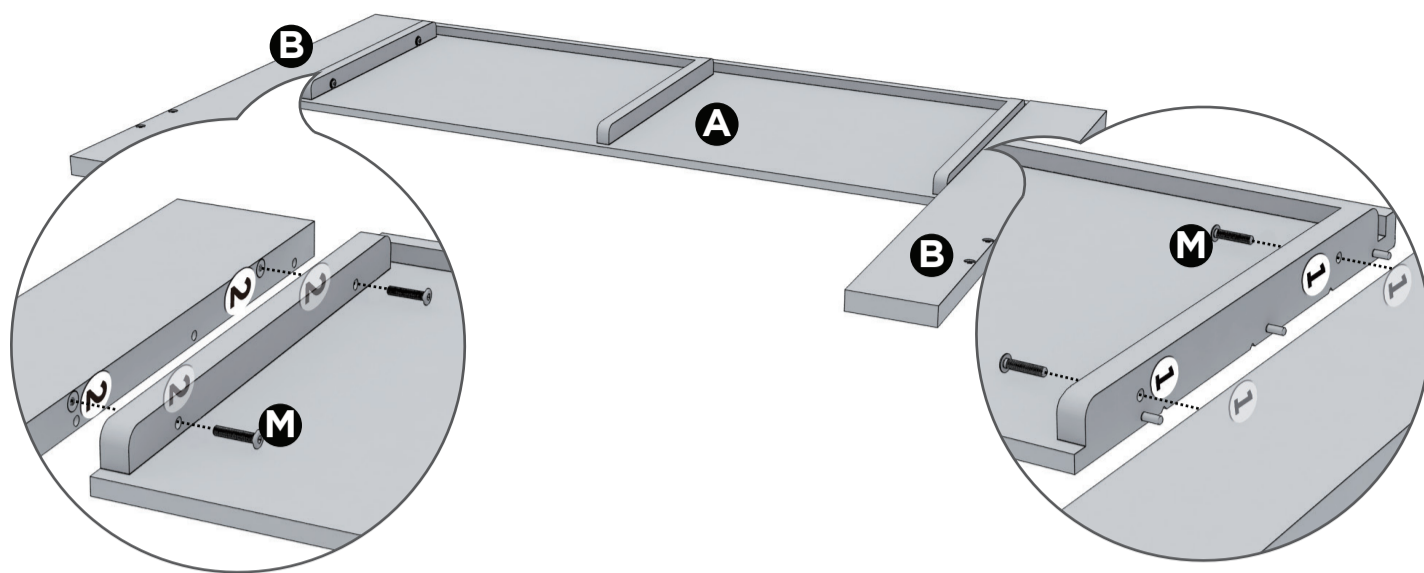


Platform Bed-2

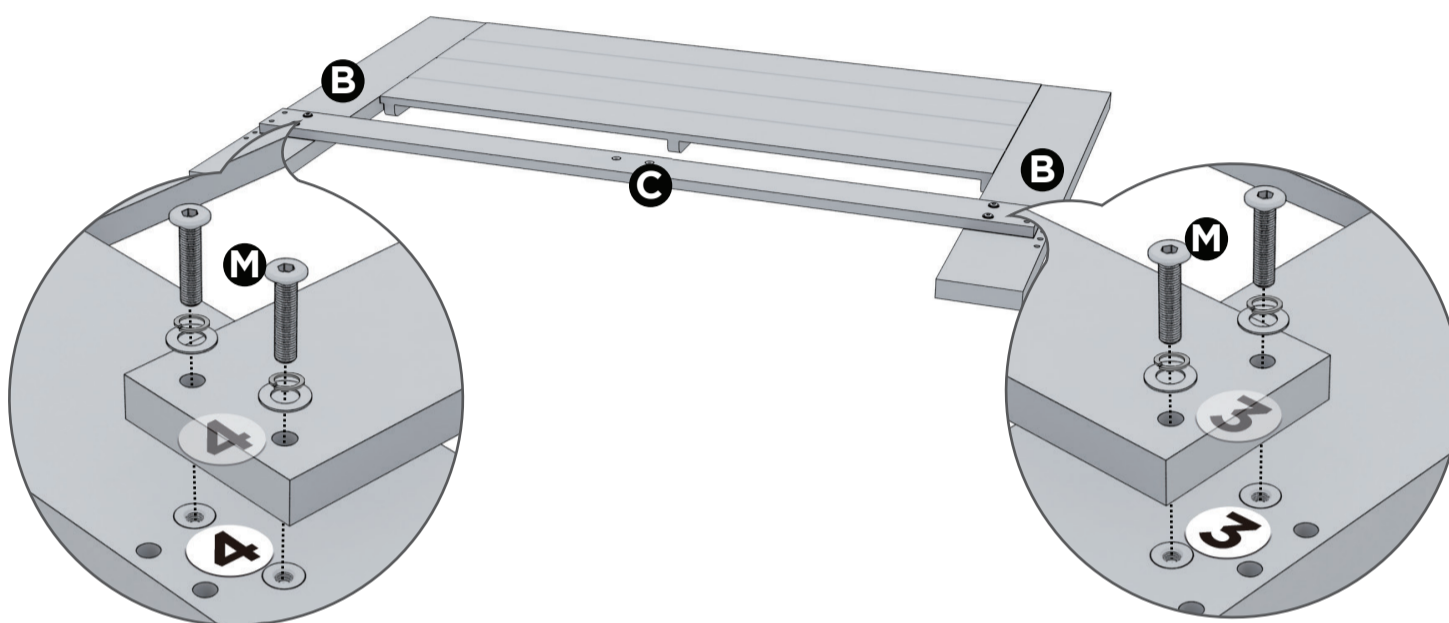
Components



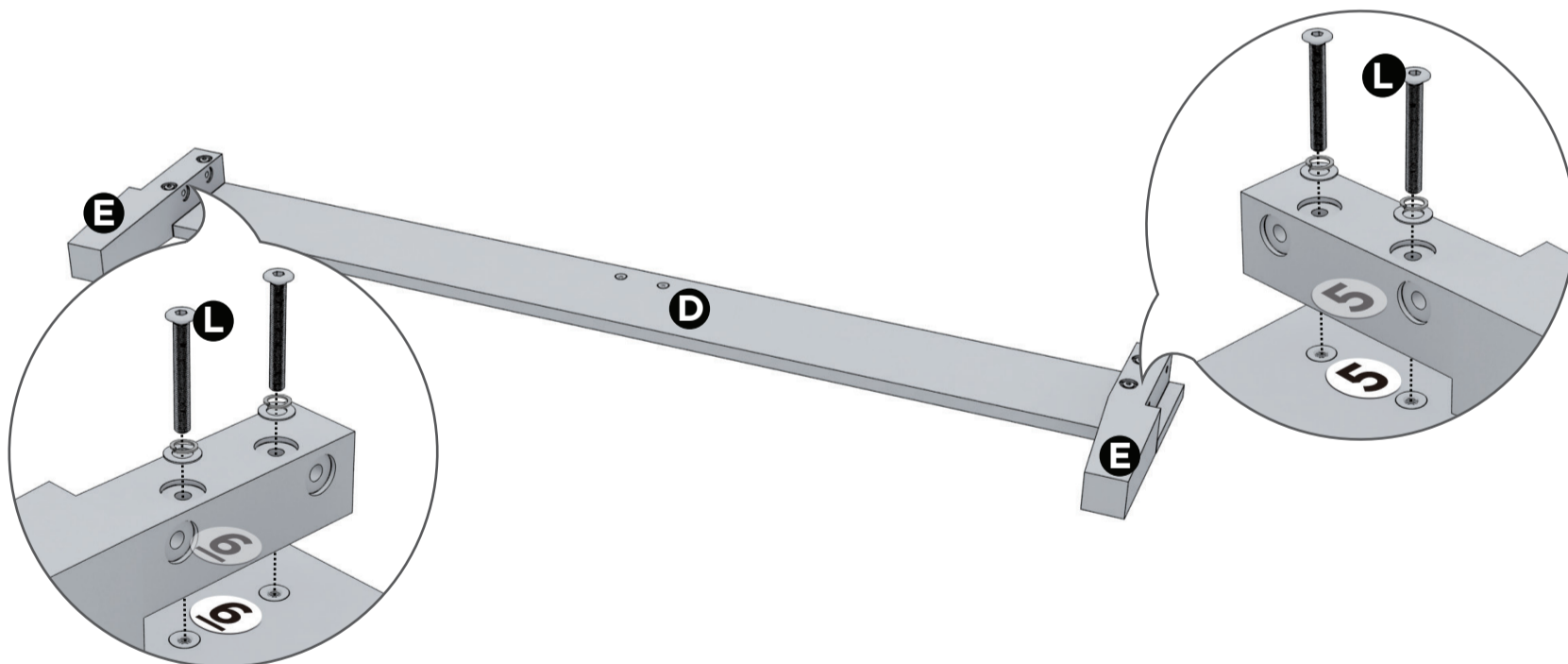
1



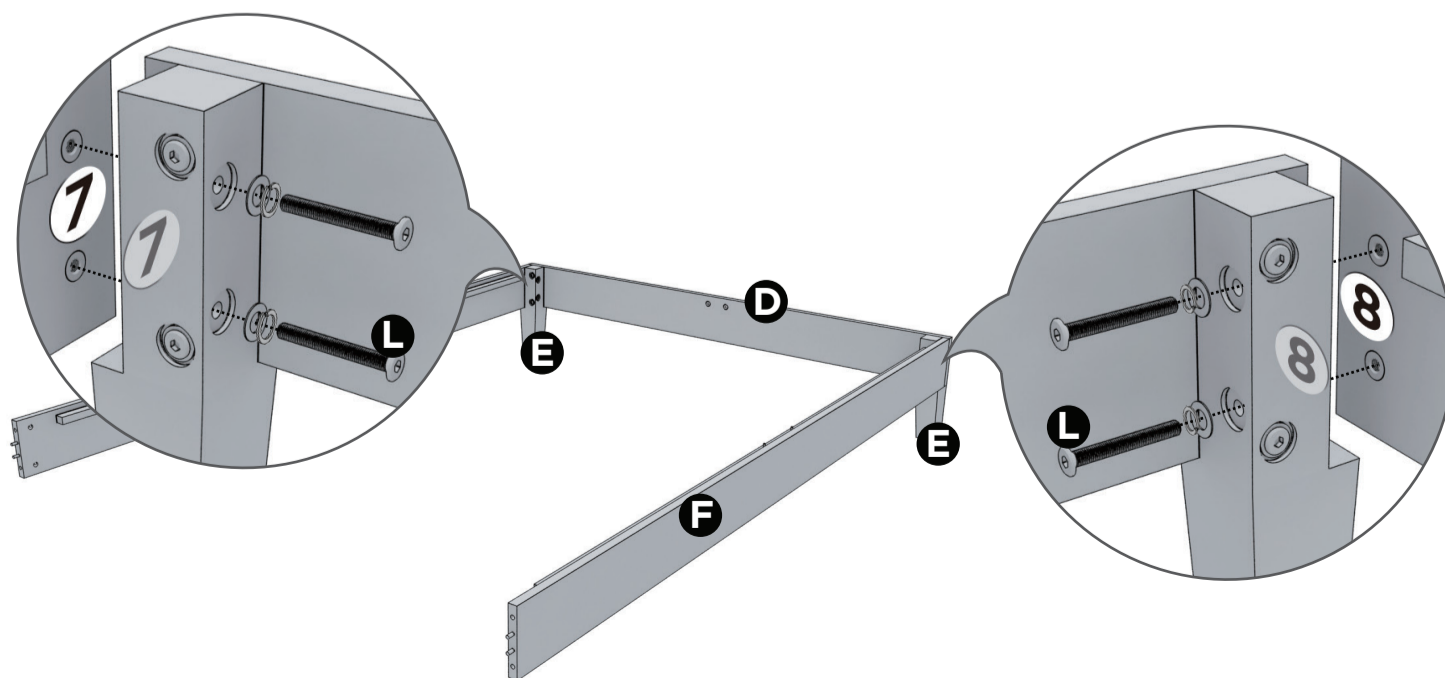
2



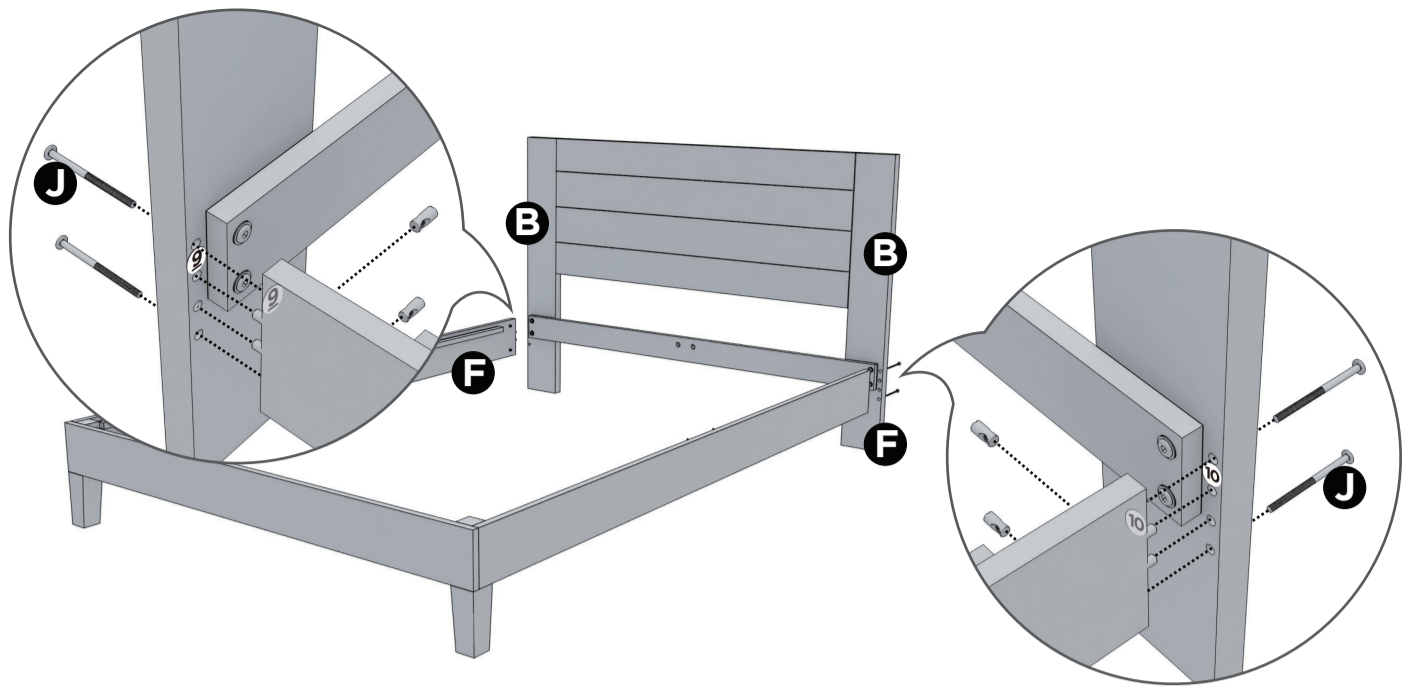
3



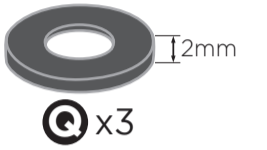
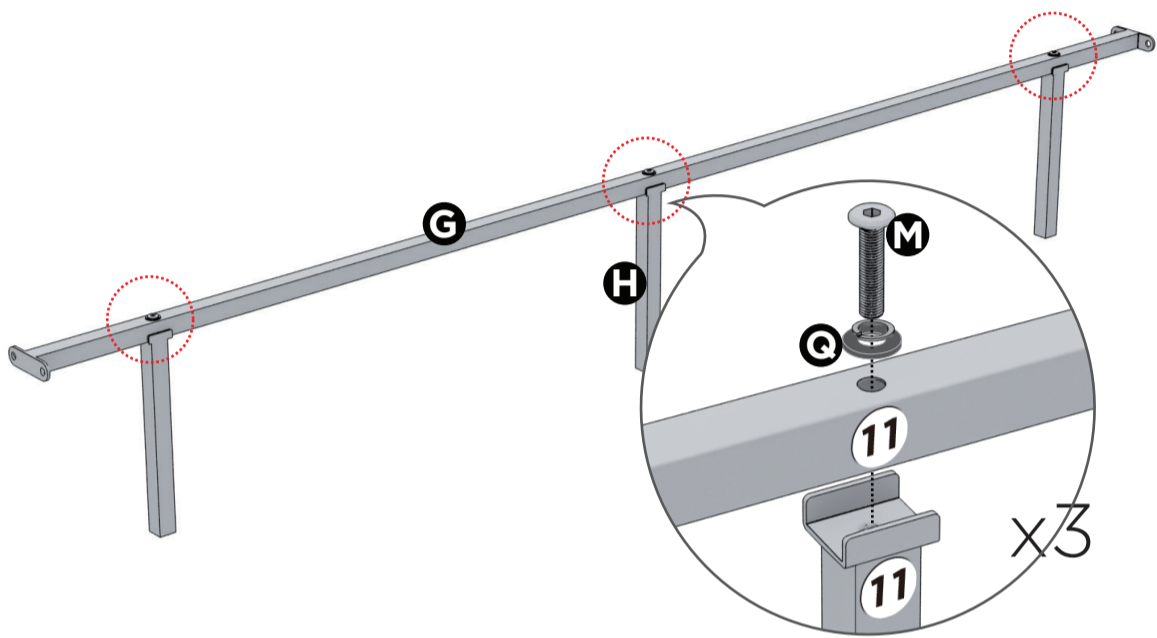
4



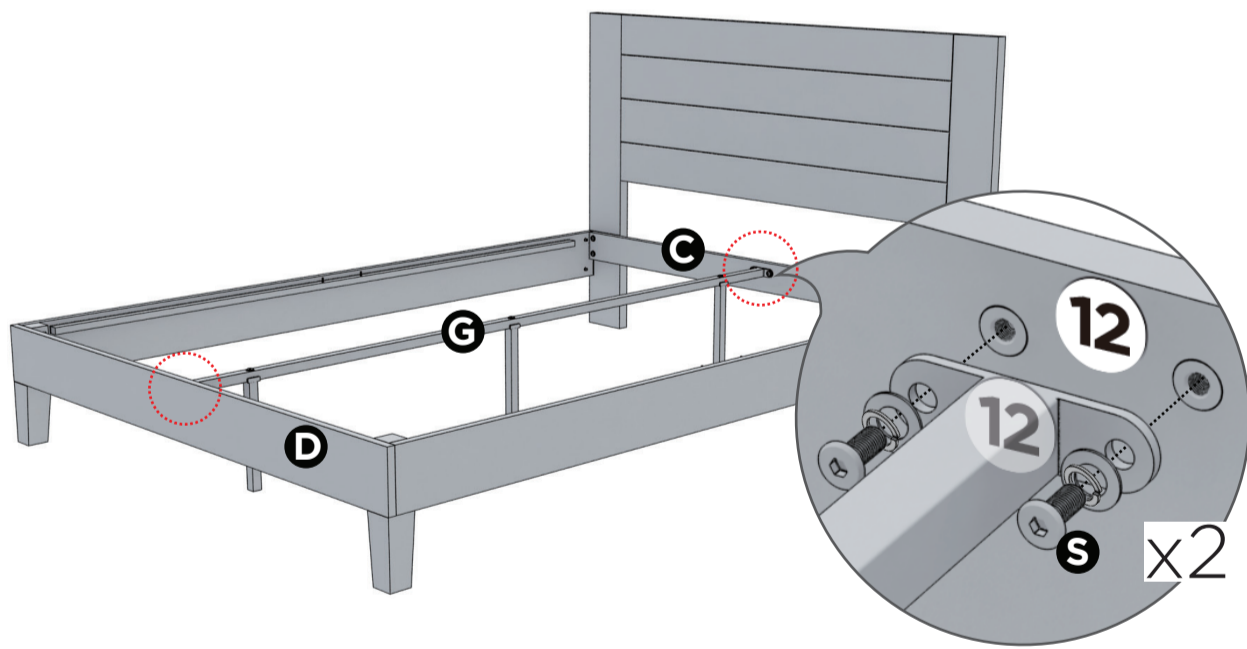
5



6



7



8

