

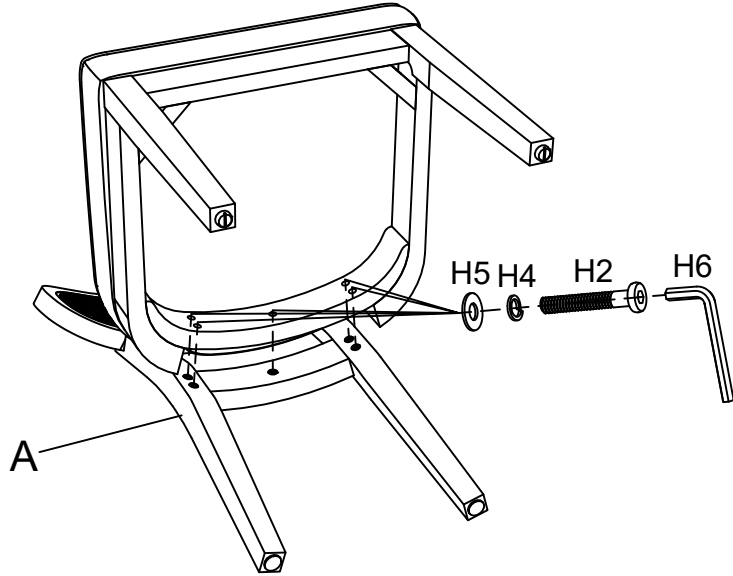
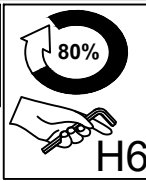
3

H2×5pcs
M8×60mm

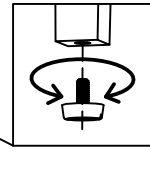
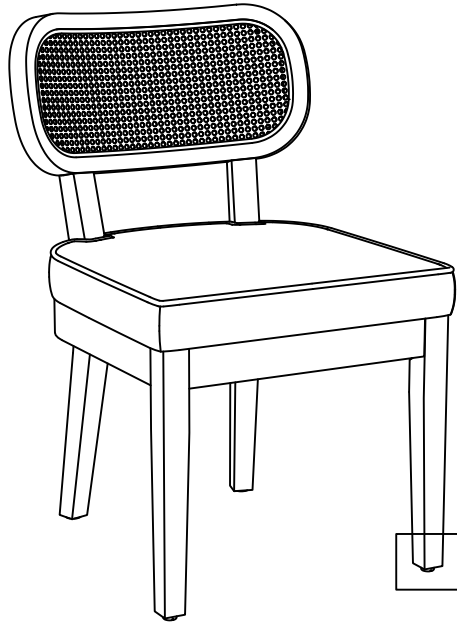
H4×5pcs
M8

H5×5pcs
M8×22×1.5mm

H6×1pc
M6



4

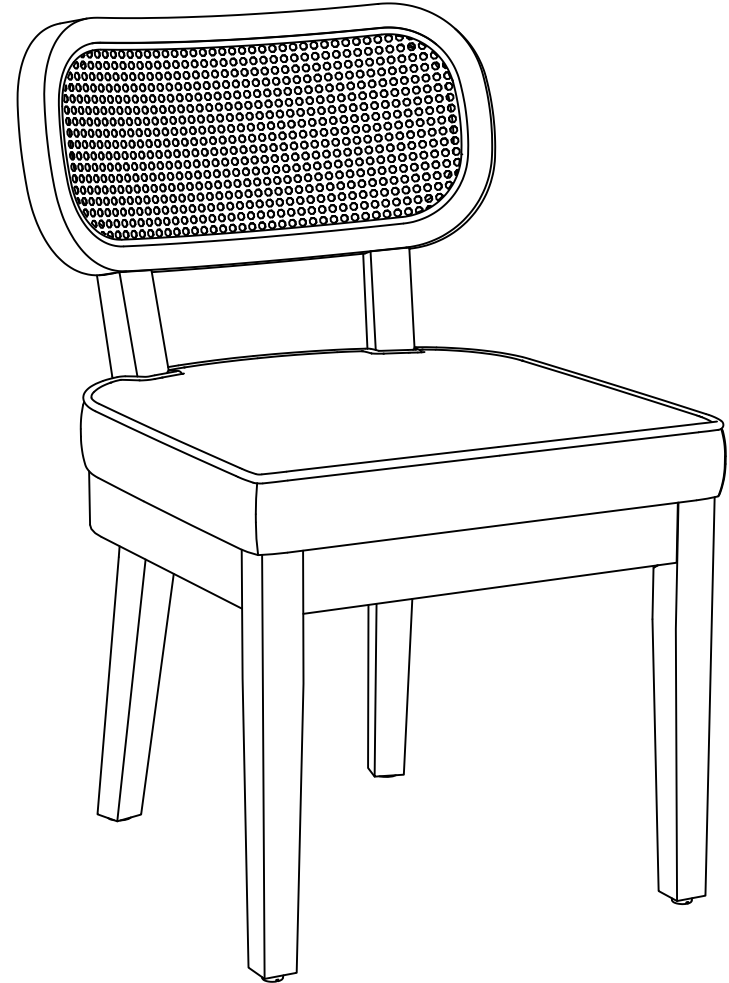


Adjust the glider if the chair is unbalance.

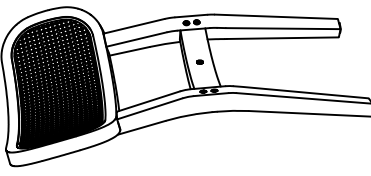
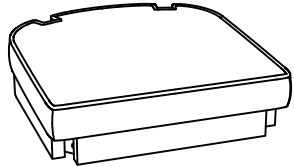
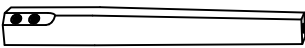
Adjust the chair so that it is leveled, then fully tighten all the bolts.

ASSEMBLY INSTRUCTION



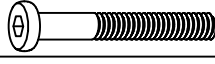




Dining chair



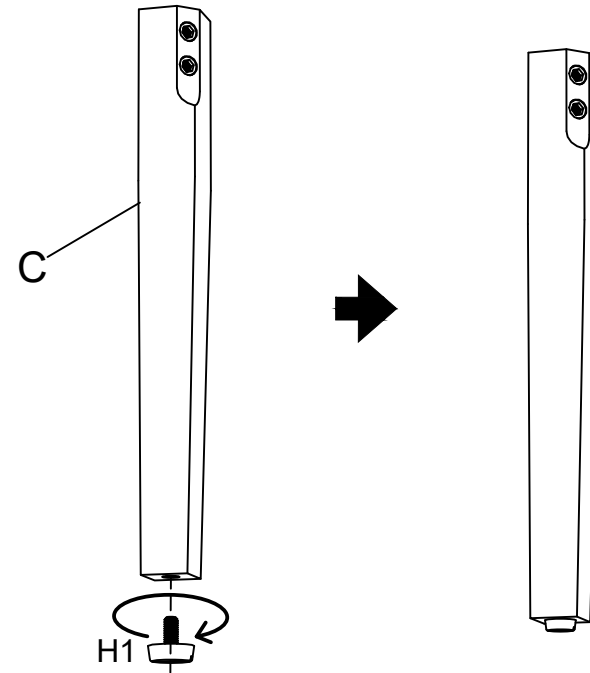
Component List

LABEL		DESCRIPTION	QTY
A		Back	1
B		Seat	1
C		Front leg	2

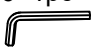
Hardware List

LABEL		DESCRIPTION	QTY
H1		Adjust gliders	2
H2		Bolts M8x60mm	5
H3		Bolts M8x70mm	4
H4		Spring washer M8	9
H5		Flat washer M8x22x1.5mm	9
H6		Allen key M6	1
H7		Spare foot pad	2

1



2

 H3x4pcs M8x70mm	 H4x4pcs M8	 H5x4pcs M8x22x1.5mm	 H6x1pc M6
--	---	--	--

