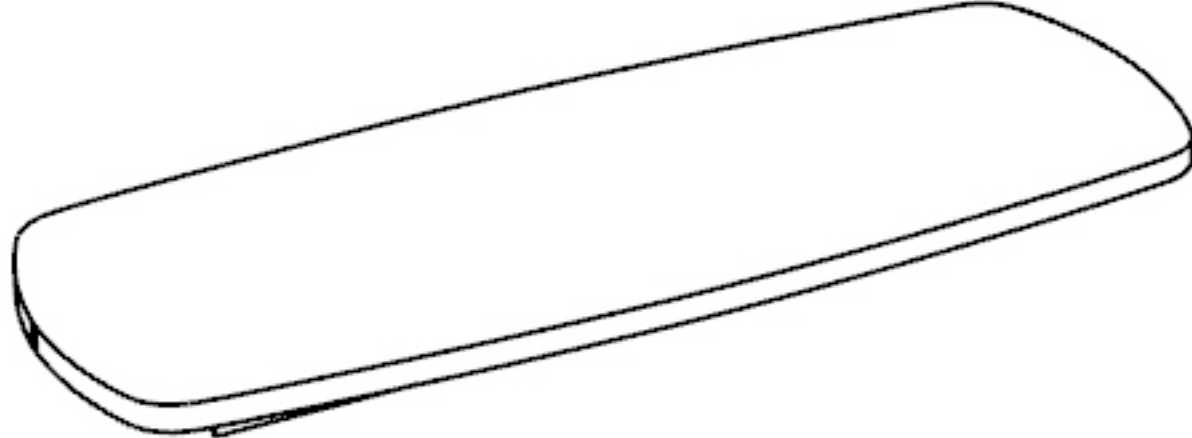
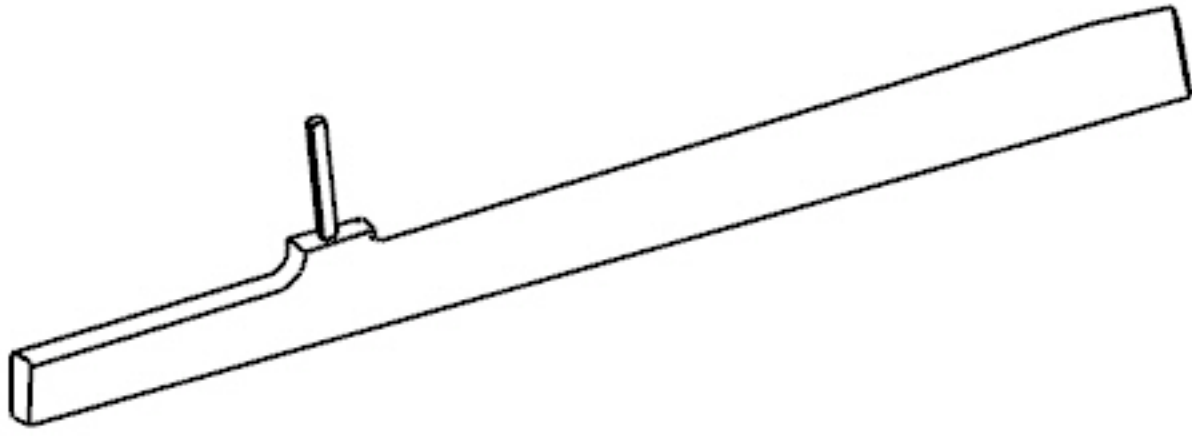
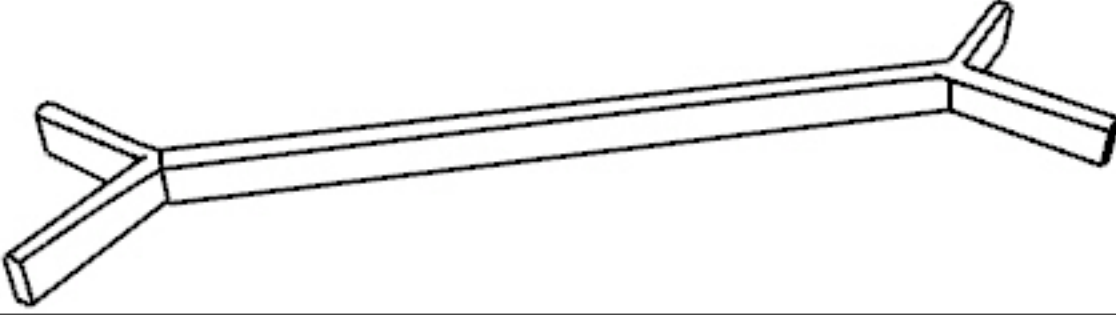



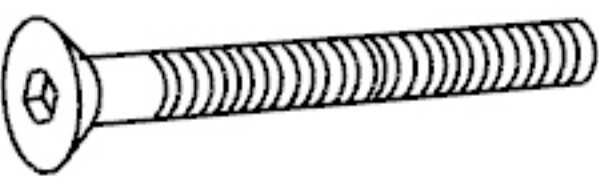

ASSEMBLY INSTRUCTIONS




Component List

Label	Picture	Description	Qty
A		Table top	1
B		Leg	4
C		Stretcher	1

Hardware List

Label	Picture	Description	Qty
H1		Small Allen Bolt 25x6 mm	4
H2		Large Allen Bolt 80x6 mm	8
H3		Washer 8 mm	8

Tool List

Label	Picture	Description	Qty
T1		Allen Key 4 mm	1

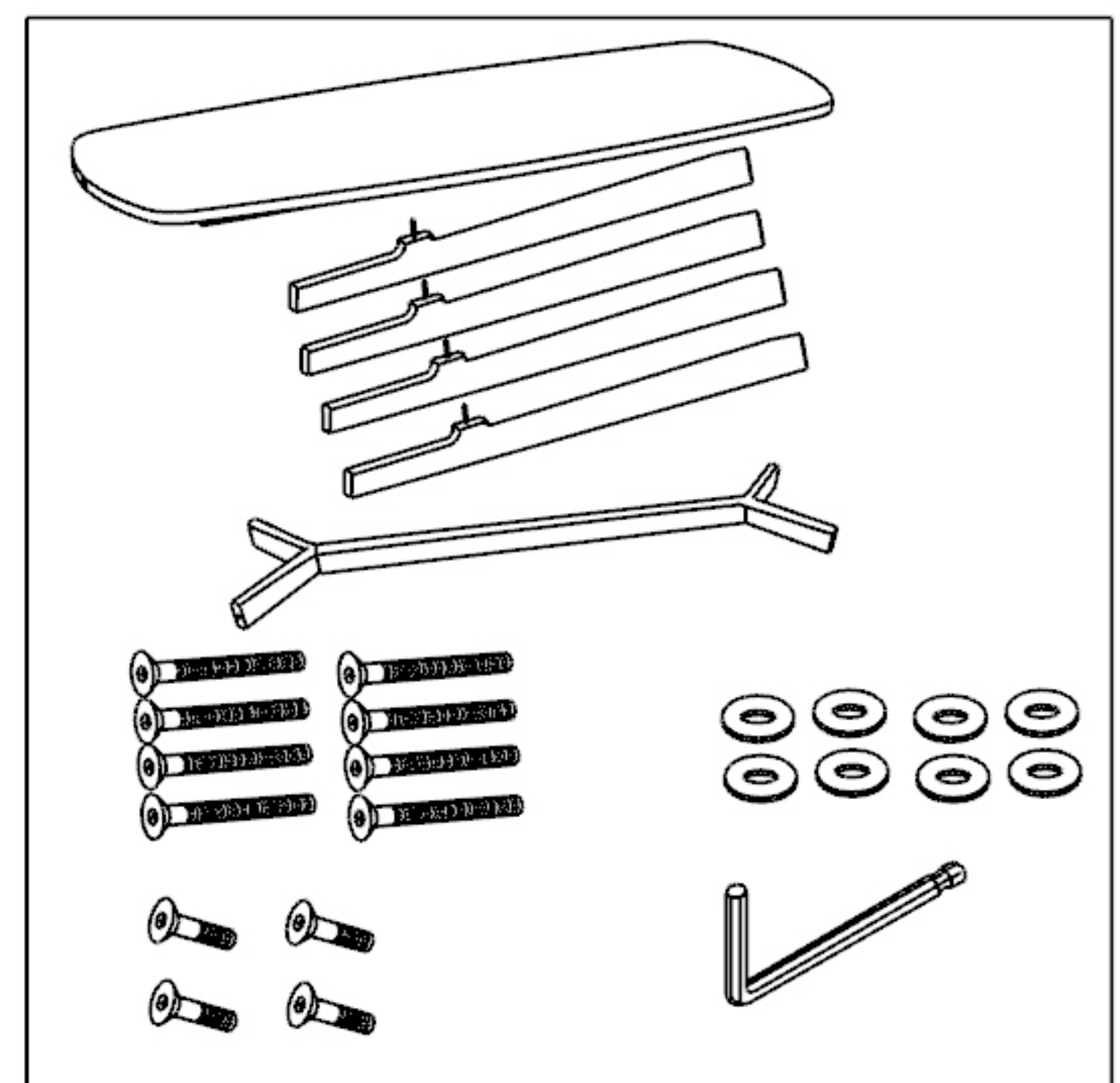
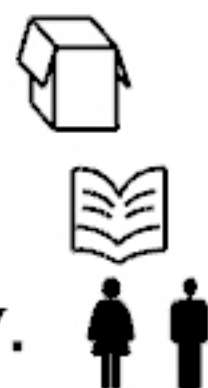
Assembly Prep

Before Beginning:

* Save all packing until finished.

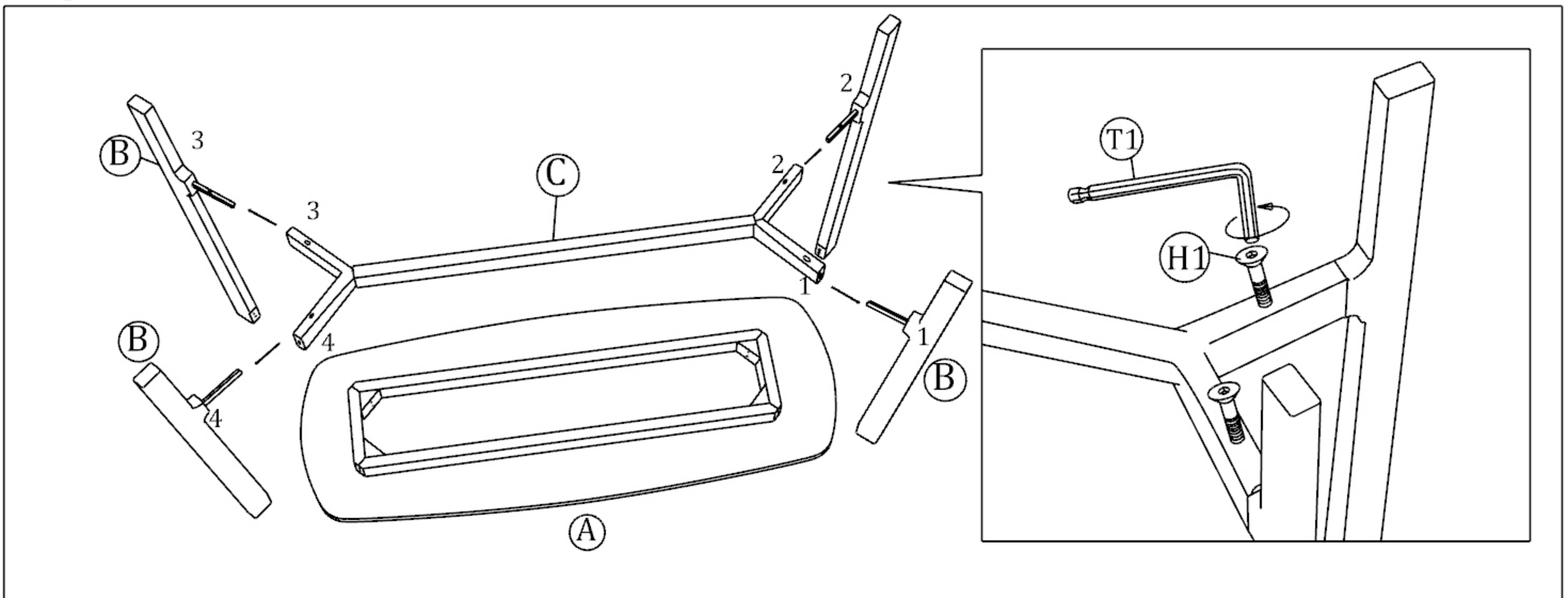
* Read Instructions, cover to cover.

* Have 2 adults on hand for assembly.



Assembly Steps

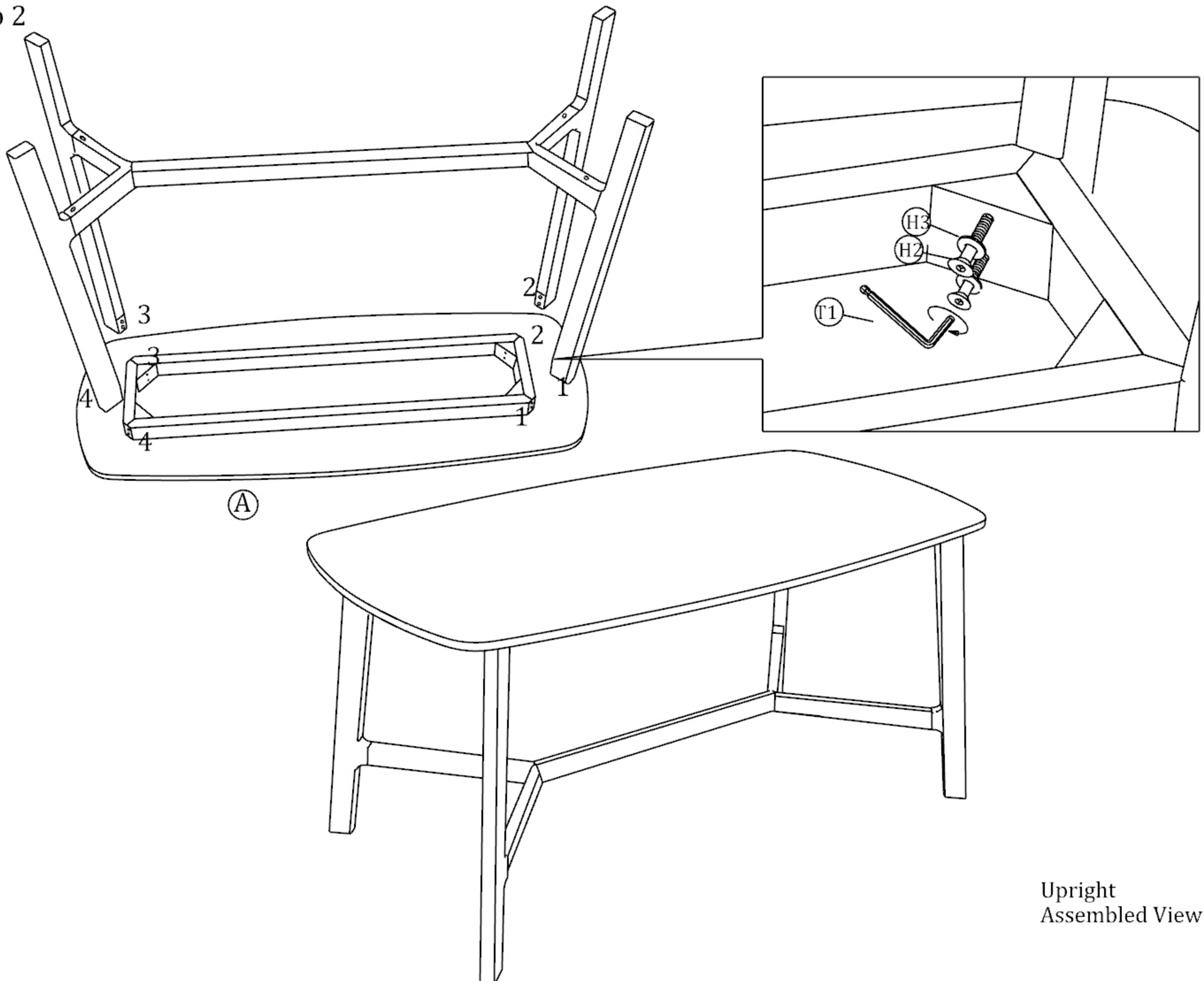
Step 1



Careful : Extremely heavy product.

Place Table Top (A) upside down on a non-damaging padded surface. Align Stretcher (C) on the Legs (B) as shown above and secure the connections with Small Allen Bolt (H1) and tighten it with Allen Key (T1).

Step 2



Align pre-assembled leg frame (B+C) onto Table Top (A) matching the markings - 1 to 1, 2 to 2...etc. Secure the connections with Large Allen Bolt (H2) and tighten it with Allen Key (T1). Repeat the step to secure all tightly. Turn the piece upright. Product is ready to use.