




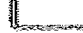

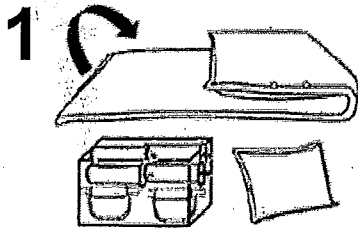
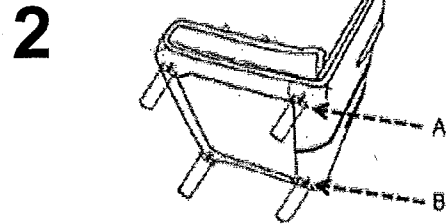


ASSEMBLY INSTRUCTION

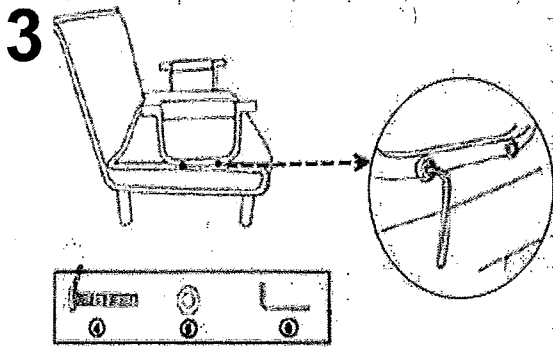
HARDWARE & PARTS						
①	②	③	④	⑤	⑥	⑦
						
Sofa	Armrest	Metal leg	Bolt (L)	Washer	Allen Wrench	Pillow
1 pcs	2 pcs	4 pcs	4 pcs	4 pcs	1 pcs	1 pcs



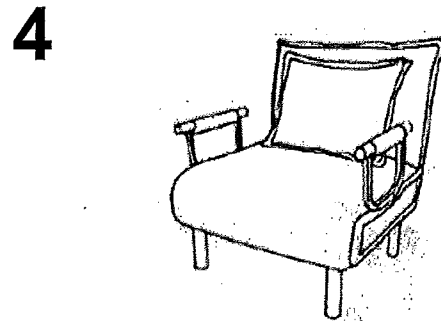
Once the package is opened, the loose parts will be in a box. Carefully open the box. The back rest must be up in order to go on forward onto step 2, lift up the back rest like the image above by gently lifting it up with a click clack mechanism. It may be easier to do this if there is another person holding the seat cushion down.



Once the back seat is up like the image, easily put on the legs by location the holes on each corner. Attach each leg by twisting the bolt part of the leg onto the chair until it is tightened.

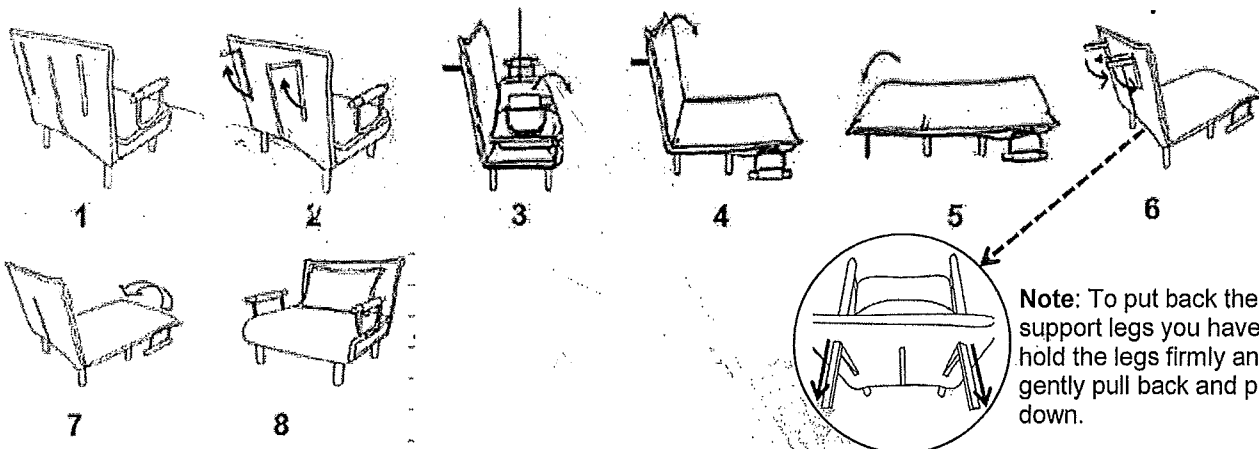


Note: The bolts are pre assembled and need to be taken off by the allen wrench before assembling the arms. Once the bolts taken off, arrange the holes of the arm to the side of the chair. Make sure that each bolt has a washer placed in each one and twist on each one, tighten with allen wrench.



Once the arms are placed, your chair is now complete! You can change this convertible chair to a lounger and a flat bed! Below are illustrations on how to do it.

Function:



Note: To put back the support legs you have to hold the legs firmly and gently pull back and push down.

*In order to convert your chair into a bed, first take out the legs by opening the two zippers on the back and pull the legs out.

*You can fold out the front cushion by folding it the other way like image 3 to 4.

*Bring down the back rest by pushing the back rest from behind it forward until you hear the metal click sounds from the mechanism. There are multiple angles for the back rest that can be made into a lounger by stop raising the back to your desired angle.