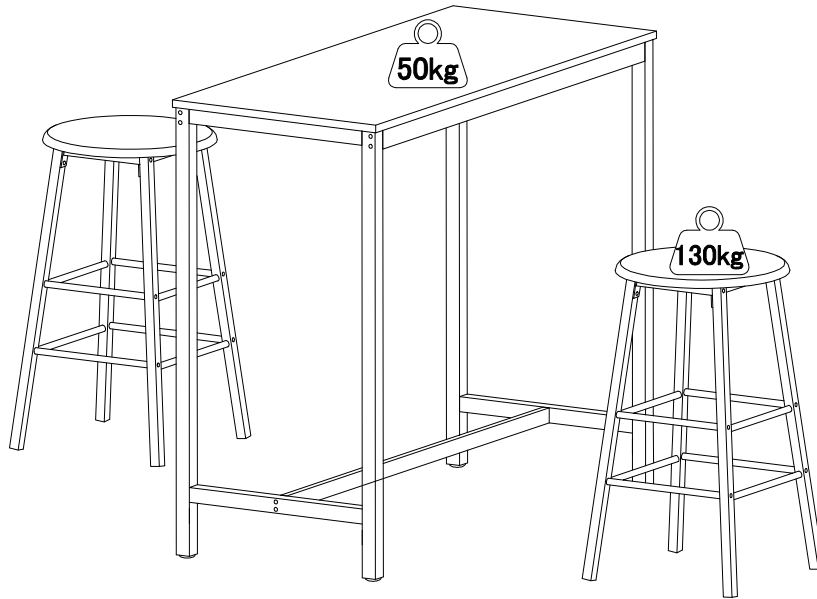
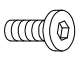
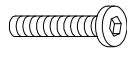
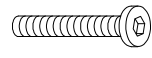
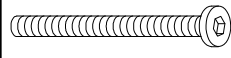
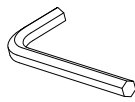
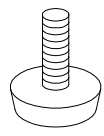

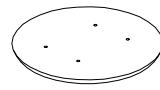
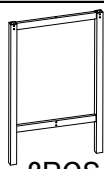

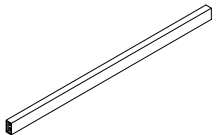

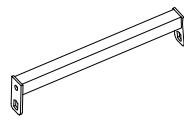

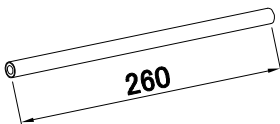


Assembly Instructions



When unpacking, please be careful not to discard any parts with the packaging. Be sure to check all packing material carefully for small parts which may have come loose inside the carton during shipment. Please separate, identify, and count all parts and metal hardware. Compare with part list to be sure all parts are present. If hardware is missing or you have difficulty in assembling this product please contact us at your earliest convenience.

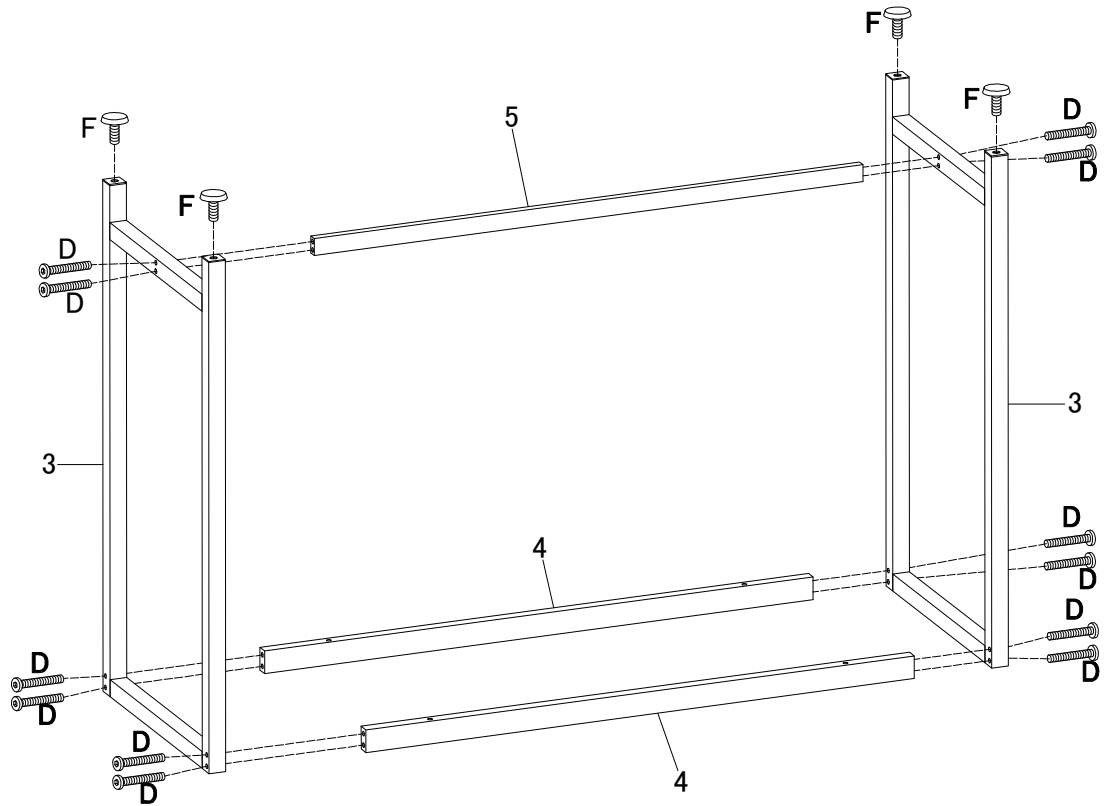
Overview

A	M6*12mm Screw	B	M6*25mm Screw	C	M6*28mm Screw	D	M6*50mm Screw	E	Allen Key	F	Foot pads
											
	8PCS		8PCS		24PCS		16PCS		1PC		4PCS
1	Desktop board		2	Seat plate		3	Table leg		4	Pull rod on the table	
											
	1PC			2PCS			2PCS			2PCS	
5	Pull rod under the table		6	Chair foot		7	Upper pull rod of chair		8	Middle pull rod of chair	
											
	1PC			4PCS			4PCS			4PCS	
9	Pull rod under chair										
											
	4PCS										

Installation Steps

Caution: If the table or chair wobbles loosen the parts and try to assemble again. Our table or chair can only be used on a flat, level surface. For better use, we may advise you tighten all the screws every few months.

1

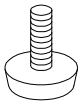


D M6*50mm Screw



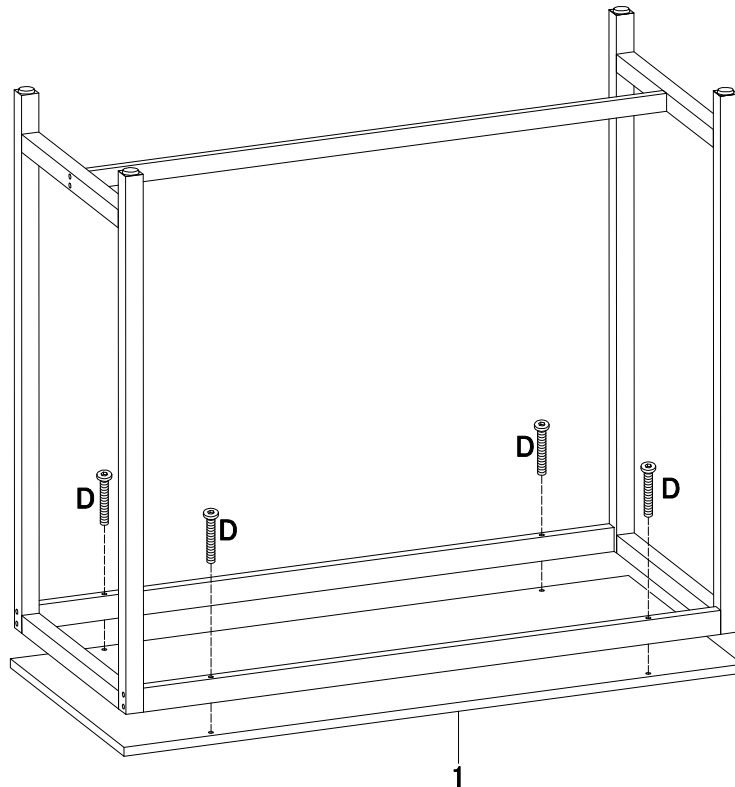
12PCS

F Foot pads

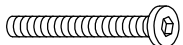


4PCS

2



D M6*50mm Screw

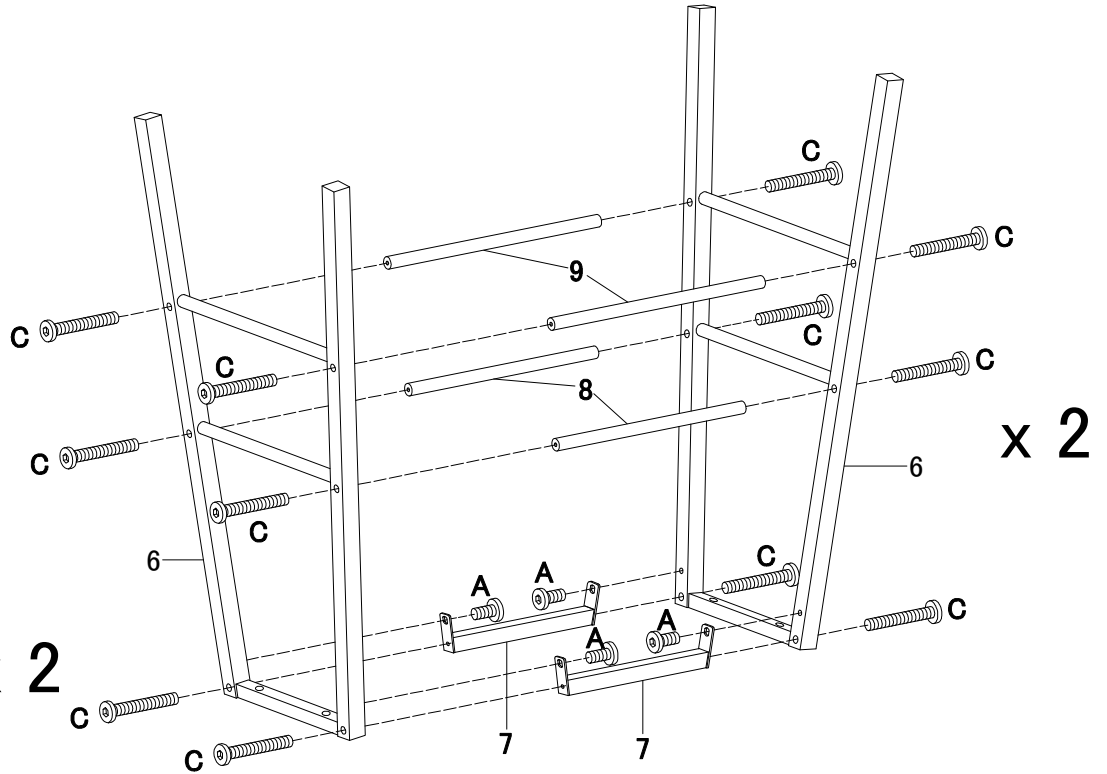


4PCS

Installation Steps

Caution: If the table or chair wobbles loosen the parts and try to assemble again. Our table or chair can only be used on a flat, level surface. For better use, we may advise you tighten all the screws every few months.

3



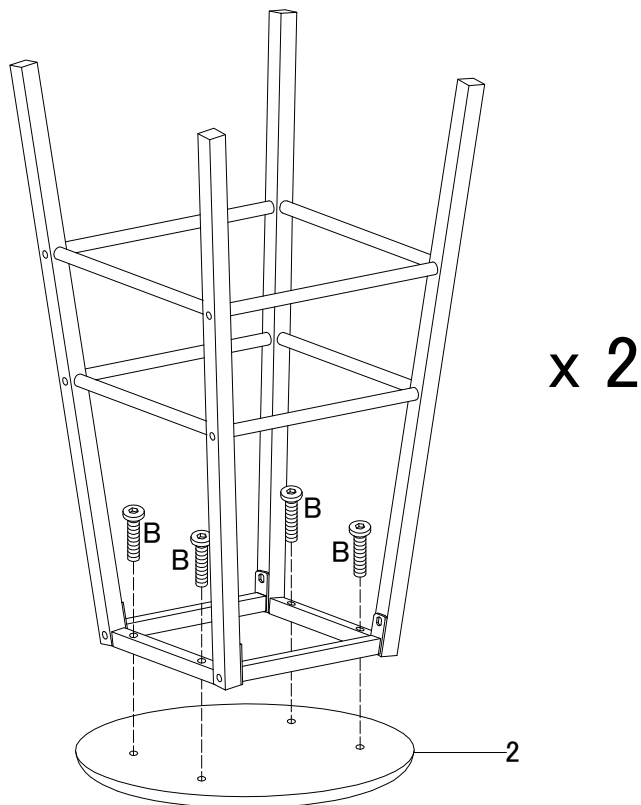
A M6*12mm Screw



C M6*28mm Screw



4



B M6*25mm Screw

