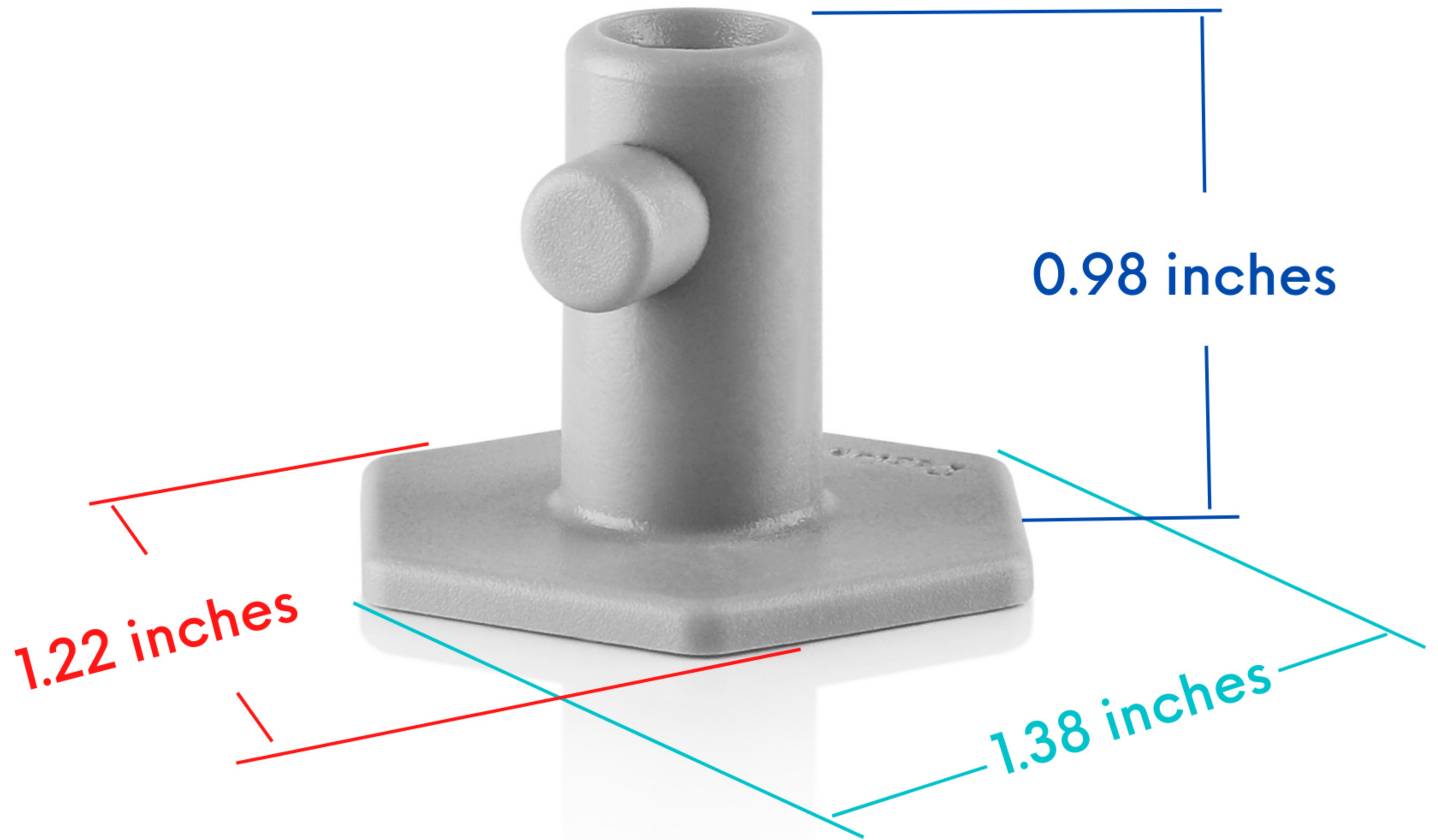


# DIMENSION



Hexagon design