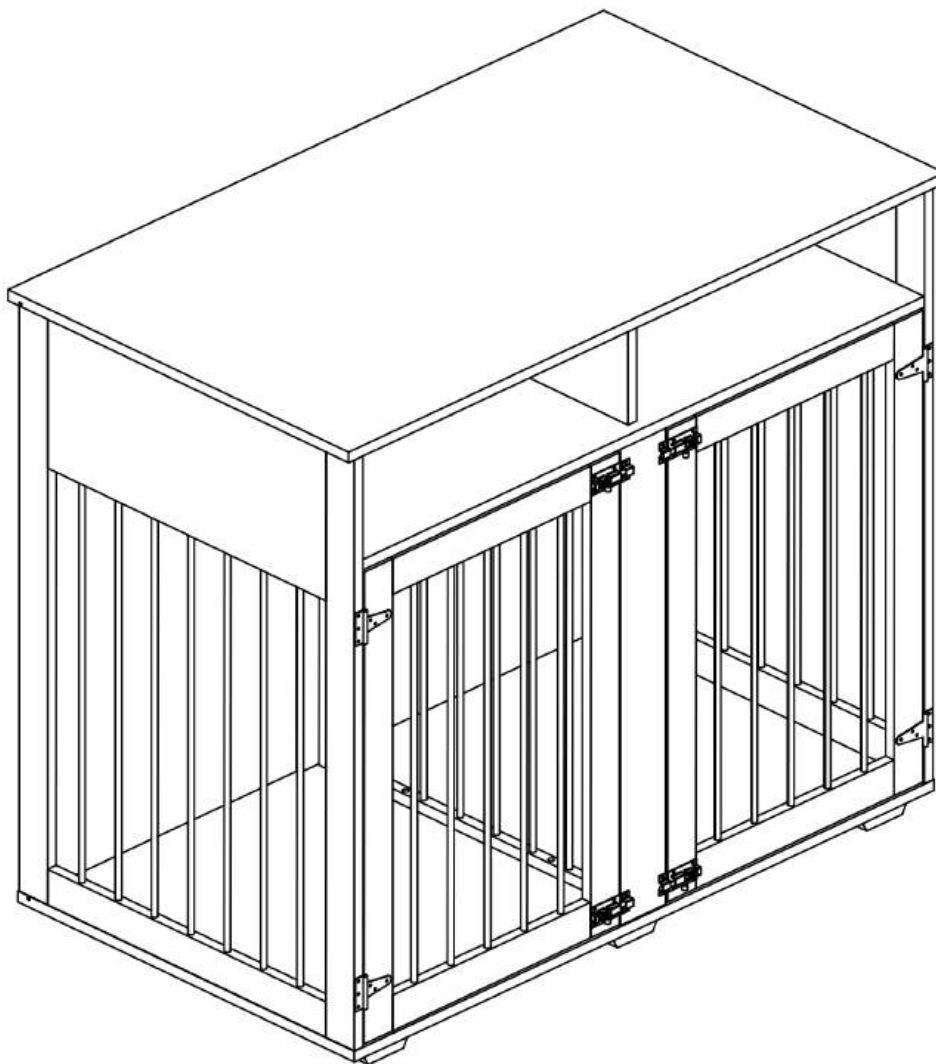


ASSEMBLY INSTRUCTION

Farmhouse Dog Crate Furniture

THE PRODUCT MAY RECOMMENDED ASSEMBLING BY **MORE THAN ONE PERSON**

SKU: P0000501



REPLACEMENT PARTS

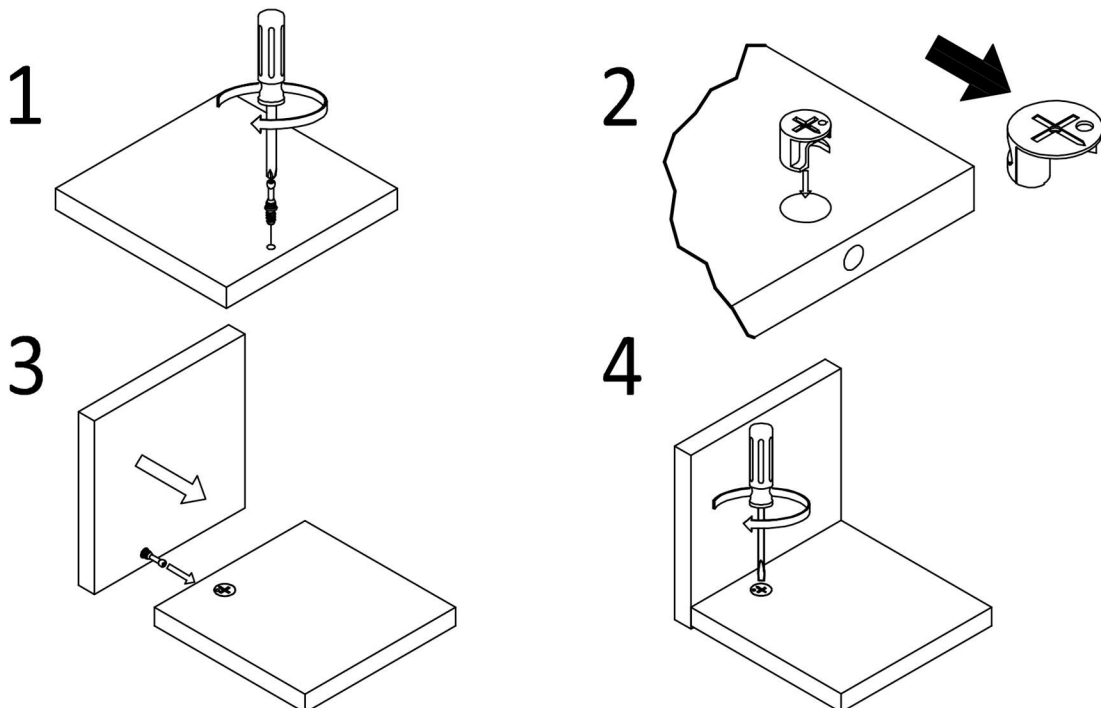
We are devoted to provide the best products and services for customers. Please contact us via the “**Contact seller**” button in the detail page of your order for any concern and we'll response as soon as possible.

Before You Start

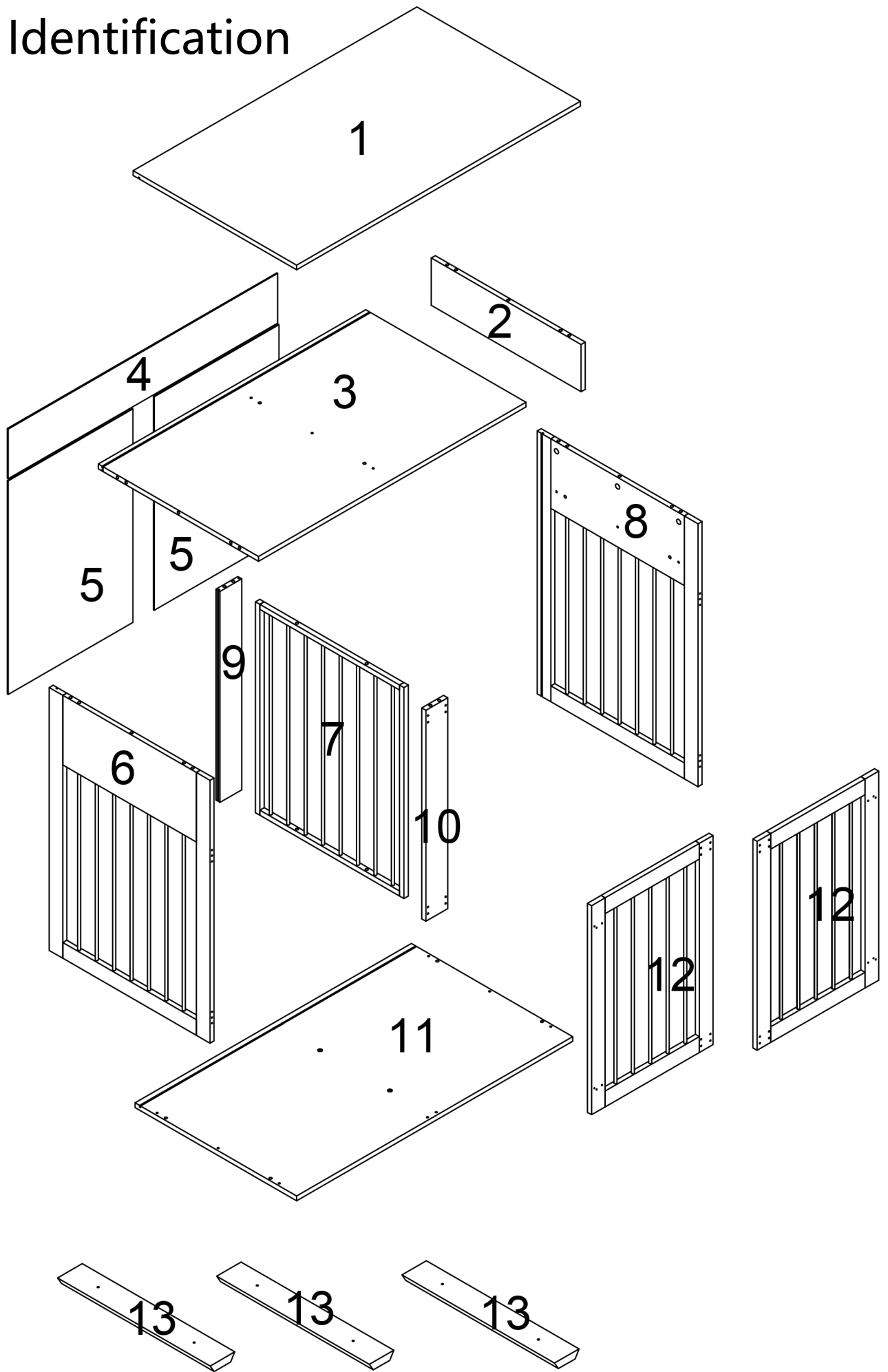
1. Read through each step carefully and follow the proper order
2. Separate and count all your parts and hardware
3. Give yourself enough room for the assembly process
4. Caution: If using a power drill or power screwdriver for screwing, please be aware to slow down and stop when screw is tight. Failure to do so may result in stripping the screw.

Cam Lock Fastening System

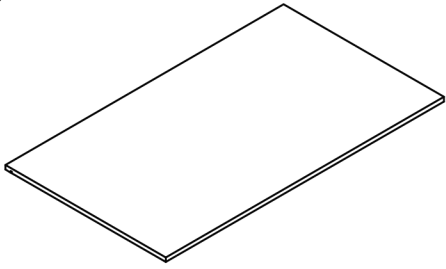
This Cam Lock Fastening System will be used throughout the assembly process.



Parts Identification

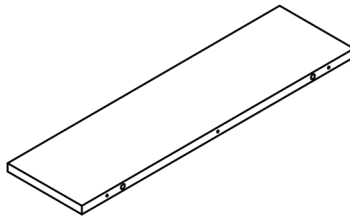


Parts List



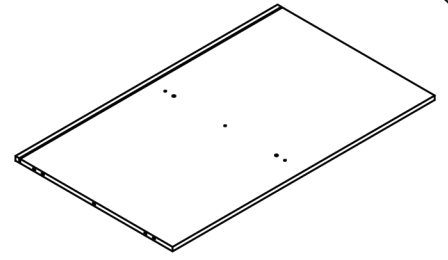
1

1PC



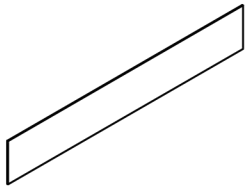
2

1PC



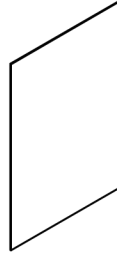
3

1PC



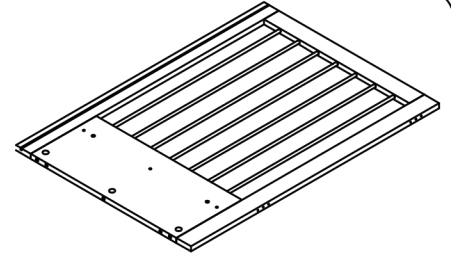
4

1PC



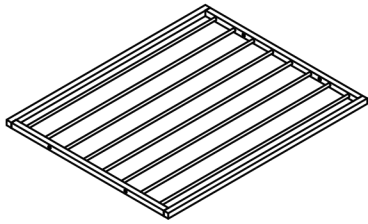
5

2PC



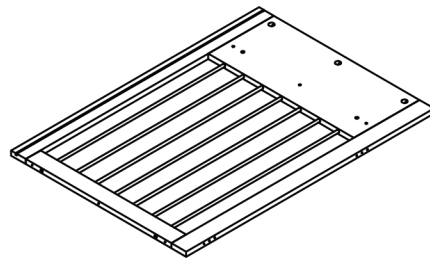
6

1PC



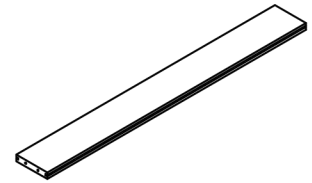
7

1PC



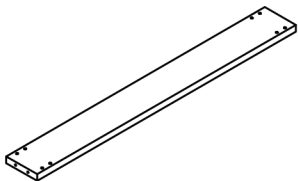
8

1PC



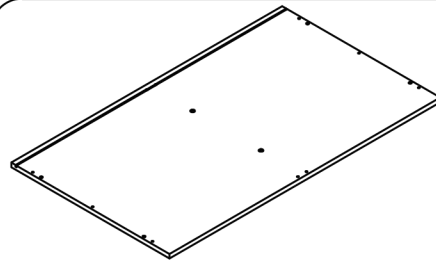
9

1PC



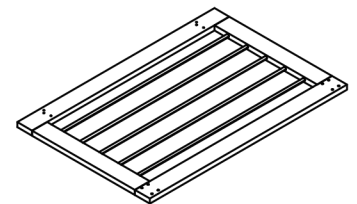
10

1PC



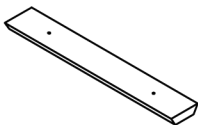
11

1PC



12


2PC



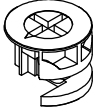
13

3PC

Hardware List




A	19PC
---	------



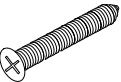
Ø15

B	19PC
---	------



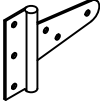
Ø8*30mm

C	18PC
---	------




Ø4*40mm

D	11PC
---	------

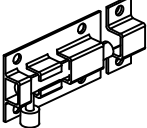


E	4PC
---	-----




Ø3*14mm

F	24PC
---	------

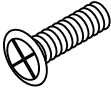


G	4PC
---	-----




Ø4*30mm

H	6PC
---	-----



M6*25mm

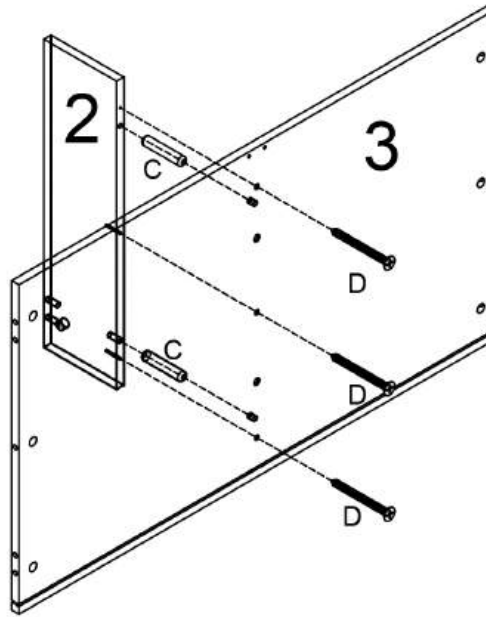
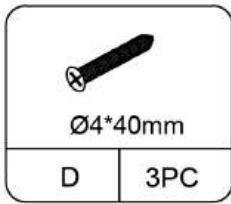
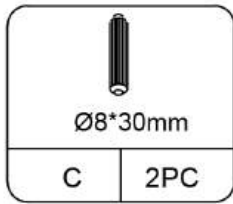
I	4PC
---	-----



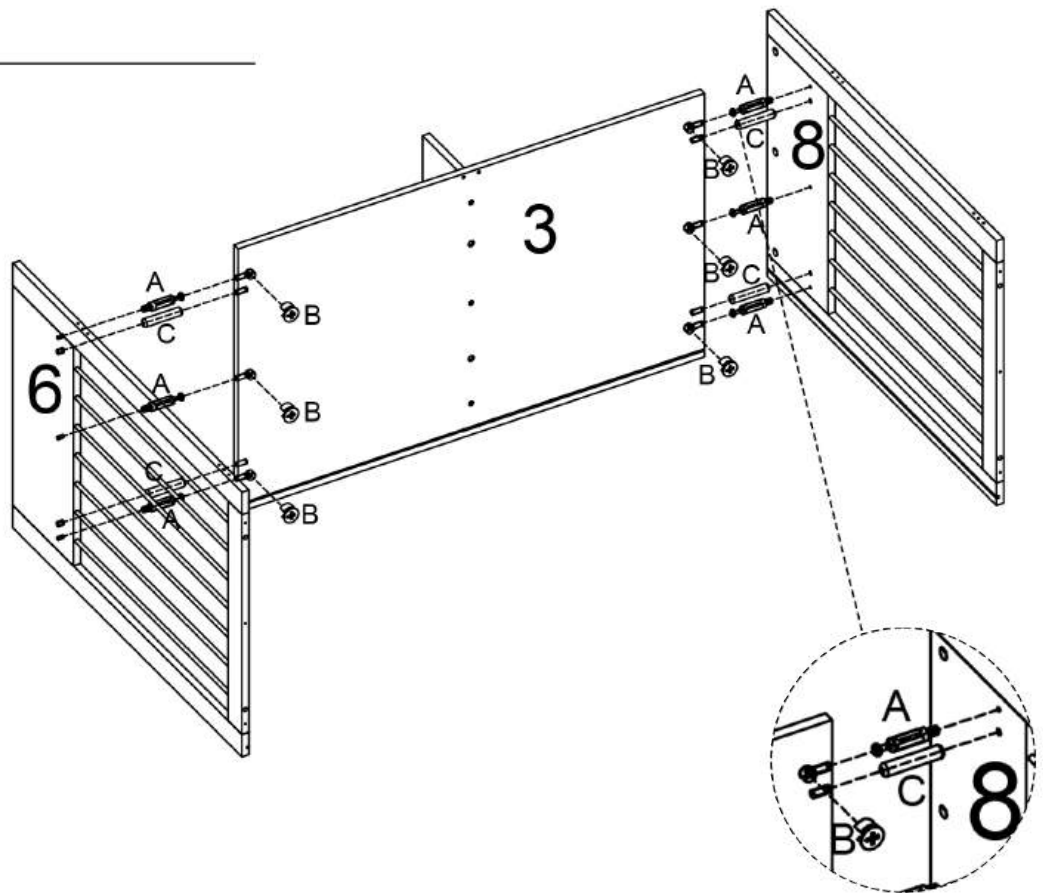
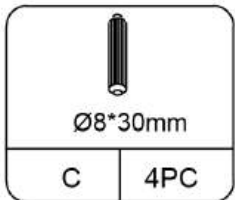
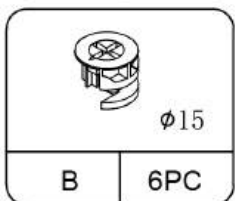
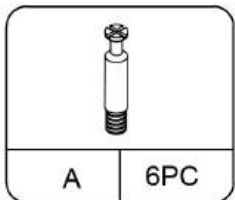
Ø3*12mm

J	24PC
---	------

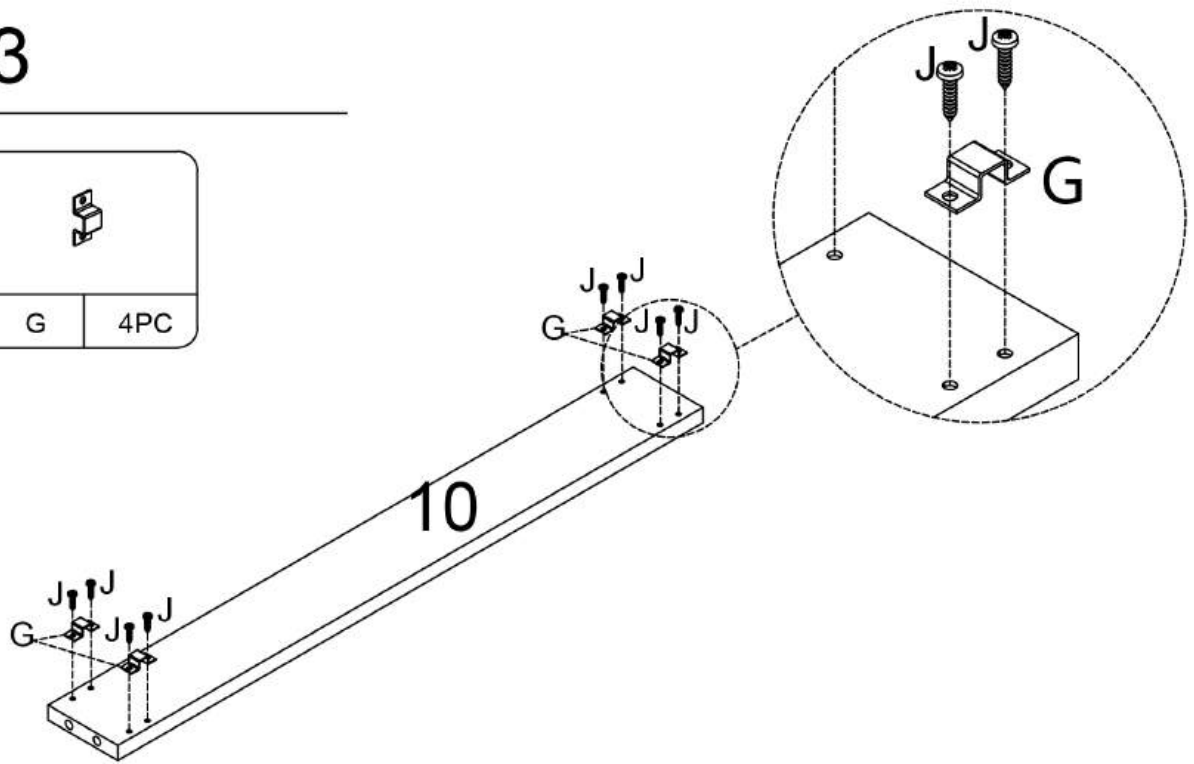
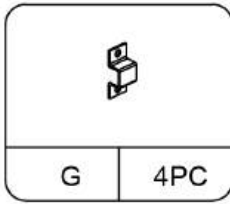
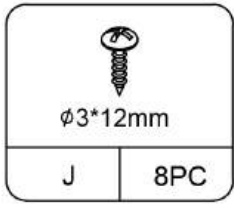
STEP 1



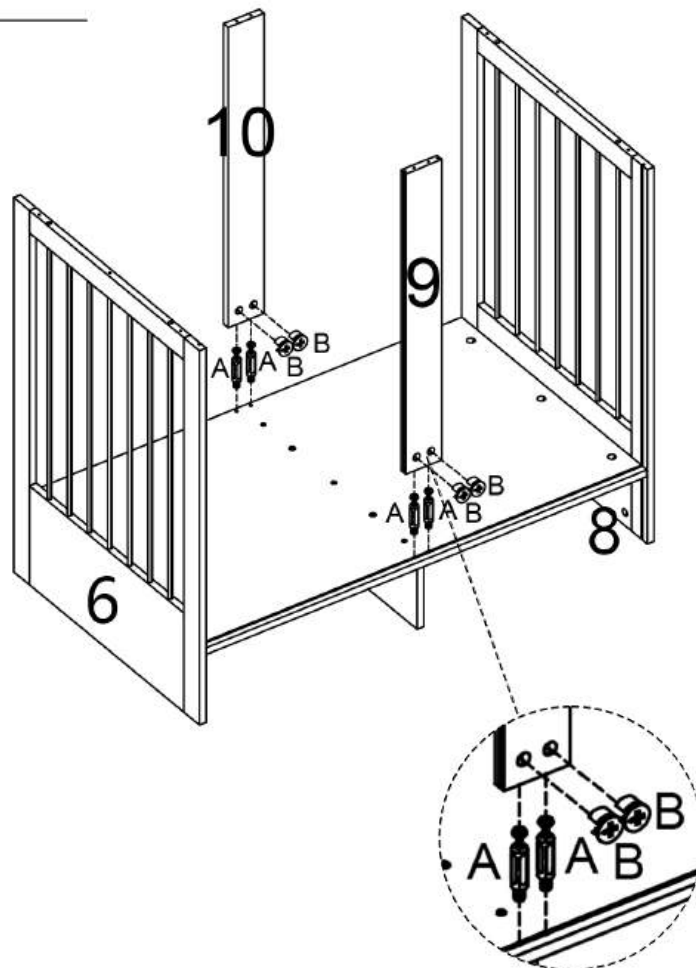
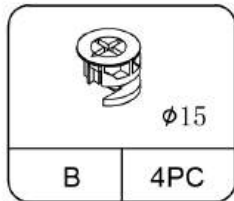
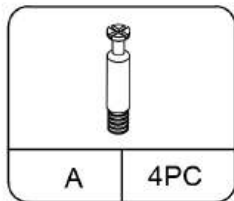
STEP 2



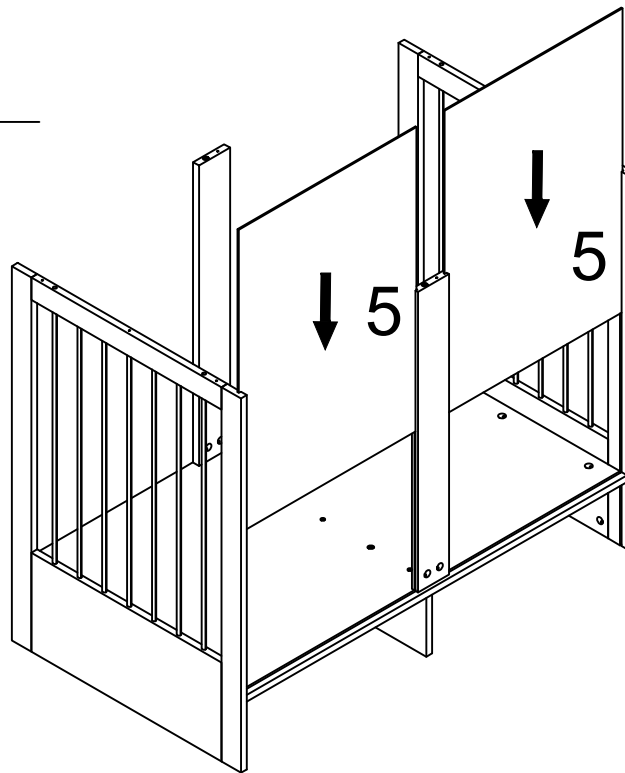
STEP 3



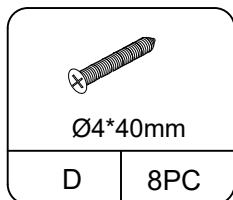
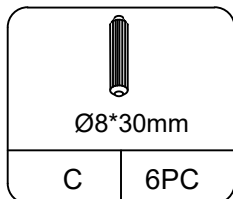
STEP 4



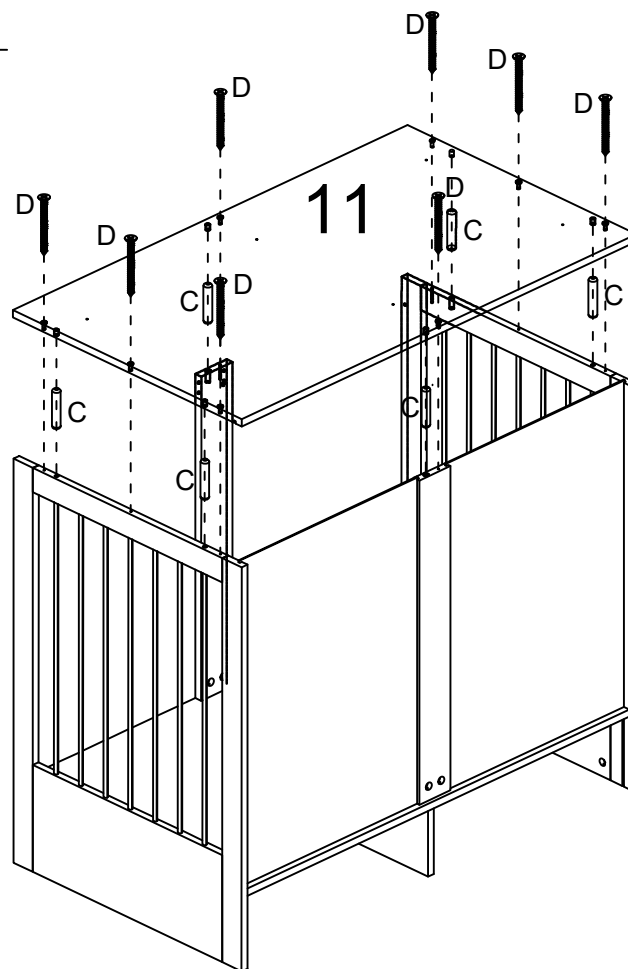
STEP 5



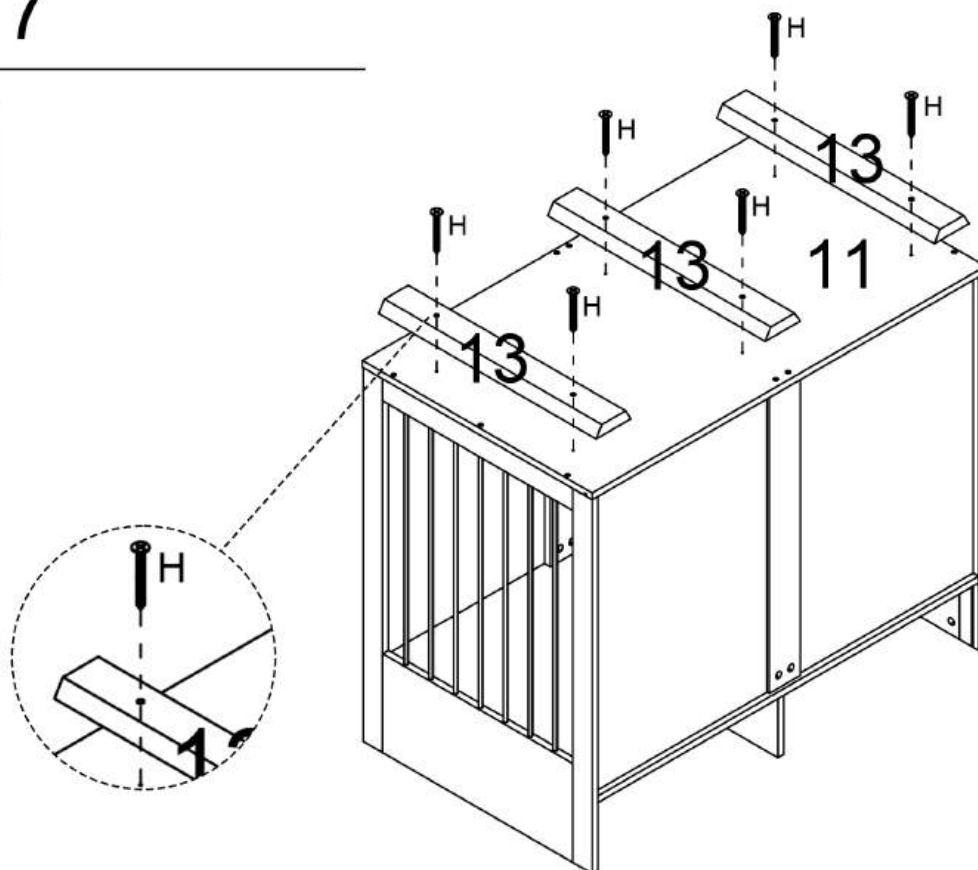
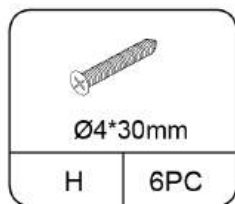
STEP 6



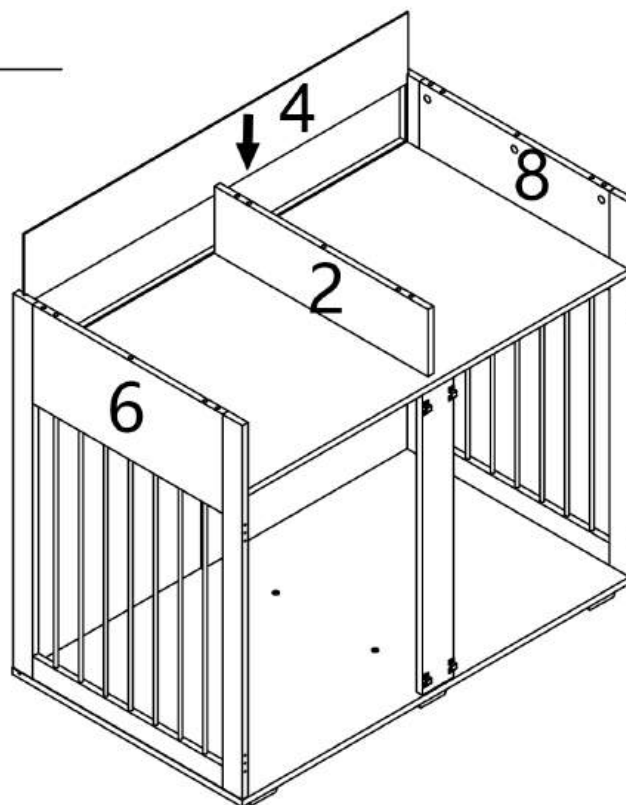
Insert dowel (C) into part 11
Attach part 11 to part (6,8)
through dowel (C) and screw (D)
Attach part 11 to part (9,10)
through screw (D)



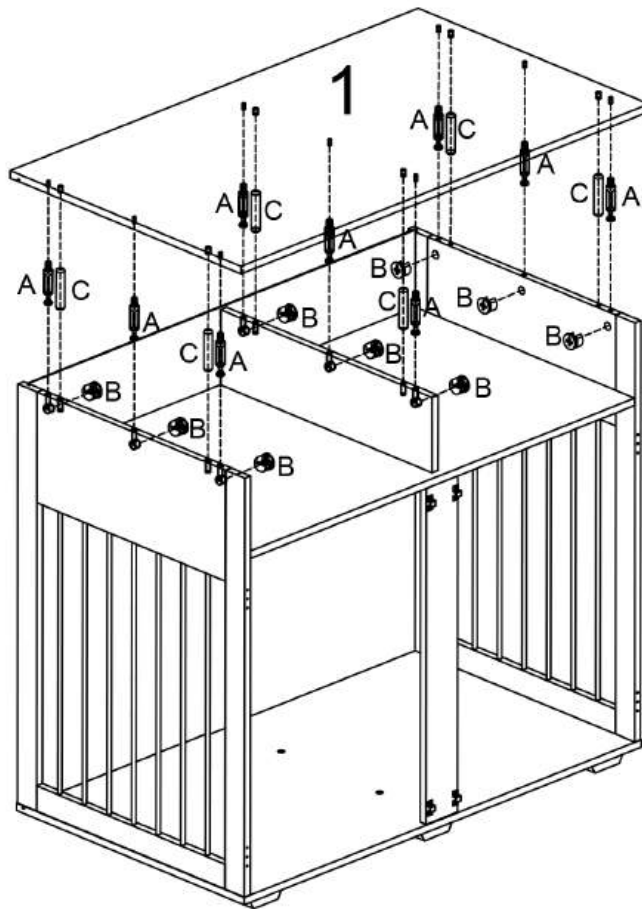
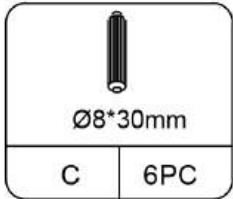
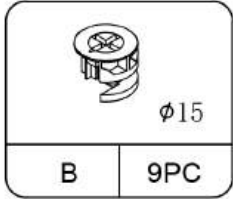
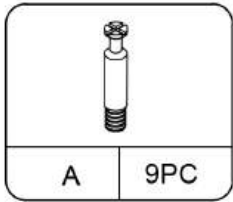
STEP 7



STEP 8



STEP 9



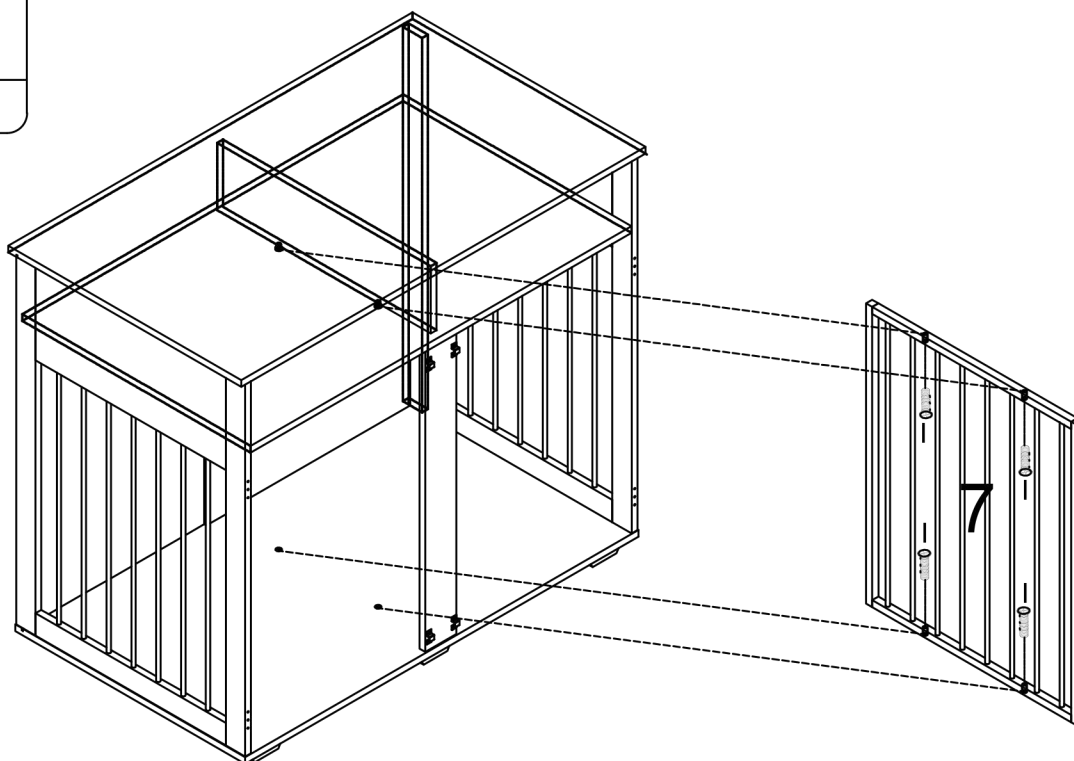
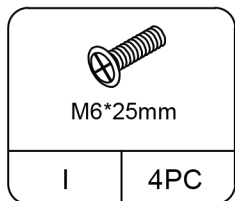
Important

2 people required

2 personnes requises

2 personas requeridas

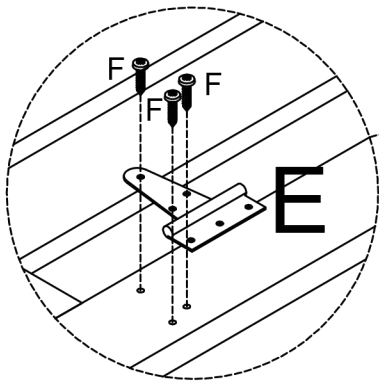
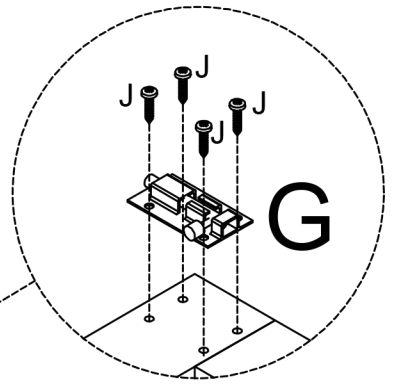
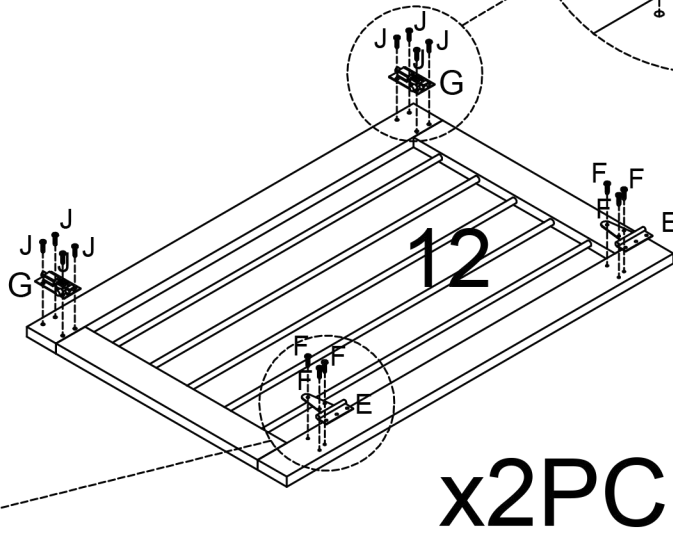
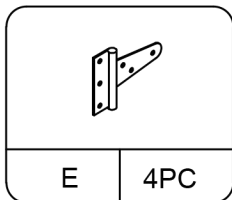
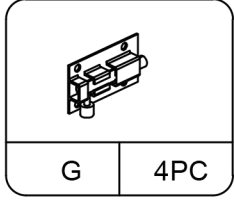
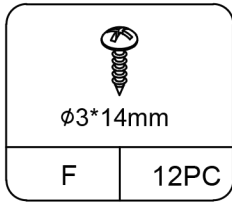
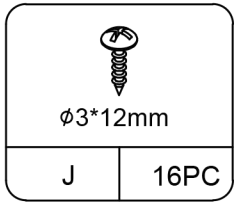
STEP 10



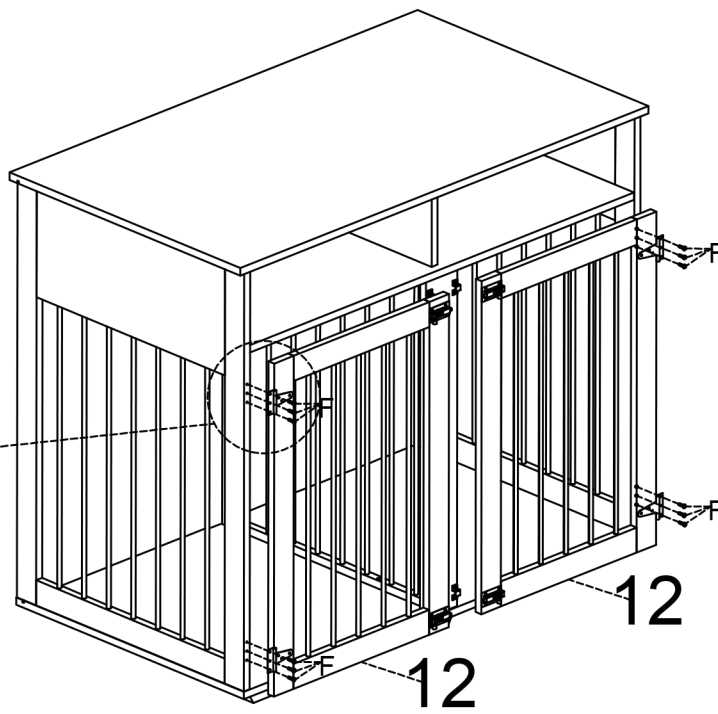
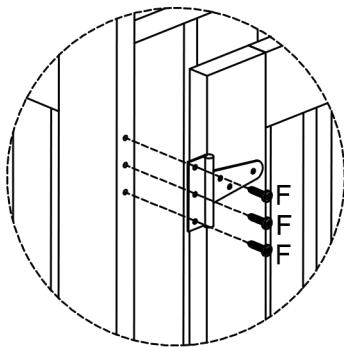
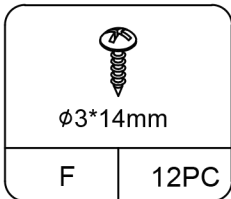
1.If you have 1 big dog, you can choose not to install this part 7.

2.If you have 2 small dogs, we suggest you need to install this part 7 to separate them.

STEP 11



STEP 12



STEP 13

