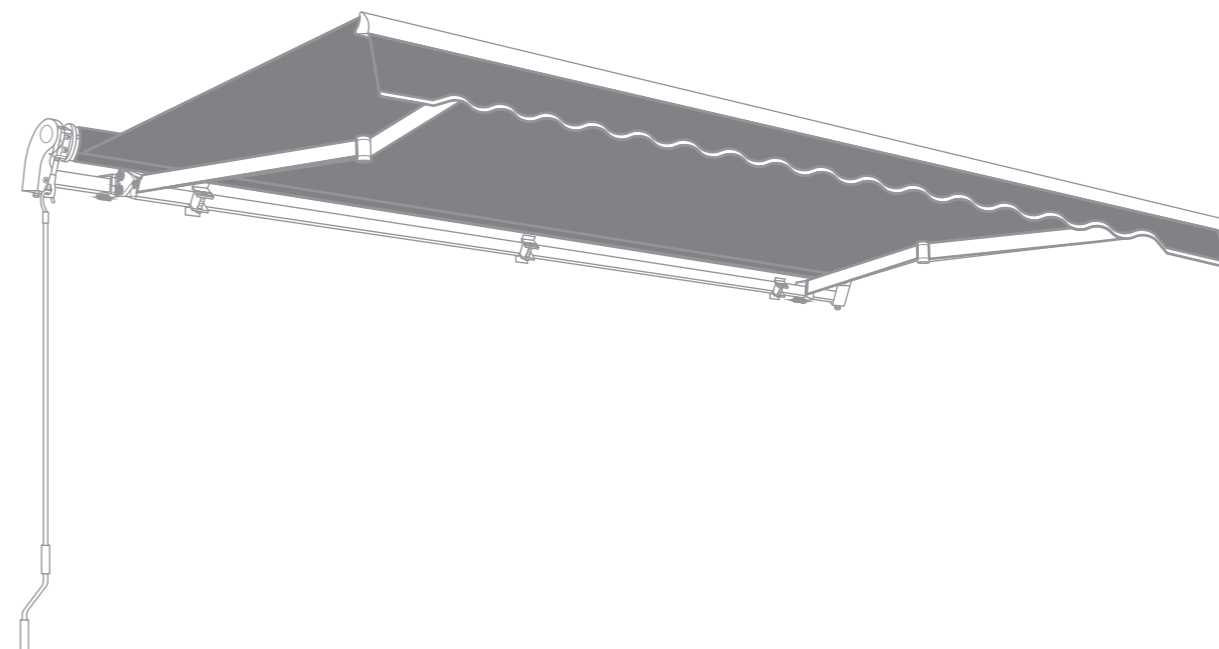




MCombo®



OWNER'S MANUAL

MOTORIZED AWNING

shopify



MCombo.com

amazon



Amazon.com/mcombo

v2.1.0

Newacme LLC, 2411 Bear Corbitt Rd STE 1 New Castle, DE, 19720

sales@mcombo.com

302-660-1446 (8:00 a.m. - 4:00 p.m. (Monday - Friday) TIME ZONE: PST)

NEWACME LLC www.mcombo.com / sales@mcombo.com

6055-4643/4693

Hello,
 Thank you for choosing MCombo®
 Let's get started

○ PURCHASER'S AGREEMENT

By accepting delivery of this product, you promise that you will not change, alter, or modify this product or remove or render inoperable or unsafe any guards, shields or other safety features of this product.

You will not refuse or neglect any retrofit kits that MCombo may provide to enhance and preserve the safe use of this product.

CONTENTS

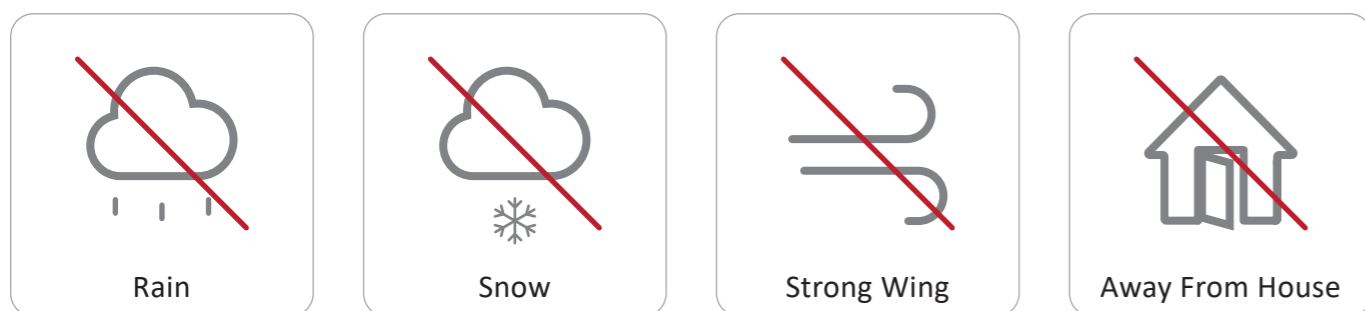
I	SAFETY GUIDELINES	- 03
II	MAINTENANCE	- 03
III	ASSEMBLY INSTRUCTIONS	- 04
	<ul style="list-style-type: none"> • Preparation • Part List • Parts Exploded View • Assembly Steps 	
IV	ABOUT THE MOTOR	- 18
V	WARRANTY	- 20
VI	MCOMBO CUSTOMER SUPPORT	- 21
VII	RETURN / REPLACEMENT POLICY	- 22

I. SAFETY GUIDELINES

⚠ WARNING For your own safety, please strictly follow the instructions in this manual, otherwise personal injury may result!

Before you proceed, please read the following safety precautions:

- Due to the strong elasticity of the umbrella arms, please tie the umbrella arms together when assembling the umbrella arms. Do not stand facing the front of the awning when cutting the strap between the arms. Hold on tight and slowly stretch until fully open.
- The product is bulky and heavy, requiring two adults to carry and install it. Please use all screws and nuts correctly during installation, it is very dangerous if loosened.
- Do not place, hang or stand objects or people on the awning. Doing so may damage the awning or cause serious personal injury, even death in extreme cases.
- Do not install it in a high place, a windy place, a place with vibration or impulse, and a high-temperature place such as a wall near the furnace. Never use it for any purpose other than that suggested. Be careful with your fingers when installing.
- Do not open the awning under the following circumstances:



II. MAINTENANCE

- Do not use bleach, acid, or other solvents on the fabric or frame parts.
- Please inspect and tighten all bolts or fasteners on a regular basis to ensure proper performance and safety of your side awning screen.

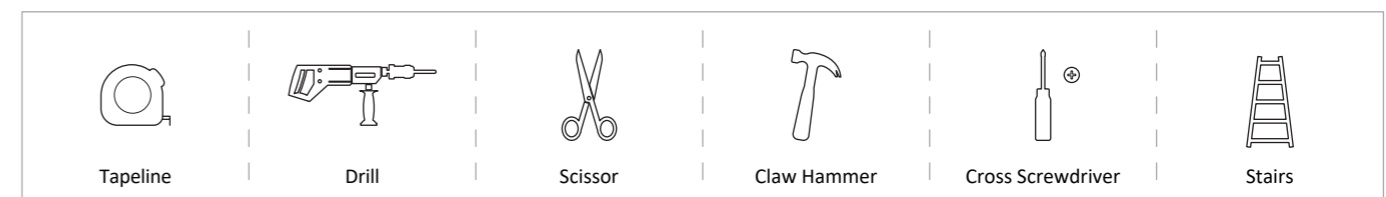
III. ASSEMBLY INSTRUCTIONS

1. Preparation

- Before you start, check the condition and quantity of all parts according to the parts list.

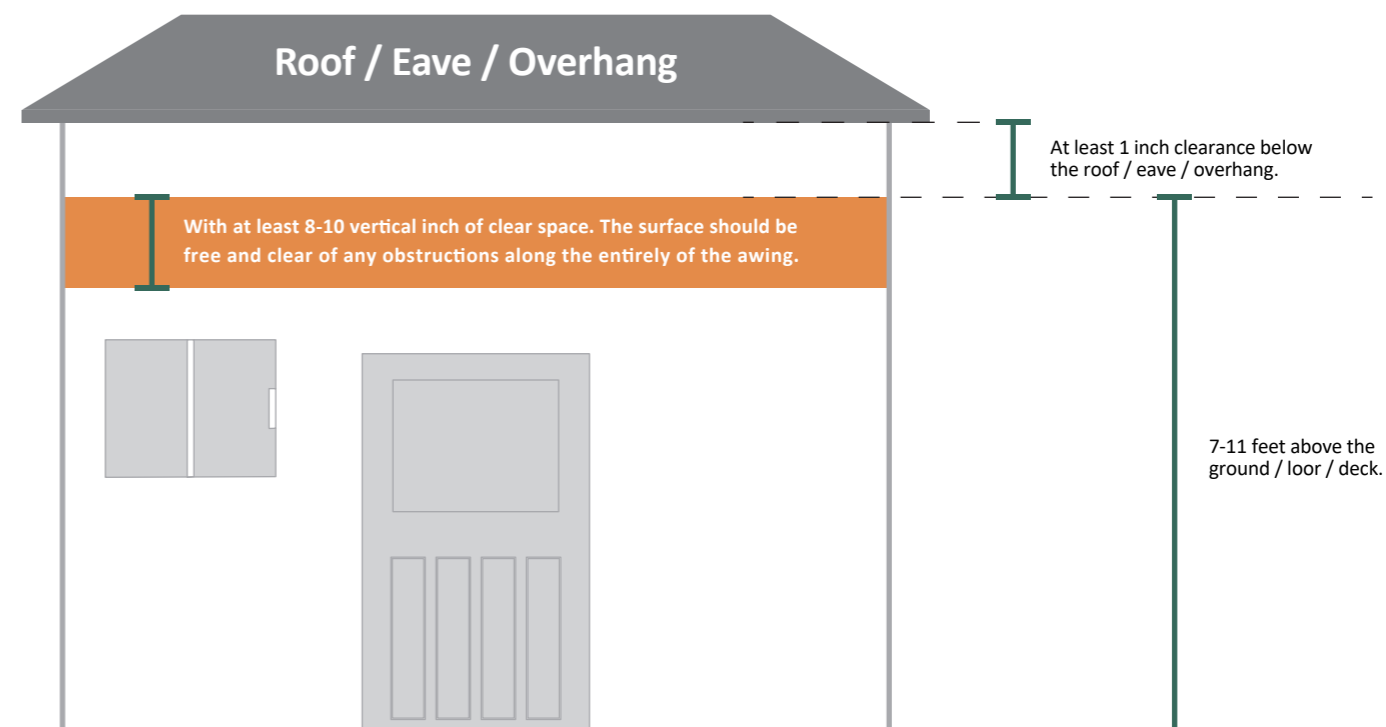
⚠ WARNING Do not remove the safety wrapping that holds the awning arms in place. Premature removal of the protective tape may cause the curved arm to pop open and cause serious injury.

- Please prepare all the necessary tools.

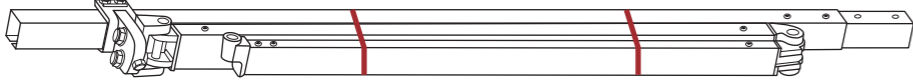

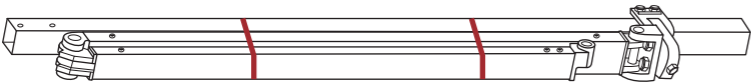
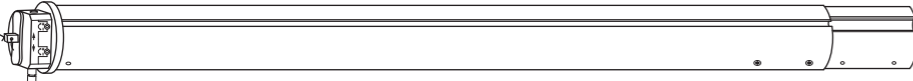

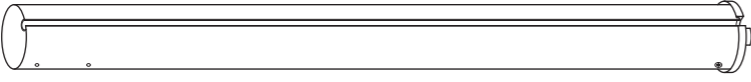



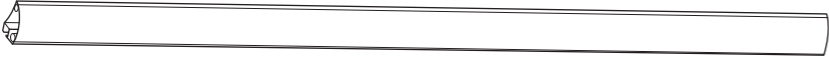




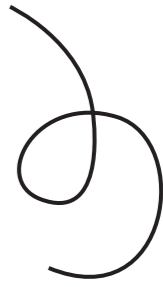

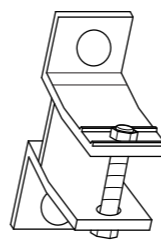


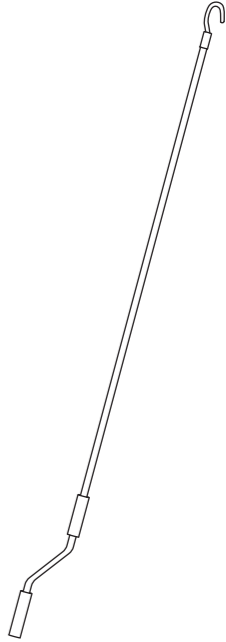
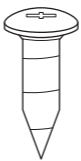

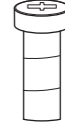
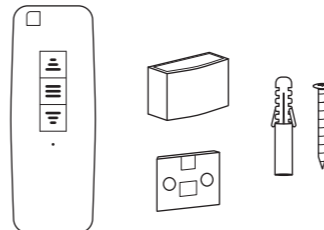

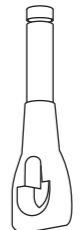
Determine where to install your Awning?

- Reference Location:

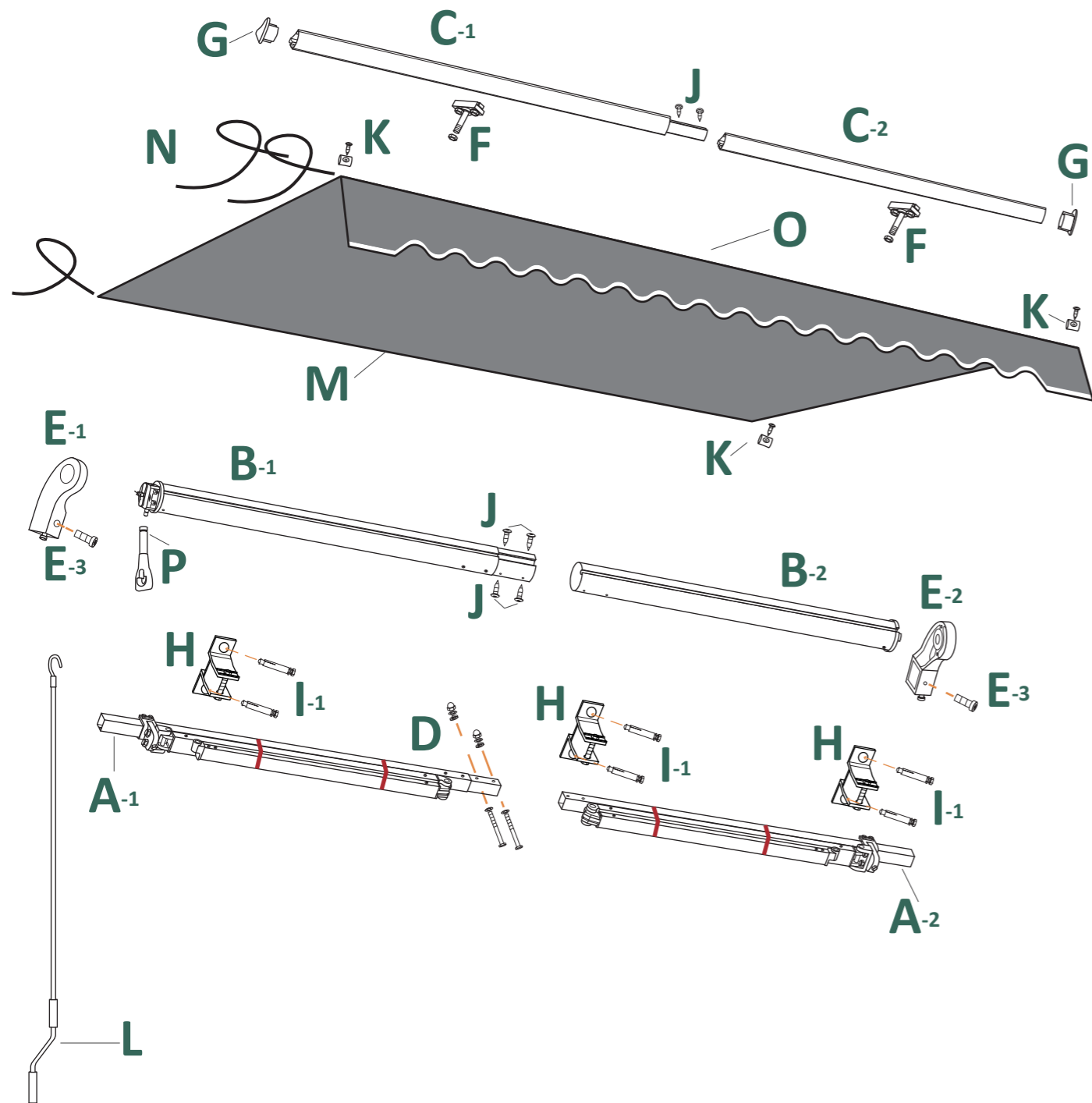


2. Part List

Torsion Bar	
<p>A-1</p>  <p>Torsion Bar with Arm (left) x1</p>	<p>D</p>  <p>Torsion Bar Screw x2 +1</p>
<p>A-2</p>  <p>Torsion Bar with Arm (right) x1</p>	
Roller	
<p>B-1</p>  <p>Roller (left) x1</p>	<p>E-1</p>  <p>Left Roller Support x1</p>
<p>B-2</p>  <p>Roller (right) x1</p>	<p>E-2</p>  <p>Right Roller Support x1</p>
Front Bar	
<p>C-1</p>  <p>Front Bar (left) x1</p>	<p>F</p>  <p>Arm Link x2</p>
<p>C-2</p>  <p>Front Bar (right) x1</p>	
<p>G</p>  <p>Plastic Cover of Front Bar x2</p>	

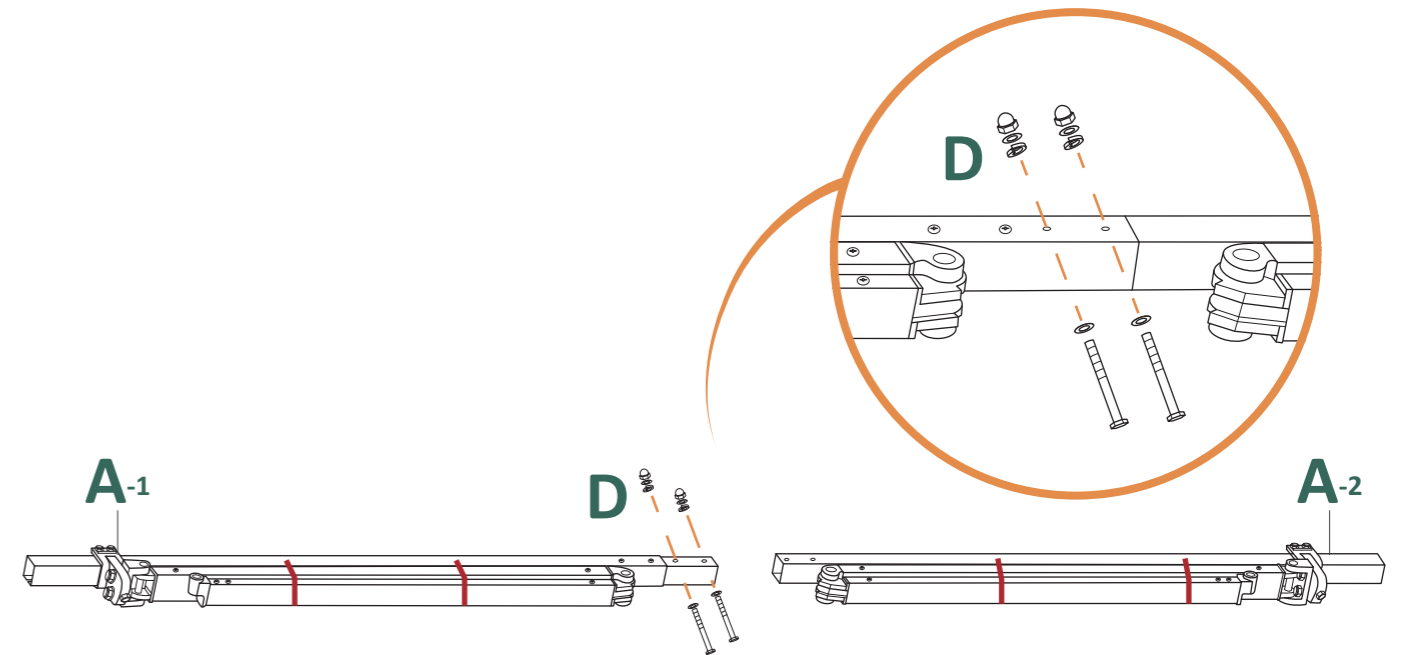
Fabric			
<p>M</p>  <p>Fabric x1</p>	<p>N</p>  <p>Fabric Guiding Wire x3</p>		<p>O</p>  <p>Valance x1</p>
<p>Other Accessories</p>			
<p>H</p>  <p>Wall Bracket Set x3</p>	<p>I-1</p>  <p>Expansion Bolts x6 +1</p>	<p>I-2</p>  <p>Wood Screw x6 +1</p>	<p>L</p>  <p>Hand Crank x1</p>
<p>J</p>  <p>Roller & Front Bar Screw x8 +1</p>	<p>K</p>  <p>Small Fabric Plug x3 +1</p>	<p>E-3</p>  <p>Roller Screw x2 +1</p>	
<p>Q</p>  <p>Remote Control</p>	<p>Q-1</p>  <p>Wrench x1</p>	<p>P</p>  <p>Hook x1</p>	

3. Parts Exploded View

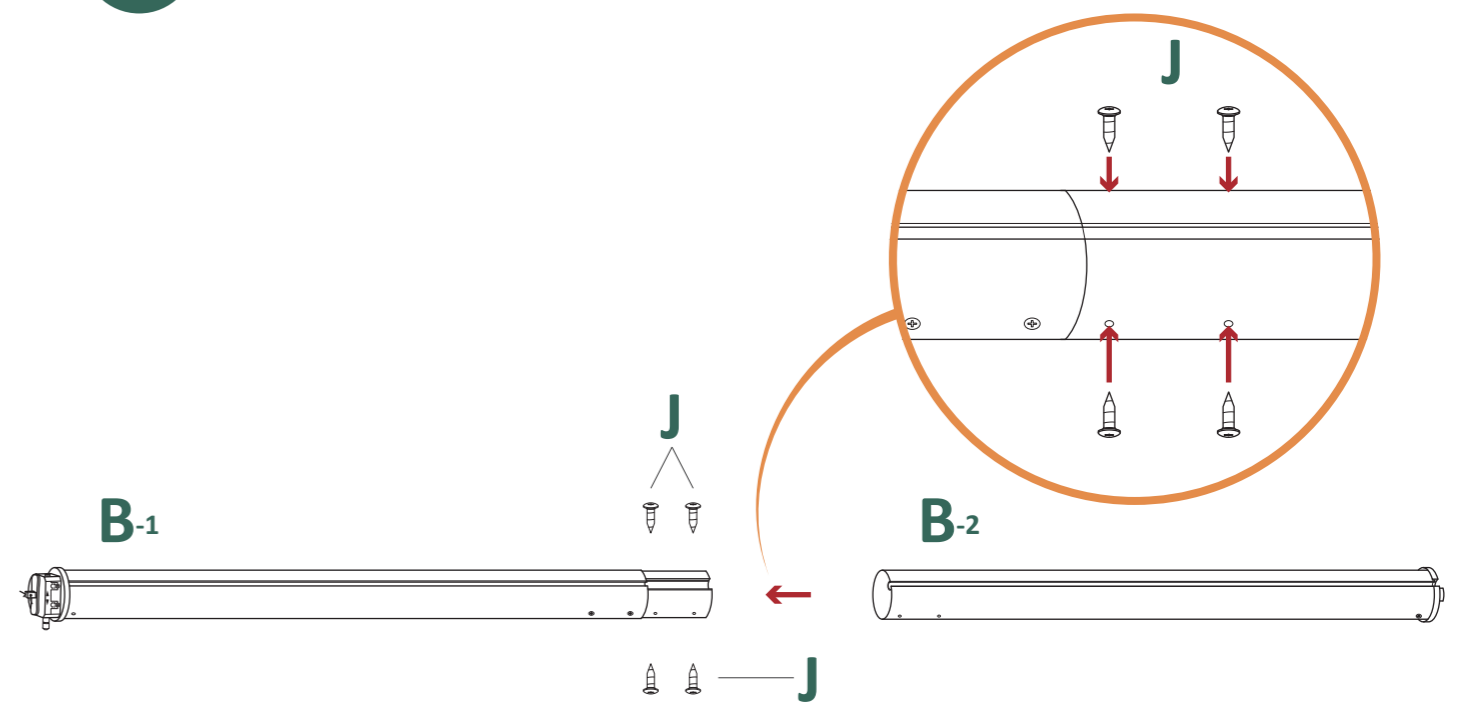


4. Assembly Steps

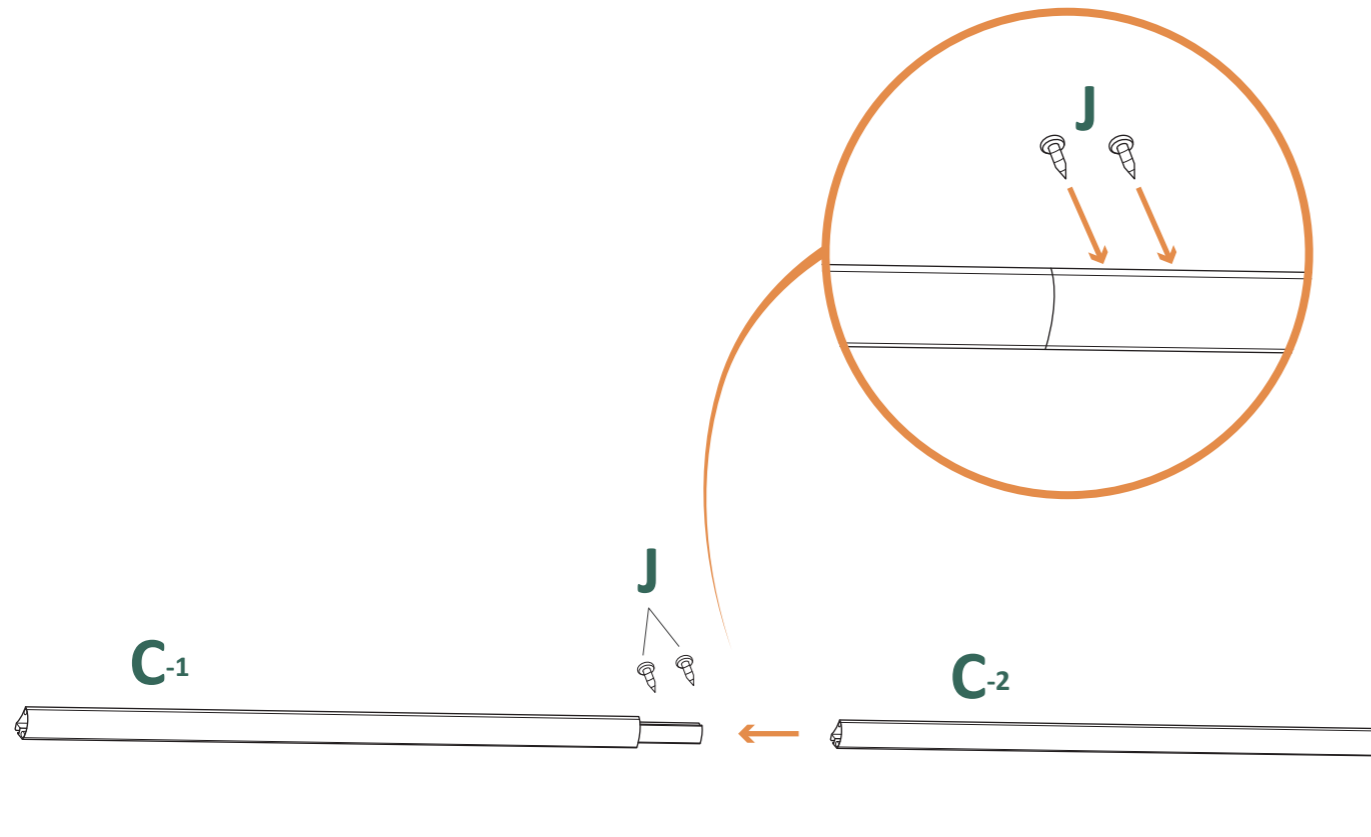
1 Fix left & right Torsion Bar with Arm (#A-1,#A-2) by Screws (#D).



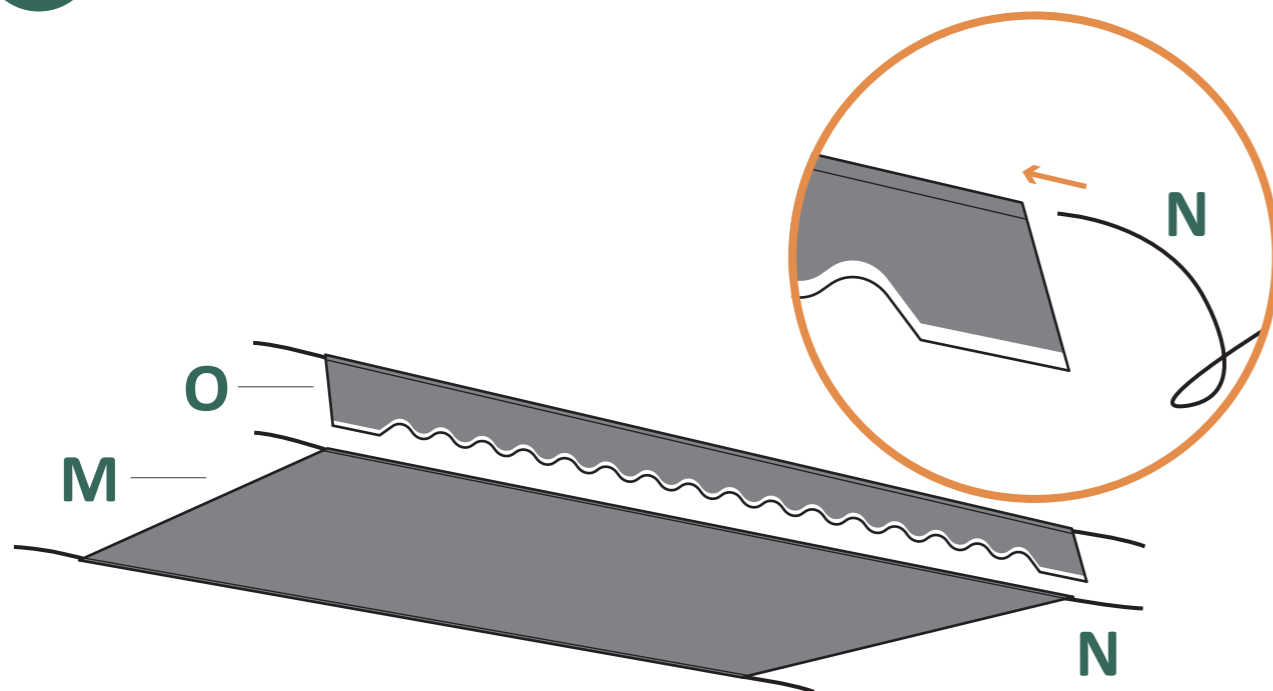
2 Connect left with right Roller (#B-1,#B-2) by Screws (#J).



3 Connect left with right Front Bar (#C-1,#C-2) by Screws (#J).

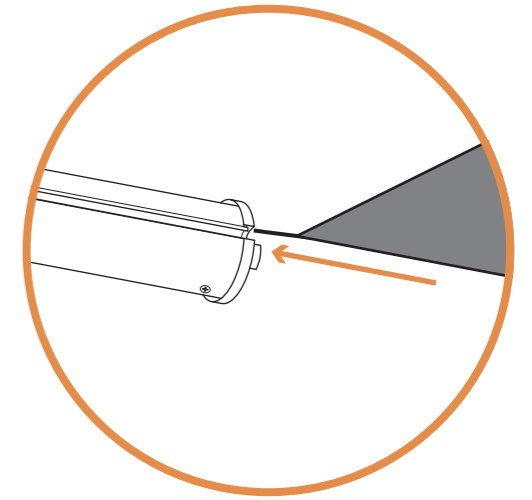


4 Thread three Guiding Wires (#N) through both ends of the large Fabric (#M) and side of Valance (#O).



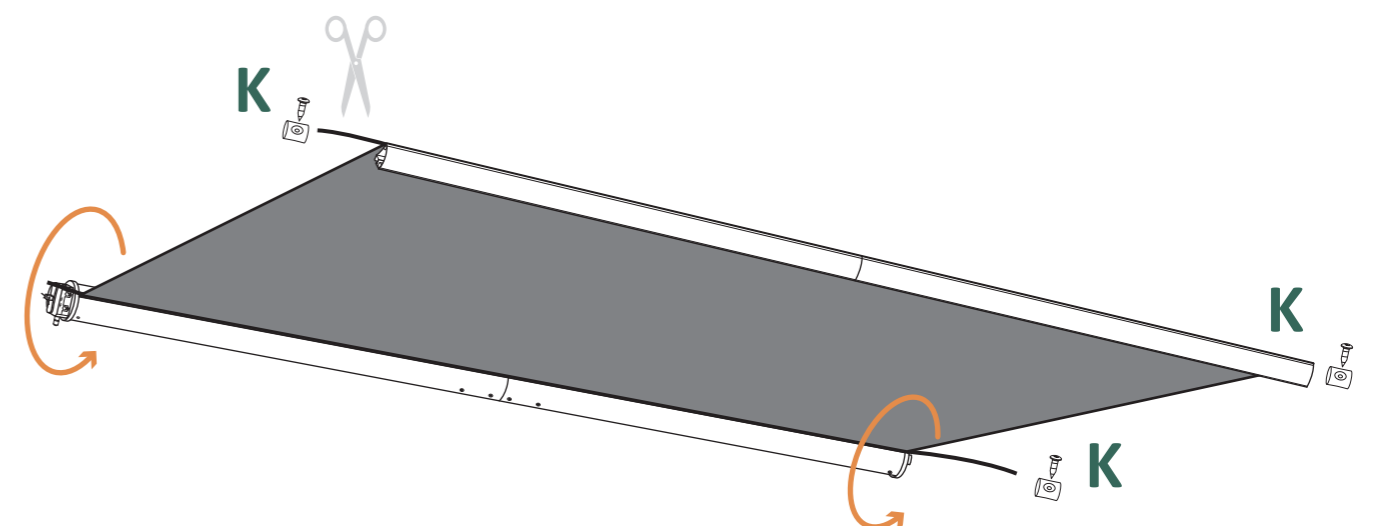
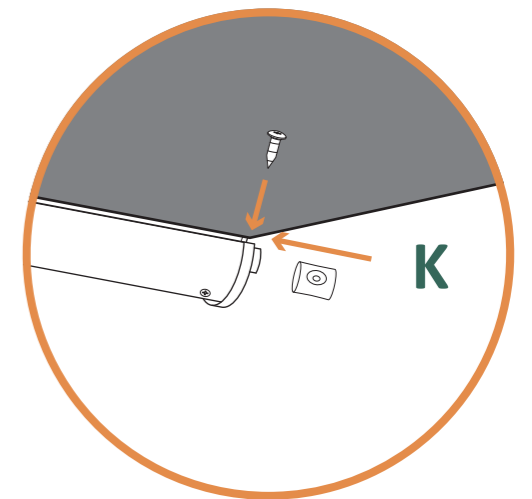
5 Install the Fabric.

(1). Pass two sides of Fabric (#M) which wearing Guiding Wires (#N) through the slot of long round Roller and Front Bar. Cutting off excess threads.

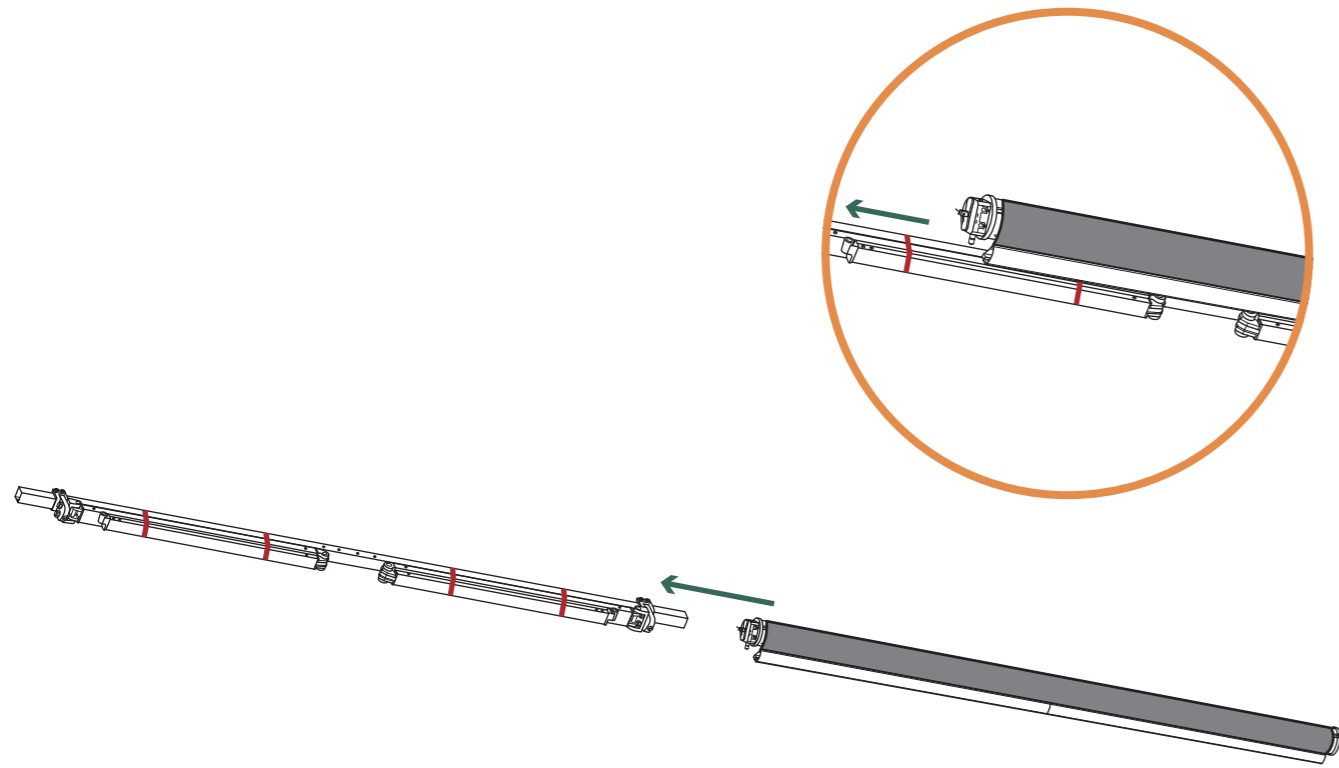


(2). Insert Fabric Plug (#K) respectively into two ends of Roller and Front Bar.

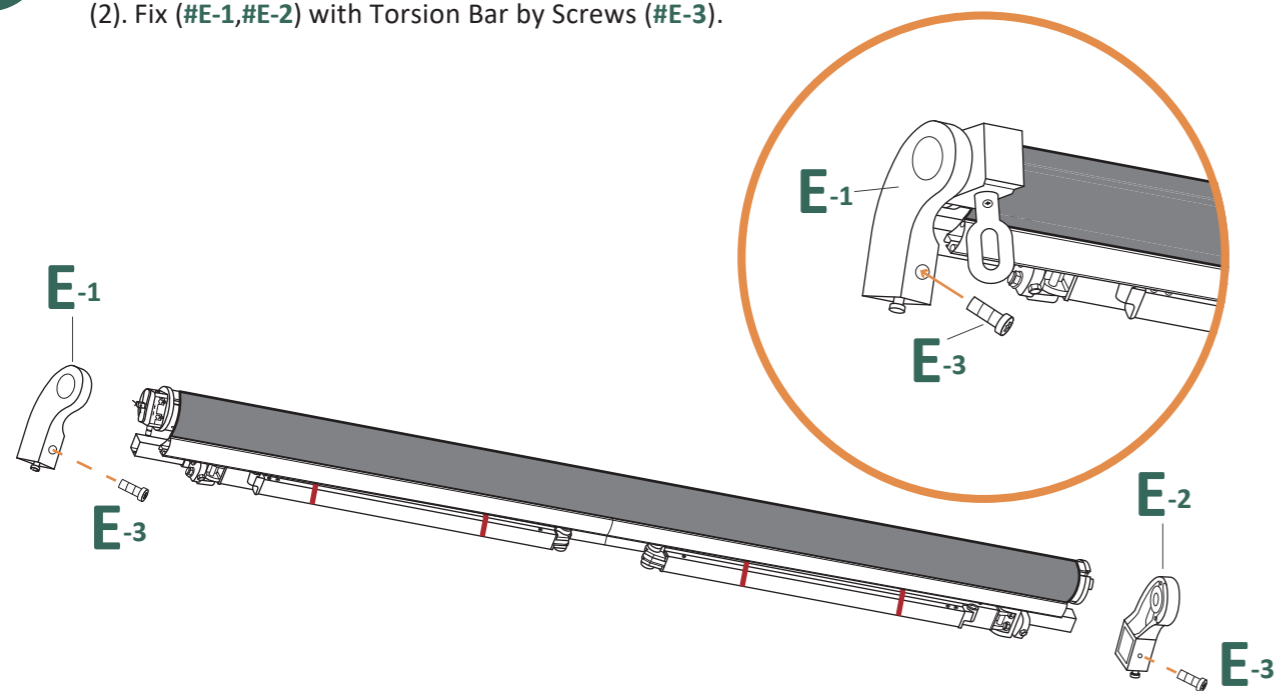
Then Rotate Roller counterclockwise so that Fabric (#M) is evenly wound around Roller.



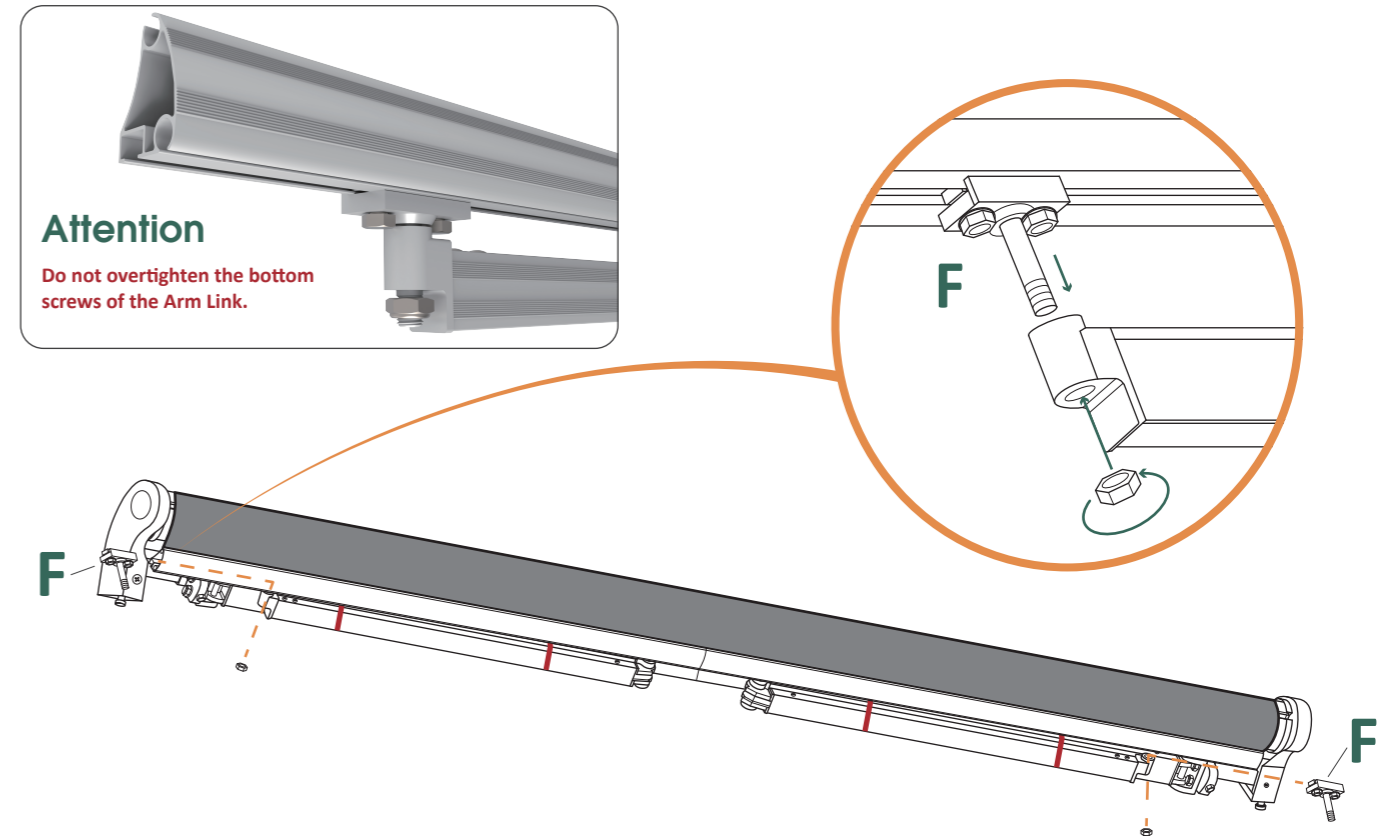
6 Put together rolled Roller from **step 5** with Torsion Bar from **step 1**.



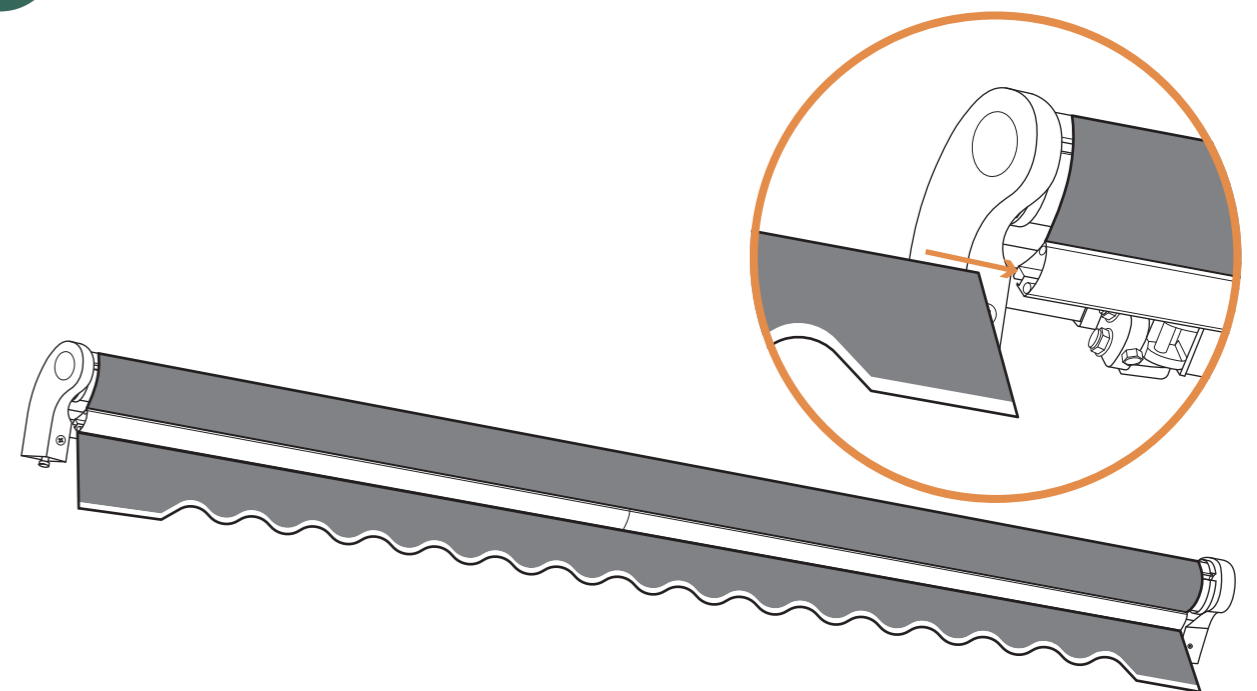
7 **Connect Roller with Torsion Bar.**
 (1). Sleeve Left & Right Roller Support (#E-1,#E-2) with two ends of Roller and Torsion Bar.
 (2). Fix (#E-1,#E-2) with Torsion Bar by Screws (#E-3).



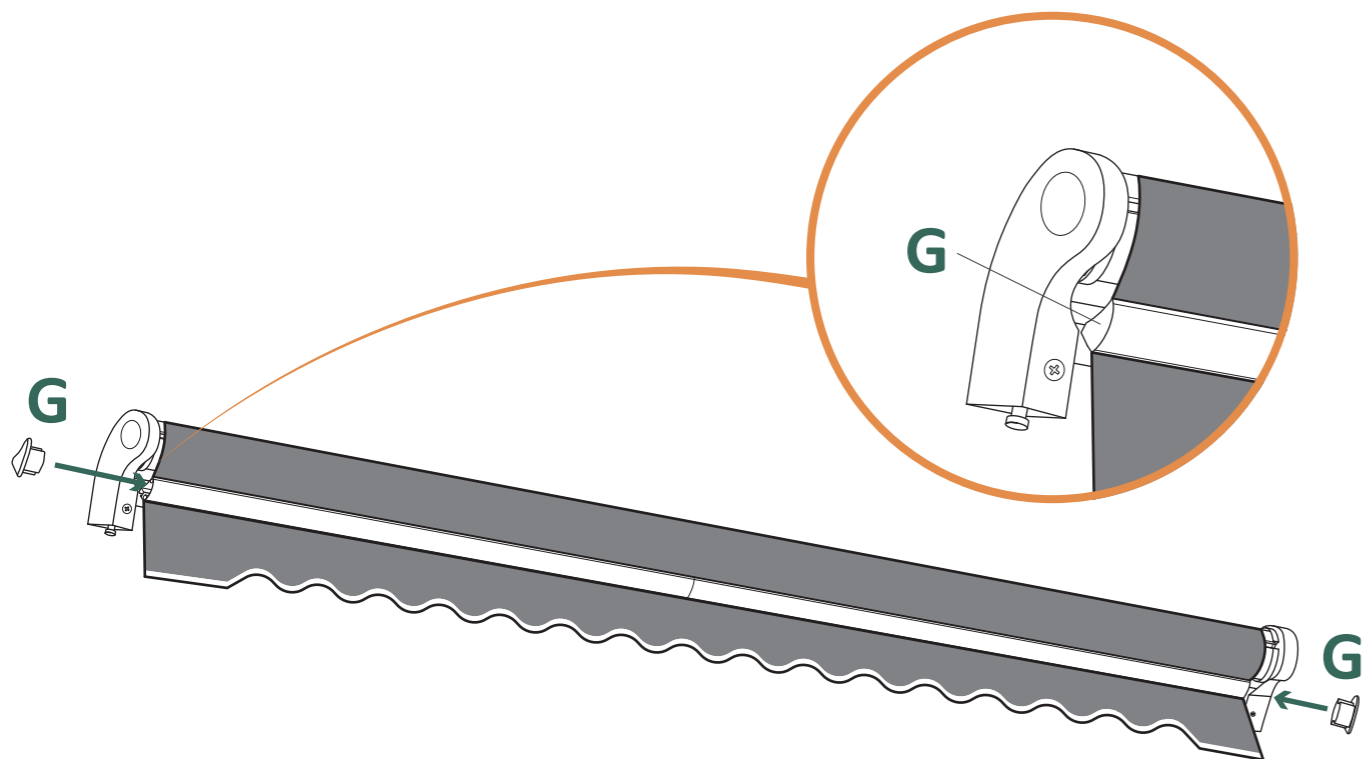
8 Slide the Arm Link (#F) into each end of Front Bar, then insert (#F) into holes in Torsion Bar.
Note: (1). If it is not good to slide in, you can loosen the two short screws a little.
 (2). Please tighten screws at the bottom of (#F).



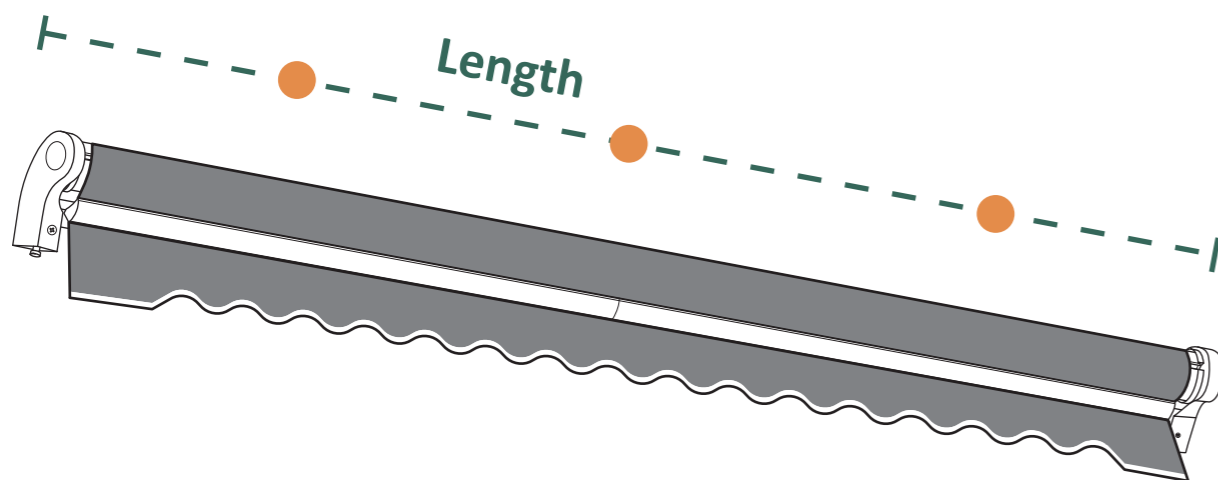
9 Thread (#O) with (#N) through the other slot of Front Bar.



10 Put Plastic Cover (#G) on ends of Front Bar.



11 Measure the total length of the canopy "Length".
Divide the total length roughly into four segments (find three points).

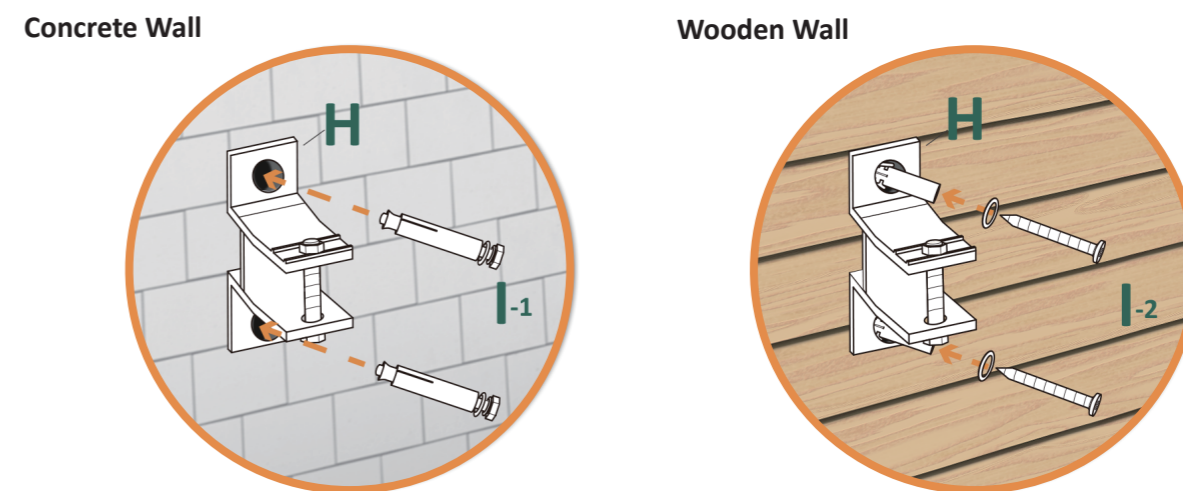


12 Mounting on the Wall:

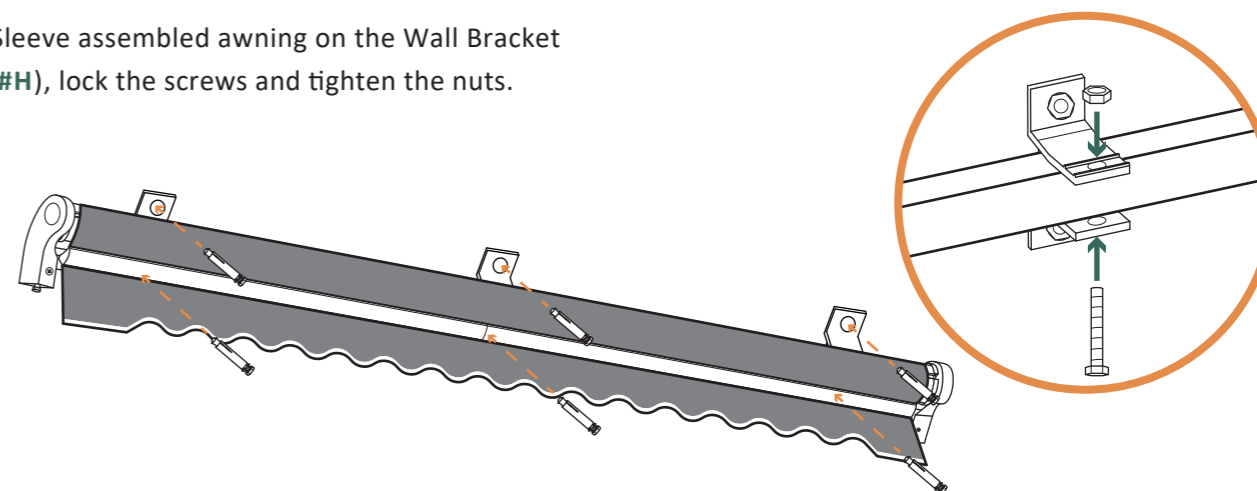
(1). Before installation, please determine the required drill bit diameter and hole depth based on your wall type.



(2). Secure the Wall Bracket (#H) with Expansion Bolts(#I-1) / Wood Screw (#I-2).

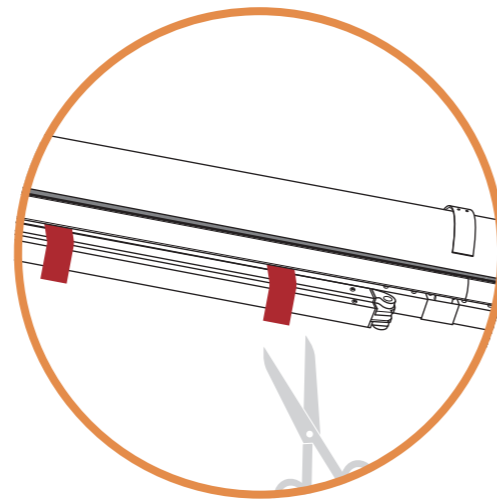


(3). Sleeve assembled awning on the Wall Bracket (#H), lock the screws and tighten the nuts.

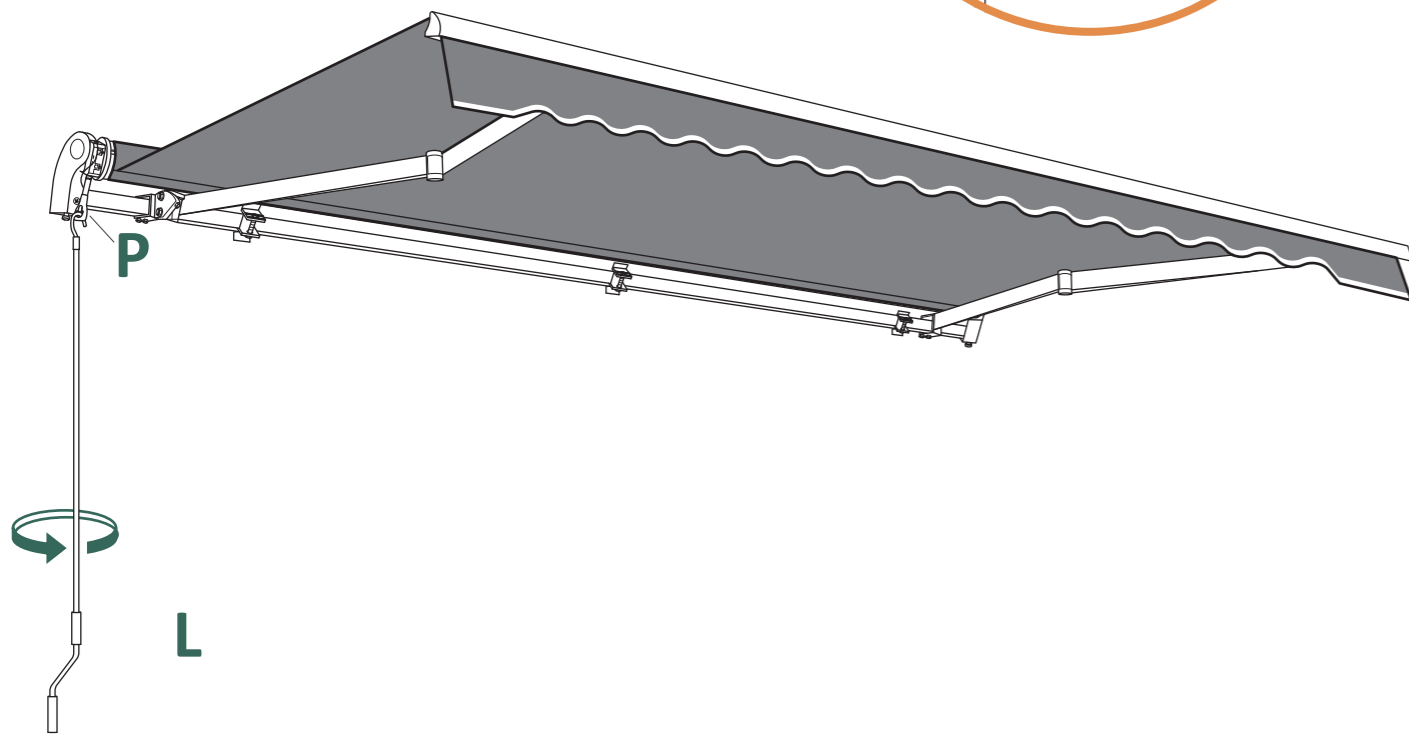
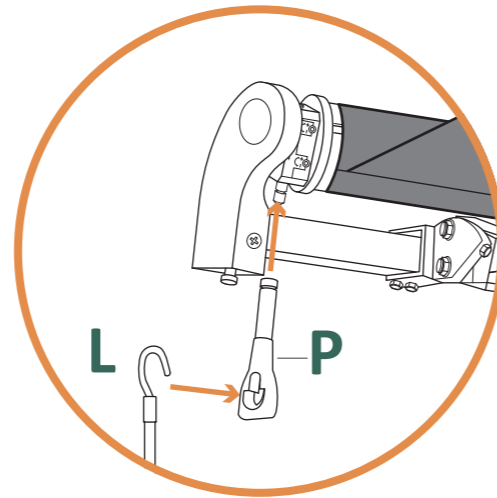


13 Hang the Hand Crank

(1). Cutting the safety packaging of the curved Arm.



(2). Hang the Hook (#P) and Hand Crank (#L) on the awning, then awning can be retracted by rotating the hand crank handle.

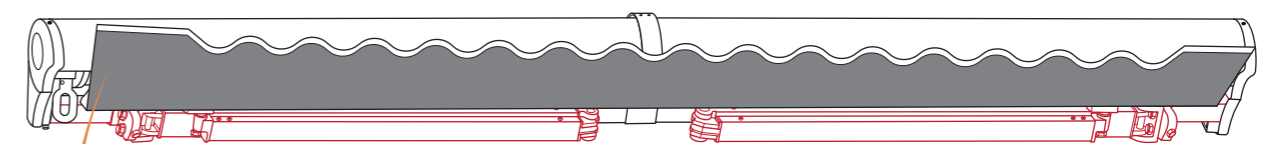


14 Check and Use Awning

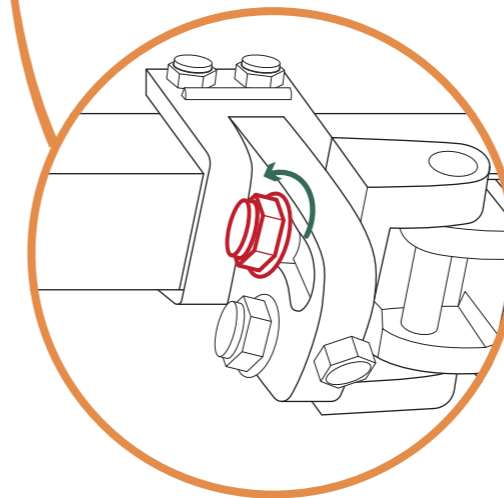
(1). How to balance your awning

If your awning appears to be one high and one low after installation, you can follow these steps to adjust it:

- ① First, please check all joints to ensure there are no loose or misaligned parts.
- ② Please check if the crank arm appears to be uneven in height, if so please select one of the jack bolts in each arm seat to loosen and manually adjust the height to match the other side. After adjustment, tighten the bolts to fix the crank arm.



Arm Crank Uneven

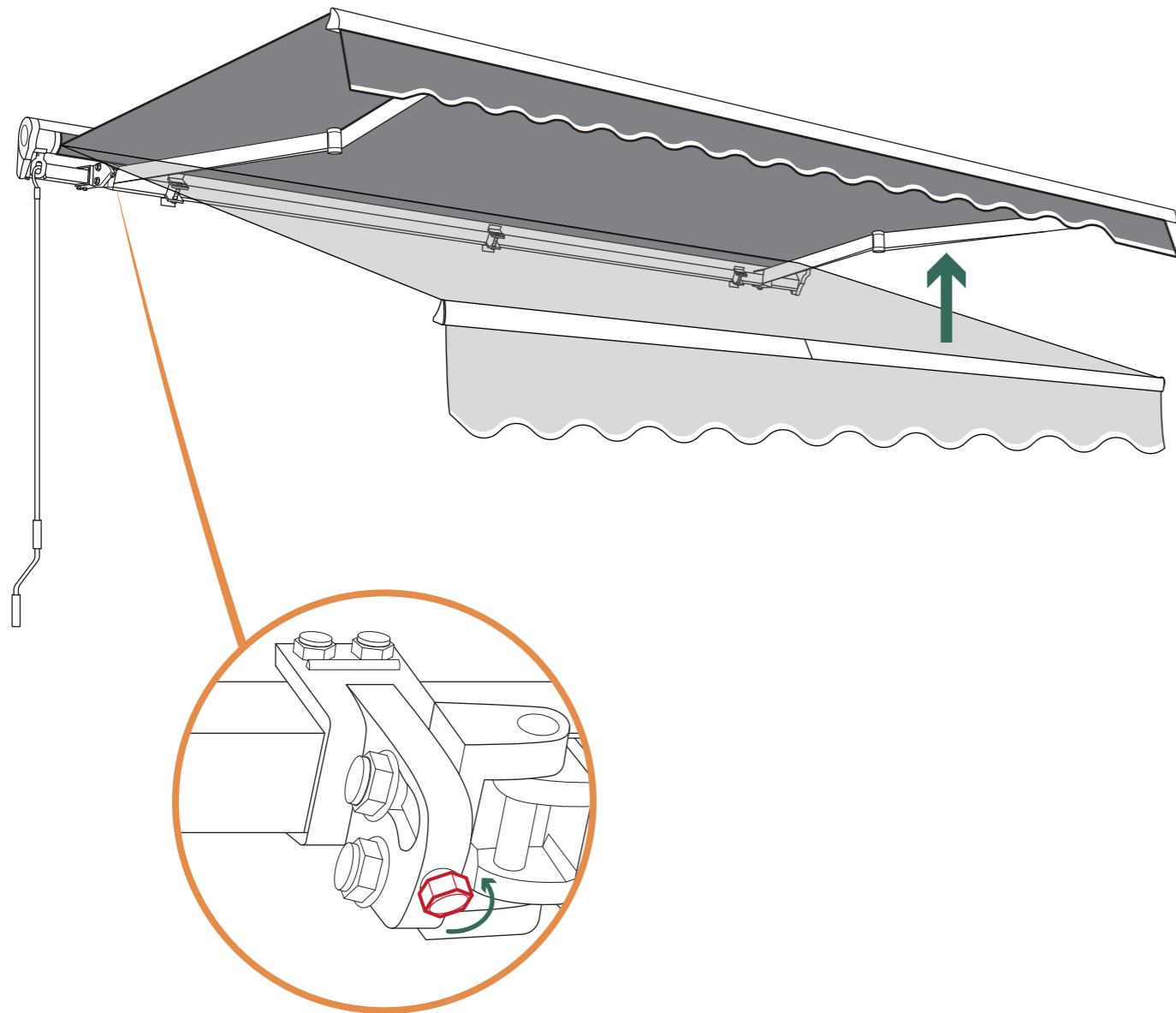


ATTENTION

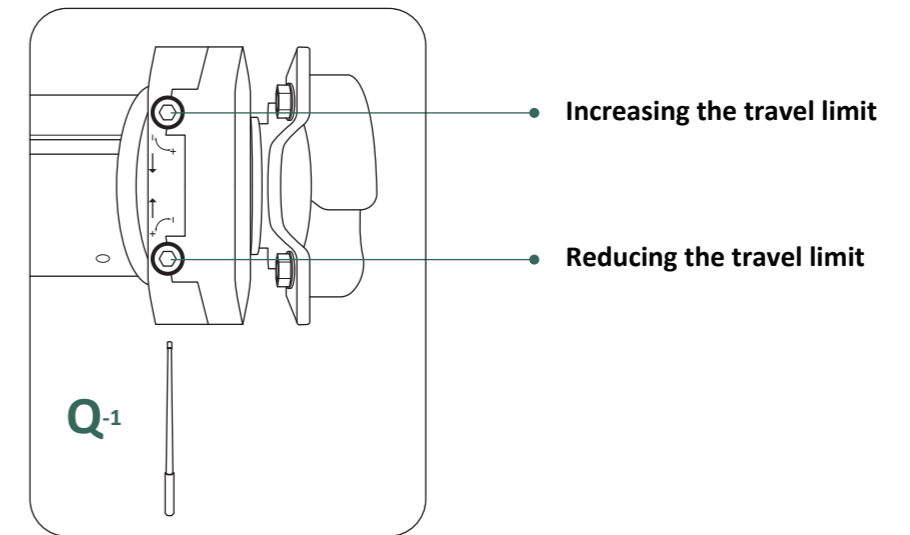
After the adjustments have been made, test the opening and closing functions of the awning to ensure that the fabric unfolds and closes smoothly without snags or twists.

(2). How to adjust the angle of the awning

Usually the tilt angle of the adjustable awning is preset to 30 degrees, if you want the awning fabric to tilt more to provide better shade you can screw the locking nut in to raise the fabric;
Conversely, if you want the fabric to tilt less you can screw the locking nut out to lower the fabric.



15 Adjusting Motor Travel



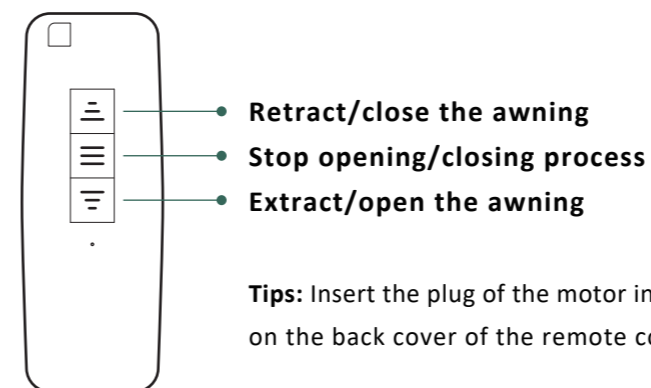
According to motor rotating direction, adjust the travel limit with the use of the 4mm hex wrench #Q-1.

Tips: The direction of "+" is increasing the travel limit and "-" is to reduce the travel limit.

After setting, open and close the awning with the remote control and check if the setting is satisfactory. If not, repeat step 3.

IV. ABOUT THE MOTOR

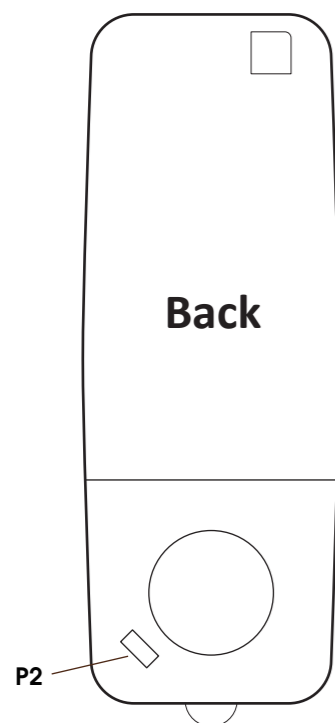
1. Remote Control



Front

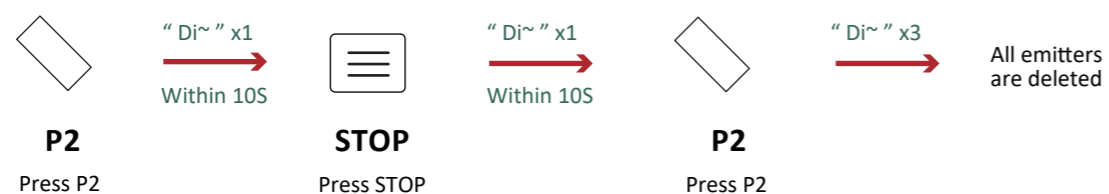
Tips: Insert the plug of the motor into the socket (rated voltage 110V) and pull out the toggle on the back cover of the remote control to turn on the power supply.

2. Re-initialization of the Remote Control

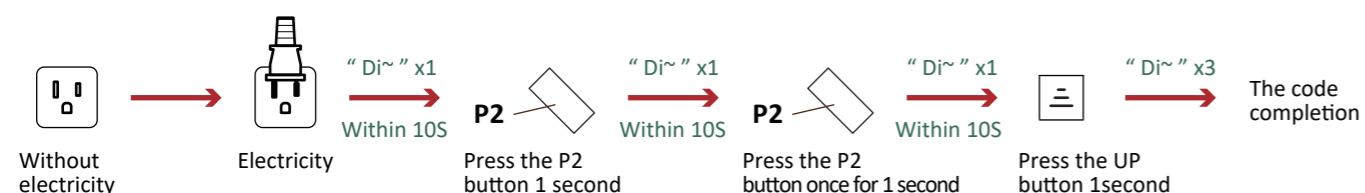


Tips: The motor and remote control are already coded and connected at the factory setting. If the motor does not respond when you operate the remote control, you can re-code it as follows.

(1). Deleting All Emitters



(2). Pairing



When the motor powers on, if the motor has been paired, the motor will beep; if the motor has not been paired, the motor will beep and jog.

ATTENTION

The motor's automatic protection function may be triggered by frequent operation, we recommend waiting **20 minutes** before re-energizing for optimal performance.

V. WARRANTY

■ Notice

- For product beyond the limited manufacturer warranty period and scope, MCombo® can also provide replacement service, but a basic charge will be charged according to the circumstances.
- The warranty only applies to MCombo® products and does not include any accessories or enhancements.
- Warranties are only valid in the 48 contiguous United States and are contingent upon the consumer operating the product according to the corresponding instruction manual.

Awning Frame	★ 1 Year
Awning Fabric	★ 6 Months

CONSUMER WARRANTY LIMITATIONS AND EXCLUSIONS

All warranties begin on the date of delivery.
All warranties are to the original purchaser from MCOMBO® ONLY.



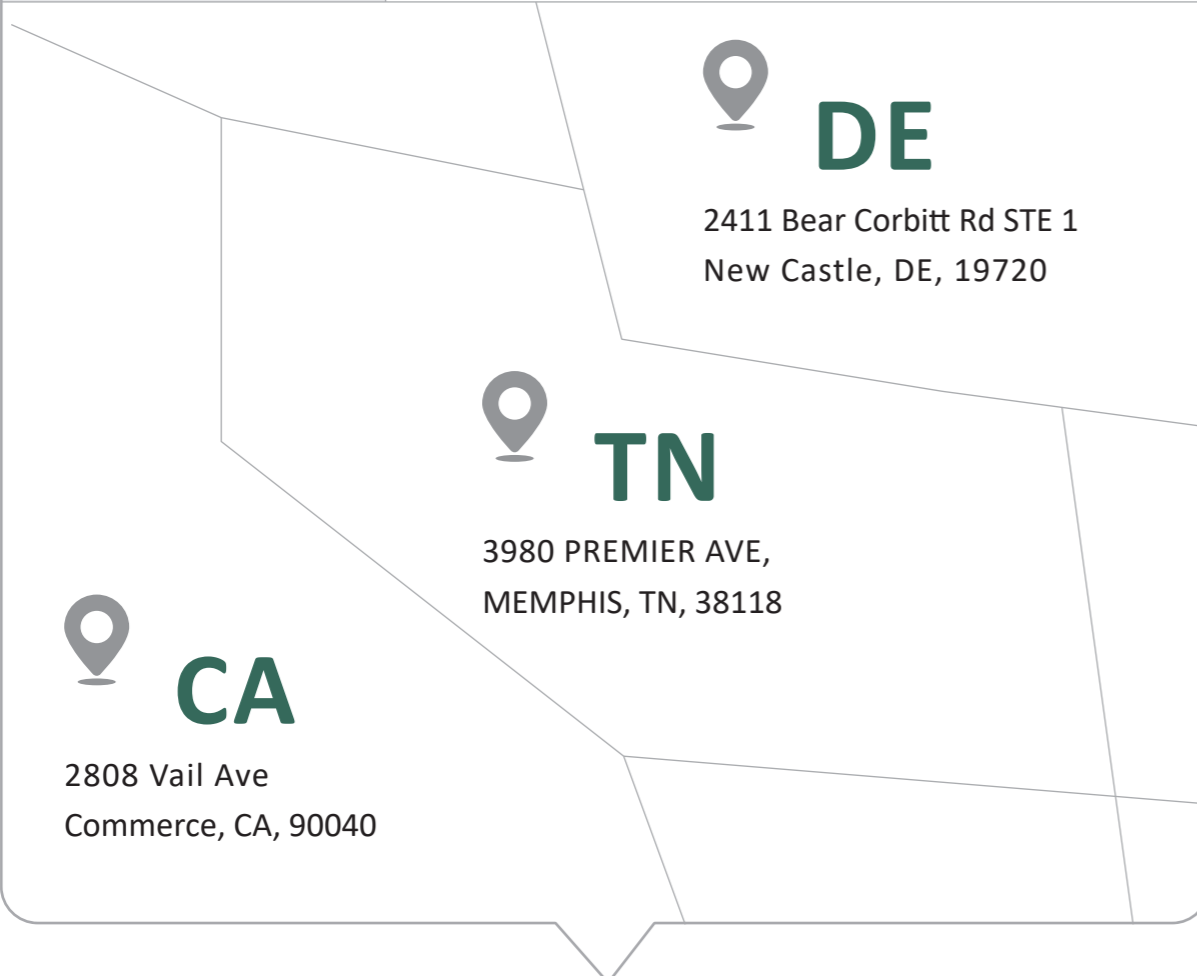
- MCOMBO® will replace the defective parts or send replacement product provided that the warranty parts have not been subjected to misuse, abuse or improper service by the consumer, for example, damaged wire arising in consequence of negligence or improper operation.
- Exclusions also include components with damage caused by:
 - Contamination
 - Abuse, misuse, accident, or negligence
 - Commercial use, or use other than normal
 - Improper operation, maintenance, or storage

NOTE:

MCOMBO® will pay standard shipping rates on all warranted parts for the first year. We can also sell you replacement part for a discount price when your product is out of warranty policy.

VI. MCOMBO CUSTOMER SUPPORT

If for any reason, we have fallen short of your expectations, or if you have any questions and suggests, please refer to the following contact information, we will do our best to work with you to make sure you are entirely satisfied.

	<p>sales@mcombo.com (Respond within 24 hours)</p>
	<p>302-660-1446 8:00 a.m. - 4:00 p.m. (Monday - Friday) TIME ZONE: PST</p>
 <div data-bbox="261 1556 552 1787"> <p>CA 2808 Vail Ave Commerce, CA, 90040</p> </div> <div data-bbox="641 1352 923 1583"> <p>TN 3980 PREMIER AVE, MEMPHIS, TN, 38118</p> </div> <div data-bbox="842 1045 1196 1276"> <p>DE 2411 Bear Corbitt Rd STE 1 New Castle, DE, 19720</p> </div>	

VII. RETURN/ REPLACEMENT POLICY

■ Notice

Why don't we recommend returning the item by yourself?

- Huge cost- UPS/FedEx oversize fee.
- Need you to take the box to UPS/FedEx facility.

Return/ Replacement Policy

MCOMBO®

You have 30 days from the date of purchase to return any item purchased from our store. Please securely pack the item in its original packaging, including any accessories or manuals that came with the product. To initiate a return, please contact our customer service team at sales@mcombo.com/ 302-660-1446 for any help.

Return Conditions

We accept the return of items that are in new, unused condition, with original tags attached and all original packaging and other components included. Refunds will be issued in the original form of payment for the price of the item, including taxes.

NOTE:

- Please keep the original packaging in case the product needs to be returned. If the original packaging is not available, the newly found packaging needs to meet the following size standard:
UPS/FedEx packaging size standard: (width+ height) * 2+ length < 128 inch.
- Please disassemble the product before you return it, otherwise there will be a huge cost as oversized and it could even exceed your order amount.
- Please do not purchase return label for a damaged/defective product by yourself.
- If you have any problem to return the product, please contact us immediately, we will do our best to help you with a reasonable solution.

