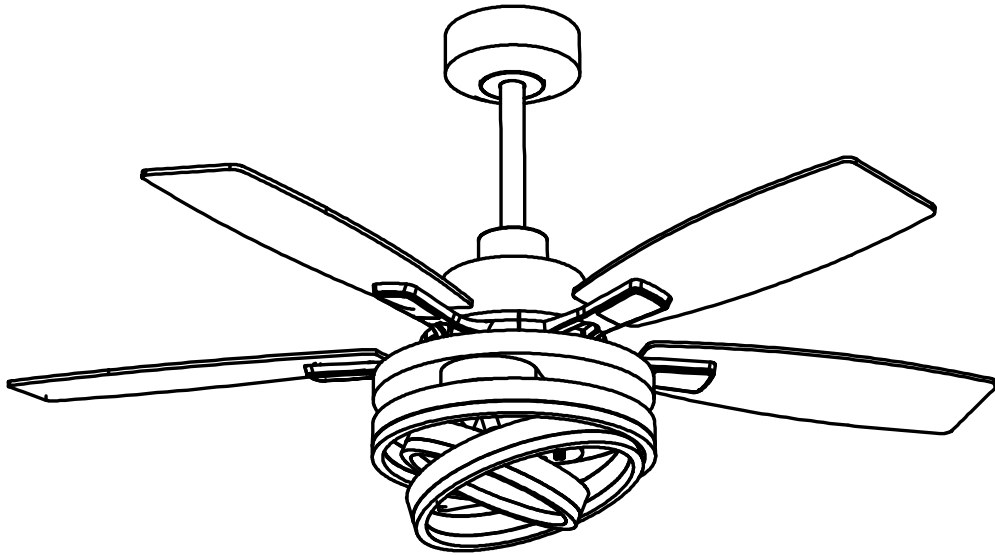


# Ceiling Fan With Light

---

## User Manual



## SAFTY RULES

1. Before starting, turn off the power to the fan at the main circuit panel to reduce the risk of electric shock.
2. All wiring must comply with local or national electrical codes and should be installed by a qualified electrician.
3. When handling fan parts with sharp edges, gloves may be necessary to avoid personal injury.
4. Ensure the installation site allows clear space for the blades to rotate and at least 7 feet (2.13 meters) of clearance between the floor and the tips of the fan blades. Mount the fan so that the tips of the blades are at least 18 inches (45.72 centimeters) from walls or other upright structures.
5. **WARNING:** Only mount the fan to an outlet box marked acceptable for fan support, and use the provided mounting screws. Most outlet boxes for lighting fixtures are unsuitable for fan support and may need replacement. Consult a qualified electrician if unsure.
6. The outlet box and ceiling support structure must be securely mounted and capable of supporting at least 45 kilograms.
7. Be cautious when working around or cleaning the fan to avoid personal injury or damage to the fan and other items.
8. Use a dry dust cloth or lightly dampened cloth for cleaning the fan or fan blades. Do not use water or detergents.
9. After making electrical connections, carefully push the spliced conductors upward into the outlet box. Spread the wires apart with the grounded conductor and equipment-grounding conductor on one side of the outlet box.
10. Electrical diagrams are for reference only.
11. The fan can be installed in indoor spaces or in covered outdoor areas such as patios, screened porches, and sunrooms.

## TOOLS REQUIRED



This manual is designed to make it as easy as possible for you to assemble, install, operate and maintain your ceiling fan.

## Materials

### WARNING

Before you start putting together your ceiling fan, be sure to check out the section on the correct wiring process for your fan (page 4). If you're not confident in your wiring skills or don't have enough experience, it's a good idea to have a licensed electrician install your fan for you

The wiring outlet box and box connectors should meet the specifications outlined in the local building code. For the minimum wire, a 3-conductor (2-wire with ground) of the appropriate size must be used as per the guidelines.

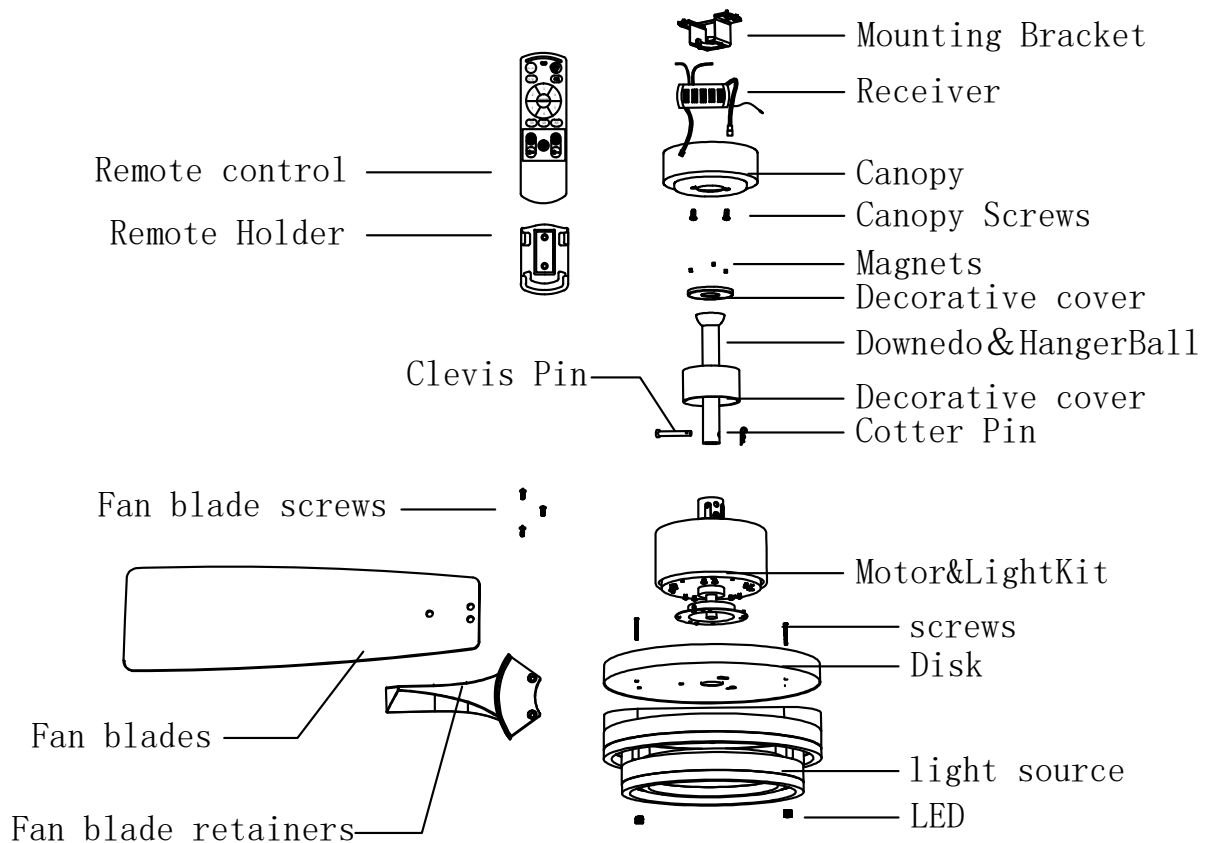
<u>Installed Wire Length</u>	<u>Wire Size A.W.G</u>
Up to 50 ft	14
50-100 ft	12

Note: Put loose parts into a small container to prevent loss. If you lose any parts, please contact a nearby hardware store.

## Package Includes

Check to see that you have received the following parts:

Note: Some parts are already installed on the fan, not all scattered



# INSTALL THE FAN

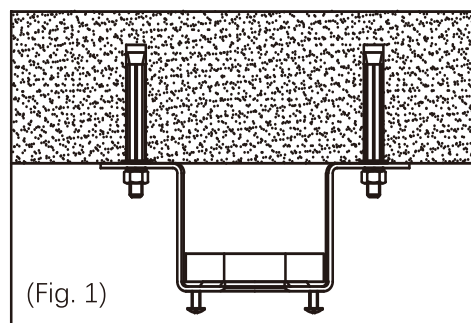
Tools Required: Phillips Screwdriver, Pair of Pliers, Straight slot screwdriver, Adjustable Wrench, Step Ladder and Wire Cutters.

## INSTALL THE MOUNTING BRACKET

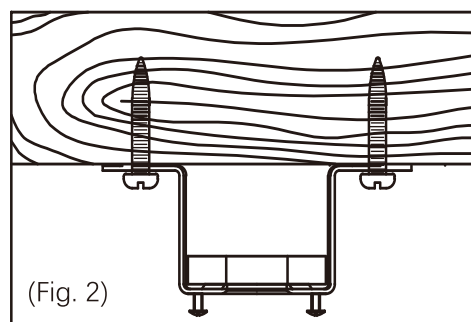
For your own safety and to prevent damage, please make sure that the blade has a clearance of 7 feet (2.13 meters) from the floor and 18 inches (45.72 centimeters) from any wall or obstacle at the hanging location.

If a CUL listed mounting box does not exist there, please follow the instructions below:

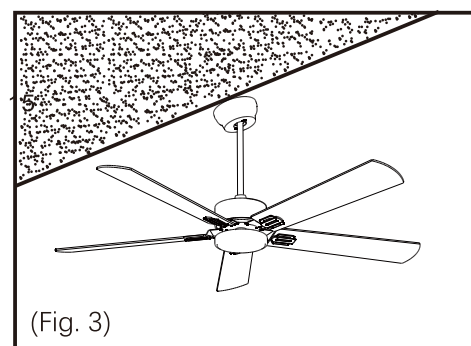
1. For the concrete ceiling: start by marking the location for it. Next, drill two holes in the ceiling to help secure the ceiling bracket using the two expansion screws provided. Finally, fasten the mounting bracket to the building structure using the two expansion screws provided, and tighten them securely. (Fig. 1)



2. For the wood ceiling: start by marking the location for the ceiling fan. Then, use the four wood screws provided to securely attach the mounting bracket to the building structure. (Fig.2)



3. Please see Fig.3 for instructions on how to mount when the ceiling is angled at a maximum of 15 degrees.



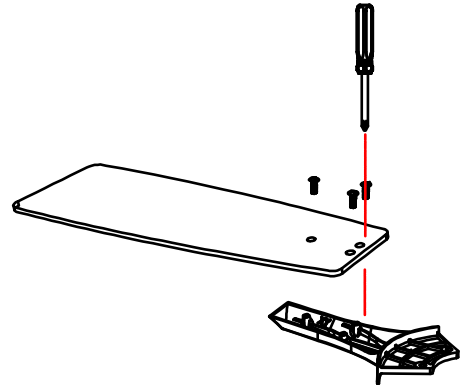
NOTE: The hanger installed must be capable of supporting a weight of 45 kg or more.

# Assemble Fan

---

1. Fix the fan blade with screws on the fan blade retainer.

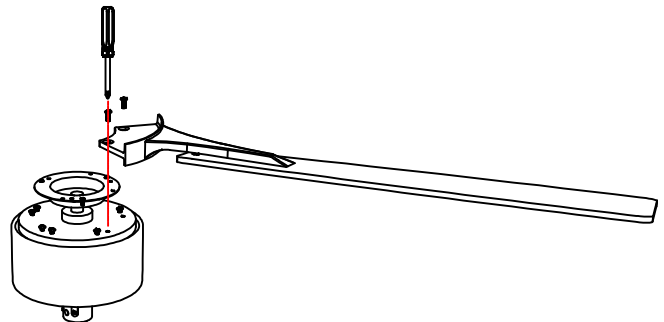
(Figure 1)



(Figure 1)

2. Fix the installed fan blades to the motor with screws

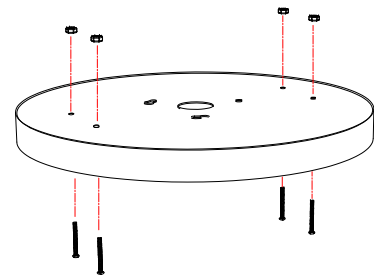
(Figure 2)



(Figure 2)

3. Fix the long screws on the disc with a nut and fix it for later use

(Figure 3)

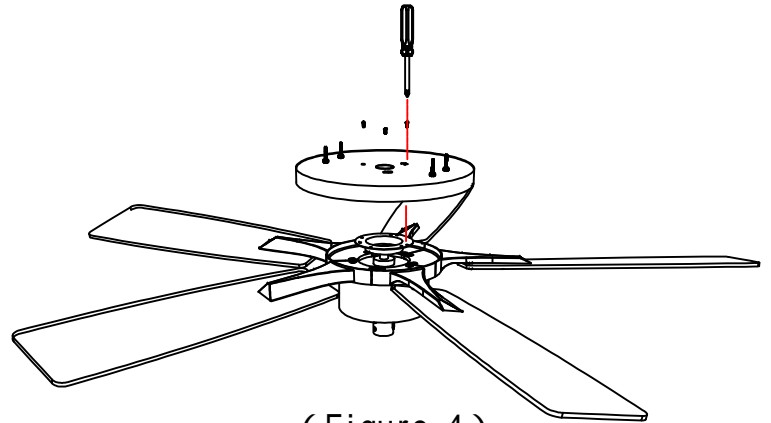


(Figure 3)

# Assemble Fan

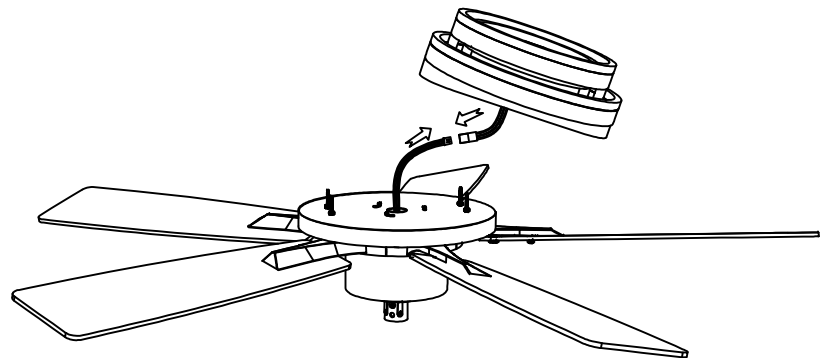
---

4. Then use screws to fix the mounted disc to the disc  
( Figure 4 )



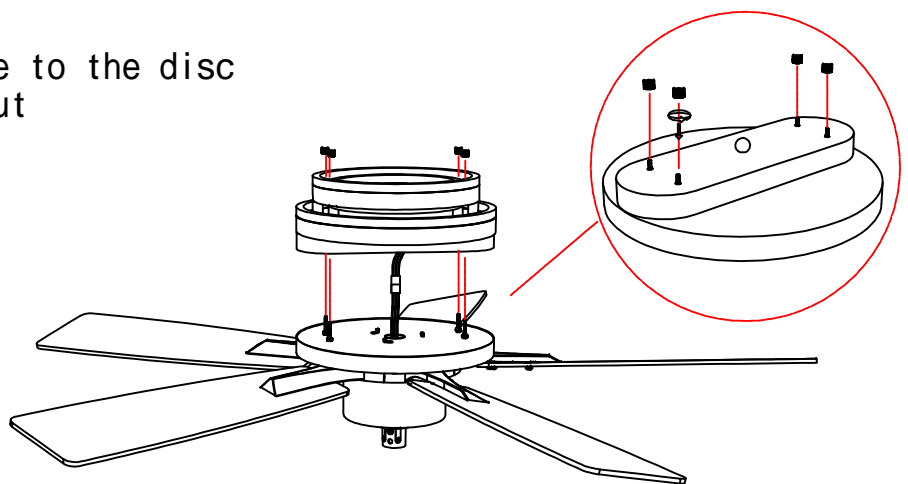
( Figure 4 )

5. The wires at both ends of the link are mated  
( Figure 5 )



( Figure 5 )

3. Fix the light source to the disc  
with a decorative nut  
( Figure 6 )



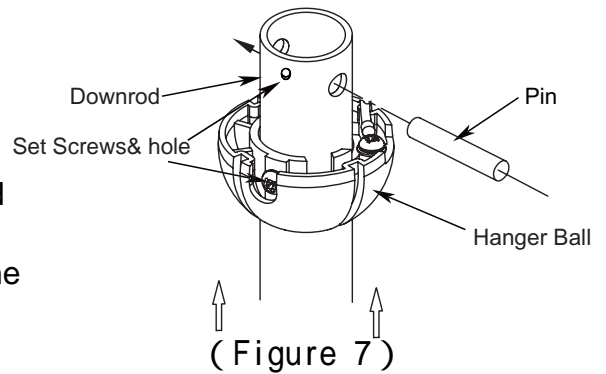
( Figure 6 )

# Assemble Fan

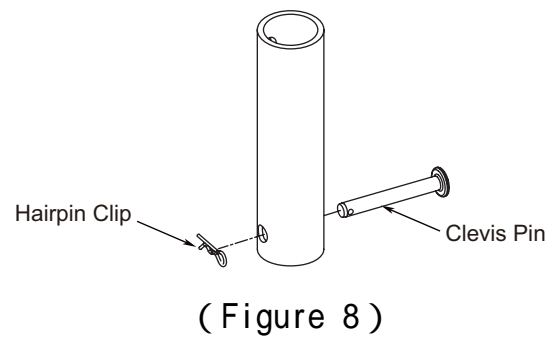
---

Insert the pin into the downrod, allowing the downrod to slide down, and secure the pin into the slot of the hanger Ball. Let the set screw through the ball into the hole on the downrod.

( Figure 7 )

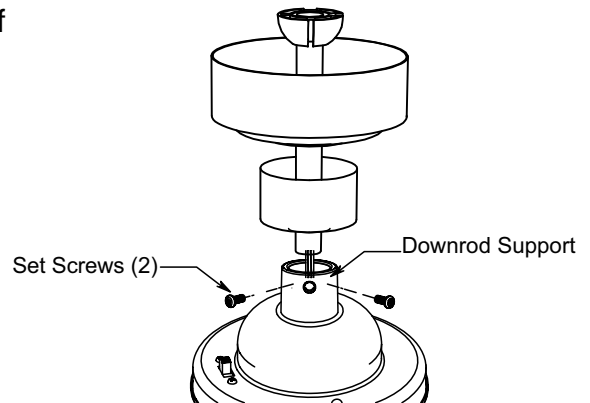


Remove the hairpin clip and clevis pin from the bottom of the downrod. Retain the pin and clip for reinstallation in Step 4. (Figure 8)



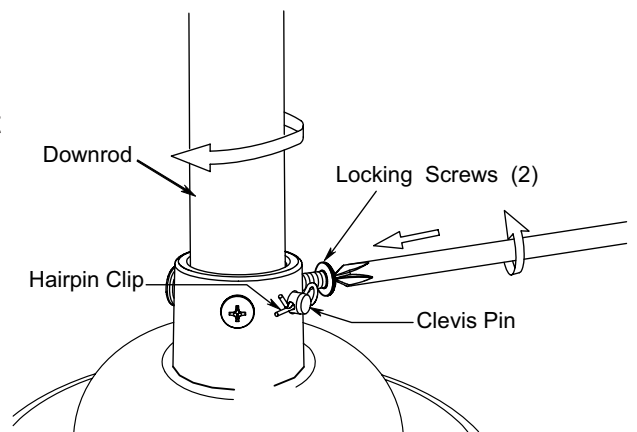
# Assemble Fan

Loosen the two set screws in the downrod support of the motor. Put the downrod through the canopy and the decor cover. Route all the wires through the downrod.( Figure 9 )



( Figure 9 )

Slid downrod into the downrod support on top of the motor. Install the clevis pin by aligning the holes in the downrod support with holes in the downrod. Secure clevis pin with hairpin clip. Tighten the two set screws in the downrod support. (Figure 10 )



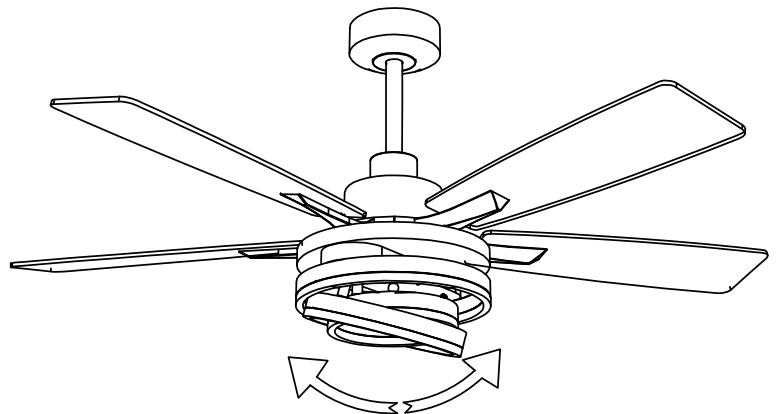
( Figure 10 )

## **⚠ WARNING**

It is critical that the clevis pin in the downrod support is properly installed and the set screws and nuts are securely tightened. Failure to do so could result in the fan falling.

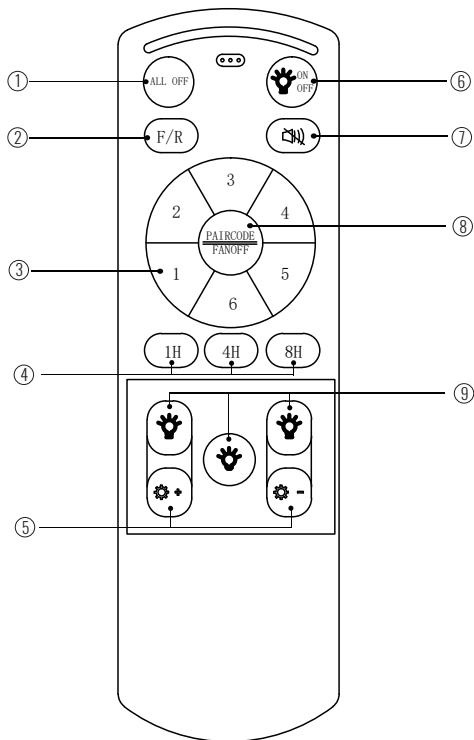
You can use your hands to swing the light source from side to side to pose as you like

( Figure 11 )



( Figure 11 )

# How to Operate Your ceiling Fan



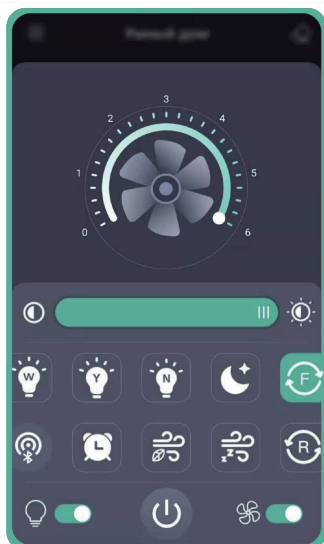
## NOTE:

Please insert 2 batteries before using.  
AAA 1.5V battery x 2pcs (not included)

- ①: Turn off the fan and light.
- ②: Alternate the fan's rotation between forward and reverse.
- ③: 1/2/3/4/5/6 for fan speeds.
- ④: 1H/4H/8H for timing the fan.
- ⑤: Press to +/- the brightness of the light.
- ⑥: Turn on/off the light.
- ⑦: Turn on/off sound.
- ⑧: Turn off the fan.
- ⑨: Press to quickly switch light colors.

## REMOTE SIGNAL PAIRING:

If the remote control loses the signal of the fan, turn off the power from wall switch, then turn it on, press ⑧ immediately for around 3 seconds, after the fixture beeps or flashes, then it's done.



- Pairing: Click the pair button within 5 seconds after turning on the fan from the wall switch. Once the fan flashes or beeps, it has been successfully paired with your phone and can now be controlled through the app.
- Slide the slider to change the fan speed.
- Slide the slider to change the brightness of the light.
- Quick switch for "White" light color.
- Quick switch for "Yellow" light color.
- Quick switch for "Natural" light color.
- Night mode: Dim the lights.
- Fan moves forward.
- Fan moves reverse.
- Change the direction of the wind, (Not supported)
- Timing the fan.
- Natural wind: The fan speed will change automatically when you use this function.
- Sleeping wind. (Not supported)
- Turn on/off the light.
- Turn on/off the fan.
- Unpairing: Click the unpair button within 5 seconds after turning on the fan. Once the fan flashes or beeps, it has been successfully unpaired from your phone.

# Troubleshooting

## **WARNING**

For your own safety turn off power at fuse box or circuit breaker before trouble shooting.

Trouble	Probable Cause	Suggested Remedy
<b>1. FAN WILL NOT START</b>	<ol style="list-style-type: none"><li>1. Fuse or circuit breaker blown.</li><li>2. Loose power line connections to the fan, or loose switch wire connections in the switch housing.</li><li>3. Dead battery in remote control.</li><li>4. Reversing switch in neutral position.</li></ol>	<ol style="list-style-type: none"><li>1. Check main and branch circuit fuses or circuit breakers.</li><li>2. Check line wire connections to fan and switch wire connections in the switch housings. <b>CAUTION:</b> Make sure main power is turned off !</li><li>3. Replace with new battery.</li><li>4. Make sure reversing switch position is all the way to one side.</li></ol>
<b>2. FAN SOUNDS NOISY</b>	<ol style="list-style-type: none"><li>1. Loose screws in motor housing.</li><li>2. Wire connectors inside housing rattling.</li><li>3. Motor noise caused by solid state variable speed control.</li></ol>	<ol style="list-style-type: none"><li>1. Check to make sure all screws in motor housing are snug (do not overtighten).</li><li>2. Check to make sure wire connectors in switch housing are not rattling against each other or against the interior wall of the switch housing. <b>CAUTION:</b> Make sure main power is turned off!</li><li>3. Some fan motors are sensitive to signals from solid-state variable speed controls. Solid-state control are not recommended, choose an alternative control method.</li></ol>
<b>3. FAN WOBBLER EXCESSIVELY</b>	<ol style="list-style-type: none"><li>1. Setscrew in downrod support is loose.</li><li>2. Setscrew in downrod/hanger ball assembly is loose.</li><li>3. Hanger bracket and/or ceiling outlet box is not securely fastened.</li></ol>	<ol style="list-style-type: none"><li>1. Tighten both setscrews securely in downrod support.</li><li>2. Tighten the setscrew in the hanging plate assembly.</li><li>3. Tighten the hanger bracket screws to the outlet box, and secure outlet box.</li></ol>

# Maintenance

---

1. Regularly cleaning your new ceiling fan is all that's needed to keep it in good condition. To clean it, simply use a soft brush or lint-free cloth to avoid scratching the surface. You don't need to use any harsh cleaning products, as they could damage the finish.

Avoid using water to clean your ceiling fan as it may harm the motor or the surface and pose a risk of electric shock.

# Warranty

---

Dear valued customer,

Assures you that this product is free from any material and workmanship defects for a period of 1 year from the date of purchase. Please note that this warranty will not apply if the product has been mishandled, accidentally damaged, or used in any way other than intended.