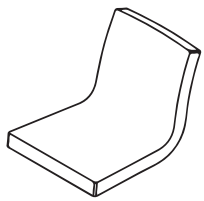
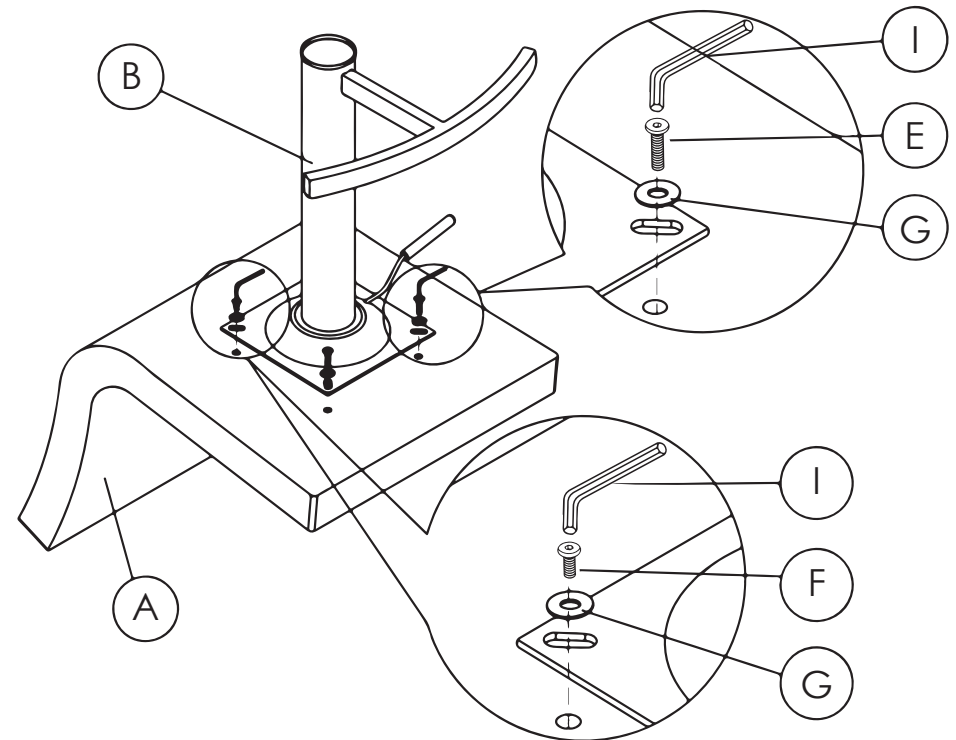


PLEASE NOTE: Check that you have received all components and hardware before assembling.

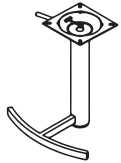
## Assembly Instructions Adjustable Bar/Counter Stool



1



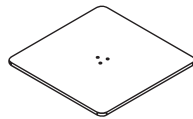
A (1 pc)



B (1 pc)



C (1 pc)



D (1 pc)



E (2 pcs)  
1x25mm



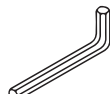
F (2 pcs)  
1x16mm



G (4 pcs)



H (3 pcs)  
1.25x35mm



I (1 pc)  
4mm



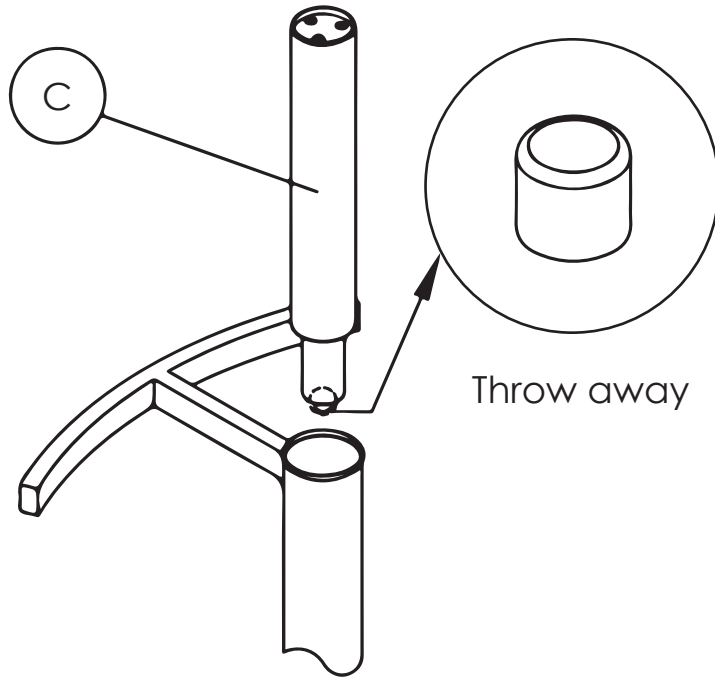
J (1 pc)  
5mm

During assembly, hand tighten screws only. When the screws are in place, tighten completely.

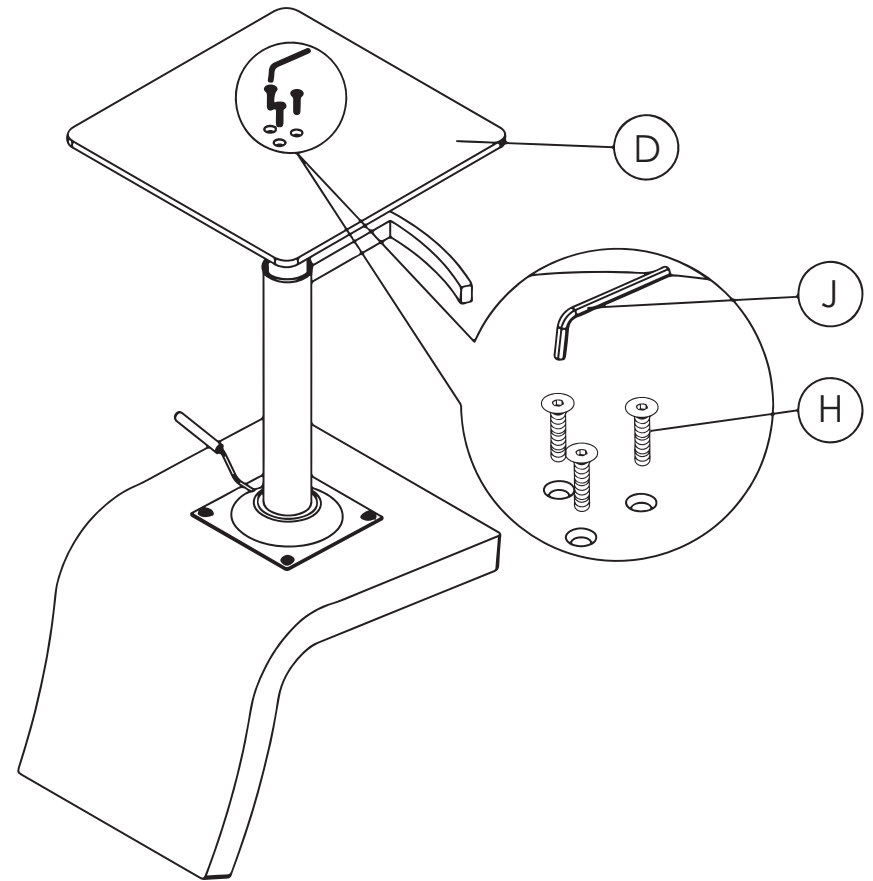
PLEASE NOTE: Check that you have received all components and hardware before assembling.

## Assembly Instructions Adjustable Bar/Counter Stool

2



3



During assembly, hand tighten screws only. When the screws are in place, tighten completely.